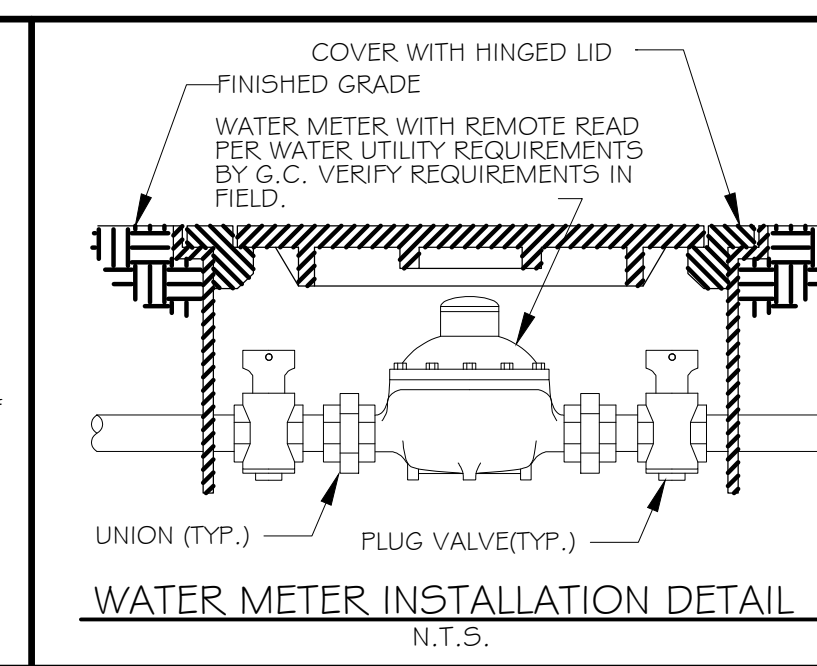
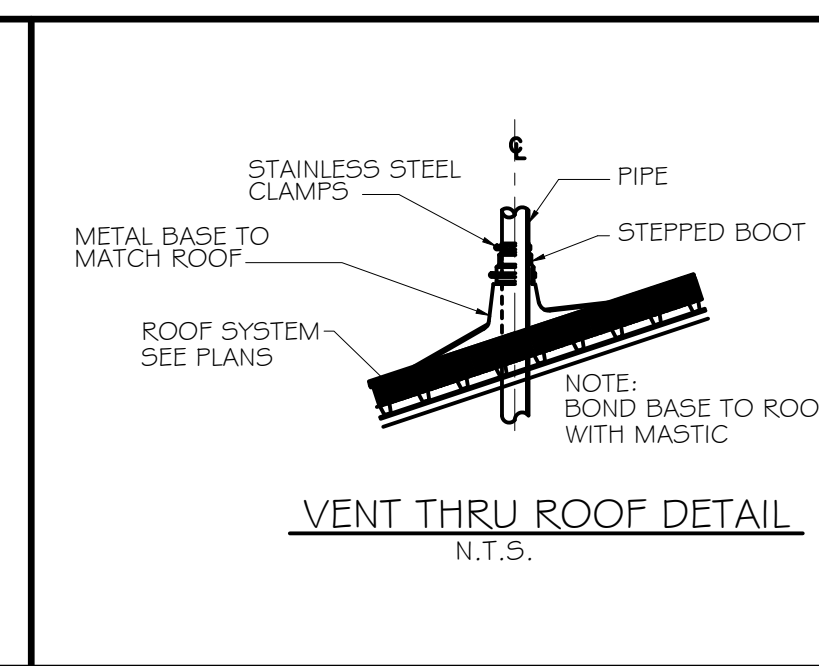
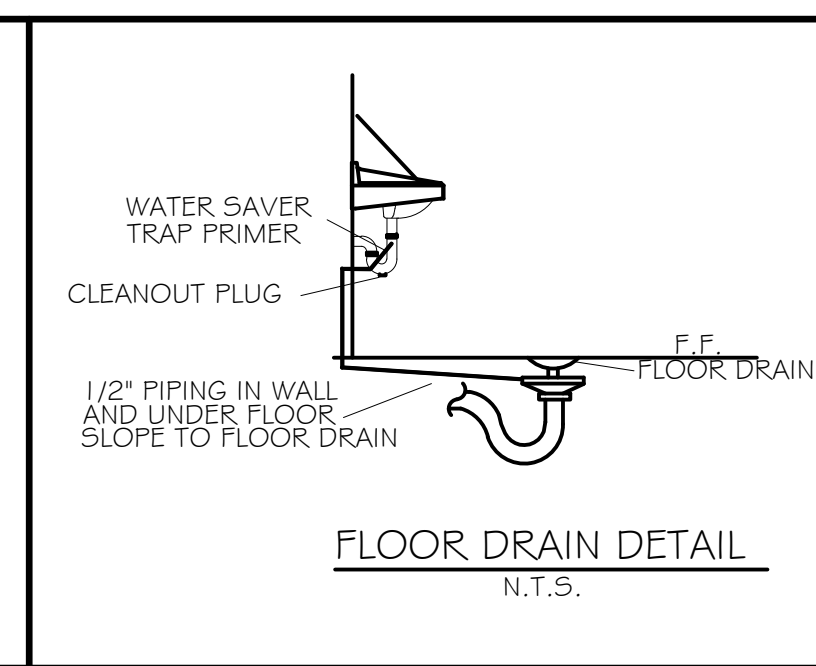
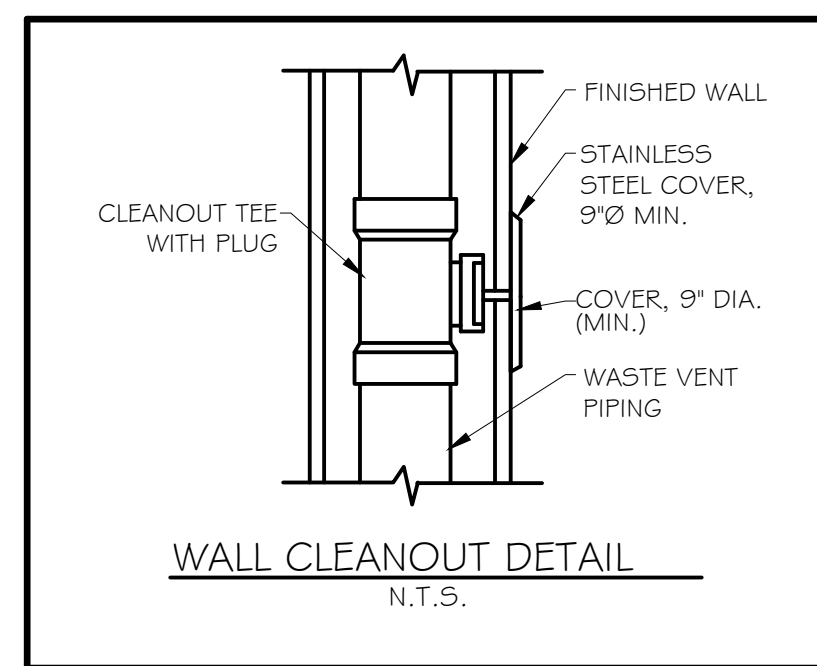
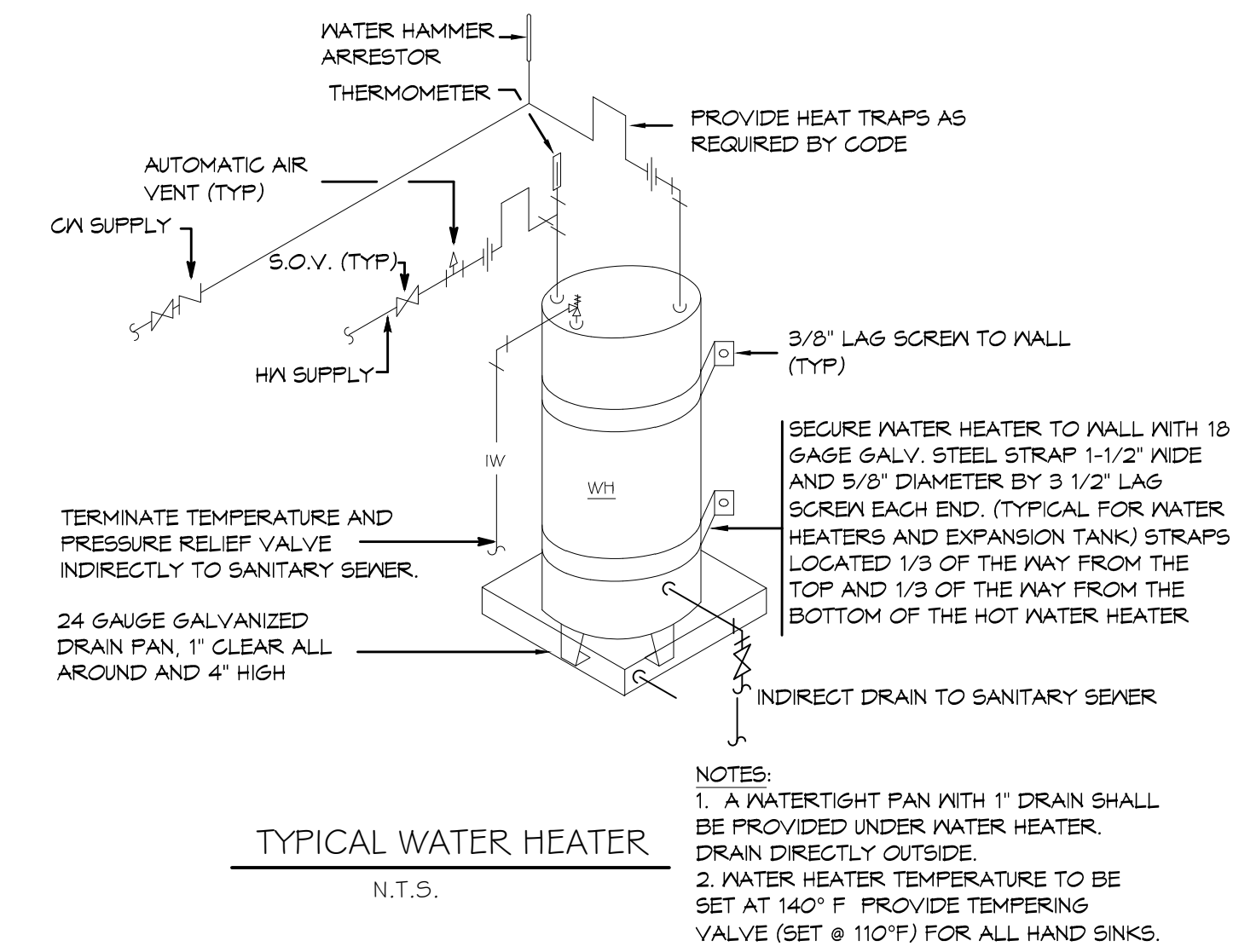


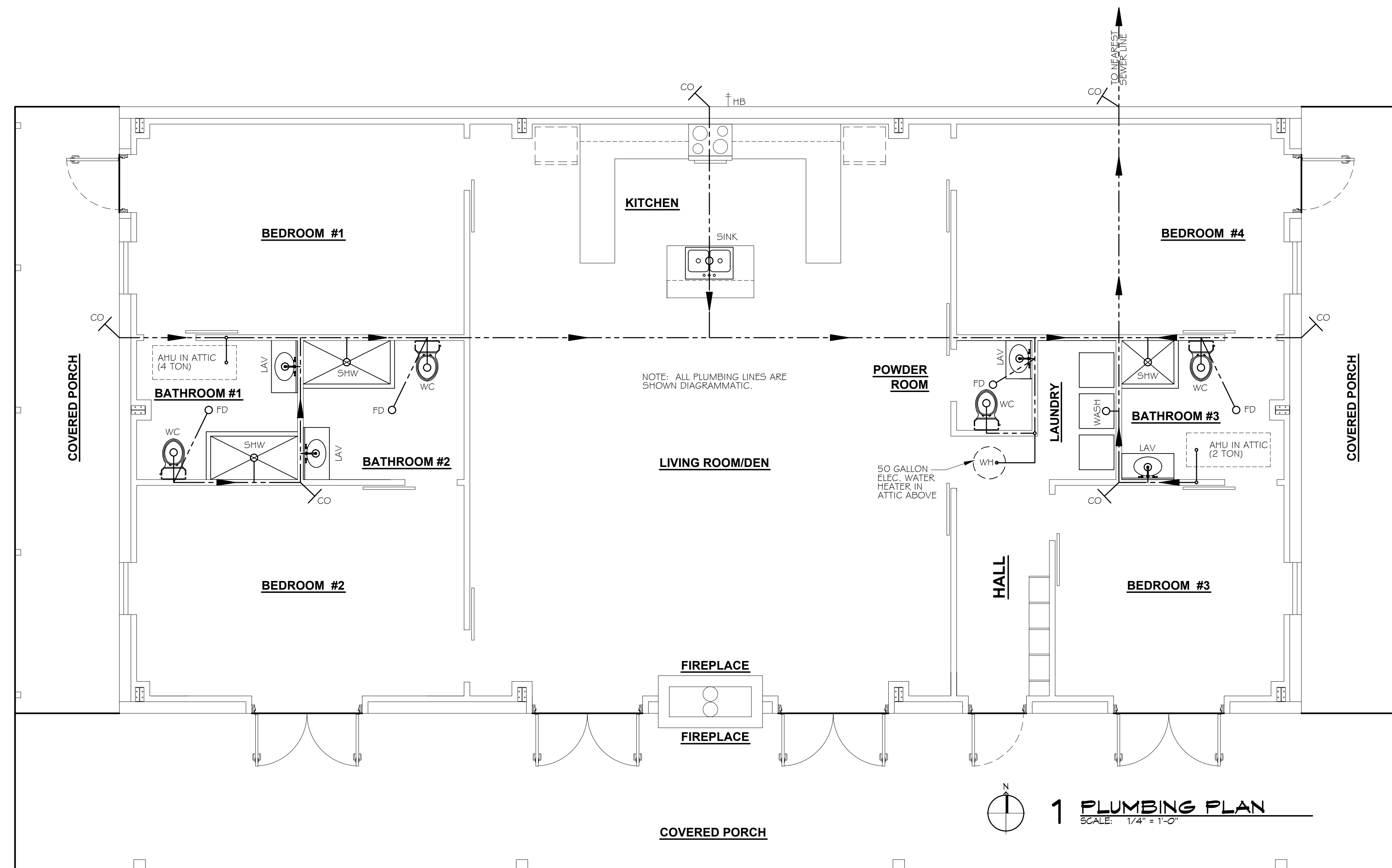
PLUMBING FIXTURE SCHEDULE						
ITEM	DESCRIPTION	SOIL OR WASTE	VENT	COLD WATER	HOT WATER	NOTES
WC	WATER CLOSET	4"	4"	1"	—	1, 4, 3
LAV	LAVATORY	1-1/2"	2"	1/2"	1/2"	1, 2, 4, 3
FD	FLOOR DRAIN	3"	2"	—	—	
CO	CLEAN-OUT	—	—	—	—	
WH	WATER HEATER	—	—	1-1/2"	1-1/2"	
HB	HOSE BIBB	—	—	1/2"	—	4
VTR	VENT THRU ROOF	—	—	—	—	
SHW	SHOWER	1-1/2"	2"	1/2"	1/2"	1, 2, 4, 3

- PROVIDE ADA FIXTURE.
- FIXTURE REQUIRES TEMPERATURE CONTROL DEVICE FOR SCALD PROTECTION.
- INSULATE PIPING FOR FIXTURE.
- FREEZE PROOF HOSE BIBB.



- PLUMBING SITE NOTES:**
- IT IS THE RESPONSIBILITY OF THE CONTRACTOR TO FIELD VERIFY ALL SITE CONDITIONS PRIOR TO STARTING ANY PHASE OF CONSTRUCTION. ANY CHANGES OR COST NOT SHOWN ON THESE DRAWINGS SHALL BE BROUGHT TO THE ATTENTION OF THE ARCHITECT, ENGINEER.
 - ALL EXISTING UTILITIES SHOWN ON THIS PLAN ARE ASSUMED TO BE CORRECT. IT IS THE RESPONSIBILITY OF THE CONTRACTOR TO PROPERLY VERIFY ALL UNDERGROUND UTILITIES.
 - IT IS RECOMMENDED THAT THE SUBCONTRACTOR ARRANGE A PRE-JOB CONFERENCE WITH THE CONSTRUCTION SUPERVISOR FOR REVIEW & CLARIFICATION PRIOR TO STARTING ANY WORK.

- PLUMBING NOTES**
- PROVIDE ALL LABOR, MATERIAL AND EQUIPMENT FOR A COMPLETE OPERATING SYSTEM. THE SYSTEM SHALL INCLUDE HOT AND COLD WATER PIPING, SEWER AND VENT PIPING, INSULATION, WATER HEATER, HANGERS, VALVES & SUPPORTS WITHOUT ANY RESTRICTIONS TO FLOW. CUT AND PATCH AS REQUIRED TO INSTALL PIPES.
 - ALL WORK AND MATERIAL SHALL CONFORM STRICTLY TO THE LATEST LOCAL, CITY, COUNTY, STATE AND NATIONAL GOVERNING CODES.
 - CONTRACTOR IS TO FIELD VERIFY ALL EXISTING UTILITY LOCATIONS, ELEVATIONS AND SIZES PRIOR TO COMMENCING ANY WORK. CONTRACTOR SHALL PAY NECESSARY FEES FOR THE UTILITIES CONNECTIONS.
 - CONTRACTOR IS RESPONSIBLE TO VERIFY THE EXISTING INVERTS AND SET NEW INVERTS OF SEWERAGE AND DRAINAGE PIPES.
 - SEWERAGE LINES 3-INCH AND SMALLER SHALL BE SLOPED 1/4" PER FOOT AND LINE 4-INCH AND LARGER SHALL BE 1/8" PER FOOT.
 - TEST ALL PIPING AT REQUIRED PRESSURE.
 - ALL PLUMBING SHALL BE CLOSELY COORDINATED WITH STRUCTURAL SYSTEM, MECHANICAL SYSTEM AND ELECTRICAL TO INSURE NO TRADES WILL CONFLICT WITH EACH OTHER.
 - DO NOT SCALE DRAWINGS. SEE ARCHITECTURAL DRAWINGS FOR EXACT LOCATIONS OF DOORS, WINDOWS, WALLS, FIXTURES, ETC.
 - ALL WATER MAINS AND PIPING NOT SHOWN FOR CLARITY, ALL LOCATIONS FIELD VERIFIED.
 - DOMESTIC HOT AND COLD WATER PIPING AND FITTINGS UNDER SLAB SHALL BE ASTM B88 COPPER WATER TUBE, TYPE K, SOFT ANNEALED. NO JOINTS SHALL BE ALLOWED UNDER THE SLAB.
 - DOMESTIC WATER PIPING AND FITTINGS ABOVE THE SLAB SHALL BE ASTM B88 COPPER WATER TUBE, TYPE L, HARD DRAWN WITH COPPER PRESSURE TYPE FITTINGS, ANSI B16.22. THE JOINTS SHALL BE SOLDERED TYPING USING ASTM B32, ALLOY GRADE 95A (95-5) SOLDER. INSTALL WATER HAMMER ARRESTORS AT EACH FIXTURE.
 - SOIL, WASTE, VENT PIPING AND FITTINGS ABOVE THE SLAB SHALL BE SERVICE WEIGHT CAST IRON PIPE WITH BELL AND SPIGOT ENDS AND ONE PIECE NEOPRENE INSERT TYPE GASKET. USE PVC SCHEDULE 40 OR ABS DWV PIPES AND FITTINGS WHERE PERMITTED BY CODE.
 - ALL WATER PIPING AND FITTINGS ABOVE THE FLOOR SHALL BE INSULATED WITH 1/2" THICK FIBERGLASS INSULATION AND JACKET.
 - ALL ELECTRICAL, MECHANICAL AND PLUMBING PENETRATING FIRE PARTITIONS SHALL BE FIRE CAULKED. (PENETRATIONS THROUGH RATED CONSTRUCTION SHALL BE SEALED WITH A MATERIAL CAPABLE OF PREVENTING THE PASSAGE OF FLAMES AND HOT GASES WHEN TESTED IN ACCORDANCE WITH ASTM-E814.)
 - ALL PLUMBING LINES SHOWN ARE DIAGRAMMATIC.



DAMMON ENGINEERING, INC.
Architects & Engineers

www.dammonengineering.com
info@dammonengineering.com
554 Old Spanish Trail
Slidell, LA 70458
PH: 985.649.5832 F: 985.641.3950

Chief Engineer: Brian Mischel, PE

#	DESCRIPTION	DATE

SEAL:

**PRELIMINARY
NOT FOR
CONSTRUCTION**

A MULT-JUSE BUILDING FOR
THE HINES PROPERTY IN
TANGIPLOUS COUNTY
MISSISSIPPI

JOB No: 2218 DATE: 12-10-14
1084 JOHN AVACKER ROAD
POPLARVILLE, MS 39470
DRAWN BY: JTL CHECKED BY: GKD

SHEET TITLE:
**PLUMBING PLAN
& RISER**

DRAWING NUMBER:
01

SHEET No: - of -