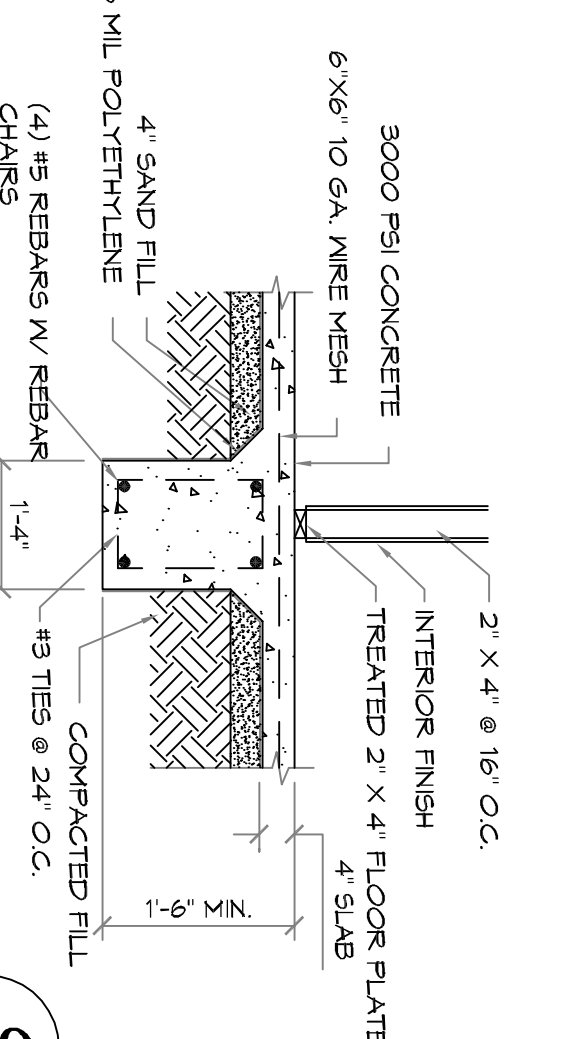
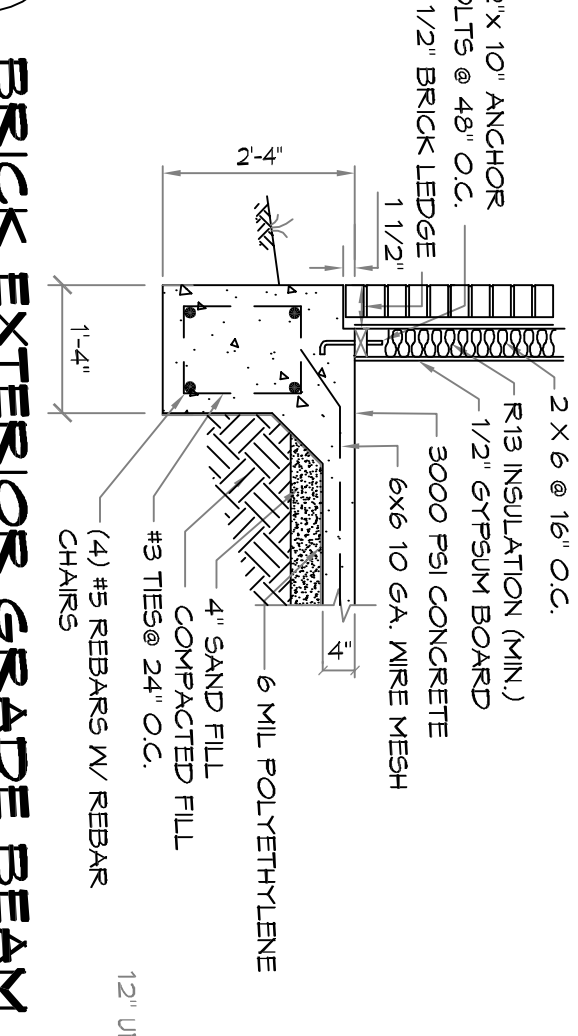


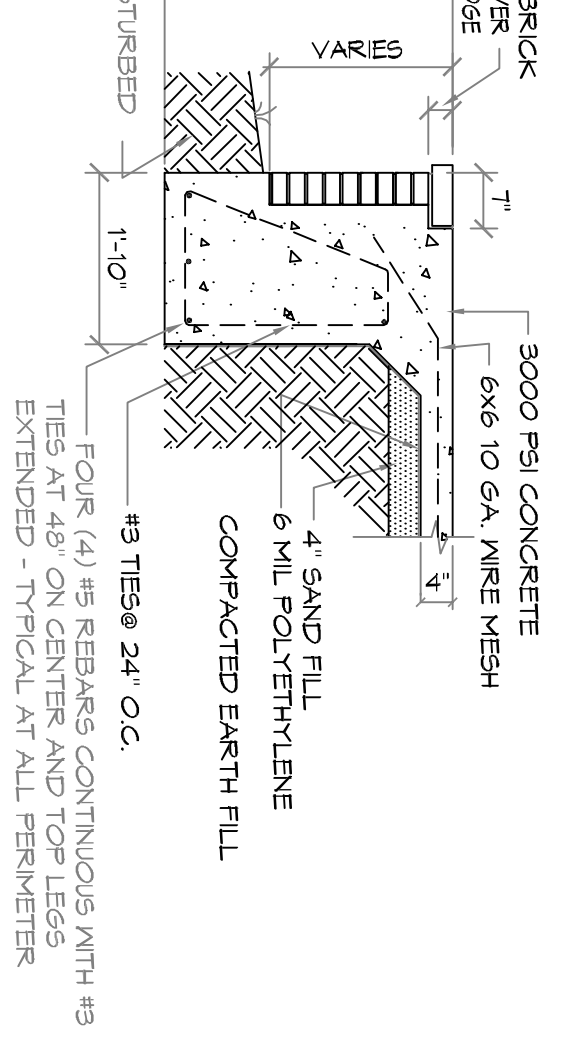
A COVERED PORCH FOOTING
SCALE: N.T.S.



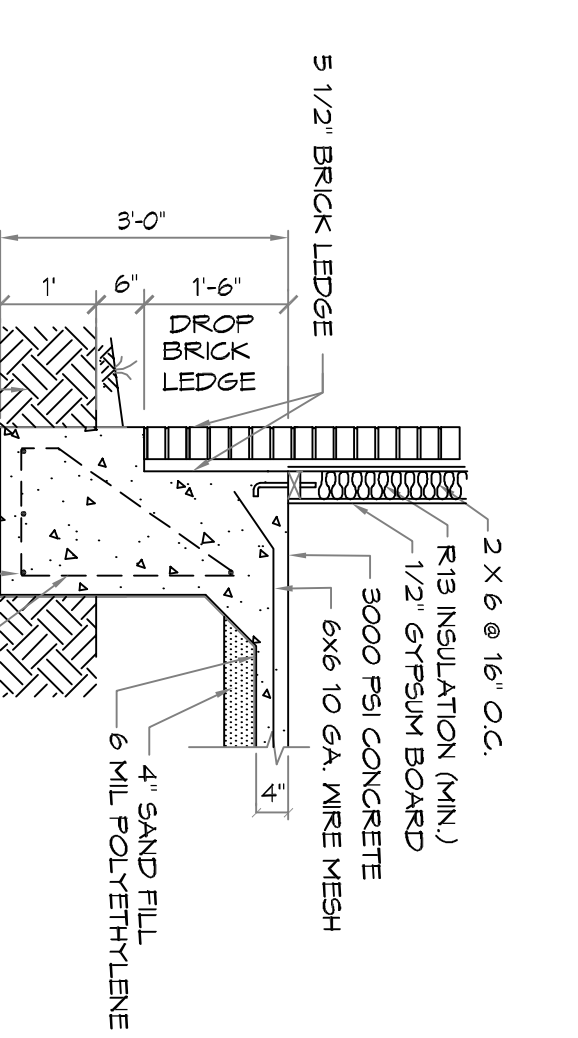
B INTERIOR GRADE BEAM
SCALE: N.T.S.



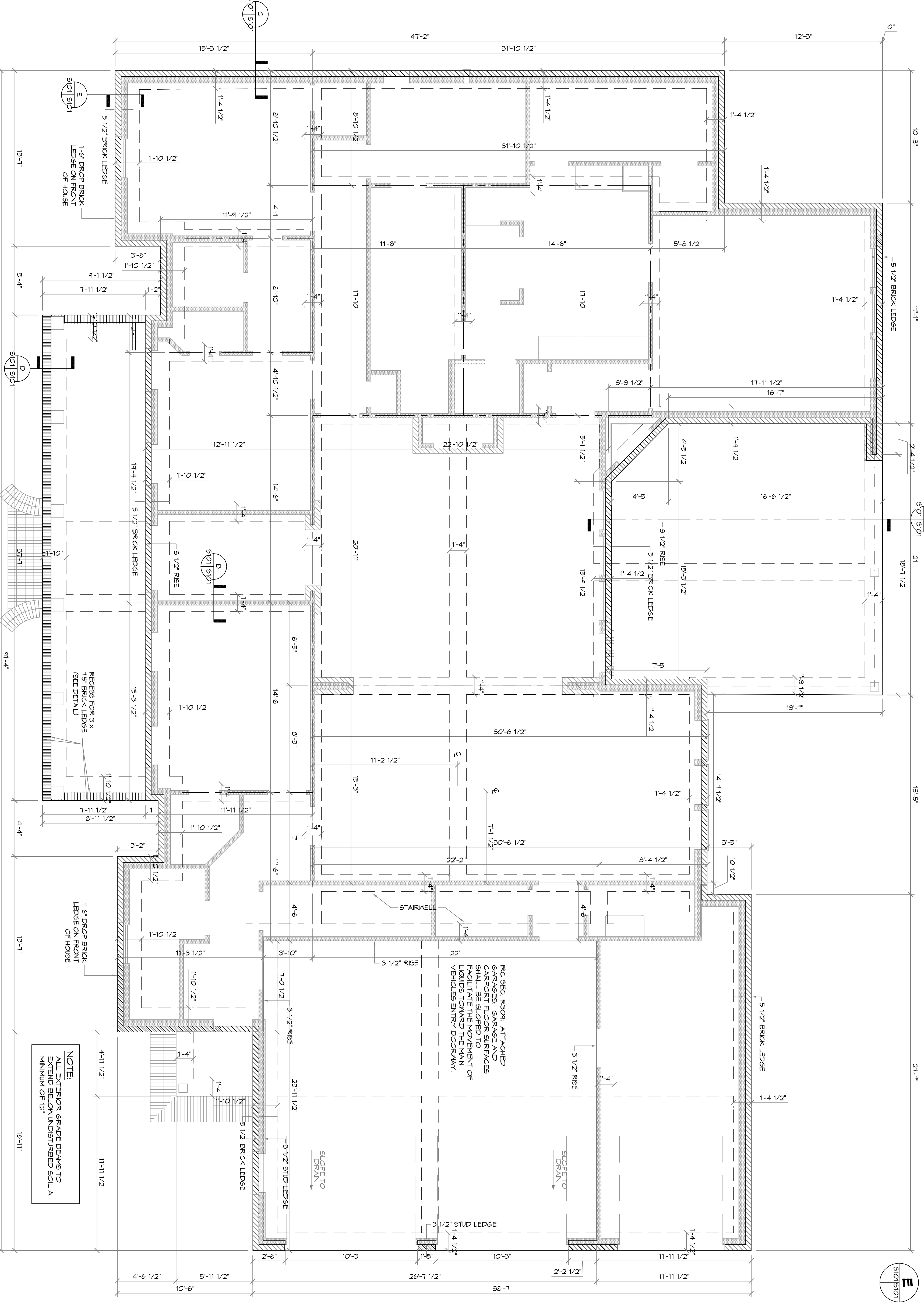
C BRICK EXTERIOR GRADE BEAM
SCALE: N.T.S.



D BRICK BAND FOOTING DETAIL
SCALE: N.T.S.



E 18\"/>



FOUNDATION PLAN
SCALE: 1/4\"/>

CONCRETE NOTES:

- REFER TO BUILDING PLANS FOR DOOR OPENINGS AND EXACT DIMENSIONS.
- USE CONCRETE BRICK SUPPORTS TO MAINTAIN REINFORCING SLEAKS. BRICKS DO NOT USE CWJ OR FACE BRICK.
- FOUNDATION DESIGN BASED ON A-4 FILL DIRT COMPACTED TO 95% DENSITY (ASTM D-1557). FILL PLACED @ 8\"/>

SITE PREPARATION NOTES:

- REMOVE TOP SOIL (0\"/>

FOUNDATION AND SITE WORK NOTES:

- CHECK ELECTRICAL PLAN FOR ANY CONDUIT OR FLOOR RESEALING.
- TERMITE TREAT THE SOIL PRIOR TO POURING CONCRETE AND RETAIN CERTIFICATE FOR OWNER.
- GRADE LOT TO DRAIN AWAY FROM THE FOUNDATION A MINIMUM OF 6\"/>

#	DESCRIPTION	DATE

DAMMON ENGINEERING, INC.
LOUISIANA & MISSISSIPPI

Chief Engineer: Brian Mlisch, PE
554 Old Spanish Trail
Stidell, LA 70458

www.dammonengineering.com
info@dammonengineering.com
PH: 985.649.5832



NEW RESIDENTIAL
Z O V A K M S I D E N Z C H

292 HIGHLAND BLUFF DR
SLIDELL LA, 70461

JOB No: 2019 DATE: 08-26-2019
DRAWN BY: JAGMM CHECKED BY: CKD

5101

FOUNDATION AND DETAILS

2 of 10