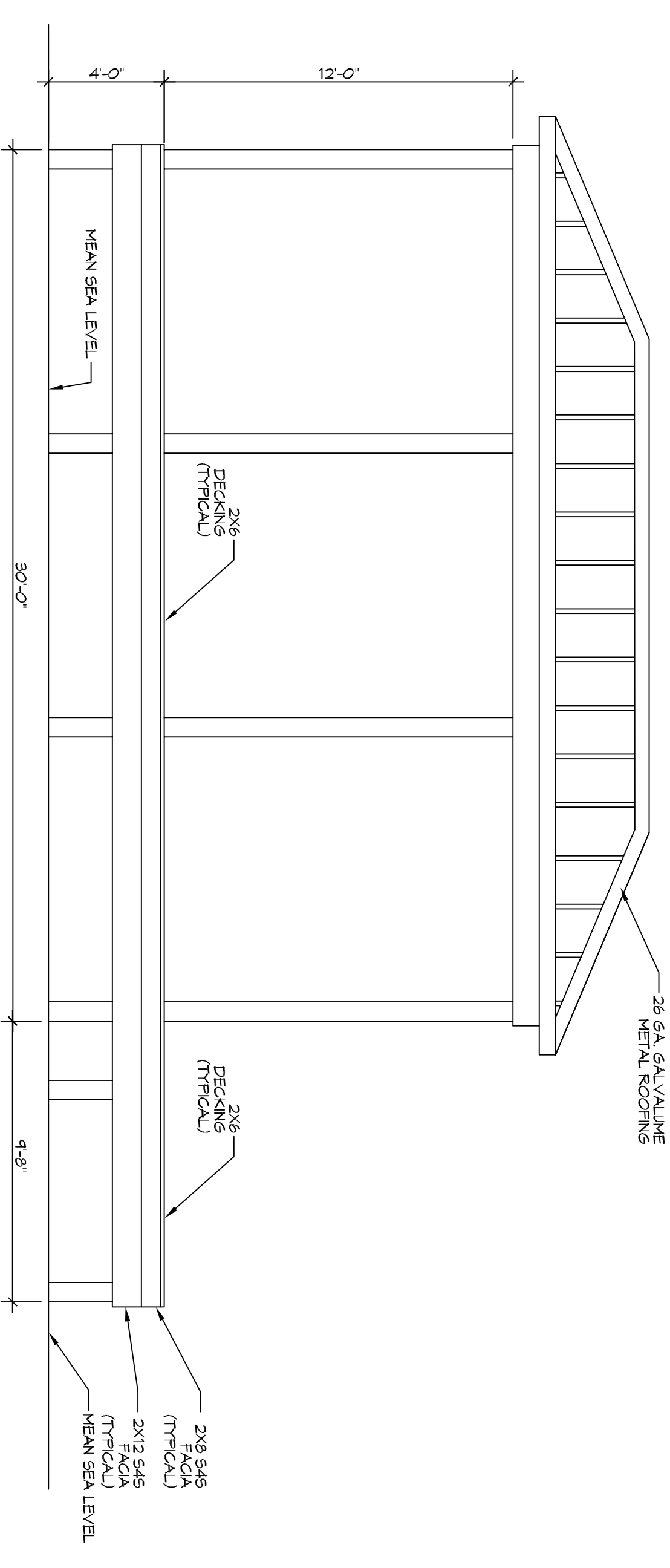
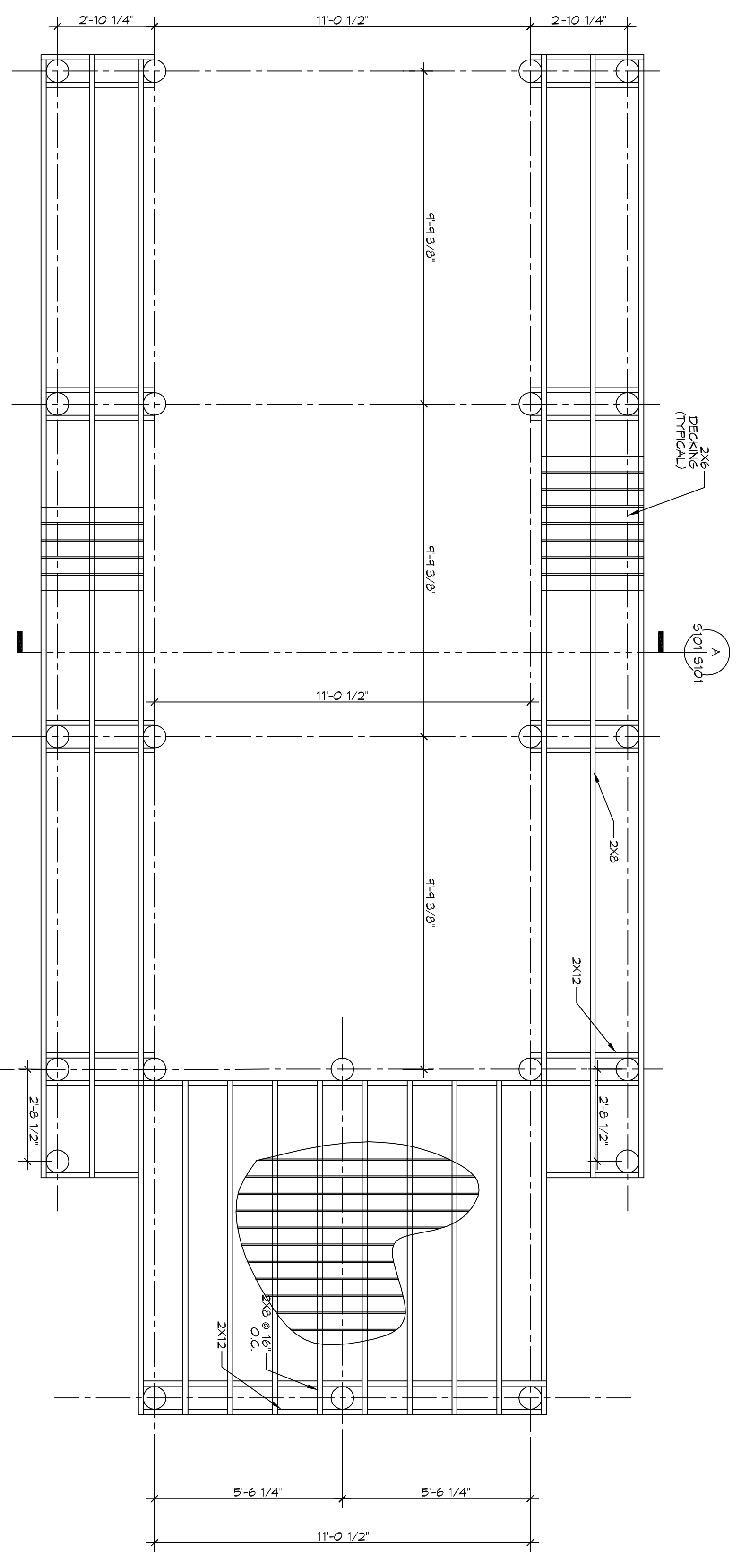


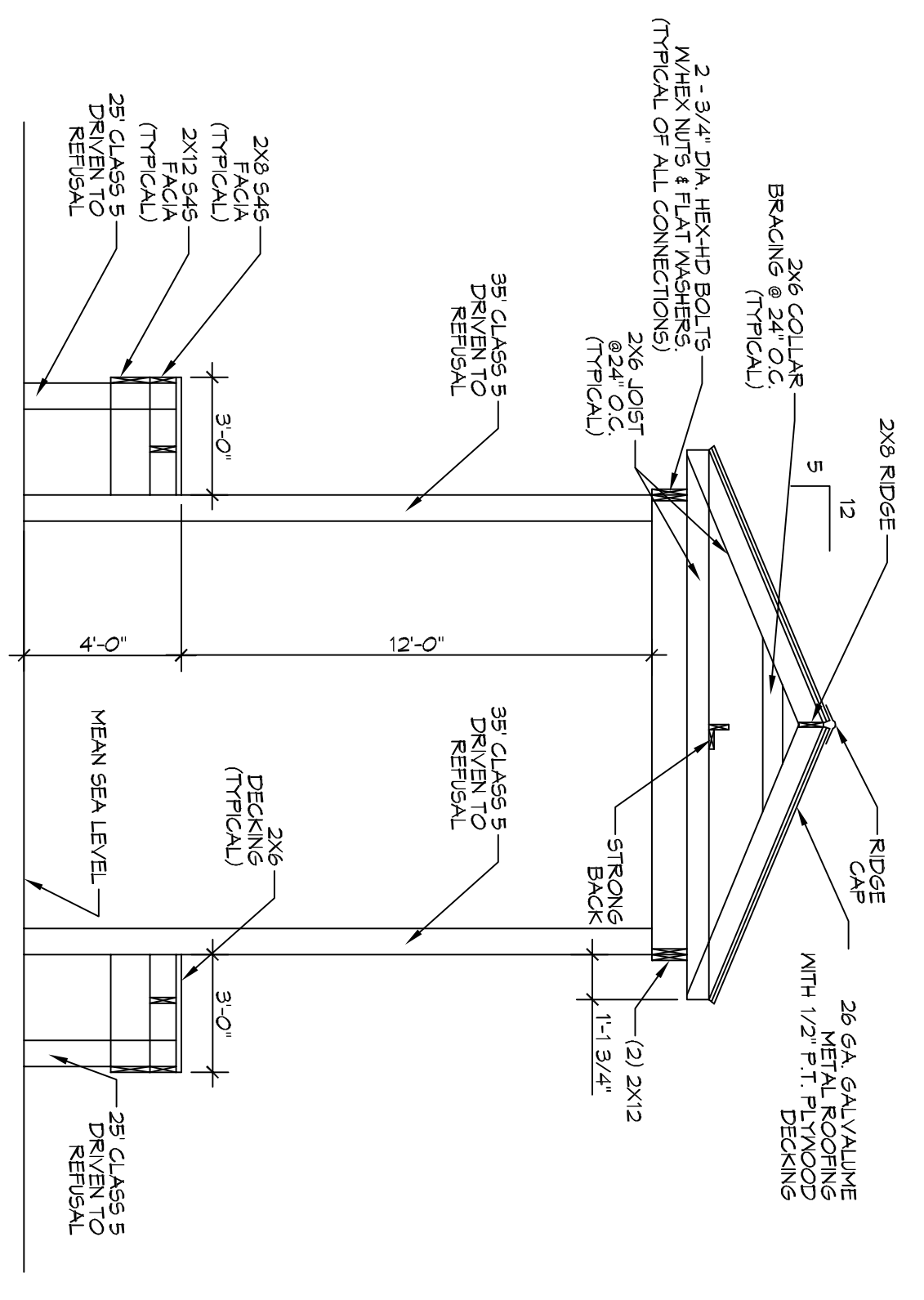
**B** BOAT HOUSE PLAN VIEW  
SCALE: 1/4" = 1'-0"  
PLAN VIEW



**BOAT HOUSE ELEVATION**  
SCALE: 1/4" = 1'-0"  
ELEVATION



**1** BOAT HOUSE PLAN  
SCALE: 3/8" = 1'-0"



**A** SECTION  
SCALE: 1/4" = 1'-0"

**PILING NOTES**

1. PILES ARE TO BE CLASS 5 PRESSURE TREATED WITH A 6 INCH TIP AND 8' BUTT
2. ALL PILES SHALL BE DRIVEN TO REFUSAL.
3. CONTRACTOR SHALL DRIVE TEST PILE TO VERIFY LENGTH NEEDED.
4. NO FIELD SUPERVISION OR INSPECTION PROVIDED UNDER THIS SEAL UNLESS OTHERWISE NOTED.
5. PILE LAYOUT MAY BE MODIFIED DUE TO ACTUAL DRIVING CONDITIONS. ENGINEER TO BE NOTIFIED ON ANY MODIFICATION.
1. A PILE BLOW COUNT LOG OF ALL PILES IS TO BE SUBMITTED TO THE ENGINEER OF RECORD. FAILURE TO SUBMIT SAID LOG WILL RELEASE THE ENGINEER OF ALL RESPONSIBILITY AFTER 5 DAYS OF INSTALLING.

**GENERAL NOTES**

1. ALL LUMBER SHALL BE PRESSURE TREATED WITH A RETENTION OF 4 PER C1.
2. ALL FASTENERS SHALL BE HOT DIPPED GALVANIZED (HDG) PER ASTM A153.
3. ALL CONNECTORS SHALL BE HDG PER ASTM A653, CLASS 6188 SHEET WITH 1.25 OZ/SF ZINC COATING.



554 Old Spanish Trail  
Slidell, LA 70458  
PH: 985.649.5832

www.dammonengineering.com  
info@dammonengineering.com  
Fax: 985.641.5950

REVISIONS		
#	DESCRIPTION	DATE

NEW BOAT HOUSE FOR;  
**THE CLEMENTS**  
130 CHAMALE DRIVE  
SLIDELL LA 70458

JOB No: 2018 DATE: 07-17-2018  
DRAWN BY: CKD CHECKED BY: BAM

I hereby certify that the specifications, design and all engineering information herein are true and correct to the best of my knowledge and belief, and that I am a duly licensed professional engineer in the State of Louisiana. I have not been convicted of a crime involving moral turpitude, and I have not been disciplined by any board or agency other than the one which has issued my license. I have not been suspended or annulled from my license. I have not been convicted of a crime involving moral turpitude, and I have not been disciplined by any board or agency other than the one which has issued my license. I have not been suspended or annulled from my license.

SHEET TITLE:  
BOAT HOUSE FRAMING  
DRAWING NUMBER:  
**S101**  
SHEET No: 2 of 2