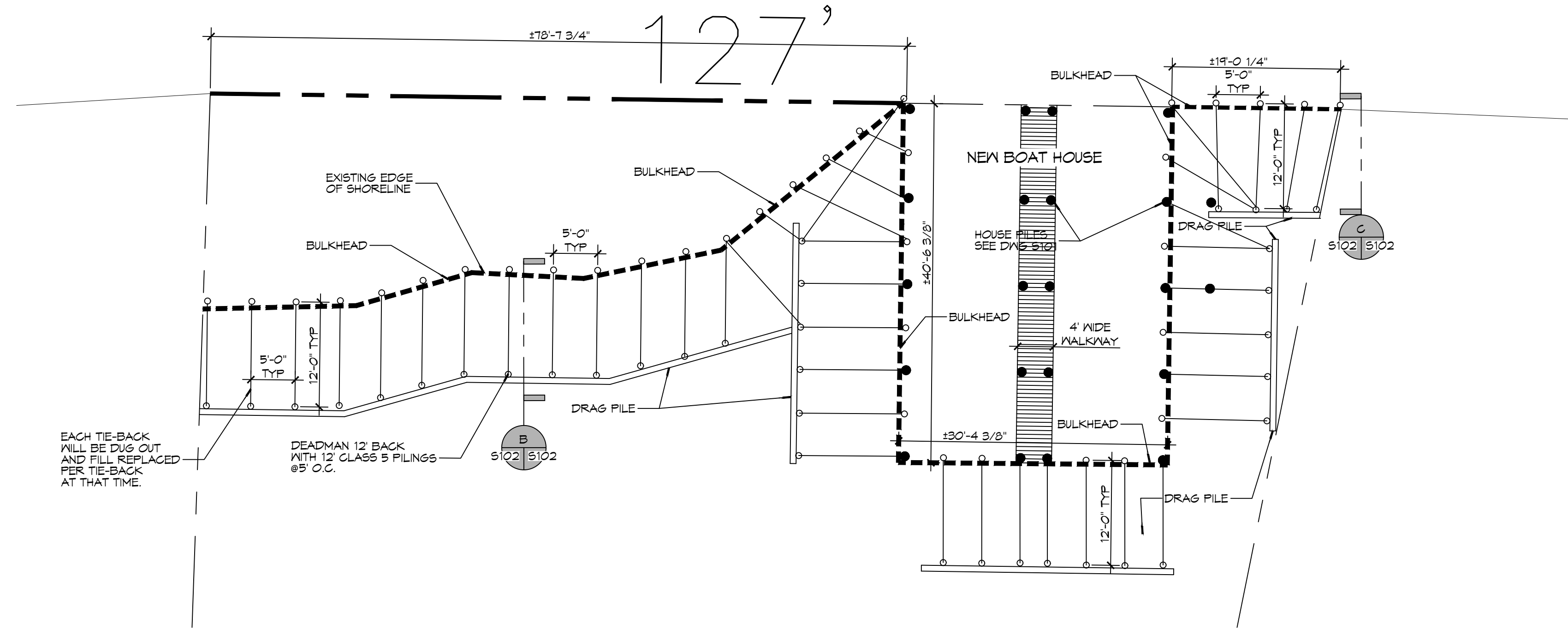
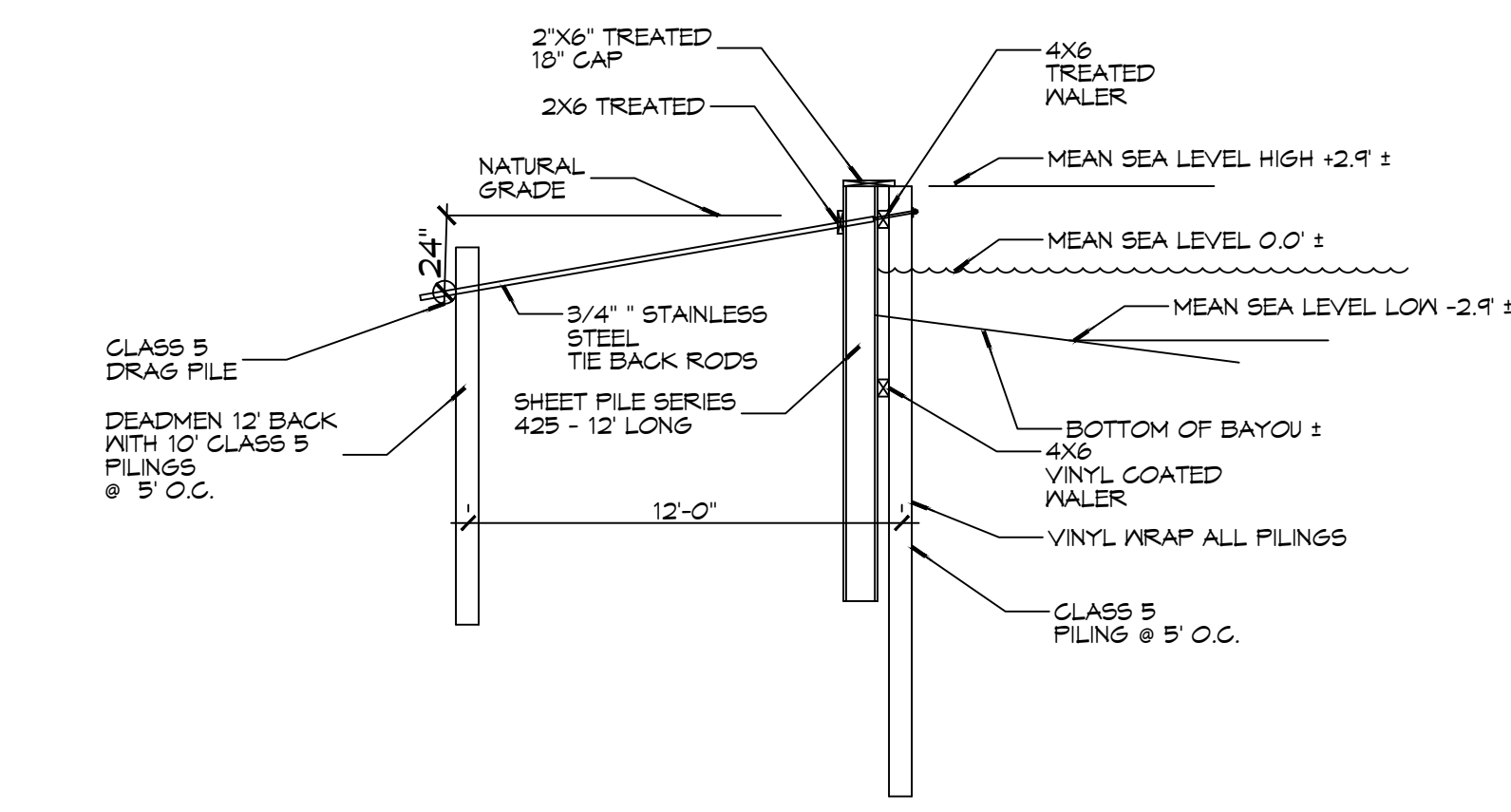


D.E. HARRIS, INC. ENGINEERING CONSULTANTS, 11721 Chef Menteur Highway, Metairie, Louisiana 70002, Phone: 504-885-4444, Fax: 504-885-4445, www.dhammadmon.com

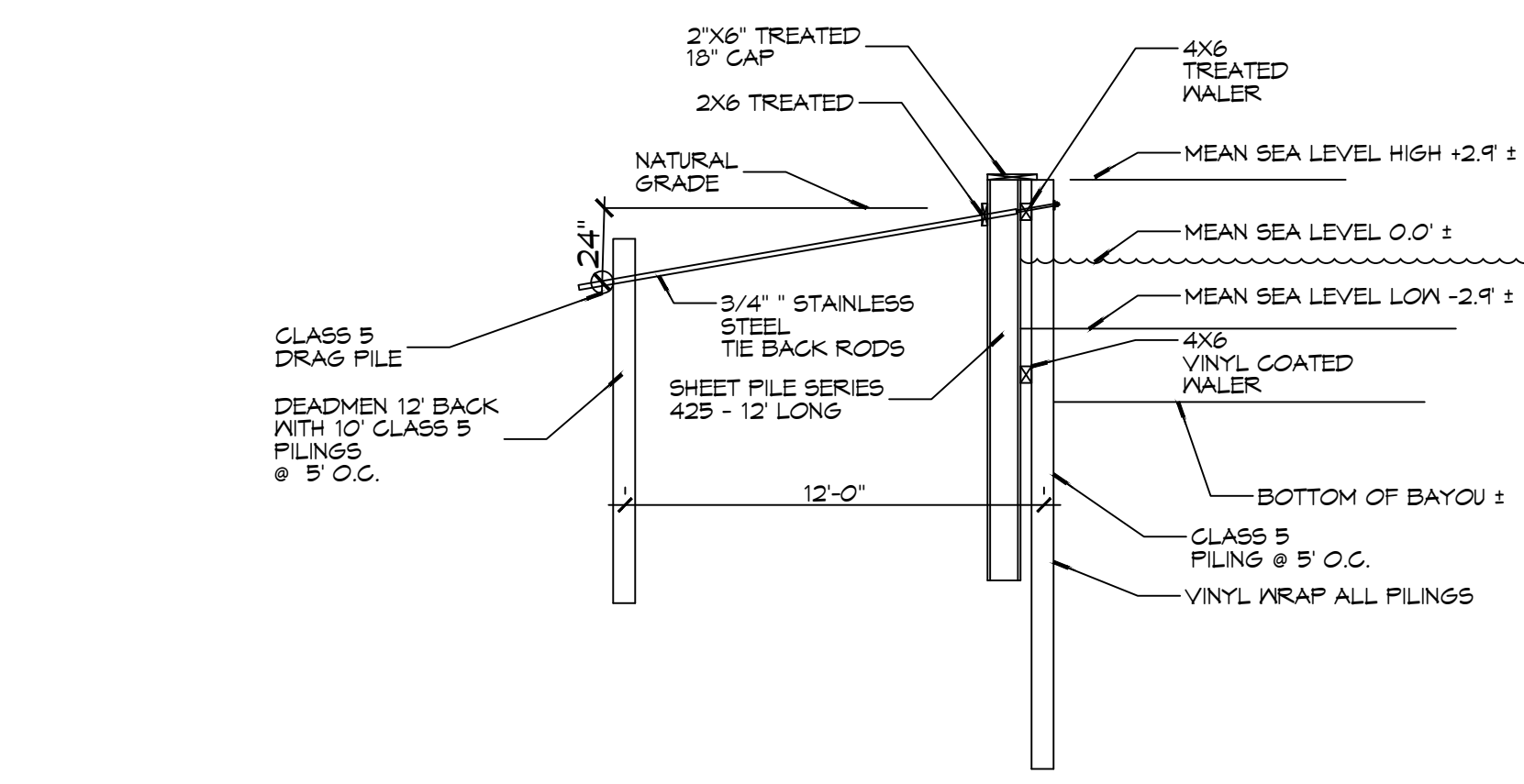
# CHEF MENTEUR PASS



**B BULKHEAD PILING PLAN**  
SCALE: 1" = 10'



**B TYPICAL BULKHEAD SECTION**  
SCALE: 3/16" = 1'-0"



**C TYPICAL BULKHEAD SECTION**  
SCALE: 3/16" = 1'-0"

## PILING NOTES

1. PILES ARE TO BE CLASS 5 PRESSURE TREATED WITH A 6 INCH TIP AND 6' BUTT.
2. ALL PILES SHALL BE DRIVEN TO REFUSAL.
3. CONTRACTOR SHALL DRIVE TEST PILE.
4. NO FIELD SUPERVISION OR INSPECTION PROVIDED UNDER THIS SEAL UNLESS OTHERWISE NOTED.
5. FILE LAYOUT MAY BE MODIFIED DUE TO ACTUAL DRIVING CONDITIONS. ENGINEER TO BE NOTIFIED ON ANY MODIFICATION.
7. A PILE BLOW COUNT LOG OF ALL PILES IS TO BE SUBMITTED TO THE ENGINEER OF RECORD. FAILURE TO SUBMIT SAID LOG WILL RELEASE THE ENGINEER OF ALL RESPONSIBILITY AFTER 5 DAYS OF INSTALLING.

## GENERAL NOTES

1. ALL LUMBER SHALL BE PRESSURE TREATED WITH A RETENTION OF .4 PER C.F.
2. ALL FASTENERS SHALL BE HOT DIPPED GALVANIZED (HDG) PER ASTM A153.
3. ALL CONNECTORS SHALL BE HDG PER ASTM A653, CLASS G185 SHEET WITH 1.05 OZ/SF ZINC COATING.

**DAMMON ENGINEERING, INC.**  
 LOUISIANA & MISSISSIPPI  
 www.dhammadmon.com  
 info@dhammadmon.com  
 504-885-4444  
 504-885-4445  
 5102 S. IRLAND BOULEVARD  
 SUITE 100  
 METairie, LA 70002

#	DESCRIPTION	DATE



**ALBERT CUTITTO**  
 BOAT HOUSE PLAN  
 LOT 16  
 27181 CHEF MENTEUR HWY  
 NEW ORLEANS, LOUISIANA 70121  
 JOB No: 2024  
 DATE: 05-02-2024  
 DRAWN BY: CKD  
 CHECKED BY: BAY

SHEET TITLE:  
**BULKHEAD PLAN**  
 DRAWING NUMBER:  
**S102**  
 SHEET No: 4 of 13

