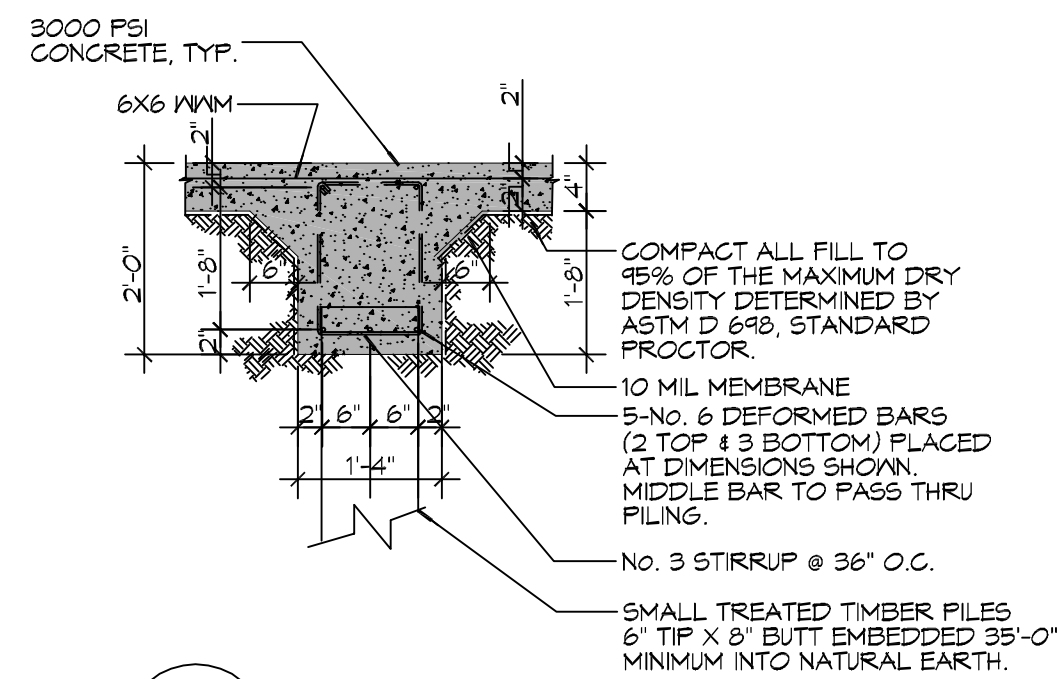
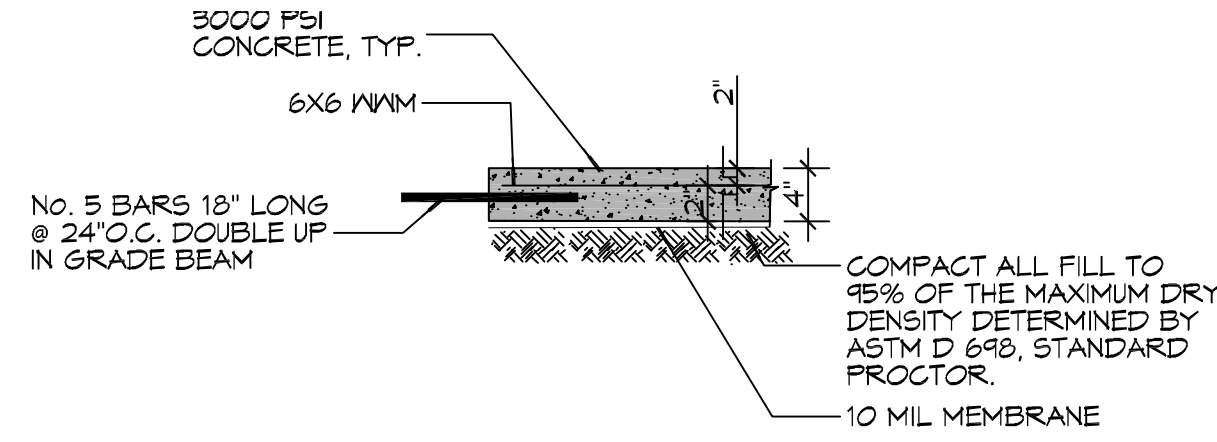


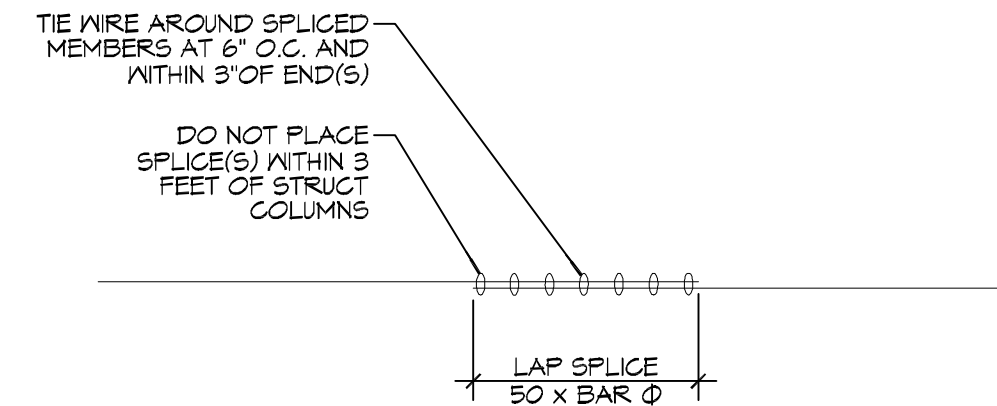
A SECTION
SCALE: 1/2" = 1'-0"



B SECTION
SCALE: 1/2" = 1'-0"



C SECTION
SCALE: 1/2" = 1'-0"



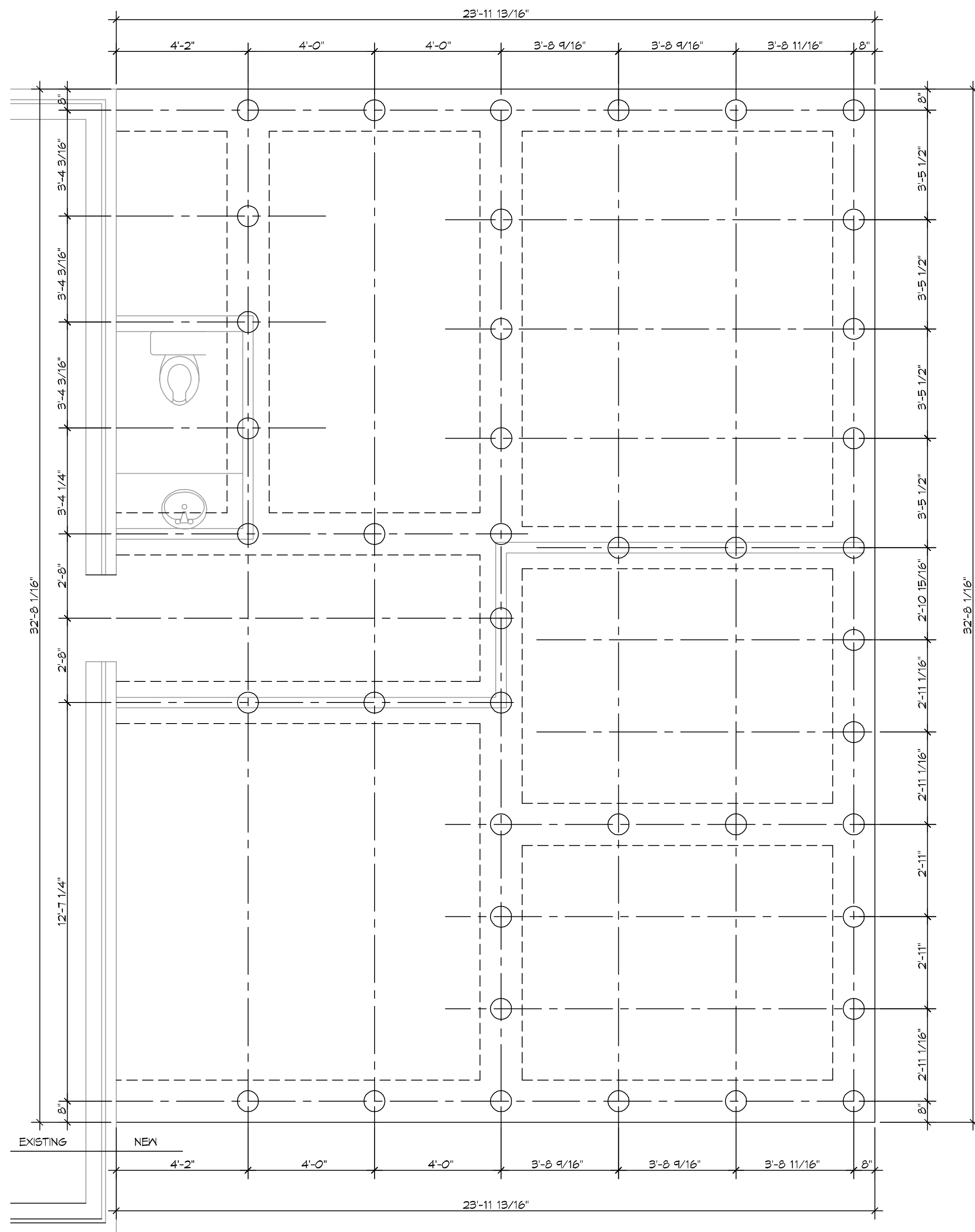
4 DETAIL
SCALE: 1/2" = 1'-0"

FOUNDATION NOTES

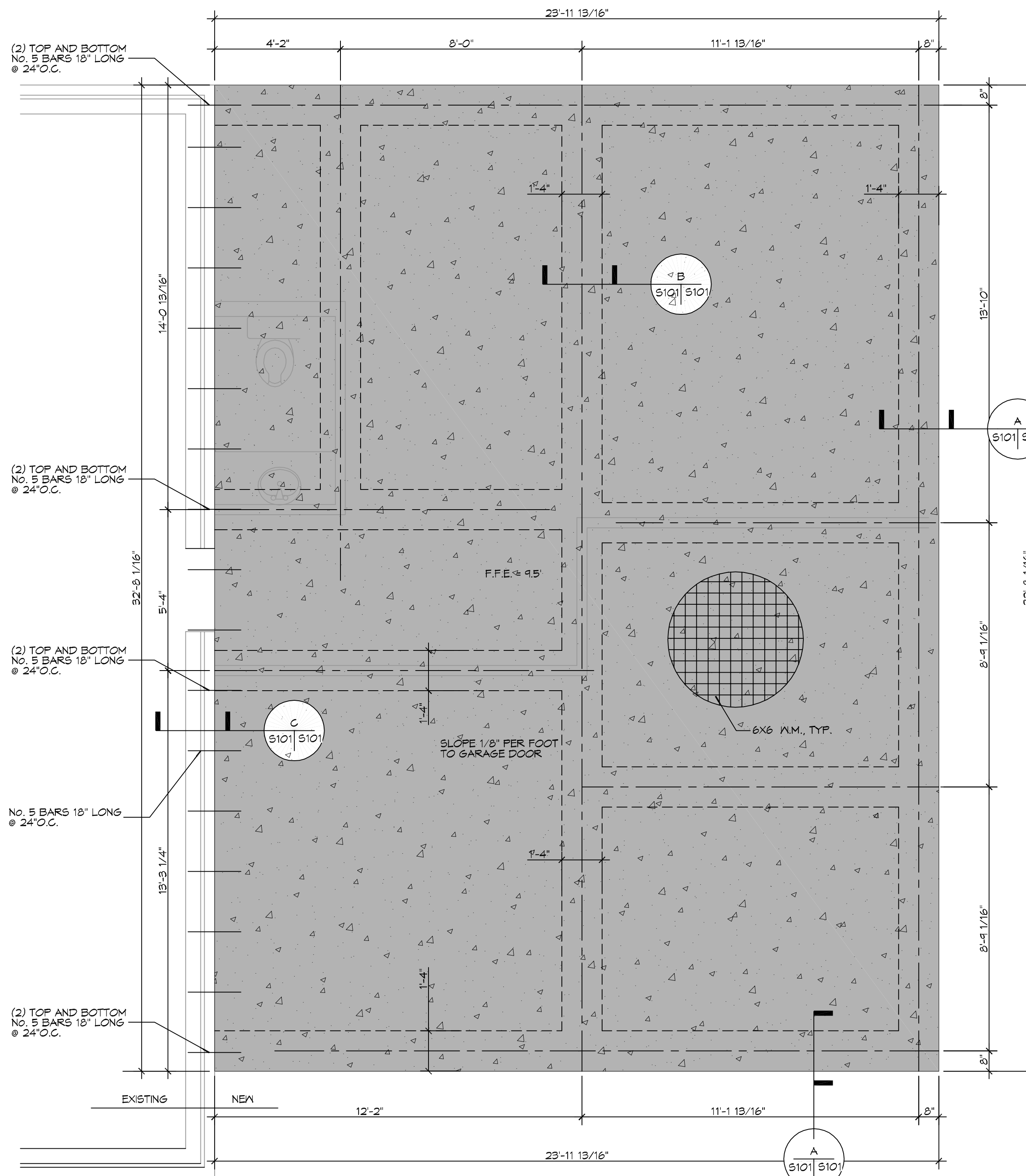
- ALL DIMENSIONS ARE EDGE OF CONCRETE (EOC) TO EDGE OF CONCRETE (EOC) UNLESS NOTED OTHERWISE.
- VERIFY ALL PLUMBING ROUGH-IN LOCATIONS ON ARCHITECTURAL DWGS.
- CONCRETE MIX SHALL HAVE A MINIMUM COMPRESSIVE STRENGTH OF 3000 PSI AT 28 DAYS. CONCRETE MIX SHALL BE IN ACCORDANCE WITH ACI-318.
- ALL CONVENTIONAL REINFORCING STEEL SHALL MEET ASTM-A615 (GRADE 60).
- ONE LAYER OF POLYETHYLENE VAPOR BARRIER SHALL BE PLACED UNDER ALL CONCRETE. VAPOR RETARDER TO BE MINIMUM .006.
- ALL REINFORCING STEEL AND MESH SHALL BE SECURELY SUPPORTED TO PREVENT BOTH VERTICAL AND HORIZONTAL MOVEMENT DURING CONCRETE PLACEMENT.
- THE CONTRACTOR SHALL VERIFY ALL DROPS, OFFSETS, BRICK LEDGES, DIMENSIONS AND CONFIGURATIONS. CONTRACTOR MUST BE RESPONSIBLE FOR SAME.
- GRADE BEAM DIMENSIONS MAY VARY BY -5%, +20%.
- REMOVE ANY AND ALL BAD SOIL IN FOOT PRINT AND REPLACE WITH A4 SELECT.
- ALL SOIL BELOW SLAB SHALL RECEIVE TERMITE TREATMENT.

PILING NOTES

- ALL PILES SHALL BE PRESSURE-TREATED ROUND TIMBER PILES CONFORMING TO ASTM D25.
- TREATED CLASS "B" PILE DRIVEN 35' OR REFUSAL & TEST OUT AT A MAXIMUM ALLOWABLE SINGLE LOAD PILE TIP CAPACITY (WITHOUT EMBEDMENT INVESTIGATIONS) AT 5 TONS.
- NO FIELD SUPERVISION OR INSPECTION PROVIDED UNDER THIS SEAL UNLESS OTHERWISE NOTED.
- PILE LAYOUT MAY BE MODIFIED DUE TO ACTUAL DRIVING CONDITIONS. ENGINEER TO BE NOTIFIED ON ANY MODIFICATION.
- A PILE BLOW COUNT LOG OF ALL PILES IS TO BE SUBMITTED TO THE ENGINEER OF RECORD. FAILURE TO SUBMIT SAID LOG WILL RELEASE THE ENGINEER OF ALL RESPONSIBILITY.
- USE DROP HAMMER OR SINGLE ACTING AIR HAMMER DELIVERING 1,500 FT-LBS OF ENERGY PER BLOW. RAM WEIGHT OF DROP HAMMER SHALL NOT EXCEED 2,500 TO 3,000 LBS AND THE DROP SHOULD NOT EXCEED 3 FT., AT MINIMUM OF 25 BLOWS PER FOOT. IF THE DROP EXCEEDS 3 FT., CONTACT ENGINEER FOR INSTRUCTIONS.



2 PILING PLAN
SCALE: 3/8" = 1'-0"



3 FOUNDATION PLAN
SCALE: 3/8" = 1'-0"

DAMMON ENGINEERING, INC.
www.dammonengineering.com
info@dammonengineering.com
154 Old Spanish Trail
Shreveport, LA 70458
PH: 985.649.5832

REVISIONS	DATE
#	DESCRIPTION

SEAL:

NEW GARAGE
ENZO PALLITTA
215 CHAMBERLAIN LANE
SLIDELL, LOUISIANA 70458
JOB No: 2020 DATE: 01-10-2021
DRAWN BY: BAW
CHECKED BY: CACD

SHEET TITLE:
PILING AND FOUNDATION PLAN

DRAWING NUMBER:
S101

SHEET No: 2 of 5