

Figure 13. Typical wood-framed breakaway wall construction (prescriptive method)

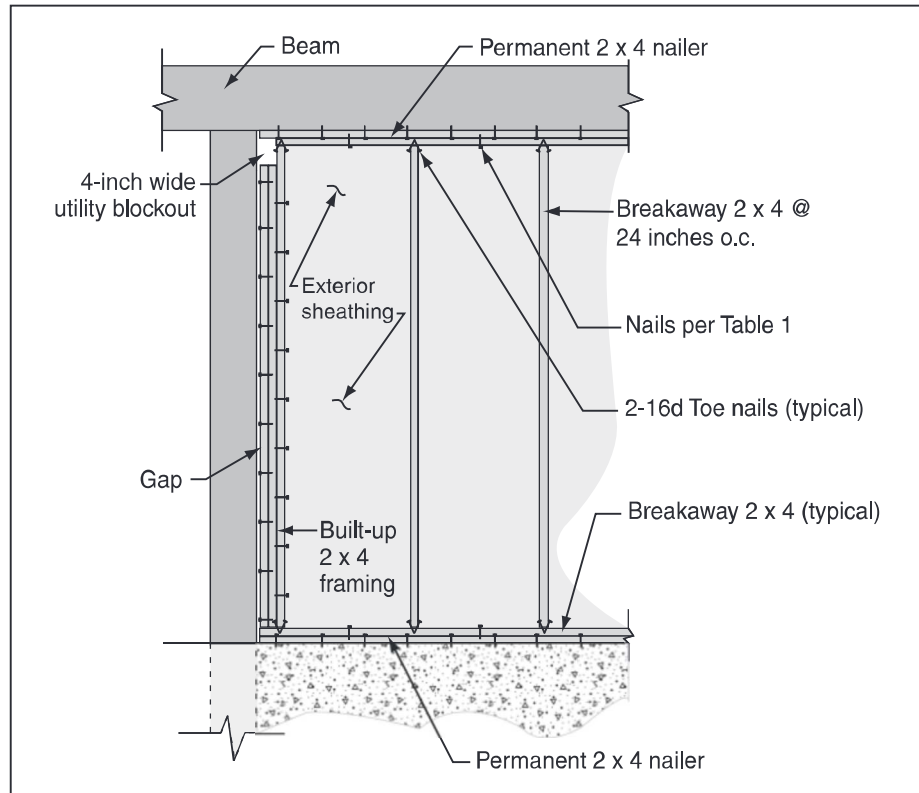


Table 1a. Total required number of galvanized common nails (divided equally between top and bottom) for wood-framed breakaway wall configurations with 8-foot pile spacing

Breakaway Wall Height (feet)	6		7		8		9	
Nail Size	8d	10d	8d	10d	8d	10d	8d	10d
Nails Required	18	12	22	14	24	16	28	18

Table 1b. Total required number of galvanized common nails (divided equally between top and bottom and evenly spaced) for wood-framed breakaway wall configurations with 10-foot pile spacing

Breakaway Wall Height (feet)	6		7		8		9	
Nail Size	8d	10d	8d	10d	8d	10d	8d	10d
Nails Required	24	16	28	18	32	20	34	24

Table 1c. Total required number of galvanized common nails (divided equally between top and bottom and evenly spaced) for wood-framed breakaway wall configurations with 12-foot pile spacing

Breakaway Wall Height (feet)	6		7		8		9	
Nail Size	8d	10d	8d	10d	8d	10d	8d	10d
Nails Required	28	18	32	22	38	24	42	28

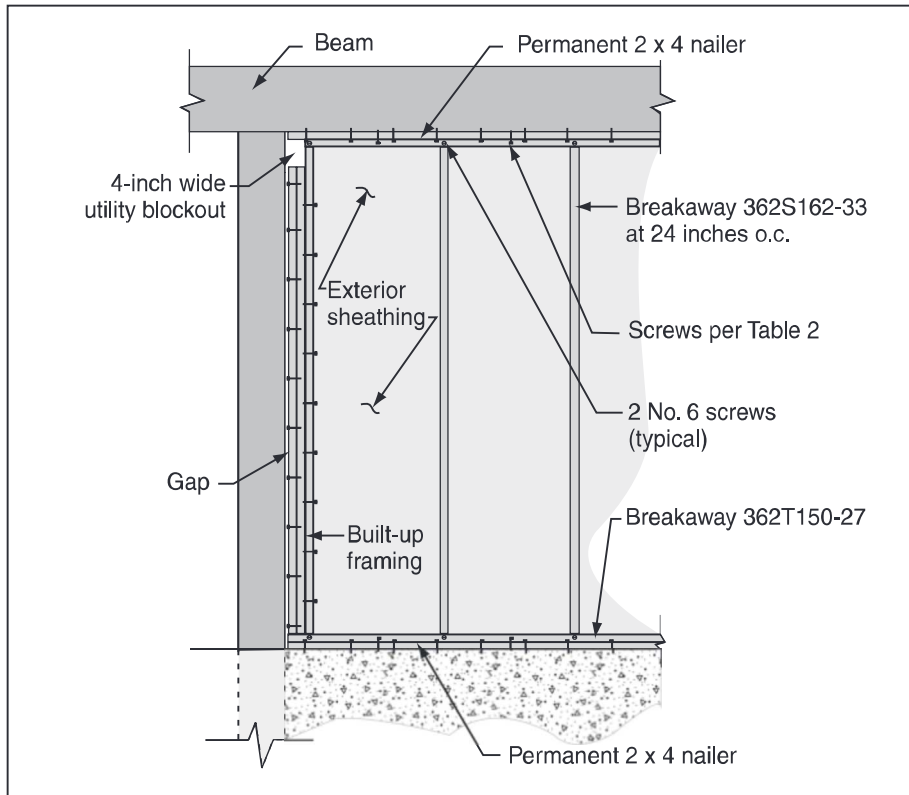


Figure 14. Typical steel stud-framed breakaway wall construction (prescriptive method)

Table 2. Total required number of No. 6 self tapping screws (divided equally between top and bottom and evenly spaced) conforming to SAE J78 with a Type II coating in accordance with ASTM B 633 for steel-stud framed breakaway wall configurations

Breakaway Wall Height (feet)	6	7	8	9
Screws Required for 8-foot Pile Spacing	22	26	30	32
Screws Required for 10-foot Pile Spacing	28	32	36	42
Screws Required for 12-foot Pile Spacing	32	38	44	50

Design Details

All breakaway walls designed using the prescriptive design method shall be detailed in accordance with the following:

1. Breakaway walls shall be designed to meet all applicable local requirements and building code requirements.
2. As shown in Figures 13 and 14, wood-framed and steel stud-framed breakaway wall panels shall not be attached to the pilings or other vertical foundation members. Only the tops and bottoms of wall panels shall be connected to permanent 2x4 nailer plates. High-capacity connectors such as bolts, lag screws, metal straps, or hurricane fasteners (e.g., clips or straps) shall not be used.

3. The exterior sheathing on breakaway wall panels shall neither overlap nor be attached to the vertical foundation members.
4. Breakaway wall sheathing and siding shall be discontinuous at elevated floor beams and joists; horizontal separation joints shall be provided to prevent damage to the sheathing or siding above the floor of the elevated building (see Figure 5). As shown in Figure 15, a watertight seal shall be provided for separation joints to prevent wind-driven rain water and sea spray from entering the building envelope. A similar vertical sealed joint may be needed in front of the piling.
5. Utilities, including electrical wiring, breaker boxes, power meters, plumbing, conduits, and ventilation ducts, shall not be placed in or attached to breakaway wall panels. Building supply lines and other utility fixtures, such as light switches or electrical outlets, may be attached to the sheltered side of vertical foundation members as allowed by applicable building codes and floodplain management regulations (which generally require that utilities be elevated above the BFE). If utility lines must be routed into or out of an enclosure, one or more of the walls shall be constructed with a utility blockout (see Figures 13 and 14). Utility lines that pass through the blockout shall be independent of the walls and therefore will not be damaged if the wall panels break away.
6. Breakaway wall panels shall be positioned such that, on failure, they do not collapse against cross-bracing or threaten other foundation components (for more information, see Technical Bulletin 5).
7. Partial height breakaway wall systems are not permitted.

Prescriptive Design Method Example

Problem: Design a 10-foot wide by 9-foot tall wood-framed breakaway wall for a 3-second gust design wind speed of 110 mph. The Seismic Design Category is D, deflection of the wall is not important, and the wall is not within 4 feet of a building corner. Wood framing shall be constructed using flood damage-resistant No. 2 Grade Spruce-Pine-Fir 2x4s.

Solution: The problem description clearly allows the use of the prescriptive design method. Figure 13 shows that 2x4 studs at 24 inches on center (o.c.) shall be toe nailed to the top and bottom plates using two 16d nails. According to Table 1b, twenty-four 10d nails (12 top and 12 bottom) can be used to connect the breakaway top and bottom plates to permanent 2x4 nailer plates.

Simplified Design Method for Breakaway Walls

In most coastal areas, the adopted building codes include wind and/or seismic design requirements that exceed the 20 psf maximum limit allowed for breakaway walls that do not require certification by a registered design professional. NFIP performance criteria also allow for designs that meet these higher load requirements. Breakaway walls with allowable loads higher than 20 psf are permitted if a designer certifies that (1) the wall will collapse before base flood conditions are reached, and (2) the elevated building will not be damaged by combined wind and flood loads acting on all building components.

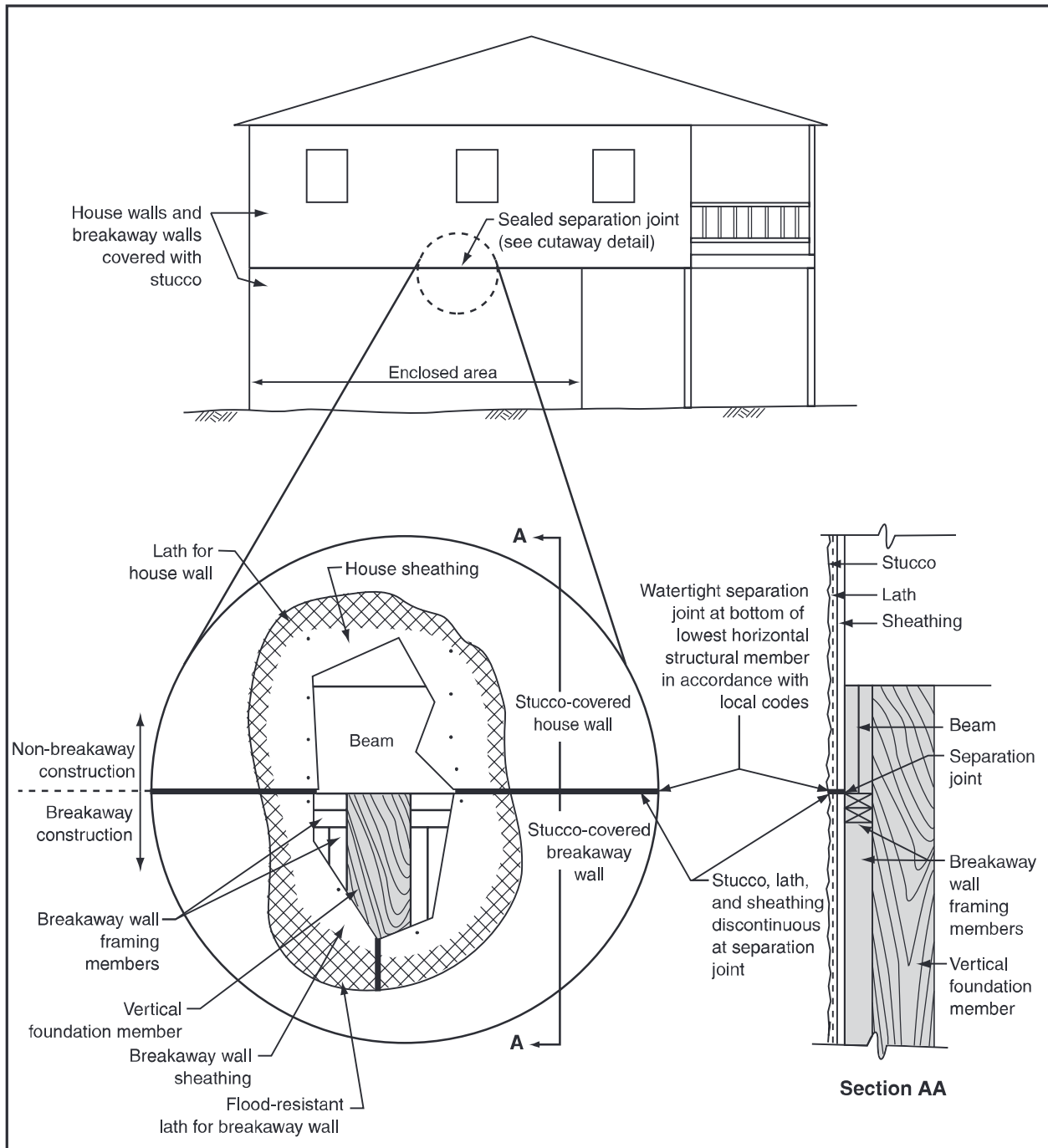


Figure 15. Separation joint between sheathing and wall covering (e.g., stucco, siding) on house walls and breakaway walls

Breakaway walls designed in accordance with the simplified design method will have a design safe loading resistance that exceeds 20 psf. The previously cited research showed that wave loads on elevated structures are minimized if breakaway walls are designed to resist wind loads up to 55 psf. Therefore, walls designed using the simplified design method meet NFIP performance criteria. Stud, nail, and screw requirements presented in this section meet the stringent design conditions described below and may be relaxed as long as the designer

ensures that the breakaway wall satisfies the governing code's wind and/or seismic requirements. Future research and testing on walls with design wind pressures significantly exceeding 55 psf may allow use of the simplified method where the 3-second gust design wind speed exceeds 140 mph.

Applicability

The simplified design method for wood-framed and steel stud-framed breakaway walls does not require a design professional and is permitted to be used if all of the following conditions are satisfied:

1. Breakaway wall heights are between 6 and 9 feet, where piles, columns or piers are spaced between 8 and 12 feet apart (the performance-based method shall be used for situations that fall outside of these limitations).
2. The 3-second gust design wind speed is between 110 and 140 mph (see Figure 12).
3. The simplified design method is permitted for all Seismic Design Categories identified in ASCE 7-05.
4. Breakaway walls serving as backup for brick veneer or other material that may be damaged by excessive deflections shall not be designed using the simplified design method.

Design Methodology

Wood-framed walls shall be constructed using flood damage-resistant Spruce-Pine-Fir or better species (e.g., Southern Pine is a better species as defined by its higher allowable bending stress). Wood-framed breakaway walls and steel stud-framed breakaway walls shall be constructed in accordance with Figures 16 and 17, respectively (notes in Figure 16 refer to Tables 3 and 4, and notes in Figure 17 refer to Tables 5 and 6):

- n Tables 3a, 3b, and 3c provide required stud spacing for Stud Grade, Construction Grade, and No. 2 Grade studs as a function of wind speed and wall height. Stud spacing values may not be interpolated (e.g., use 120-mph design wind speed if actual design wind speed is greater than 110 mph, but less than 120 mph).
- n Tables 4a, 4b, 4c, and 4d provide the total required number of nails for different design wind speeds as a function of wall height and pile spacing (interpolation is allowed).
- n Table 5 provides required spacing for steel studs as a function of wind speed and wall height. Stud spacing values may not be interpolated (e.g., use 120-mph design wind speed if actual design wind speed is greater than 110 mph, but less than 120 mph).

Figure 16 shows that 3 – 16d toe nails are required for all cases. Although no specific pattern for toe nailing is required in this Technical Bulletin, the National Design Specification for Wood Construction requires that edge distances, end distances, and spacings be sufficient to prevent splitting of the wood. If horizontal construction is preferred by the contractor, 1 – 16d nail installed end grain to the stud can be used with 2 – 16d toe nails installed in alternate directions once the wall is placed vertically (see Figure 16). Likewise, 2 – 40d nails installed end grain to the stud can be used so that the breakaway wall can be assembled horizontally and then nailed in place to the permanent top and bottom nailer plates. It should be noted that pre-drilling may be required in some cases.

n Tables 6a, 6b, 6c, and 6d provide the required number of self tapping screws for different design wind speeds as a function of wall height and pile spacing (interpolation is allowed).

Careful plan review and inspection by local jurisdictions is paramount when the simplified design method is used. Plan reviewers must ensure that the proper number and type of connectors are specified for both the top and the bottom plate connections, and inspectors should pay close attention that the installation complies with the approved plans.

In areas where design wind speeds are less than or equal to 140 mph, inspectors may accept more top and bottom connectors than are specified in Table 4 (for wood studs) and Table 6 (for steel studs). However, because breakaway walls fail near the ground, it is important that the number of bottom plate connectors not exceed one or two more than the number of connectors specified in Table 4d and Table 6d (regardless of design wind speed), or performance will be jeopardized.

Design Details

Design details described for the prescriptive design method in the previous section apply for the simplified design method (see page 17).

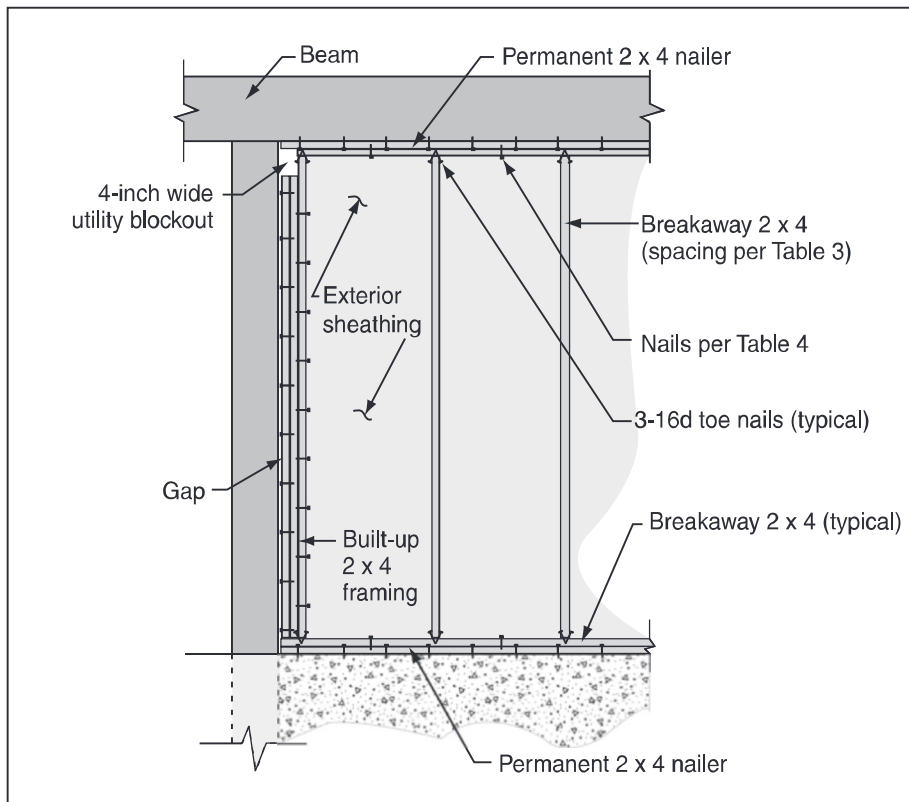


Figure 16. Typical wood-framed breakaway wall construction (simplified method)

Table 3a. Required 2x4 stud spacing (inches) for different design wind speeds (mph) and wood-framed breakaway wall heights (Stud Grade)

Design Wind Speed per ASCE 7-05	110	120	130	140
Stud Spacing for 6-foot Wall Height	24	16	16	16
Stud Spacing for 7-foot Wall Height	16	16	12	12
Stud Spacing for 8-foot Wall Height	12	12	X	X
Stud Spacing for 9-foot Wall Height	X	X	X	X

Table 3b. Required 2x4 stud spacing (inches) for different design wind speeds (mph) and wood-framed breakaway wall heights (Construction Grade)

Design Wind Speed per ASCE 7-05	110	120	130	140
Stud Spacing for 6-foot Wall Height	24	24	24	16
Stud Spacing for 7-foot Wall Height	24	16	16	16
Stud Spacing for 8-foot Wall Height	16	16	12	12
Stud Spacing for 9-foot Wall Height	12	12	X	X

Table 3c. Required 2x4 stud spacing (inches) for different design wind speeds (mph) and wood-framed breakaway wall heights (No. 2 Grade)

Design Wind Speed per ASCE 7-05	110	120	130	140
Stud Spacing for 6-foot Wall Height	24	24	24	24
Stud Spacing for 7-foot Wall Height	24	24	16	16
Stud Spacing for 8-foot Wall Height	16	16	16	12
Stud Spacing for 9-foot Wall Height	16	12	12	X

Table 4a. Total required number of 10d galvanized common nails (divided equally between top and bottom and evenly spaced) for wood-framed breakaway wall configurations (design wind speed = 110 mph)

Breakaway Wall Height (feet)	6	7	8	9
Nails Required for 8-foot Pile Spacing	18	20	22	24
Nails Required for 10-foot Pile Spacing	20	24	28	32
Nails Required for 12-foot Pile Spacing	24	30	34	38

Table 4b. Total required number of 10d galvanized common nails (divided equally between top and bottom and evenly spaced) for wood-framed breakaway wall configurations (design wind speed = 120 mph)

Breakaway Wall Height (feet)	6	7	8	9
Nails Required for 8-foot Pile Spacing	20	22	26	30
Nails Required for 10-foot Pile Spacing	24	28	32	36
Nails Required for 12-foot Pile Spacing	30	34	38	44

Table 4c. Total required number of 10d galvanized common nails (divided equally between top and bottom and evenly spaced) for wood-framed breakaway wall configurations (design wind speed = 130 mph)

Breakaway Wall Height (feet)	6	7	8	9
Nails Required for 8-foot Pile Spacing	22	26	30	34
Nails Required for 10-foot Pile Spacing	28	32	38	42
Nails Required for 12-foot Pile Spacing	34	40	44	50

Table 4d. Total required number of 10d galvanized common nails (divided equally between top and bottom and evenly spaced) for wood-framed breakaway wall configurations (design wind speed = 140 mph)

Breakaway Wall Height (feet)	6	7	8	9
Nails Required for 8-foot Pile Spacing	26	30	34	38
Nails Required for 10-foot Pile Spacing	32	38	42	48
Nails Required for 12-foot Pile Spacing	38	44	52	58

Figure 17. Typical steel stud-framed breakaway wall construction (simplified method)

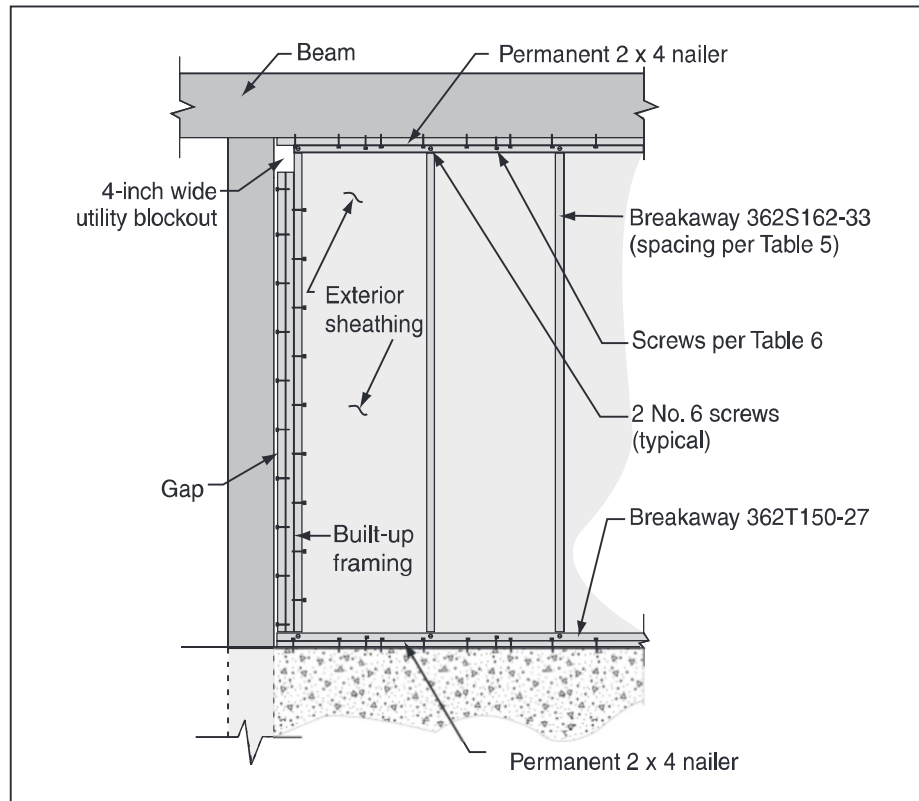


Table 5. Required 362S162-33 stud spacing for different design wind speeds (mph) and steel stud-framed breakaway wall heights

Design Wind Speed per ASCE 7-05	110	120	130	140
Stud Spacing for 6-foot Wall Height	24	24	24	24
Stud Spacing for 7-foot Wall Height	24	24	24	16
Stud Spacing for 8-foot Wall Height	24	16	16	12
Stud Spacing for 9-foot Wall Height	16	12	12	X

Table 6a. Total required number of No. 6 self tapping screws (divided equally between top and bottom and evenly spaced) conforming to SAE J78 with a Type II coating in accordance with ASTM B 633 for steel-stud framed breakaway wall configurations (design wind speed = 110 mph)

Breakaway Wall Height (feet)	6	7	8	9
Screws Required for 8-foot Pile Spacing	30	34	38	44
Screws Required for 10-foot Pile Spacing	36	42	48	54
Screws Required for 12-foot Pile Spacing	44	50	58	66

Table 6b. Total required number of No. 6 self tapping screws (divided equally between top and bottom and evenly spaced) conforming to SAE J78 with a Type II coating in accordance with ASTM B 633 for steel-stud framed breakaway wall configurations (design wind speed = 120 mph)

Breakaway Wall Height (feet)	6	7	8	9
Screws Required for 8-foot Pile Spacing	34	40	46	50
Screws Required for 10-foot Pile Spacing	42	50	56	64
Screws Required for 12-foot Pile Spacing	50	60	68	76

Table 6c. Total required number of No. 6 self tapping screws (divided equally between top and bottom and evenly spaced) conforming to SAE J78 with a Type II coating in accordance with ASTM B 633 for steel-stud framed breakaway wall configurations (design wind speed = 130 mph)

Breakaway Wall Height (feet)	6	7	8	9
Screws Required for 8-foot Pile Spacing	40	46	52	60
Screws Required for 10-foot Pile Spacing	50	58	66	74
Screws Required for 12-foot Pile Spacing	60	70	78	88

Table 6d. Total required number of No. 6 self tapping screws (divided equally between top and bottom and evenly spaced) conforming to SAE J78 with a Type II coating in accordance with ASTM B 633 for steel-stud framed breakaway wall configurations (design wind speed = 140 mph)

Breakaway Wall Height (feet)	6	7	8	9
Screws Required for 8-foot Pile Spacing	46	52	60	68
Screws Required for 10-foot Pile Spacing	56	66	76	84
Screws Required for 12-foot Pile Spacing	68	78	90	102

Simplified Design Method Example

Problem: Design a 10-foot wide by 9-foot tall wood-framed breakaway wall for a 3-second gust design wind speed of 130 mph. The Seismic Design Category is D, deflection of the wall is not important, and the wall is within 4 feet of a building corner. Wood framing shall be constructed using flood damage-resistant No. 2 Grade Spruce-Pine-Fir.

Solution: The problem description clearly allows the use of the simplified design method. According to Table 3c, 2x4 studs at 12 in. o.c. shall be toe nailed to breakaway 2x4 top and bottom plates using three 16d nails (from Figure 16). According to Table 4c, forty-two 10d nails (21 top and 21 bottom) shall be used to connect the breakaway top and bottom plates to permanent 2x4 nailer plates.

As explained in the section on design methodology (see page 21), because this example is in an area with a design wind speed of less than or equal to 140 mph, additional top and bottom connectors may be used and accepted by inspectors. However, to allow the wall to break away as intended, inspectors should not accept more than the number of bottom connectors specified in Table 4d (plus an additional one or two). Therefore, while the solution indicated by Table 4c requires 21 nails at the top plate and 21 nails at the bottom plate, the maximum number that inspectors should accept for the bottom plate is 26 nails (per Table 4d, 24 nails plus not more than two extra nails).

Performance-Based Design of Breakaway Walls

Breakaway walls designed in accordance with the performance-based design method will normally have an allowable load of more than 20 psf. Flood loads (i.e., wave loads, hydrodynamic loads, and impact loads) on breakaway walls must be calculated and taken into account when designing the elevated structure and the foundation system. However, as described below, the designer is given slightly more freedom when detailing breakaway wall systems.

Applicability

Performance-based design of breakaway walls must be performed by a design professional. This method is always permitted and these walls may be designed and constructed using wood studs, steel-studs, unreinforced masonry, or alternative materials. However, it is anticipated that performance-based design will be used primarily when the applicability criteria (e.g., taller walls, wider spans, higher design wind speeds) for the prescriptive and simplified design methods cannot be satisfied.

Design Methodology

Performance-based design of breakaway walls consists of designing the breakaway wall to resist the largest out-of-plane load of (a) the design wind pressure in accordance with ASCE 7-05, (b) the design seismic out-of-plane load in accordance with ASCE 7-05, or (c) 10 psf. Although breakaway walls are permitted by NFIP regulations, the effects of flood loads on these walls (and any other building components that are below the BFE) must be included in the design of the elevated structure and its foundation. It should be noted that more resistant breakaway walls increase the potential forces from debris impact loading on foundation elements and possibly on neighboring structures.

Design Details

All breakaway walls designed using the performance-based design method shall be detailed in accordance with the following:

1. Breakaway walls shall be designed to meet all applicable local requirements and building code requirements.
2. Breakaway wall sheathing and siding shall be discontinuous at elevated floor beams and joists; horizontal separation joints shall be provided to prevent damage to the sheathing or siding above the floor of the elevated building (see Figure 5). As shown in Figure 15, a watertight seal shall be provided for separation joints to prevent wind-driven rain water

and sea spray from entering the building envelope. A similar vertical sealed joint may be needed in front of the piling.

3. Utilities, including electrical wiring, breaker boxes, power meters, plumbing, conduits, and ventilation ducts, shall not be placed in or attached to breakaway wall panels. Building supply lines and other utility fixtures, such as light switches or electrical outlets, may be attached to the sheltered side of vertical foundation members as allowed by applicable building codes and floodplain management regulations (which generally require that utilities be elevated above the BFE). If utility lines must be routed into or out of an enclosure, one or more of the walls shall be constructed with a utility blackout (see Figures 13 and 14). Utility lines that pass through the blackout shall be independent of the walls and therefore will not be damaged if the wall panels break away.
4. Breakaway wall panels shall be positioned such that, on failure, they do not collapse against cross-bracing or threaten other foundation components (for more information, see Technical Bulletin 5).
5. Partial height breakaway wall systems are not permitted.

When using the performance-based design method, wood-framed and steel stud-framed breakaway wall panels may be attached to pilings or other vertical foundation members (i.e., all four sides of the panel may be attached) as accounted for in the design of the wall and foundation elements.

Unreinforced, ungrouted hollow-cell masonry units may be attached to floor beams and to concrete or masonry vertical foundation members with standard mortars and minimum perimeter connections, as accounted for in the design of the wall and foundation elements. Continuous breakaway wall systems that span across pilings are not permitted.

Impact of Breakaway Wall Provisions on Other Building Elements

The NFIP requirements for breakaway walls have direct impacts on the other building elements described in this section.

Utilities

Utilities and attendant equipment shall not be mounted on, pass through, or be located along breakaway walls. Where utilities and attendant equipment (e.g., lighting circuits, switches, receptacles) are required to be installed below the BFE to address life safety and electric code requirements, they shall be mounted on the sheltered (i.e., landward) side of foundation members. If utility lines must be routed into or out of an enclosure, one or more of the walls shall be constructed with a utility blackout. Utility lines that pass through the blackout shall be independent of the walls and therefore will not be damaged if the wall panels break away.

Garage Doors

Garage doors installed in enclosures with breakaway walls are not exempt from the NFIP requirements to break away under flood conditions. Standard residential garage doors may be

considered breakaway panels and flood loads acting on these doors need not be considered. Although such doors have not been tested under wave loads, the IRC requires the use of doors that have been tested for wind loads. Experience has shown that these doors fail under very low wave loading that will not significantly affect the elevated home or foundation. Garage doors may be designed and detailed using the performance-based design provisions described in this Technical Bulletin.

Partial-Height Breakaway Wall Systems

Partial-height breakaway walls do not satisfy the NFIP requirements and are not permitted. These walls are constructed so that the bottom portion of the wall breaks away while the top portion of the wall (above the BFE but below the elevated structure) is strengthened to survive the design event. The NFIP regulations specifically state that walls below the lowest floor of an elevated building shall be breakaway walls.

Exterior Façade

Exterior façade treatments such as brick veneer, concrete plank, stucco, or other unreinforced nonstructural elements may be attached to breakaway walls provided the façade does not inhibit the breakaway characteristics of the walls. Façade connections shall be designed and detailed to meet building code requirements for wind and seismic loading. Horizontal separation joints shall be used at the elevated floor level to minimize damage to the elevated structure.

Interior Finishes

Enclosures below elevated buildings are allowed only for parking of vehicles, building access, or storage. Installing utility stub-outs (i.e., purposely placed utility access points for future connections) is inconsistent with the allowable uses of an unfinished enclosed area. Likewise, finishing the interior of enclosures with drywall or other finish materials is not permitted unless required to address life-safety and fire code requirements. An exception exists for steel stud-framed breakaway walls, where structural performance under wind loads requires continuous lateral bracing of both stud flanges.

Construction Materials

The NFIP requires that construction materials used below the BFE be resistant to flood damage. Flood damage-resistant materials are those that are capable of withstanding direct and prolonged contact (i.e., at least 72 hours) with floodwaters without suffering significant damage (i.e., damage requiring more than reasonable cleanup or low-cost cosmetic repair, such as painting). More details are found in Technical Bulletin 2, Flood Damage-Resistant Materials Requirements for Buildings Located in Special Flood Hazard Areas.

Unless other materials are required to address life safety and fire code requirements, flood damage-resistant materials shall be used for breakaway walls and wall panels, as outlined below.

Wood-Frame Materials

- n All lumber shall be preservative-treated or decay-resistant (e.g., redwood, cedar, some oaks, and bald cypress).
- n Exterior siding shall be exterior grade and no thicker than ½-inch plywood, APA 32/16 rated sheathing or other equivalent sheathing material.
- n Wall studs shall be no larger than 2 inches x 4 inches (nominal dimensions) unless designed using the performance-based design provisions described in this Technical Bulletin.
- n Interior wall sheathing shall not be permitted.

Metal Connectors

- n Metal connectors shall be corrosion-resistant (see Technical Bulletin 8, Corrosion Protection for Metal Connectors in Coastal Areas).

Other Materials

- n Light-gauge steel framing, such as steel studs, shall be coated to resist corrosion.
- n Stucco, Exterior Insulation Finishing System (EIFS) walls, and other lightweight exterior sheathing material may be applied, as long as a separation joint is provided where the material is attached at or near the bottom of the elevated floor beam or joists (see Figure 15). Insulation shall also be installed with a separation joint so that it does not hinder performance.
- n Foam sheathed walls may be designed and used as breakaway walls in accordance with the performance-based design provisions presented in this Technical Bulletin.

Existing Buildings: Repairs, Remodeling, Additions, and Retrofitting

Work that is determined to be substantial improvement of an existing building (including additions and repairs of substantial damage) must comply with the NFIP regulations and the entire structure must also be brought into compliance. Work on any existing building that was constructed in compliance with the NFIP requirements must comply with the requirements and not jeopardize the continued compliance of the building. Therefore, if enclosures are added below compliant buildings, breakaway walls shall be used. For more information about requirements for substantially improved and substantially damaged buildings, see *Answers to Questions About Substantially Damaged Buildings* (FEMA 213).

Recommendations for Coastal A Zones

FEMA's MAT reports consistently show that buildings in areas mapped as AE zones and subject to tidal flooding, wave forces, scour, and debris impacts often are severely damaged. The landward boundary of the V zone is where the depth of water can no longer support a 3-foot breaking wave. A zones are mapped inland of the V zone to the landward boundary of the SFHA.

Figure 18 shows older homes located in a mapped AE zone that may have sustained significant flood damage caused by debris impact resulting from inundation and waves. Figure 19 shows

a structure in an AE zone that was elevated above the BFE, where the enclosure's breakaway walls performed as intended, without damage to the elevated structure.

Portions of the AE zone areas where wave-related damage occurs have been determined to be areas where the depth of flooding can support waves between 1.5 and 3 feet high (which only requires approximately 2 feet of water depth). These areas are called Coastal A Zones (CAZs). Historically, CAZs have not been delineated on FIRMs, although some communities are delineating them or are requesting that the delineation be provided as an informational layer when FEMA produces new digital FIRMs. Where the informational layer is provided by FEMA on coastal map studies, the boundary line is called the Limit of Moderate Wave Action (LiMWA).

FEMA strongly recommends that structures in CAZs be designed and constructed to meet V Zone requirements, including requirements for breakaway walls. However, the NFIP regulations also require flood openings in walls surrounding enclosures below elevated buildings in CAZs (see Technical Bulletin 1, Openings in Foundation Walls and Walls of Enclosures). Breakaway walls used in CAZs must have flood openings that allow for the automatic entry and exit of floodwaters to minimize damage caused by hydrostatic loads. Openings also function during smaller storms or if anticipated wave loading does not occur with the base flood.



Figure 18. Homes in AE zone devastated by wave forces and debris

Figure 19. Structure elevated above BFE in AE zone showing successful response of breakaway walls



The NFIP

The U.S. Congress established the NFIP with the passage of the National Flood Insurance Act of 1968. The NFIP is a Federal program enabling property owners in participating communities to purchase insurance as protection against flood losses, in exchange for State and community floodplain management regulations that reduce future flood damages. Participation in the NFIP is based on an agreement between communities and the Federal Government. If a community adopts and enforces adequate floodplain management regulations, FEMA will make flood insurance available within the community.

Title 44 of the U.S. Code of Federal Regulations contains the NFIP criteria for floodplain management, including design and construction standards for new and substantially improved buildings located in SFHAs identified on the NFIP's FIRMs. FEMA encourages communities to adopt floodplain management regulations that exceed the minimum NFIP criteria. As an insurance alternative to disaster assistance, the NFIP reduces the escalating costs of repairing damage to buildings and their contents caused by floods.

NFIP Technical Bulletins

This is one of a series of Technical Bulletins that FEMA has produced to provide guidance concerning the building performance requirements of the NFIP. These requirements are contained in Title 44 of the U.S. Code of Federal Regulations at Section 60.3. The bulletins are intended for use by State and local officials responsible for interpreting and enforcing the requirements in their floodplain management regulations and building codes, and by members of the development community, such as design professionals and builders. New bulletins, as well as updates of existing bulletins, are issued periodically, as necessary. The bulletins do not create regulations; rather, they provide specific guidance for complying with the requirements of existing NFIP regulations. Users of the Technical Bulletins who need additional

guidance should contact their NFIP State Coordinator or the appropriate FEMA regional office. FEMA's User's Guide to Technical Bulletins (<http://www.fema.gov/pdf/fima/guide01.pdf>) lists the bulletins issued to date.

Ordering Technical Bulletins

The quickest and easiest way to acquire copies of FEMA's Technical Bulletins is to download them from the FEMA website (<http://www.fema.gov/plan/prevent/floodplain/techbul.shtm>).

Technical Bulletins also may be ordered free of charge from the FEMA Publications Warehouse by calling 1-800-480-2520, or by faxing a request to 301-362-5355, Monday through Friday between 8 a.m. and 5 p.m. EST. Please provide the FEMA publication number, title, and quantity of each publication requested, along with your name, address, zip code, and day-time telephone number. Written requests may also be submitted by mail to the following address:

FEMA Publications
P.O. Box 2012
Jessup, MD 20794

Further Information

The following sources provide further information concerning breakaway walls below elevated coastal buildings.

American Forest & Paper Association/American Wood Council, 2005, NDS: National Design Specification for Wood Construction.

American Society of Civil Engineers, Structural Engineering Institute. 2005. Flood Resistant Design and Construction, ASCE 24-05.

American Society of Civil Engineers, Structural Engineering Institute. 2005. Minimum Design Loads for Buildings and Other Structures, ASCE 7-05.

FEMA. 1991. Answers to Questions About Substantially Damaged Buildings. FEMA 213.

FEMA. 2000. Coastal Construction Manual, FEMA 55CD (3rd edition).

FEMA. 2005. FEMA 499: Home Builder's Guide to Coastal Construction Technical Fact Sheet Series.

FEMA. 2008. NFIP Technical Bulletin 1-08. Openings in Foundation Walls and Walls of Enclosures.

FEMA. 2008. NFIP Technical Bulletin 2-08. Flood Damage-Resistant Materials Requirements.

FEMA. 2008. NFIP Technical Bulletin 5-08. Free-of-Obstruction Requirements.

FEMA. 1996. NFIP Technical Bulletin 8-96. Corrosion Protection for Metal Connectors in Coastal Areas.

International Code Council, Inc., 2006. International Building Code®, IBC 2006.

International Code Council, Inc., 2006. International Residential Code®, IRC 2006.

Rogers, Spencer M. 1991. Foundations and Breakaway Walls of Small Coastal Buildings in Hurricane Hugo. Proceedings of Coastal Zone '91. American Society of Civil Engineers. New York, NY.

Tung, C.C.; Bohumil Kasal; Spencer M. Rogers, Jr.; S.C. Yeh. 1999. Behavior of Breakaway Wall Subjected to Wave Forces: Analytical and Experimental Studies. North Carolina Sea Grant, North Carolina State University. Raleigh, NC.

Glossary

Base Flood — The flood having a 1-percent chance of being equaled or exceeded in any given year; commonly referred to as the “100-year flood.” The base flood is the national standard used by the NFIP and all Federal agencies for the purposes of requiring the purchase of flood insurance and regulating new development.

Base Flood elevation (BFE) — The height of the base (1-percent annual chance or 100-year) flood in relation to the specified datum on the community's flood hazard map, usually the National Geodetic Vertical Datum of 1929 (NGVD), or the North American Vertical Datum of 1988 (NAVD).

Breakaway wall — A wall that is not part of the structural support of the building and is intended through its design and construction to collapse under specified lateral loading forces, without causing damage to the elevated portion of the building or supporting foundation system.

Coastal A Zone — An area within a special flood hazard area, landward of a V zone or landward of an open coast without mapped V zones; in a Coastal A Zone, the principal source of flooding must be astronomical tides, storm surges, seiches, or tsunamis, not riverine flooding. During the base flood conditions, the potential for wave heights shall be greater than or equal to 1.5 feet. Coastal A Zones are not normally designated on FIRMs.

Coastal High Hazard Area — An area of special flood hazard extending from offshore to the inland limit of a primary frontal dune along an open coast and any other area subject to high-velocity wave action from storms or seismic sources.

Detailing — The design practice of using structural and architectural drawings and specifications to arrange, configure, and connect structural and nonstructural building components of a building system. Design details convey to the contractor exactly how the structural and nonstructural components of a building should be built.

Federal Emergency Management Agency (FEMA) — The Federal agency that, in addition to carrying out other activities, administers the National Flood Insurance Program.

Flood Insurance Rate Map (FIRM) — The official map of a community on which FEMA has delineated both the Special Flood Hazard Areas (SFHAs) and the risk premium zones applicable to the community.

Hydrodynamic load — The load imposed on an immersed object, such as a foundation element or enclosure wall, by water flowing against and around it. The magnitude of the hydrodynamic load varies as a function of velocity and other factors.

Hydrostatic load — The load imposed on an immersed object such as an enclosure wall, by standing or slowly moving water. The magnitude of the hydrostatic load increases linearly with water depth.

Limit of Moderate Wave Action (LiMWA) — The boundary line given by FEMA on coastal map studies marking the extents of Coastal A Zones.

Lowest floor — The lowest floor of the lowest enclosed area of a building, including a basement. Any NFIP-compliant, unfinished or flood-resistant enclosure usable solely for parking of vehicles, building access, or storage (in an area other than a basement) is not considered a building's lowest floor, provided the enclosure does not render the structure in violation of the applicable design requirements of the NFIP.

Mitigation Directorate — The component of FEMA directly responsible for administering the flood hazard identification and floodplain management aspects of the NFIP.

New construction — For floodplain management purposes, new construction means structures for which the start of construction commences on or after the effective date of a floodplain management regulation adopted by a community and includes subsequent improvements to the structure.

Registered Design Professional — An individual who is registered or licensed to practice their respective design profession as defined by the statutory requirements of the professional registration laws of the State or jurisdiction in which the project is to be constructed.

Special Flood Hazard Area (SFHA) — An area delineated on a FIRM as being subject to inundation by the base flood.

Standard residential garage door — A door, typically up to 18 feet wide by up to 8 feet tall, intended for use in a residential garage for vehicular access and normally expected to be operated less than 1,500 cycles per year.

Substantial damage — Damage of any origin sustained by a structure whereby the cost of restoring the structure to its before-damaged condition would equal or exceed 50 percent of the market value of the structure before the damage occurred. Structures that are determined to be substantially damaged are considered to be substantial improvements, regardless of the actual repair work performed.

Substantial improvement — Any reconstruction, rehabilitation, addition, or other improvement of a structure, the cost of which equals or exceeds 50 percent of the market value of the structure (or smaller percentage if established by the community) before the “start of construction” of the improvement. This term includes structures that have incurred “substantial damage,” regardless of the actual repair work performed.