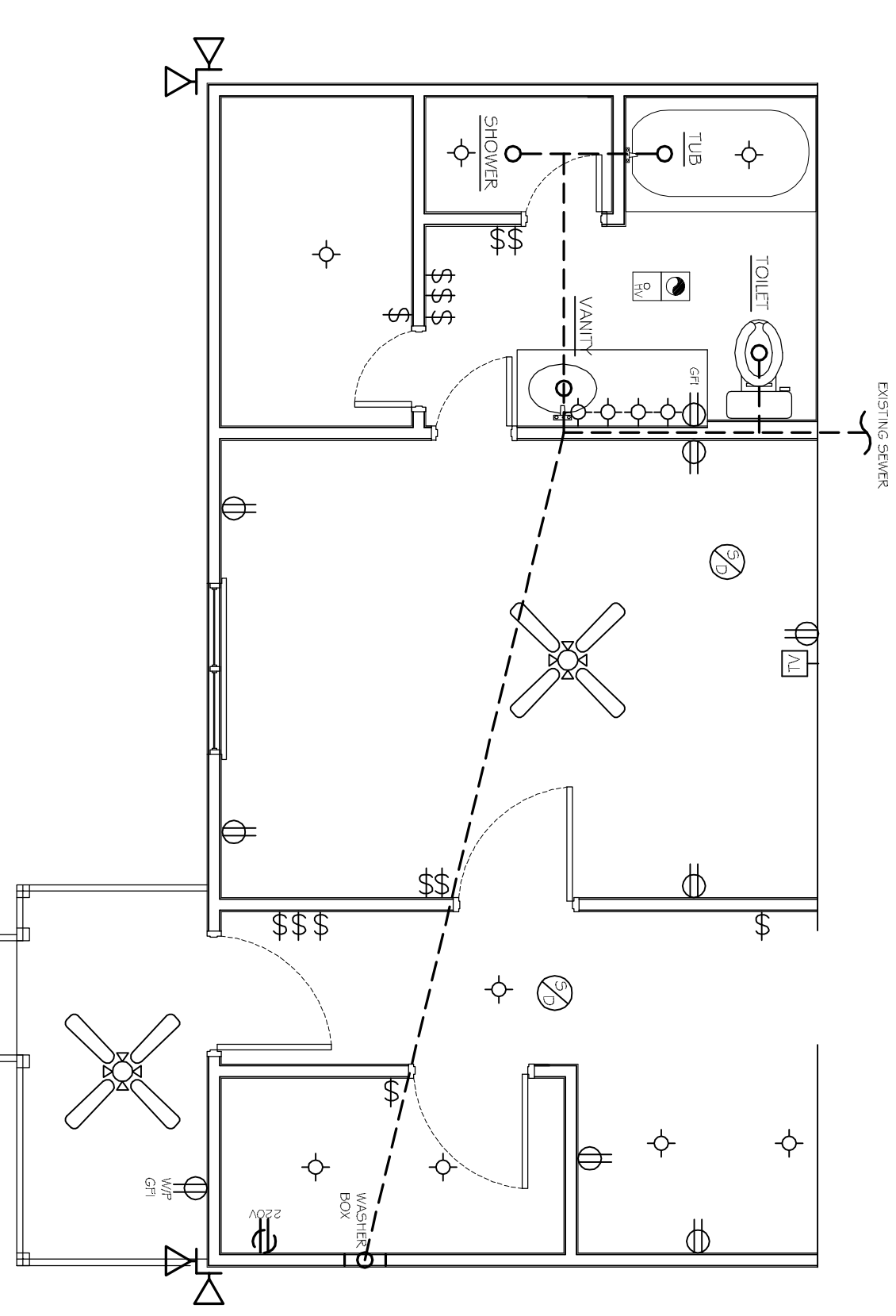
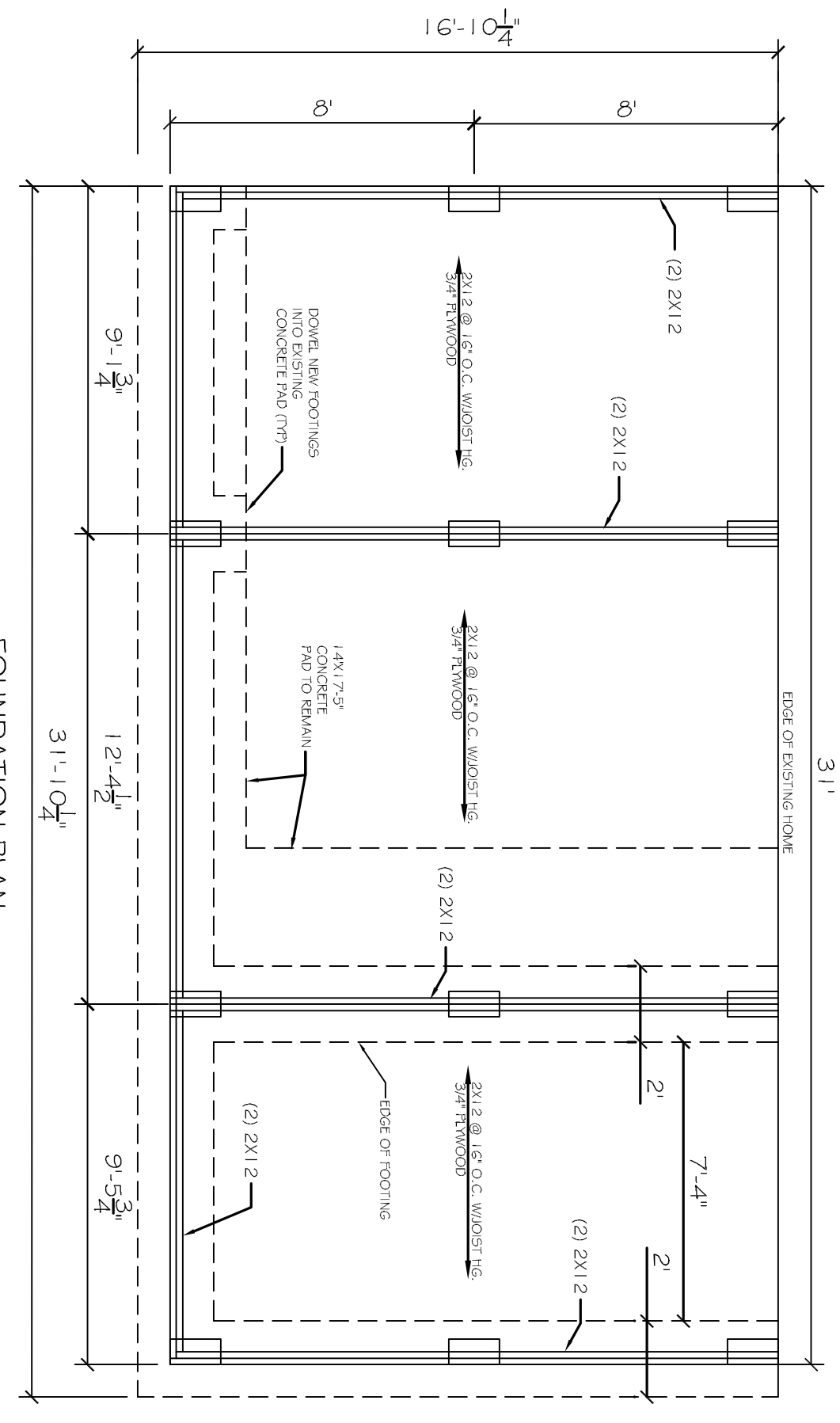


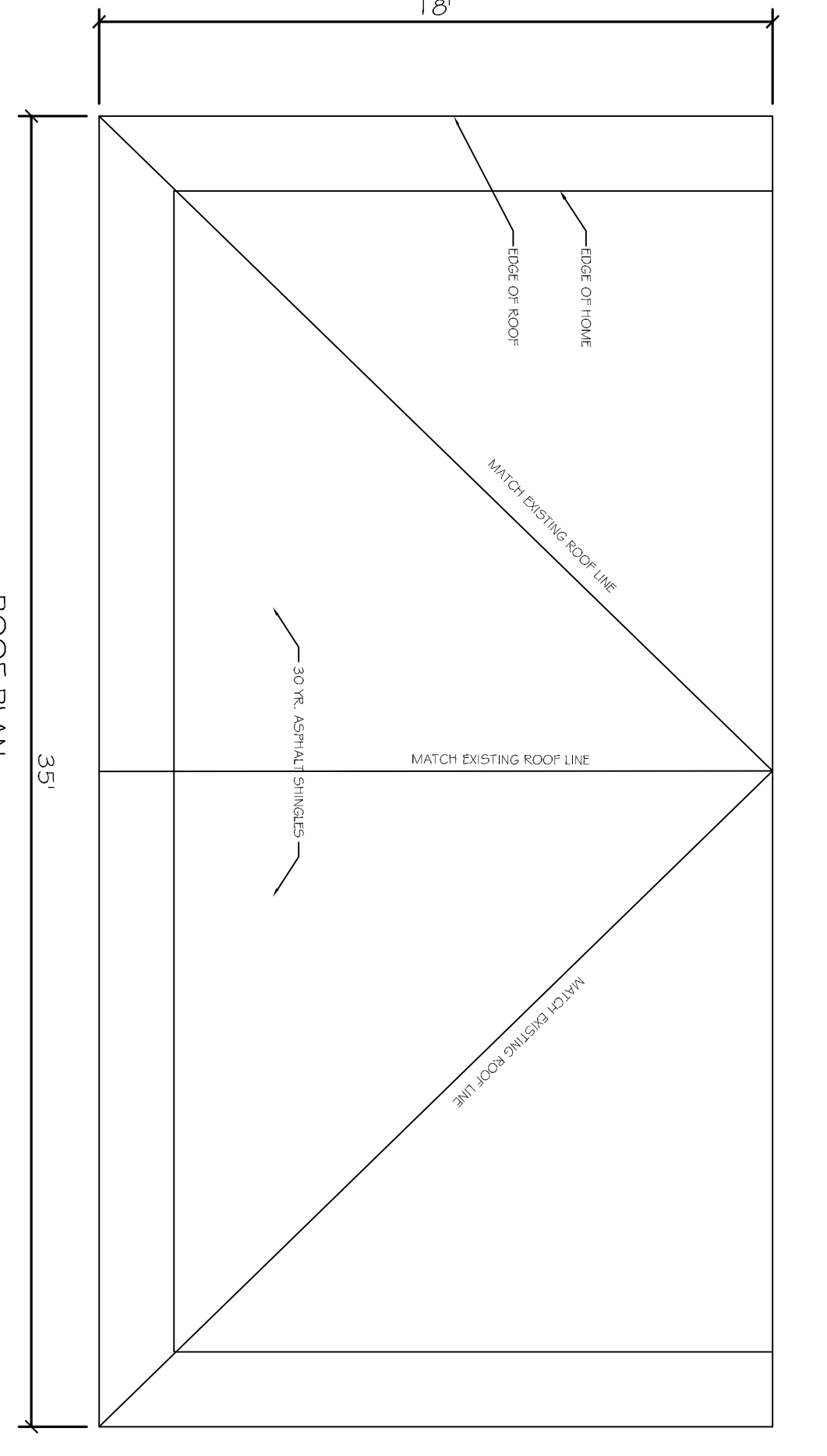
FLOOR PLAN  
SCALE: 1/4" = 1'-0"



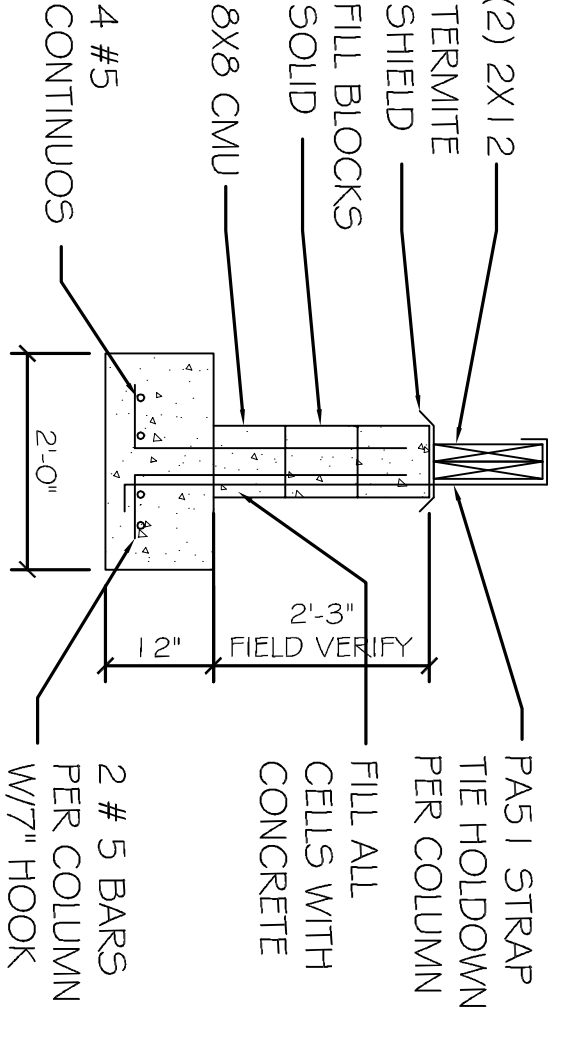
PLUMBING & ELECTRICAL PLAN  
SCALE: 1/4" = 1'-0"



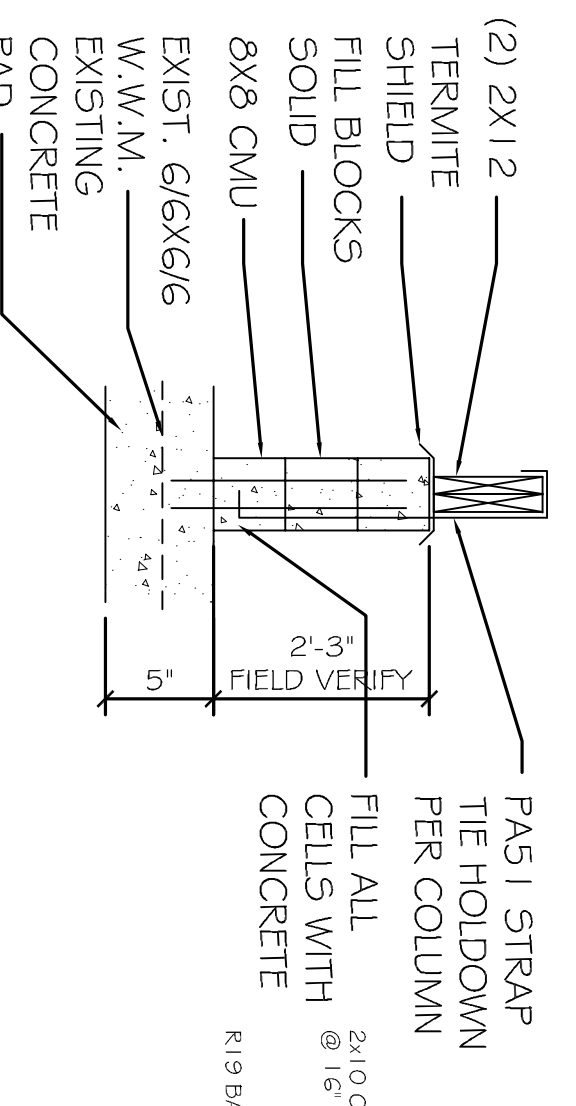
FOUNDATION PLAN  
SCALE: 1/4" = 1'-0"



ROOF PLAN  
SCALE: 1/4" = 1'-0"



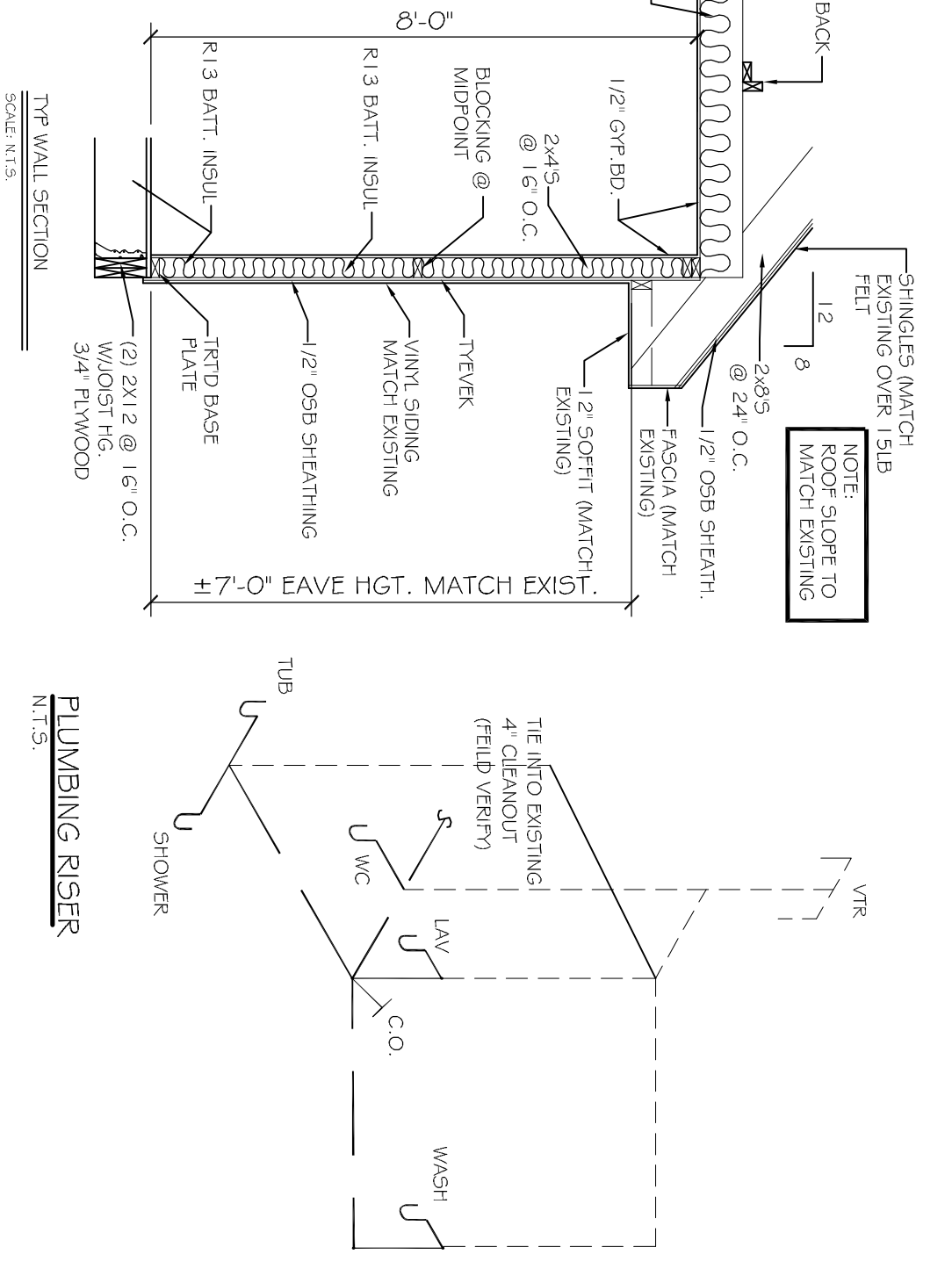
TYP. NEW FOOTING SECTION  
SCALE: N.T.S.



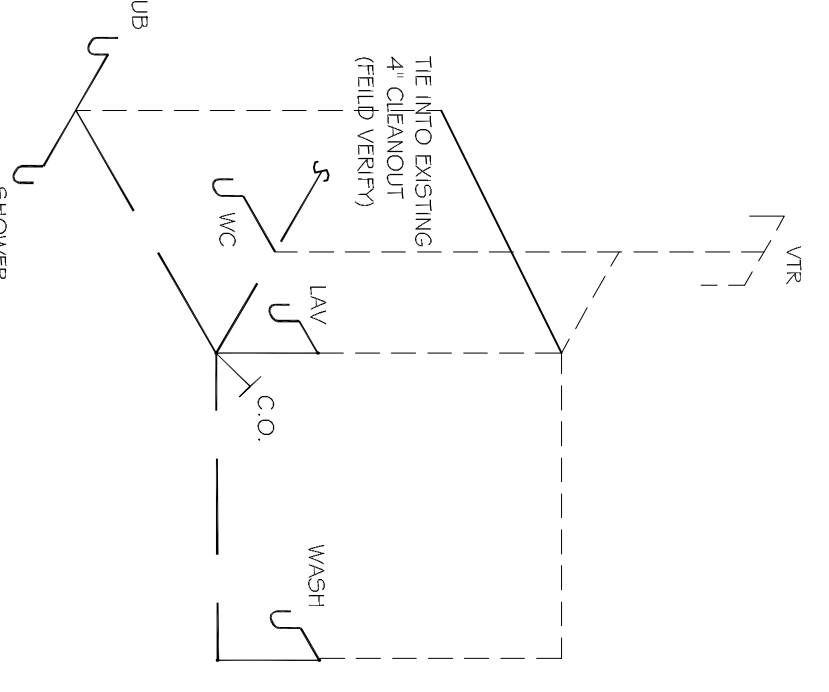
TYP. FOOTING SECTION INTO EXIST. PAD  
SCALE: N.T.S.

- FOUNDATION NOTES:
1. CONTRACTOR SHALL FIELD VERIFY ALL DIMENSIONS, DIMENSIONS PRIOR TO COMMENCING WORK.
  2. DIRT SHALL BE INSTALLED IN 6" LIFTS AND COMPACTED.
  3. TREAT SOIL BELOW SLABS FOR TERMITES.
  4. CONCRETE MIX SHALL BE 3000 PSI, MINIMUM.

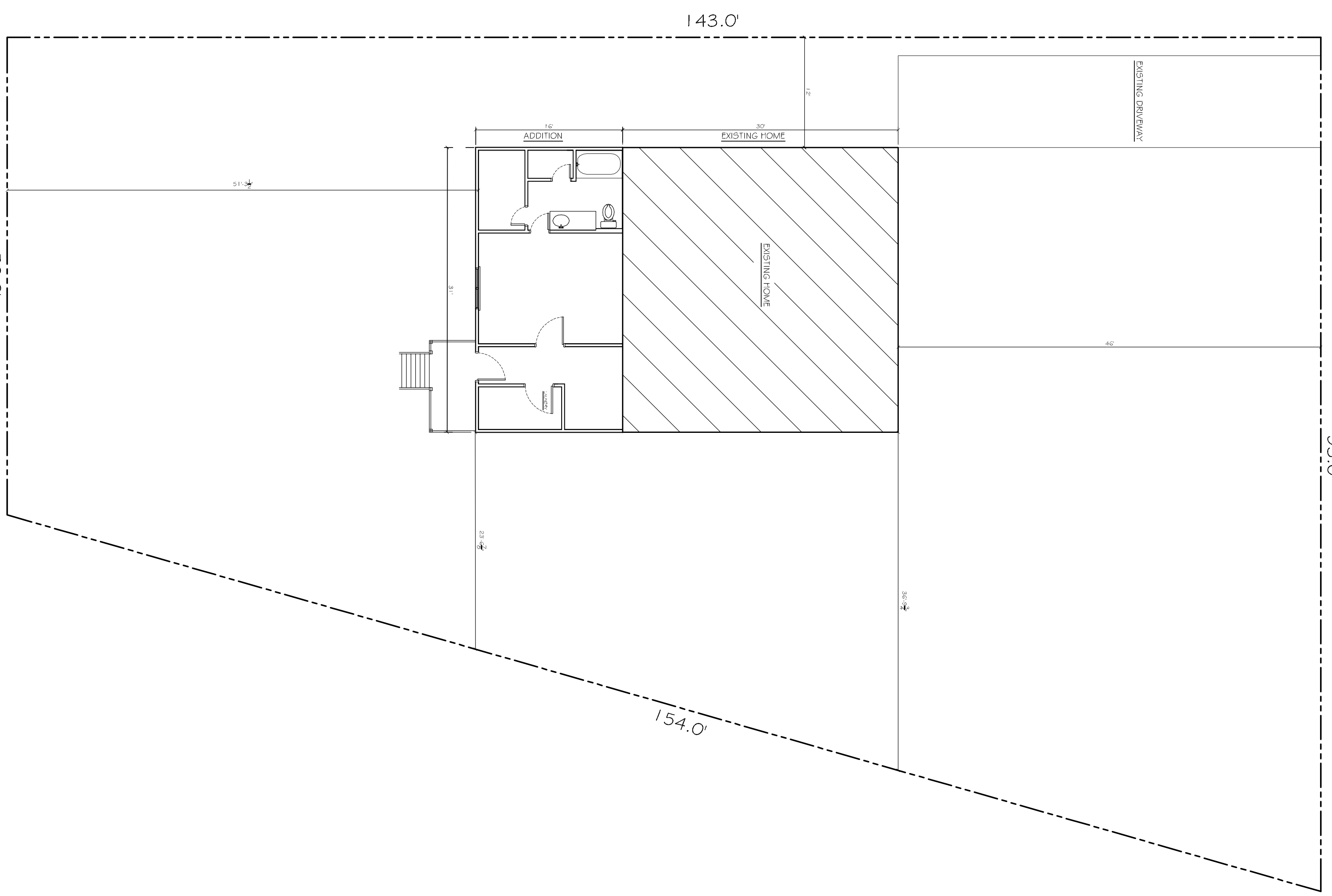
- DESIGN CRITERIA:
- THE CONSTRUCTION FOR SAID RESIDENCE, WHERE BASIC ZONING IS DESIGNATED IN ACCORDANCE WITH AMERICAN FOREST AND PAPER ASSOCIATION (AF&PA) WOOD FRAME CONSTRUCTION MANUAL FOR ONE AND TWO FAMILY DWELLINGS, SHALL BE IN ACCORDANCE WITH AS WELL AS THE INTERNATIONAL RESIDENTIAL CODE (IRC) 2009 EDITION.



TYP. WALL SECTION  
SCALE: N.T.S.



PLUMBING RISER  
SCALE: N.T.S.



SITE PLAN  
SCALE: 1" = 100'

3245 WILLIAM TELL

JOSH BEASLEY  
ADDITION  
3245 WILLIAM TELL ST.  
SLIDELL, LA  
70455

JOB No:	DATE: 09-10-2013
DRAWN BY: CKD	CHECKED BY: CKD



**DAMMON**  
ENGINEERING, INC.  
Architects & Engineers

CHIEF ENGINEER, EMMETT DAMMON, P.E.  
554 OLD SPANISH TRAIL  
SLIDELL, LA 70456

dammoneengineering.com  
dammoneg@bellsouth.net  
PHONE: 985-649-5832  
FAX: 985-641-5950

SITE/  
FLOOR  
PLANS

SHEET No: 01 OF 2

A-1