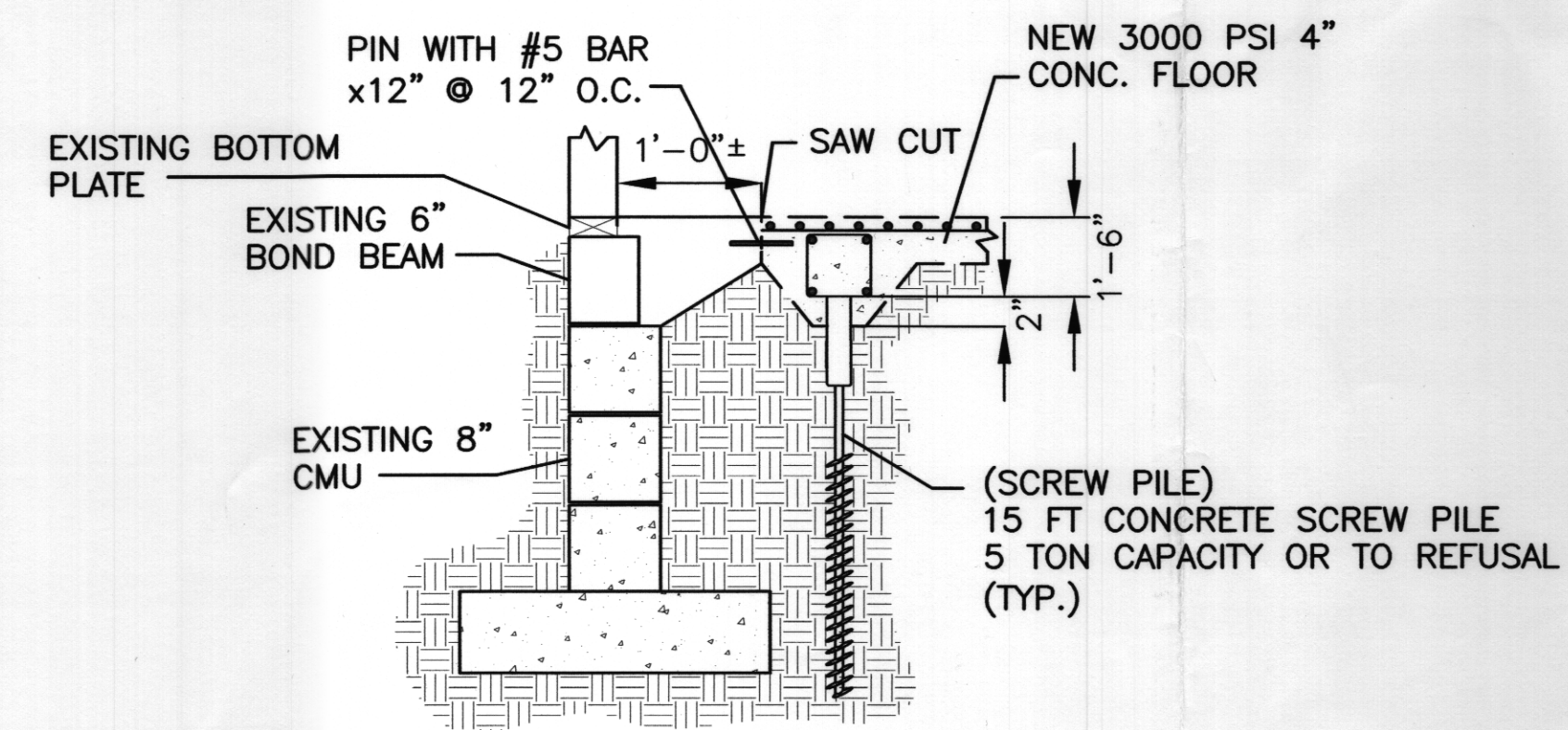


A SECTION
S1|S1 N.T.S.

FOUNDATION REPAIRS PLAN VIEW
SCALE: 1/4" = 1'-0"



B SECTION
S1|S1 N.T.S.

SCALE: AS NOTED

FILE:

JOB NO. 1606

DATE: 12-28-04

SHEET

S - 1

OF

REPAIR RESTAURANT FLOOR

FOUNDATION REPAIRS

DAMMON ENGINEERING, INC.
1095 FLORIDA AVENUE 965-649-5632 SLIDELL, LA. 70458
DAMMONENGINEERING.COM

JIM GRISWOLD
2117 E. GAUSE BOULEVARD
SLIDELL, LOUISIANA