

P3R(A,C) Series

Single Packaged Air Conditioner, Single Phase

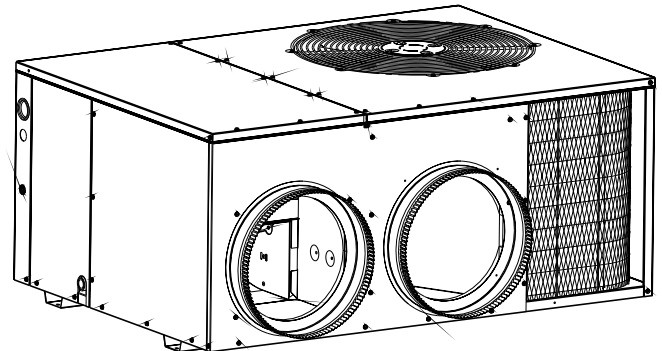
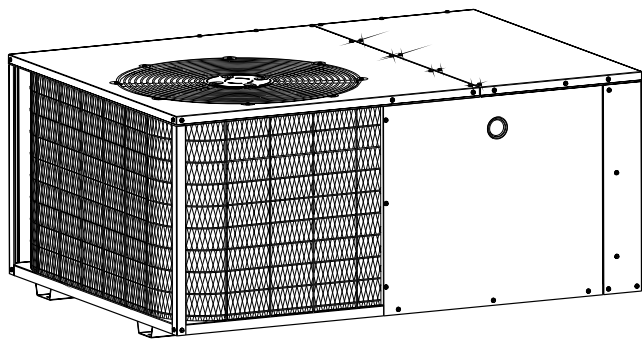
P3RA-10 SEER
2 thru 5 Ton Units

Cooling: 24,000 to 59,000 Btuh

P3RC-12 SEER
2 Ton thru 4 Ton Units

Cooling: 23,800 to 48,000 Btuh

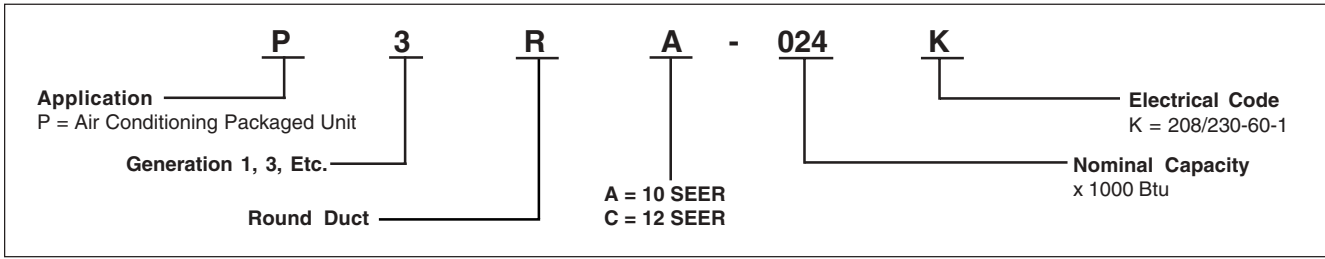
The P3 Series single packaged air conditioners are high efficiency self contained cooling and heating units that can be installed on a slab. Units are ETL and ETLc listed. The unit is truly designed with the contractor and the consumer in mind.



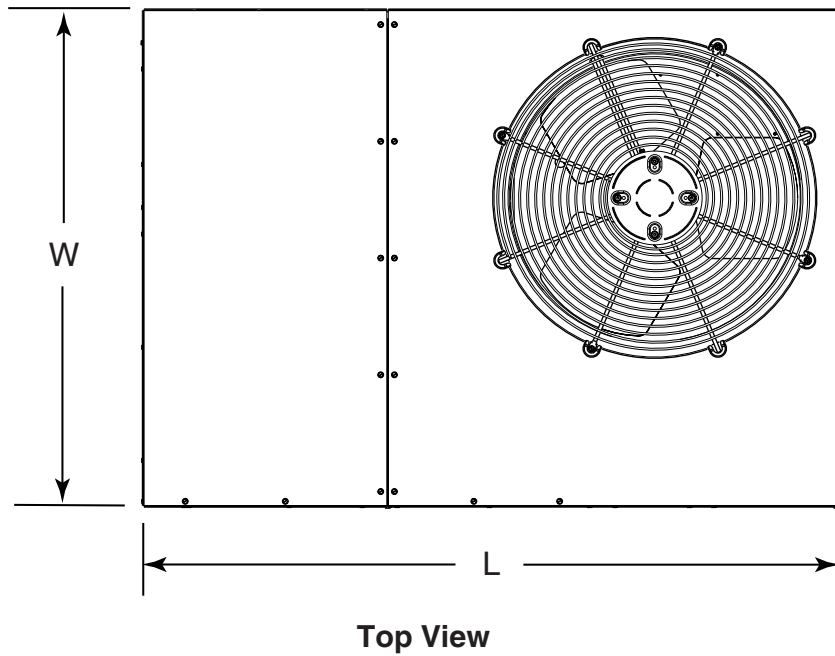
FEATURES AND BENEFITS

- **State-of-the-art compressor** is standard equipment.
- **Designed using galvanized steel** with a polyester urethane coat finish. The 950 hour salt spray finish resists corrosion 50% better than comparable units.
- **Both indoor and outdoor coils** are designed to optimize heat transfer, minimize size and cost, and increase durability and reliability.
- **A heavy duty PSC motor** for long lasting reliability and operation. Requires no maintenance and is completely protected from rain and snow.
- **The service valves are easily accessible** and simplify servicing of the refrigeration system.
- **A wire coil guard and mesh hail guard that will never rust** protects the coil from being damaged by balls, lawnmowers, hail, etc.
- **Designed to make servicing easier** for the contractor, access panels are provided to all major components and the compressor.
- **1" clearance** to combustibles on duct side of the unit allows for installations in tight areas.
- **Easy access** to evaporator for cleaning and general maintenance.
- **Drain trap** design optimizes drainage capabilities.
- **Easy to install** electric heat strip provides up to 20 kw of heat output.
- **Compact footprint and profile** make the P3 Series easy to install and transport.
- **Warranty** – The best in the industry.
 - 5 year limited parts
 - 2 year mileage
 - 2 year labor

MODEL IDENTIFICATION CODE



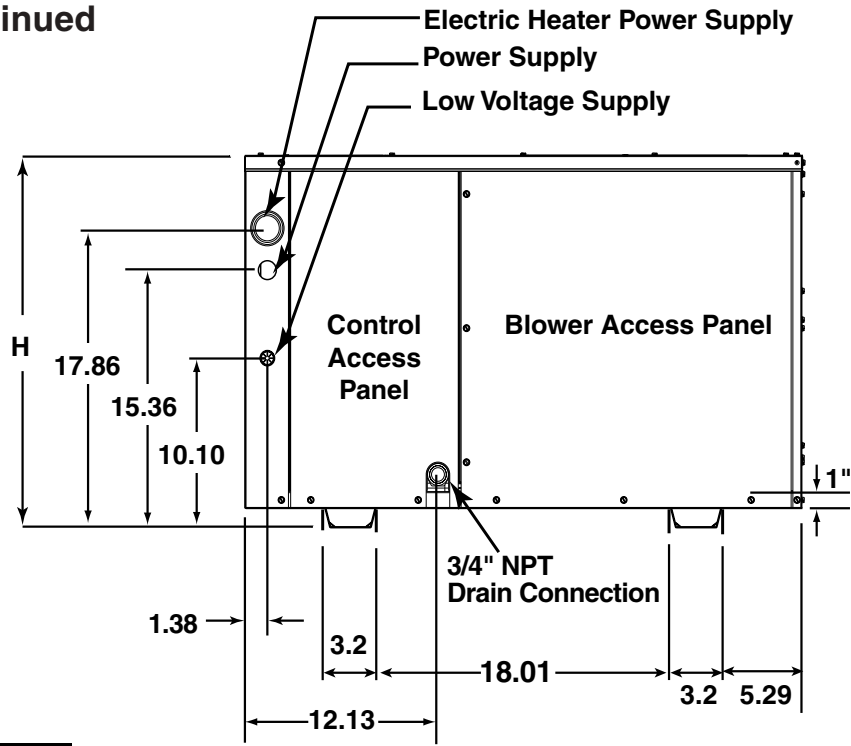
DIMENSIONS



| Model No. P3RA- | (L) Length | (W) Width | (H) Height |
|--------------------|---------------|--------------|---------------|
| 024K | 49 | 35 | 22.2 |
| 030K | 49 | 35 | 22.2 |
| 036K | 49 | 35 | 22.2 |
| 042K | 49 | 35 | 22.2 |
| 048K | 49 | 35 | 30.2 |
| 060K | 49 | 35 | 30.2 |

| Model No. P3RC- | (L) Length | (W) Width | (H) Height |
|--------------------|---------------|--------------|---------------|
| 024K | 49 | 35 | 22.2 |
| 030K | 49 | 35 | 22.2 |
| 036K | 49 | 35 | 22.2 |
| 042K | 49 | 35 | 30.2 |
| 048K | 49 | 35 | 30.2 |

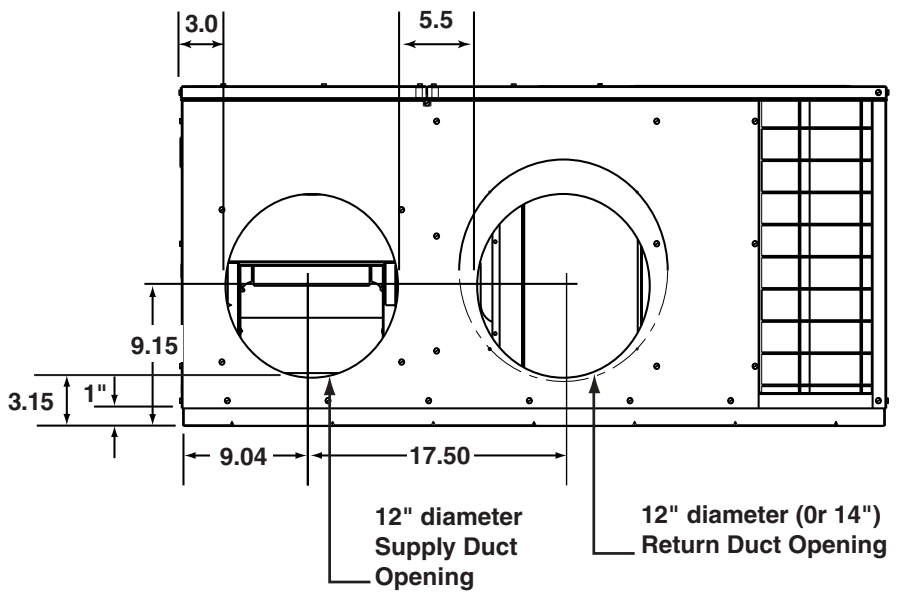
DIMENSIONS Continued



Side View

| Model P3RA- | Return Diameter (in) |
|-------------|----------------------|
| 024K | 12 |
| 030K | 12 |
| 036K | 12 |
| 042K | 12 |
| 048K | 14 |
| 060K | 14 |

| Model P3RC- | Return Diameter (in) |
|-------------|----------------------|
| 024K | 12 |
| 030K | 12 |
| 036K | 12 |
| 042K | 14 |
| 048K | 14 |



Back (Duct) View

PHYSICAL SPECIFICATIONS

P3RA Models

| Model No. P3RA- | 024K | 030K | 036K | 042K | 048K | 060K |
|------------------------------------|------------|------------|------------|------------|------------|------------|
| Electric Rating — 60 Hz (a) | | | | | | |
| Operating Voltage Range | 187 - 253 | 187 - 253 | 187 - 253 | 187 - 253 | 187 - 253 | 187 - 253 |
| Minimum Circuit Ampacity (a) | 14.9 | 20.4 | 21.8 | 25.8 | 31.6 | 38.1 |
| Field Wire Size — AWG (a) | 14 | 10 | 10 | 10 | 8 | 8 |
| Delay Fuse — Maximum (b) | 20 | 30 | 35 | 40 | 50 | 60 |
| Total Unit — AMPS | 12.4 | 17.0 | 18.1 | 21.3 | 26.1 | 31.3 |
| Compressor | | | | | | |
| Volts | 208 - 230 | 208 - 230 | 208 - 230 | 208 - 230 | 208 - 230 | 208 - 230 |
| Rated Load Amps | 9.8 | 13.7 | 14.8 | 17.9 | 21.8 | 27.0 |
| Lock Rotor Amps | 56.0 | 75.0 | 96.0 | 103.0 | 131.0 | 144.0 |
| Fan Motor and Condenser | | | | | | |
| Fan Motor — HP - RPM | 1/4 - 1100 | 1/4 - 1100 | 1/4 - 1100 | 1/3 - 1100 | 1/3 - 1100 | 1/3 - 1100 |
| Fan Motor — Amps | 1.2 | 1.2 | 1.2 | 1.3 | 1.3 | 1.3 |
| Fan Dia. — CFM | 20" - 2800 | 20" - 2800 | 20" - 2800 | 20" - 3000 | 20" - 3000 | 20" - 3000 |
| Motor and Evaporator | | | | | | |
| Blower Motor — HP - RPM | 1/4 - 980 | 1/3 - 1080 | 1/3 - 900 | 1/3 - 900 | 1/2 - 1000 | 1/2 - 1000 |
| Blower Motor — Amps | 1.4 | 2.1 | 2.1 | 2.1 | 3 | 3 |
| CFM @ E.S.P. — in. W.C. | 1000 @ .30 | 1320 @ .30 | 1390 @ .30 | 1390 @ .30 | 1730 @ .30 | 1680 @ .30 |
| Refrigerant — Oz. | 55 | 56 | 63 | 64 | 86 | 128 |
| Shipping Weight -- Lbs. | 275 | 280 | 280 | 285 | 325 | 375 |

P3RC Models

| Model No. P3RC- | 024K | 030K | 036K | 042K | 048K |
|------------------------------------|------------|------------|------------|------------|------------|
| Electric Rating — 60 Hz (a) | | | | | |
| Operating Voltage Range | 187 - 253 | 187 - 253 | 187 - 253 | 187 - 253 | 187 - 253 |
| Minimum Circuit Ampacity (a) | 15.4 | 20.1 | 21.7 | 22.7 | 28.3 |
| Field Wire Size — AWG (a) | 12 | 12 | 10 | 10 | 10 |
| Delay Fuse — Maximum (b) | 25 | 30 | 35 | 35 | 45 |
| Total Unit — AMPS | 12.8 | 16.7 | 18.0 | 21.3 | 28.0 |
| Compressor | | | | | |
| Volts | 208 - 230 | 208 - 230 | 208 - 230 | 208 - 230 | 208 - 230 |
| Rated Load Amps | 10.2 | 13.4 | 14.7 | 17.9 | 23.7 |
| Lock Rotor Amps | 56.0 | 72.5 | 83.0 | 104.0 | 129.0 |
| Fan Motor and Condenser | | | | | |
| Fan Motor — HP - RPM | 1/4 - 1100 | 1/4 - 1100 | 1/4 - 1100 | 1/3 - 1100 | 1/3 - 1100 |
| Fan Motor — Amps | 1.2 | 1.2 | 1.2 | 1.3 | 1.3 |
| Fan Dia. — CFM | 20" - 2800 | 20" - 2800 | 20" - 2800 | 20" - 3000 | 20" - 3000 |
| Motor and Evaporator | | | | | |
| Blower Motor — HP - RPM | 1/4 - 980 | 1/3 - 1080 | 1/3 - 900 | 1/3 - 900 | 1/2 - 1000 |
| Blower Motor — Amps | 1.4 | 2.1 | 2.1 | 2.1 | 3 |
| CFM @ E.S.P. — in. W.C. | 1000 @ .30 | 1320 @ .30 | 1390 @ .30 | 1590 @ .30 | 1730 @ .30 |
| Refrigerant — Oz. | 55 | 66 | 96 | 104 | 135 |
| Shipping Weight -- Lbs. | 275 | 285 | 295 | 340 | 370 |

(a) Amperage and wire size based on refrigeration system only. See Electrical Data tables for supplemental electric heaters. Refer to National Electric Code for additional derating factors for field installed conductors.

(b) Use time delay fuse or "HACR" type circuit breaker.

SYSTEM HEATING AND COOLING CAPACITIES

| Model Number P3RA- | Cooling Btuh | SEER |
|-----------------------|-----------------|------|
| 024K | 24,000 | 10 |
| 030K | 30,000 | 10 |
| 036K | 35,400 | 10 |
| 042K | 40,500 | 10 |
| 048K | 47,500 | 10 |
| 060K | 59,000 | 10 |

| Model Number P3RC- | Cooling Btuh | SEER |
|-----------------------|-----------------|------|
| 024K | 23,800 | 12 |
| 030K | 30,000 | 12 |
| 036K | 35,000 | 12 |
| 042K | 42,000 | 12 |
| 048K | 48,000 | 12 |

BLOWER PERFORMANCE

| Model Number P3RA- | | External Static Pressure (in. WC) | | | | | |
|-----------------------|------|-----------------------------------|------|------|------|------|------|
| | | 0.1 | 0.2 | 0.3 | 0.4 | 0.5 | 0.6 |
| 024K | High | 1120 | 1060 | 1000 | 930 | 860 | 750 |
| | Low | 840 | 800 | 760 | 710 | 610 | N/A |
| 030K | High | 1450 | 1380 | 1320 | 1240 | 1150 | 1050 |
| | Low | 1070 | 1050 | 1030 | 980 | 930 | N/A |
| 036K | High | 1480 | 1440 | 1390 | 1330 | 1270 | 1190 |
| | Low | 1270 | 1230 | 1190 | 1140 | 1080 | 1000 |
| 042K | High | 1480 | 1430 | 1390 | 1330 | 1270 | 1190 |
| | Low | 1270 | 1220 | 1180 | 1140 | 1080 | 1010 |
| 048K | High | 1840 | 1780 | 1730 | 1650 | 1580 | 1500 |
| | Low | 1700 | 1650 | 1590 | 1540 | 1470 | 1390 |
| 060K | High | 1800 | 1740 | 1680 | 1620 | 1540 | 1470 |
| | Low | 1660 | 1610 | 1560 | 1500 | 1430 | 1360 |

| COPPER WIRE SIZE — AWG (1% Voltage Drop) | | | | |
|---|-----|-----|----|----------------|
| Supply Wire Length-Feet | | | | Supply Circuit |
| 200 | 150 | 100 | 50 | Ampacity |
| 6 | 8 | 10 | 14 | 15 |
| 4 | 6 | 8 | 12 | 20 |
| 4 | 6 | 8 | 10 | 25 |
| 4 | 4 | 6 | 10 | 30 |
| 3 | 4 | 6 | 8 | 35 |
| 3 | 4 | 6 | 8 | 40 |
| 2 | 3 | 4 | 6 | 45 |
| 2 | 3 | 4 | 6 | 50 |

Wire Size based on N.E.C. for 60° type copper conductors.

| Model Number P3RC- | | External Static Pressure (in. WC) | | | | | |
|-----------------------|------|-----------------------------------|------|------|------|------|------|
| | | 0.1 | 0.2 | 0.3 | 0.4 | 0.5 | 0.6 |
| 024K | High | 1120 | 1060 | 1000 | 930 | 860 | 750 |
| | Low | 840 | 800 | 760 | 710 | 610 | N/A |
| 030K | High | 1450 | 1380 | 1320 | 1240 | 1150 | 1050 |
| | Low | 1070 | 1050 | 1030 | 980 | 930 | N/A |
| 036K | High | 1480 | 1440 | 1390 | 1330 | 1270 | 1190 |
| | Low | 1270 | 1230 | 1190 | 1140 | 1080 | 1000 |
| 042K | High | 1480 | 1430 | 1390 | 1330 | 1270 | 1190 |
| | Low | 1270 | 1220 | 1180 | 1140 | 1080 | 1010 |
| 048K | High | 1840 | 1780 | 1730 | 1650 | 1580 | 1500 |
| | Low | 1700 | 1650 | 1590 | 1540 | 1470 | 1390 |

ACCESSORIES

Heater Application Matrix

| Model Number P3RA- | Motor Speed | H3HK-005H-01A 917166A | H3HK-008H-01A 917167A | H3HK-010H-01A 917168A | H3HK-015H-01A 917169A | H3HK-020H-01A 917170A | H3HK-015H-21A 917172A | H3HK-020H-21A 917173A |
|-----------------------|-------------|--------------------------|--------------------------|--------------------------|--------------------------|--------------------------|--------------------------|--------------------------|
| 024K | High | X(0) | X(0) | X(0) | NA | NA | NA | NA |
| | Low | X(0) | X(0) | X(0) | NA | NA | NA | NA |
| 030K | High | X(0) | X(0) | X(0) | X(2) | NA | X(0) | NA |
| | Low | X(0) | X(0) | X(0) | X(2) | NA | X(0) | NA |
| 036K | High | X(0) | X(0) | X(0) | X(2) | NA | X(0) | NA |
| | Low | X(0) | X(0) | X(0) | X(2) | NA | X(0) | NA |
| 042K | High | X(0) | X(0) | X(0) | X(2) | X(3) | X(0) | X(1) |
| | Low | X(0) | X(0) | X(0) | X(2) | X(3) | X(0) | X(1) |
| 048K | High | X(0) | X(0) | X(0) | X(2) | X(3) | X(0) | X(1) |
| | Low | X(0) | X(0) | X(0) | X(2) | X(3) | X(0) | X(1) |
| 060K | High | X(0) | X(0) | X(0) | X(2) | X(3) | X(0) | X(1) |
| | Low | X(0) | X(0) | X(0) | X(2) | X(3) | X(0) | X(1) |

| Model Number P3RC- | Motor Speed | H3HK-005H-01A 917166A | H3HK-008H-01A 917167A | H3HK-010H-01A 917168A | H3HK-015H-01A 917169A | H3HK-020H-01A 917170A | H3HK-015H-21A 917172A | H3HK-020H-21A 917173A |
|-----------------------|-------------|--------------------------|--------------------------|--------------------------|--------------------------|--------------------------|--------------------------|--------------------------|
| 024K | High | X(0) | X(0) | X(0) | NA | NA | NA | NA |
| | Low | X(0) | X(0) | X(0) | NA | NA | NA | NA |
| 030K | High | X(0) | X(0) | X(0) | X(2) | NA | X(0) | NA |
| | Low | X(0) | X(0) | X(0) | X(2) | NA | X(0) | NA |
| 036K | High | X(0) | X(0) | X(0) | X(2) | NA | X(0) | NA |
| | Low | X(0) | X(0) | X(0) | X(2) | NA | X(0) | NA |
| 042K | High | X(0) | X(0) | X(0) | X(2) | X(3) | X(0) | X(1) |
| | Low | X(0) | X(0) | X(0) | X(2) | X(3) | X(0) | X(1) |
| 048K | High | X(0) | X(0) | X(0) | X(2) | X(3) | X(0) | X(1) |
| | Low | X(0) | X(0) | X(0) | X(2) | X(3) | X(0) | X(1) |

Duct Kits

NA = Not Approved

() = Number of internal circuit breaker kits required.

| Description | Part Number |
|--|-------------|
| MHFK-12-SW (Single Wide Fitting Kit - 12") | 911468A |
| MHFK-12-DW (Double Wide Fitting Kit - 12") | 911469A |
| MHFK-14-SW (Single Wide Fitting Kit - 14") | 914957 |
| MHFK-14-DW (Double Wide Fitting Kit - 14") | 914956 |
| UFK-2RMI, 12"x12"x12" "Y" fitting with 2 clamps | 911470 |
| Clamps, 10-14" diameter | 668659 |

Heater Kit Accessories

| Description | Part Number |
|---------------------------------------|-------------|
| 4-Pole single circuit adaptor | 913350 |
| 6-Pole single circuit adaptor | 913556 |
| Circuit Breaker Single Phase (2-pole) | 913554 |



CERTIFICATION APPLIES ONLY WHEN THE COMPLETE SYSTEM IS LISTED WITH ARI

We Encourage Professionalism



Through Technician Certification by NATE



NAHB

800B-1104

O'Fallon, MO

NORDYNE

Before purchasing this appliance, read important energy cost and efficiency information available from your retailer. Specifications and illustrations subject to change without notice and without incurring obligations. Printed in U.S.A. (11/04)