

Fig. 1
International Symbol of Access



Fig. 2
International Symbol of Access with person in wheelchair



Fig. 3
International Symbol of Access with person in wheelchair and person with white cane

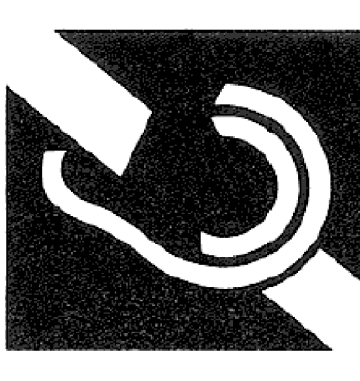


Fig. 4
International Symbol of Access with person in wheelchair and person with white cane

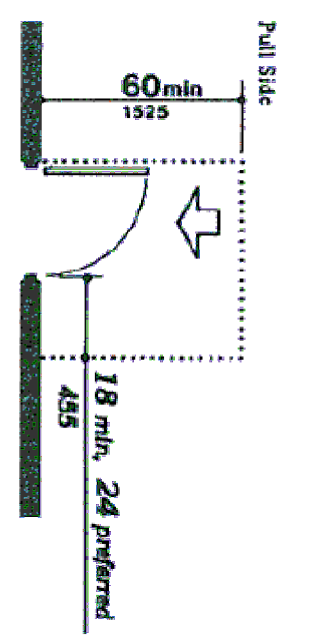


Fig. 5
Side Approach - Swingling Doors

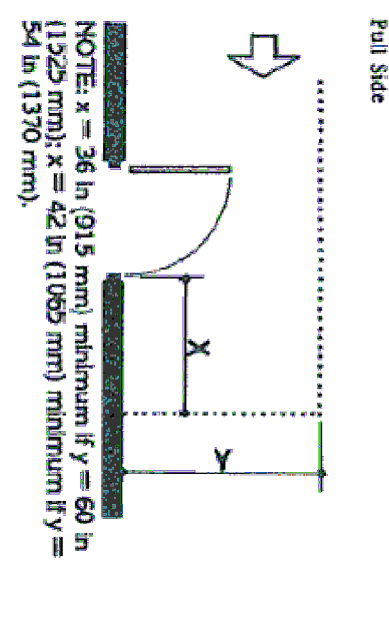


Fig. 6
Front Approach - Swingling Doors

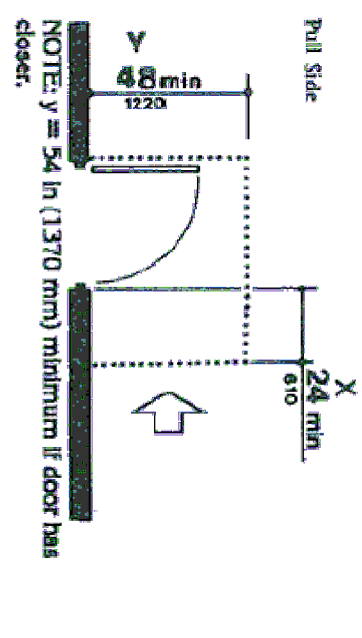


Fig. 7
Side Approach - Swingling Doors

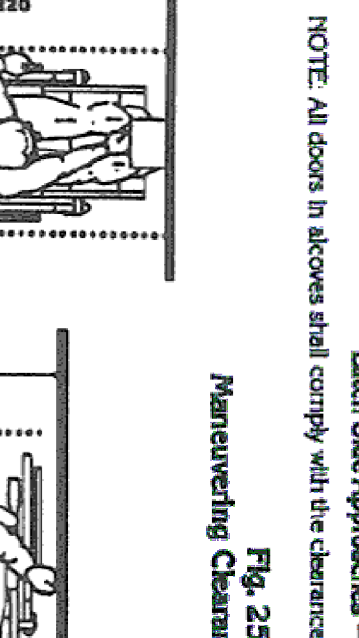


Fig. 8
Front Approach - Swingling Doors

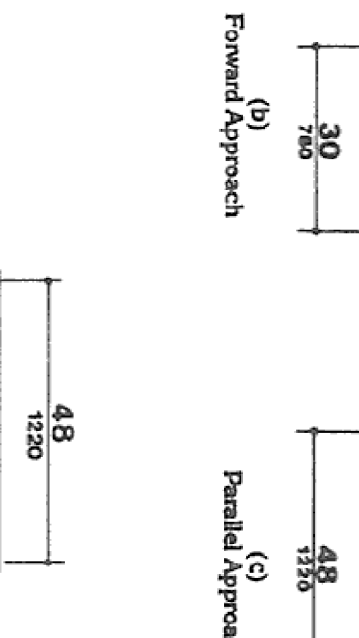


Fig. 9
Side Approach - Sliding Doors

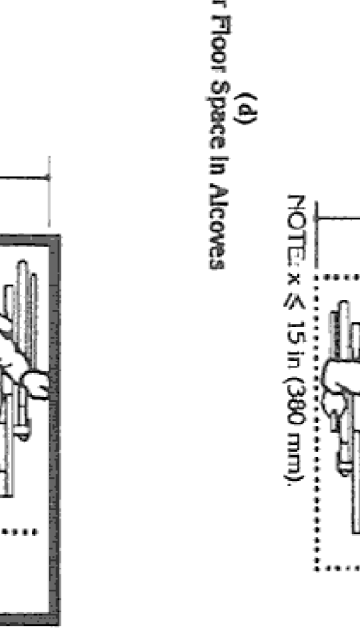


Fig. 10
Front Approach - Sliding Doors

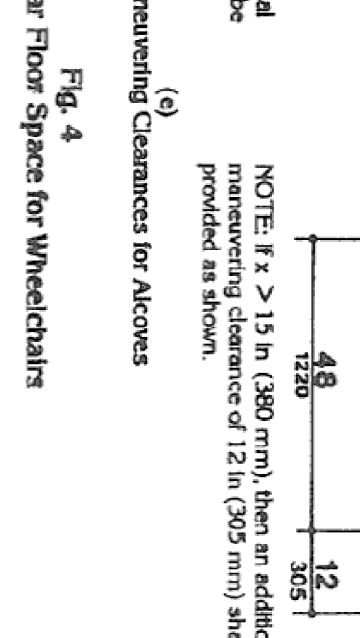


Fig. 11
Side Approach - Sliding Doors

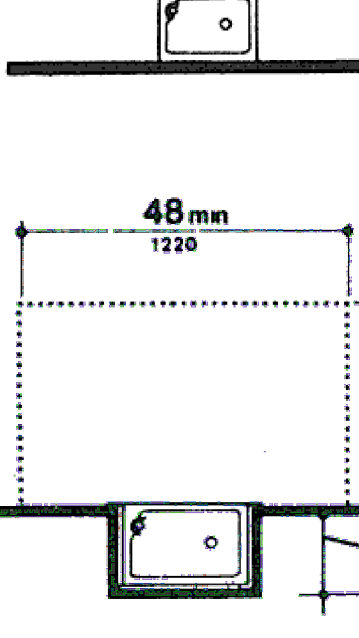


Fig. 12
Front Approach - Sliding Doors

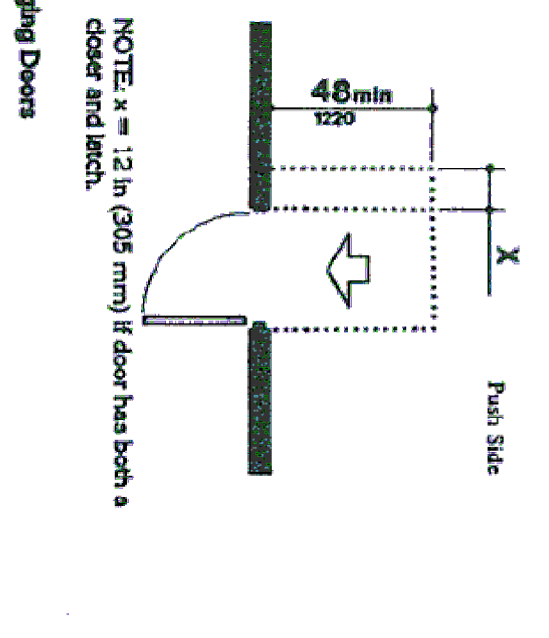


Fig. 13
Side Approach - Swingling Doors

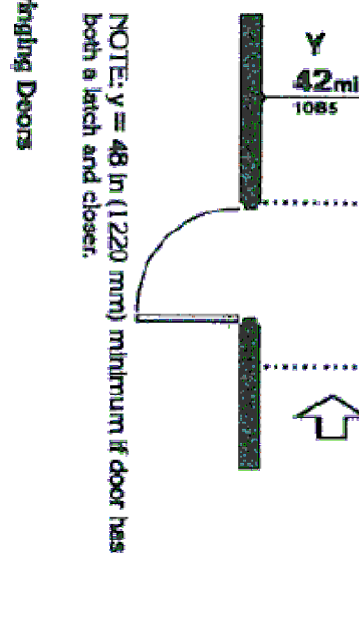


Fig. 14
Front Approach - Swingling Doors

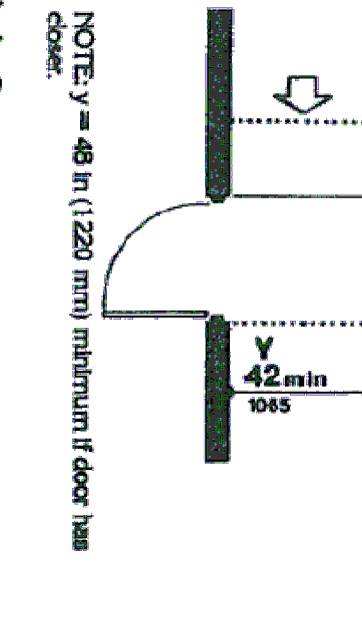


Fig. 15
Side Approach - Sliding Doors

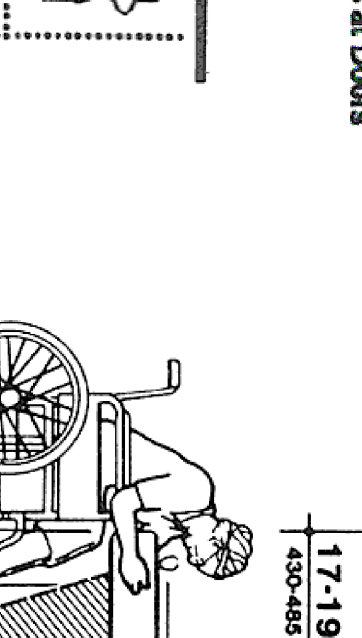


Fig. 16
Front Approach - Sliding Doors



Fig. 17
Side Approach - Sliding Doors

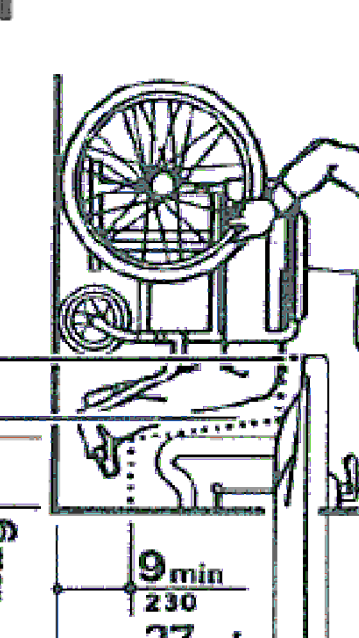


Fig. 18
Front Approach - Sliding Doors

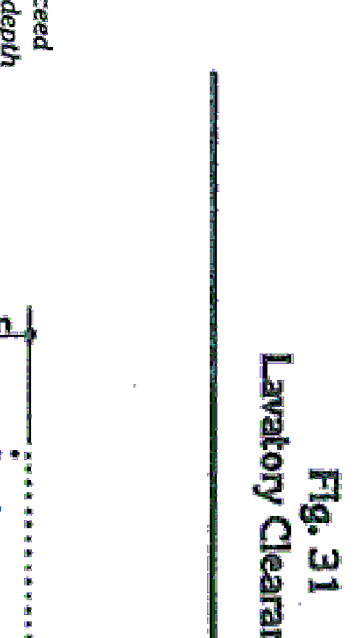


Fig. 19
Side Approach - Sliding Doors



Fig. 20
Front Approach - Sliding Doors

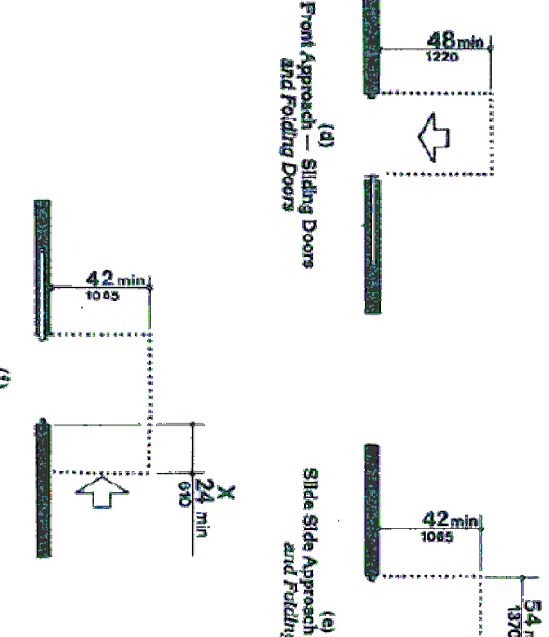


Fig. 21
Side Approach - Swingling Doors

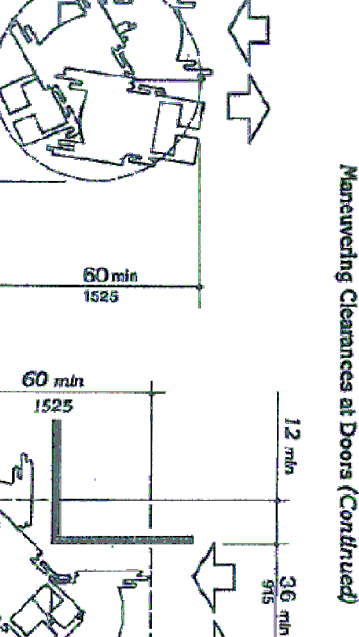


Fig. 22
Front Approach - Swingling Doors

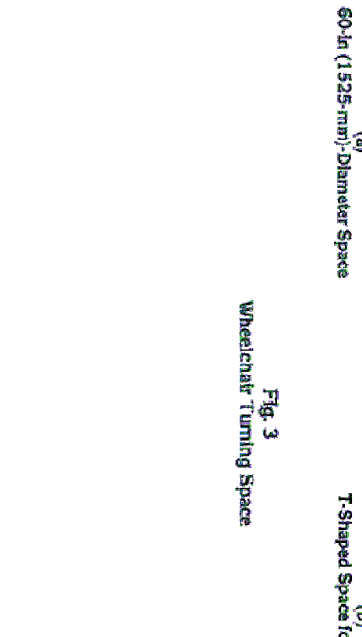


Fig. 23
Side Approach - Sliding Doors

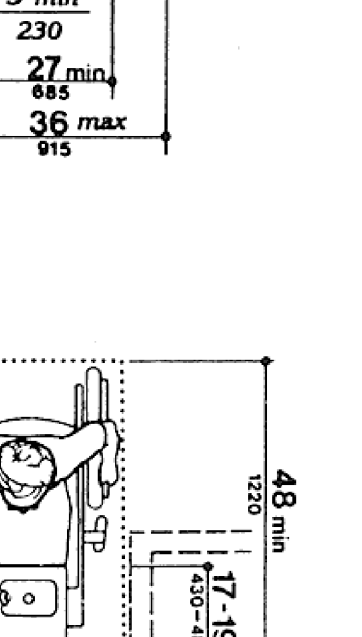


Fig. 24
Front Approach - Sliding Doors



Fig. 25
Side Approach - Sliding Doors

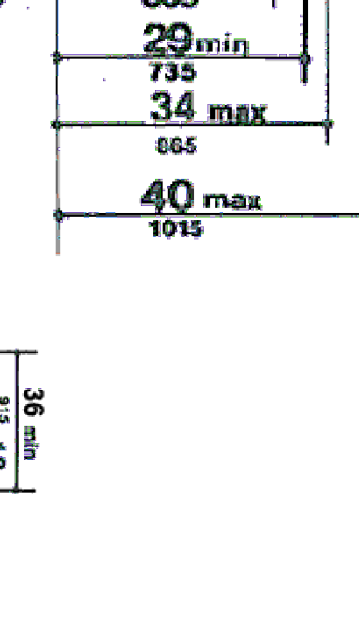


Fig. 26
Front Approach - Sliding Doors

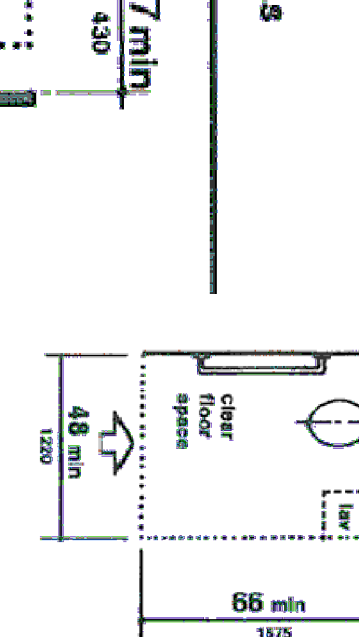


Fig. 27
Side Approach - Sliding Doors



Fig. 28
Front Approach - Sliding Doors

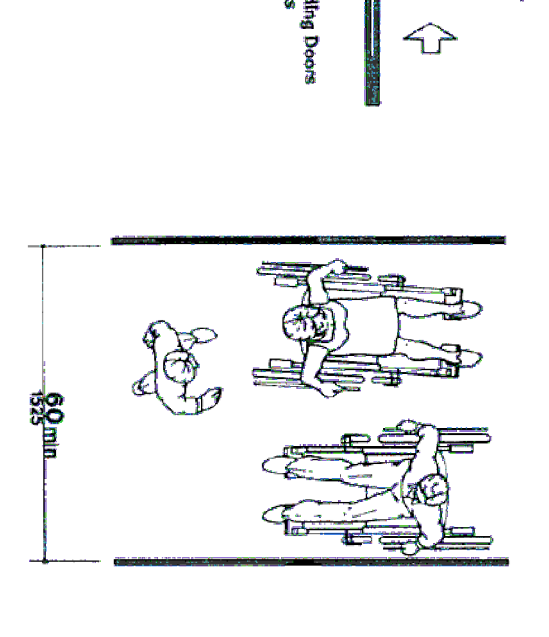


Fig. 29
Side Approach - Swingling Doors

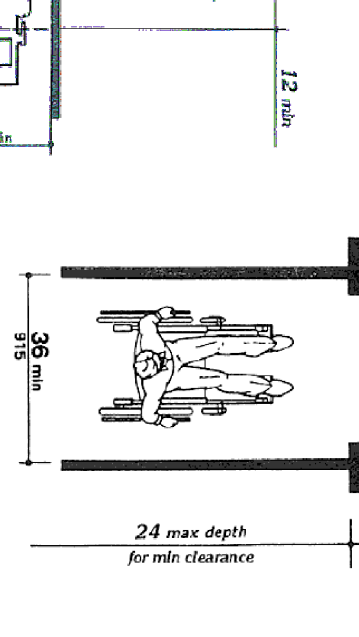


Fig. 30
Front Approach - Swingling Doors

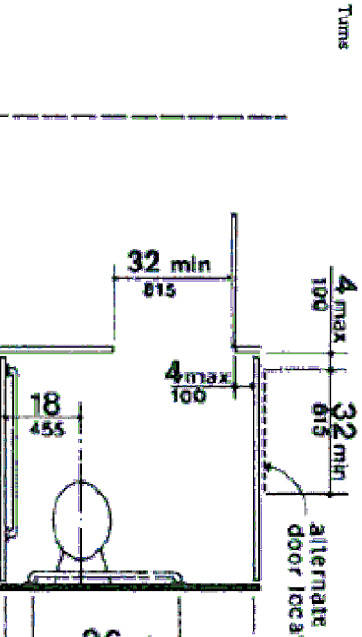


Fig. 31
Side Approach - Sliding Doors

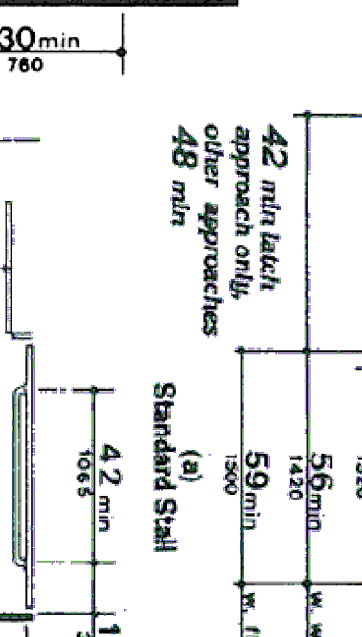


Fig. 32
Front Approach - Sliding Doors

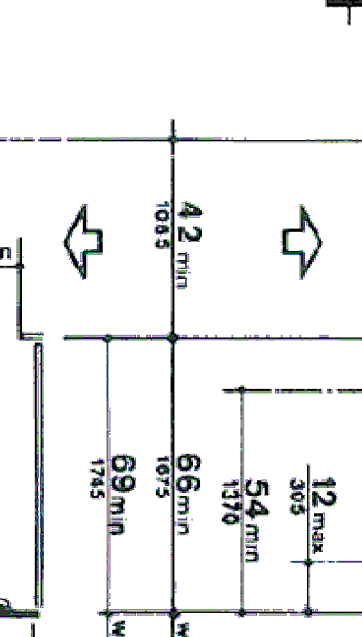


Fig. 33
Side Approach - Sliding Doors

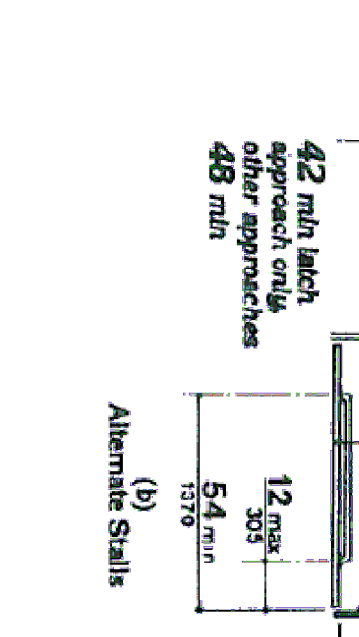


Fig. 34
Front Approach - Sliding Doors

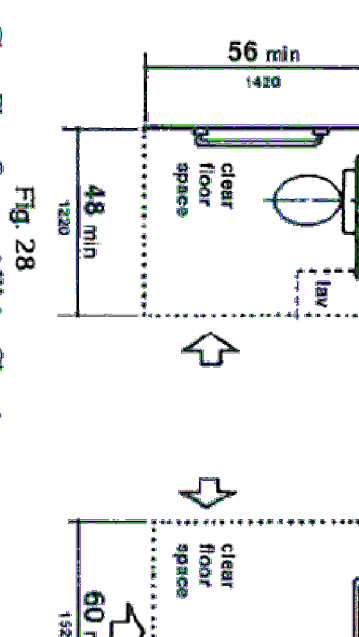


Fig. 35
Side Approach - Sliding Doors

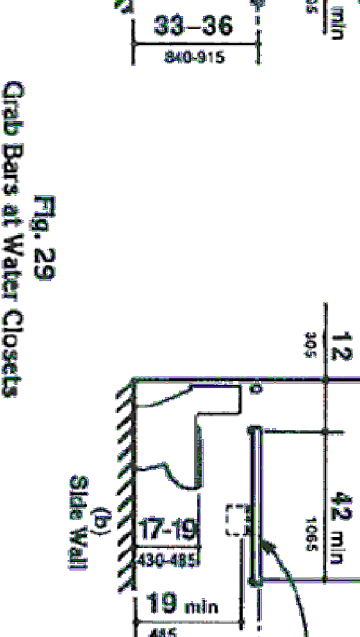


Fig. 36
Front Approach - Sliding Doors

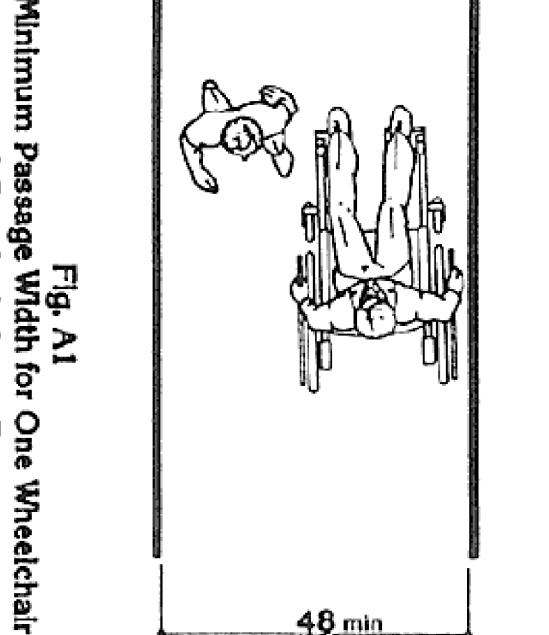


Fig. 37
Side Approach - Swingling Doors

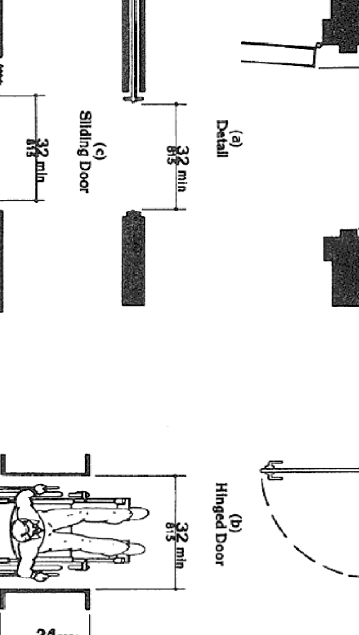


Fig. 38
Front Approach - Swingling Doors

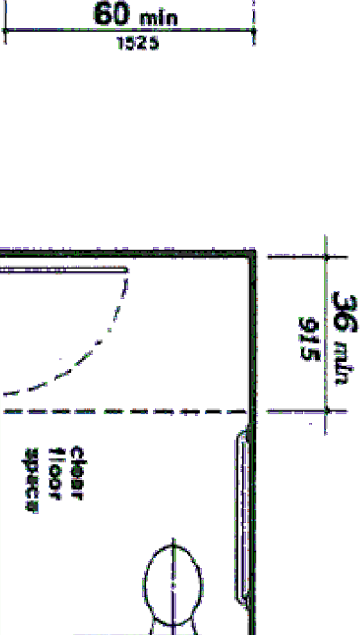


Fig. 39
Side Approach - Sliding Doors



Fig. 40
Front Approach - Sliding Doors

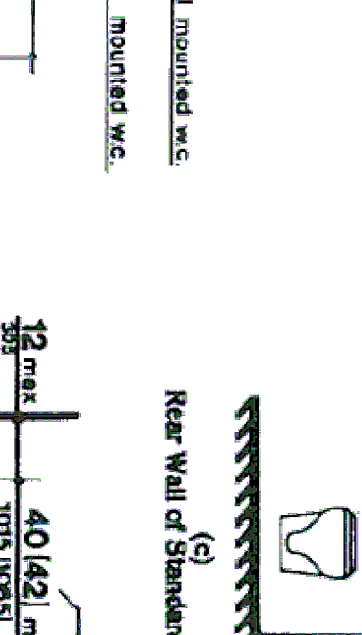


Fig. 41
Side Approach - Sliding Doors

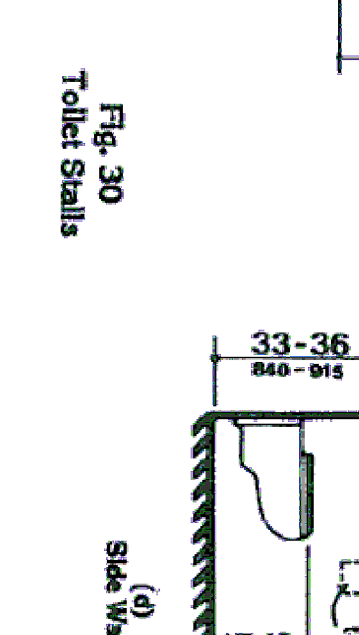


Fig. 42
Front Approach - Sliding Doors

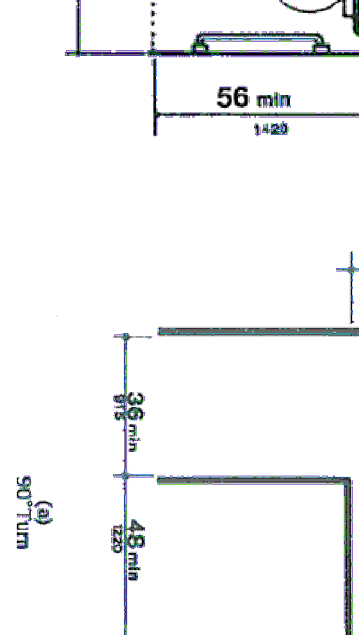


Fig. 43
Side Approach - Sliding Doors

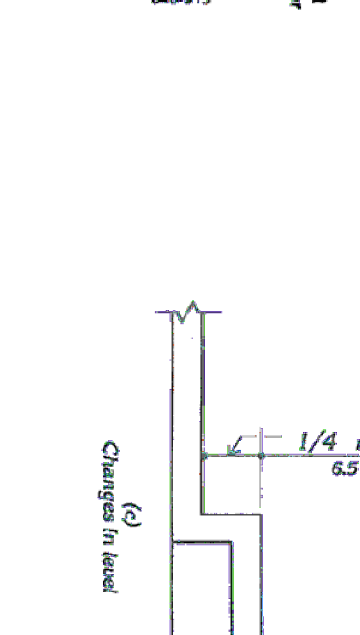


Fig. 44
Front Approach - Sliding Doors

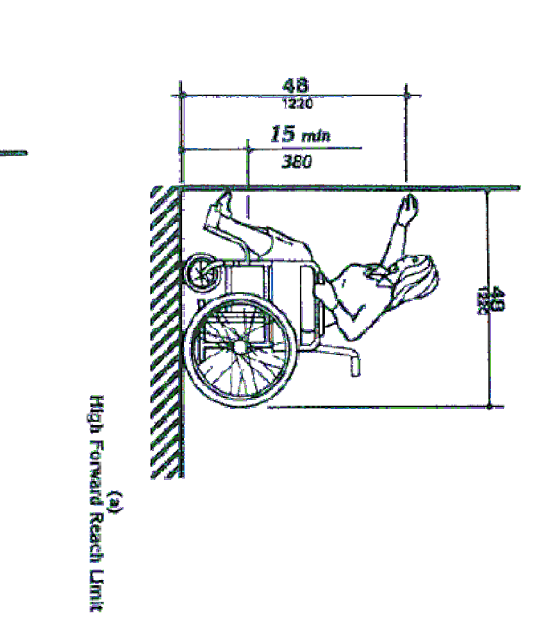


Fig. 45
Side Approach - Swingling Doors

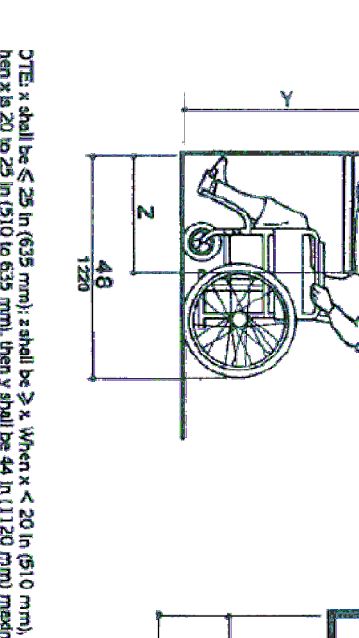


Fig. 46
Front Approach - Swingling Doors

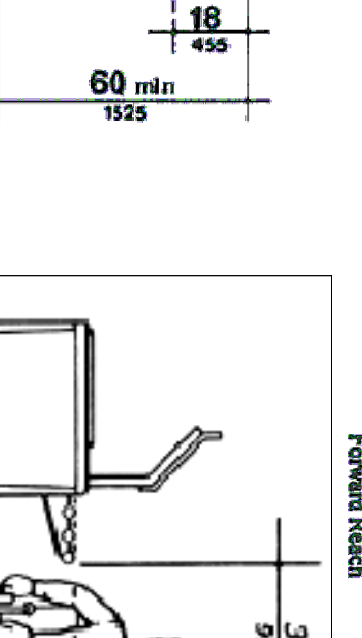


Fig. 47
Side Approach - Sliding Doors

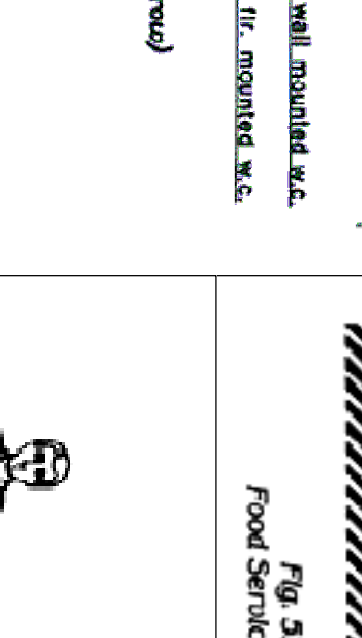


Fig. 48
Front Approach - Sliding Doors

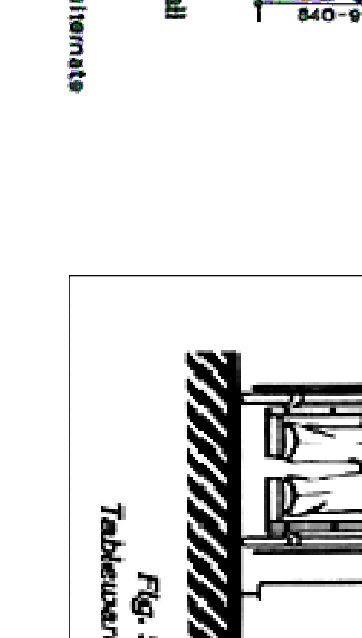


Fig. 49
Side Approach - Sliding Doors

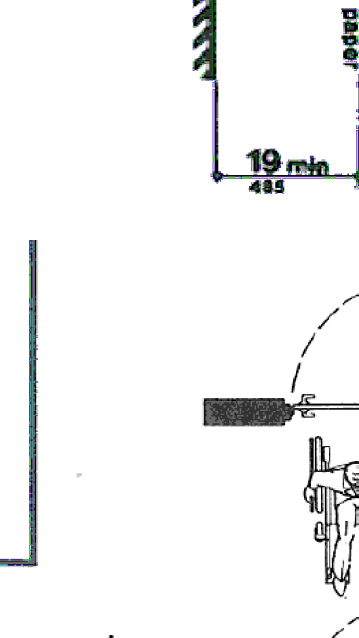


Fig. 50
Front Approach - Sliding Doors

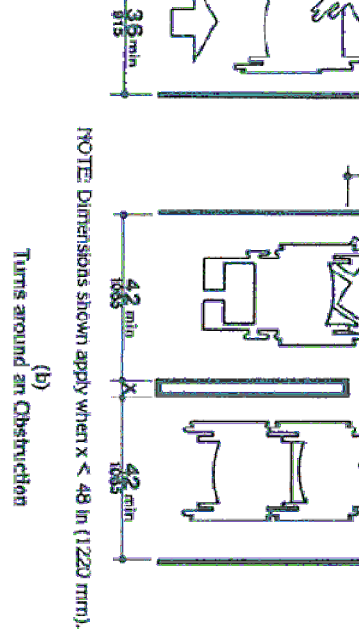


Fig. 51
Side Approach - Sliding Doors

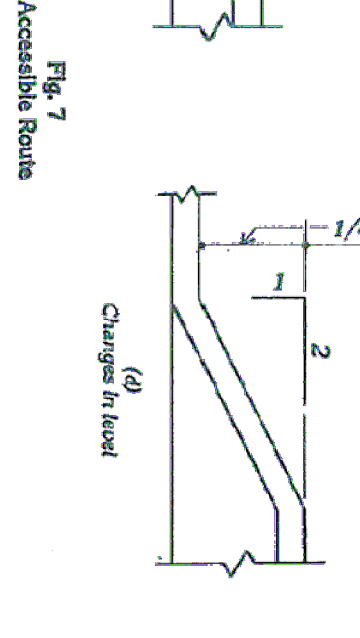


Fig. 52
Front Approach - Sliding Doors

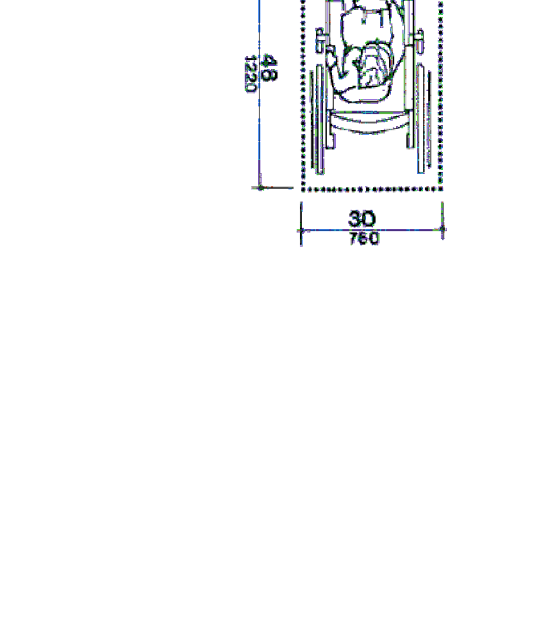


Fig. 53
Side Approach - Swingling Doors

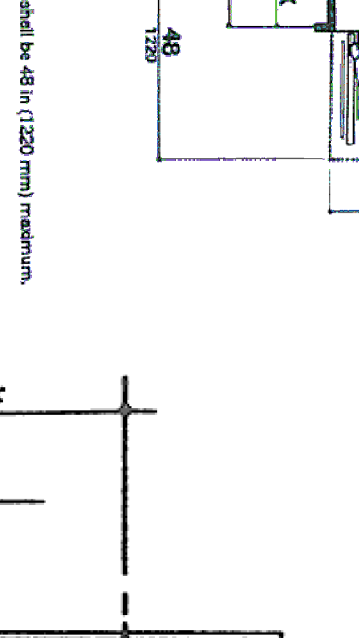


Fig. 54
Front Approach - Swingling Doors

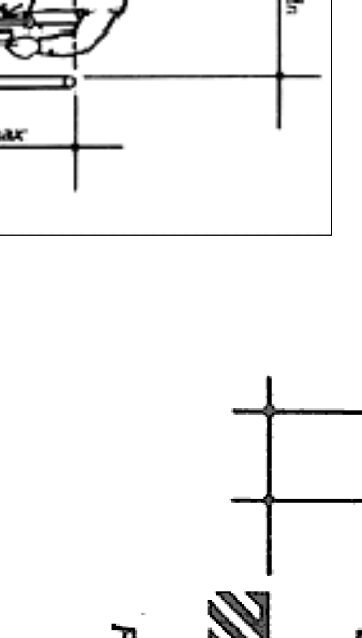


Fig. 55
Side Approach - Sliding Doors

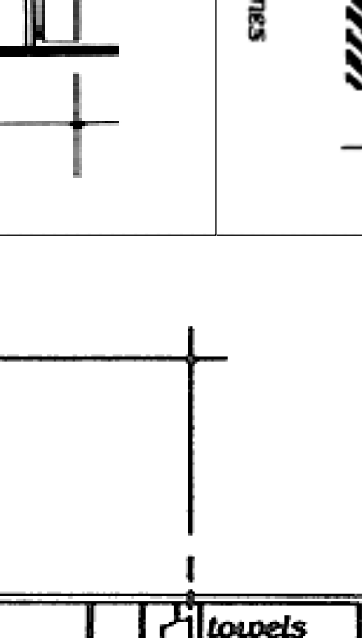


Fig. 56
Front Approach - Sliding Doors

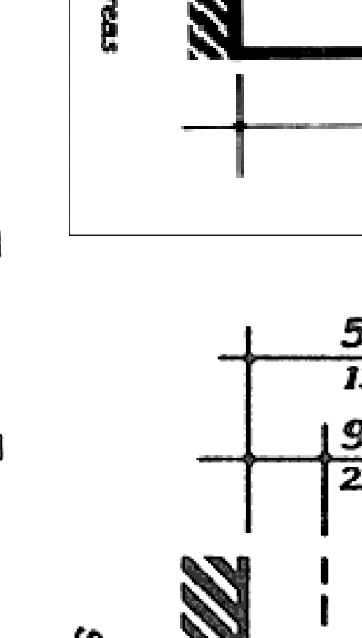


Fig. 57
Side Approach - Sliding Doors

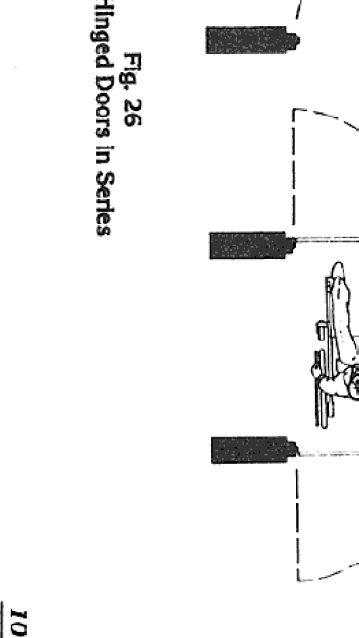


Fig. 58
Front Approach - Sliding Doors

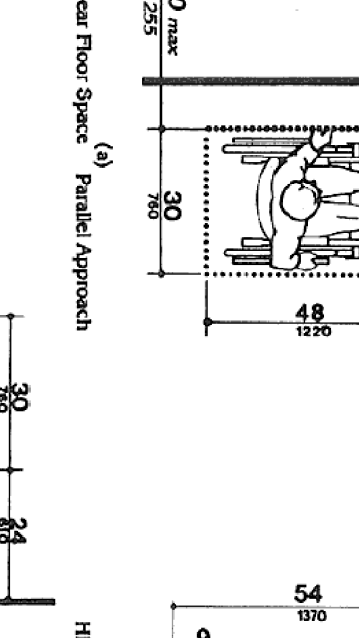


Fig. 59
Side Approach - Sliding Doors

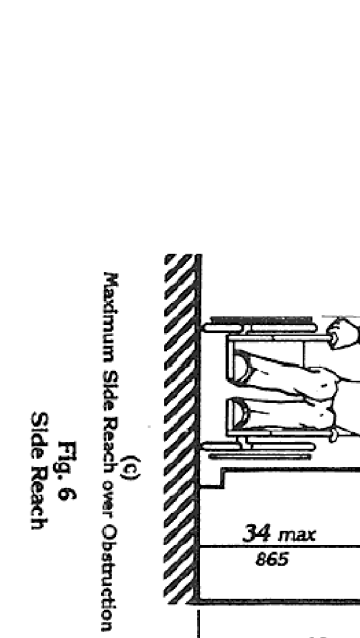


Fig. 60
Front Approach - Sliding Doors

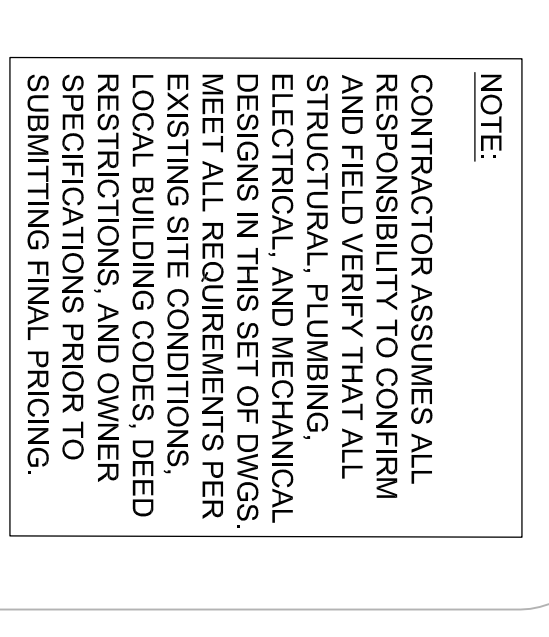


Fig. 61
Side Approach - Swingling Doors

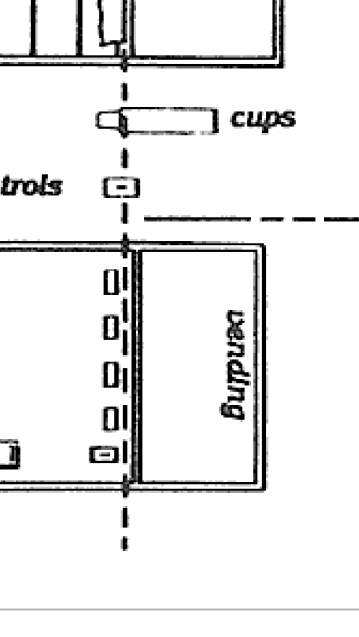


Fig. 62
Front Approach - Swingling Doors

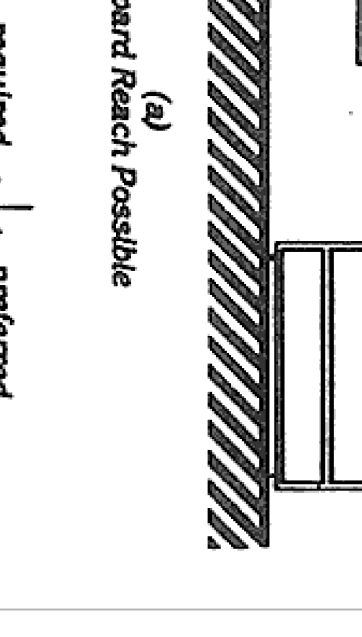


Fig. 63
Side Approach - Sliding Doors

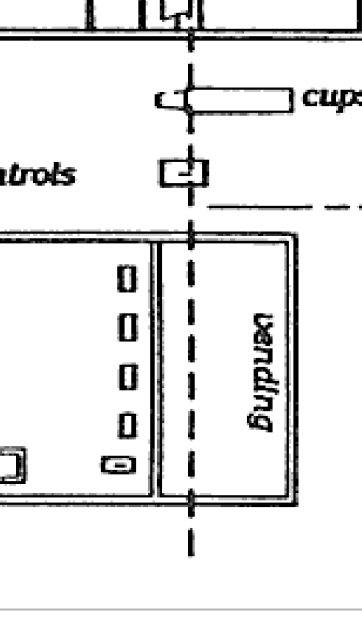


Fig. 64
Front Approach - Sliding Doors

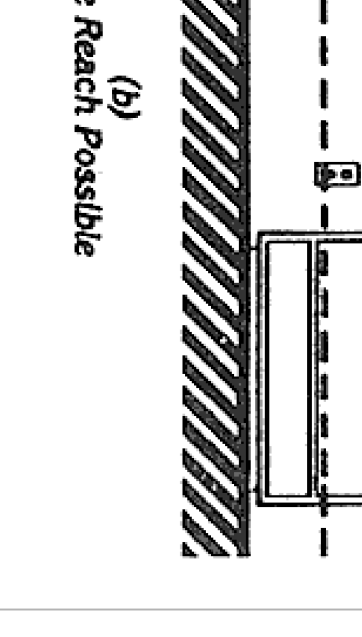


Fig. 65
Side Approach - Sliding Doors

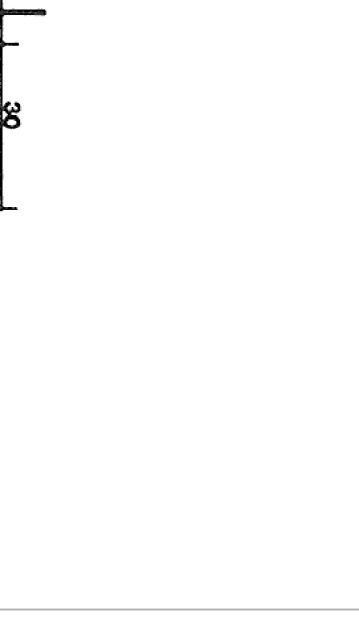


Fig. 66
Front Approach - Sliding Doors

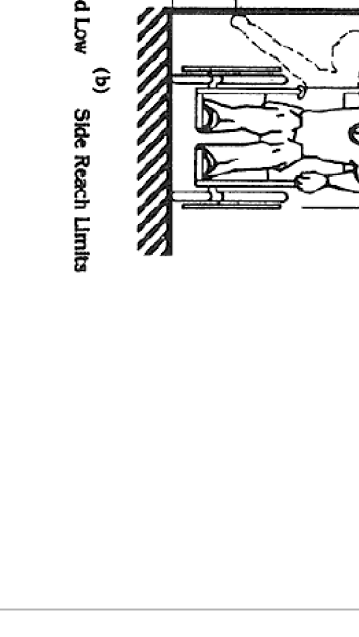


Fig. 67
Side Approach - Sliding Doors



Fig. 68
Front Approach - Sliding Doors

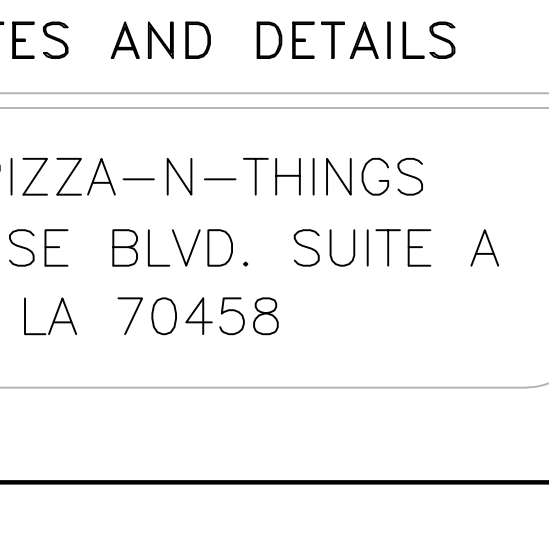


Fig. 69
Side Approach - Swingling Doors

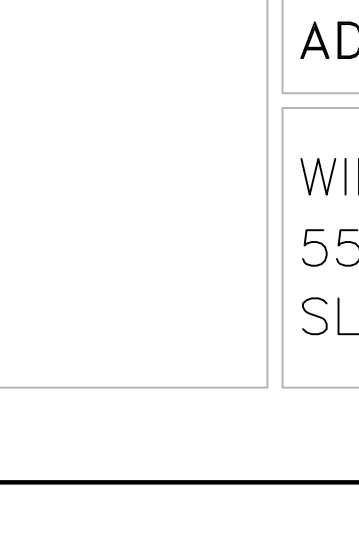


Fig. 70
Front Approach - Swingling Doors



Fig. 71
Side Approach - Sliding Doors



Fig. 72
Front Approach - Sliding Doors



Fig. 73
Side Approach - Sliding Doors

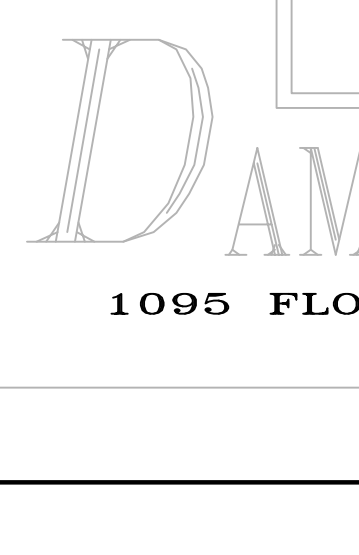


Fig. 74
Front Approach - Sliding Doors



Fig. 75
Side Approach - Sliding Doors

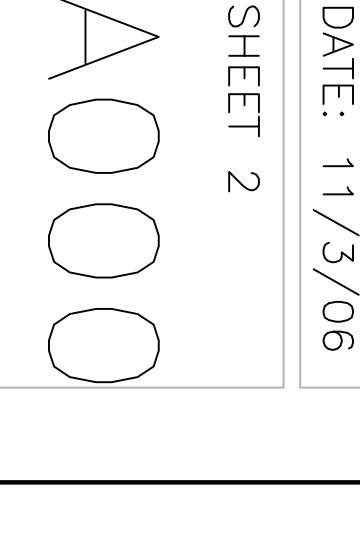


Fig. 76
Front Approach - Sliding Doors

Fig. 77
Side Approach - Swingling Doors

Fig. 78
Front Approach - Swingling Doors

Fig. 79
Side Approach - Sliding Doors

Fig. 80
Front Approach - Sliding Doors

Fig. 81
Side Approach - Sliding Doors

Fig. 82
Front Approach - Sliding Doors

Fig. 83
Side Approach - Sliding Doors

Fig. 84
Front Approach - Sliding Doors

Fig. 85
Side Approach - Swingling Doors

Fig. 86
Front Approach - Swingling Doors

Fig. 87
Side Approach - Sliding Doors

Fig. 88
Front Approach - Sliding Doors

Fig. 89
Side Approach - Sliding Doors

Fig. 90
Front Approach - Sliding Doors

Fig. 91
Side Approach - Sliding Doors

Fig. 92
Front Approach - Sliding Doors

Fig. 93
Side Approach - Swingling Doors

Fig. 94
Front Approach - Swingling Doors

Fig. 95
Side Approach - Sliding Doors

Fig. 96
Front Approach - Sliding Doors

Fig. 97
Side Approach - Sliding Doors

Fig. 98
Front Approach - Sliding Doors

Fig. 99
Side Approach - Sliding Doors

Fig. 100
Front Approach - Sliding Doors

Fig. 101
Side Approach - Swingling Doors

