

MILLENNIUM & ICE SERIES UNIT BENEFITS & OPTIONS

PROJECT _____

ITEM # _____

MILLENNIUM SERIES GLYCOL SYSTEMS :

- REFRIGERATION RECIRCULATION SYSTEM USED FOR CHILLING BEER LINES
- CAPABLE OF REMOVING UP TO 8° OF HEAT FROM BEER LINES
- SEALED GLYCOL CIRCULATION RESERVOIR THAT ASSURES NO GLYCOL DISSIPATION
- INTEGRATED SAFETY FEATURES THAT PROTECT MAJOR COMPONENTS FOR RELIABILITY & LONG SERVICE LIFE
- ADJUSTABLE DIGITAL THERMOSTAT FOR CONTROLLING DISPENSING TEMPERATURE
- ALL SYSTEMS USE PHARMACEUTICAL GRADE PROPYLENE GLYCOL FOR SAFETY
- FILL VALVES MAKE LOADING GLYCOL SIMPLE ~ NO FUNNELING OR SPILLAGE
- 6' CORD WITH PLUG ~ SEE CHART FOR NEMA PLUG TYPE
- 304 STAINLESS STEEL ENCLOSURE
- CONTACT OFFICE FOR PROPER SIZING & APPLICATIONS OF SYSTEMS

- OPTIONS - WINTER CONTROLS

- AVAILABLE FOR LOW AMBIENT EXTERIOR APPLICATIONS. A DOG HOUSE FURNISHED BY OTHERS IS REQUIRED TO PROTECT EXTERIOR UNITS FROM PRECIPITATION.

WATER COOLED CONDENSERS

- FOR USE WITH WATER RECIRCULATION SYSTEMS. UNITS COME WITH 3/8" INLET & OUTLET PORTS WITH COMPRESSION FITTINGS. SUPPLY & RETURN LINES SHOULD HAVE BALL VALVES FOR SERVICEABILITY. MINIMUM FLOW RATE OF 1 GALLON PER MINUTE REQUIRED.

- SPECIAL MODELS - MLN-75 HIGH AMBIENT

- FOR OUTDOOR APPLICATIONS INCLUDING HIGH / LOW AMBIENTS. WINTER CONTROLS ARE STANDARD. AMBIENT TEMPERATURE OPERATING RANGE IS 30° F TO 110° F.

MLN-75 BOOSTER

- IMPLEMENTED AS NEEDED FOR ADDITIONAL COOLING CAPACITY

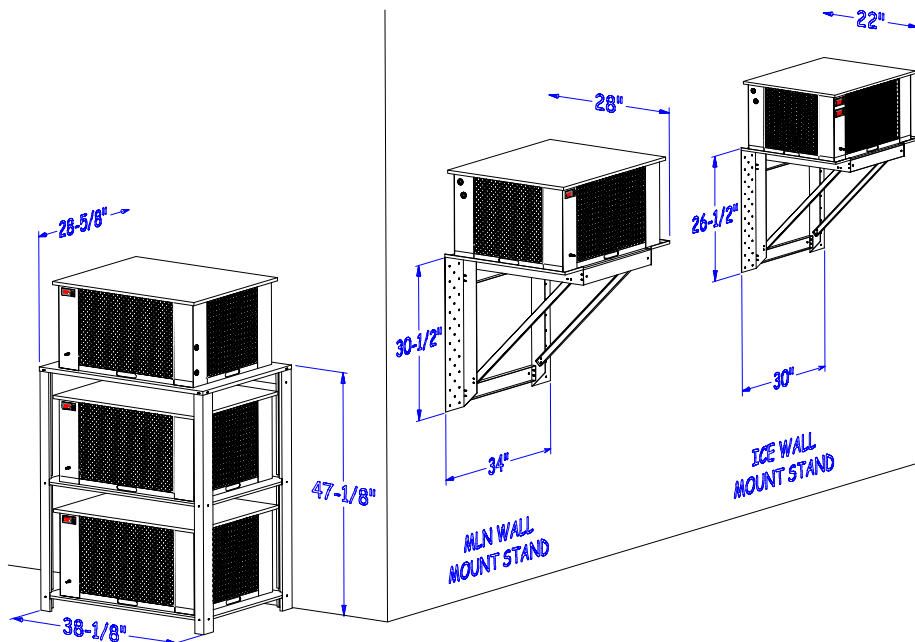
ICE SERIES REFRIGERATION SYSTEMS :

- CONDENSING UNITS USED FOR SAV DOME LIQUOR DISPENSING SYSTEMS, FROST RAILS & ICE CAVES
- MAY BE LOCATED ANYWHERE CONVENIENT TO PLACEMENT OF SAV DOME, FROST RAIL & ICE CAVES SYSTEMS

REQUIREMENTS & DISCLAIMERS :

- ALL UNITS WITH THE EXCEPTION OF THE MLN-75 HIGH AMBIENT MODEL REQUIRE OPERATING TEMPERATURES FROM 65° F TO 95° F TO FUNCTION PROPERLY.
- IF UNIT WILL BE OPERATING OUTSIDE IN BELOW 60° F AMBIENTS, WINTER CONTROLS ARE NEEDED
- PROPER VENTILATION IS REQUIRED FOR MAXIMUM EFFICIENCY
- ALLOW 12" AROUND ENTIRE UNIT FOR PROPER AIRFLOW & PERFORMANCE
- ADDITIONAL SPACE ABOVE & IN FRONT OF UNIT SHOULD BE ALLOCATED FOR SERVICEABILITY
- MILLENNIUM CHILLERS SHOULD SET WITHIN 20'-30' OF KEG COOLER

WALL & FLOOR MOUNT STANDS :



KEY POINTS :

- MUST BE SPECIFIED
- STANDS SHOULD SET WITHIN 20'-30' OF KEG COOLER
- ALL UNITS TO BE LOCATED OUTSIDE OF KEG COOLER
- UNITS ARE NOT TO BE LOCATED IN ATTICS, CLOSETS, HIGH HEAT, POORLY VENTILATED AREAS OR INSIDE KEG COOLERS

2371 GAUSE BLVD. WEST
SLIDELL, LA 70460
P.O. BOX 5566 - ZIP 70469



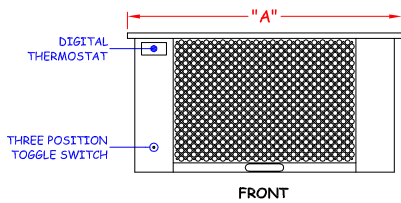
www.CHILLRITE32.com
800.256.2190 - TOLL FREE
985.641.0183 - FAX

MILLENNIUM & ICE SERIES UNIT SIZES & SPECIFICATIONS

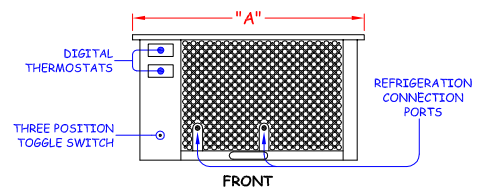
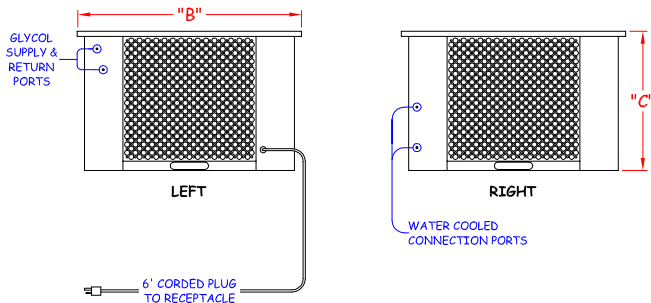
PROJECT _____

ITEM # _____

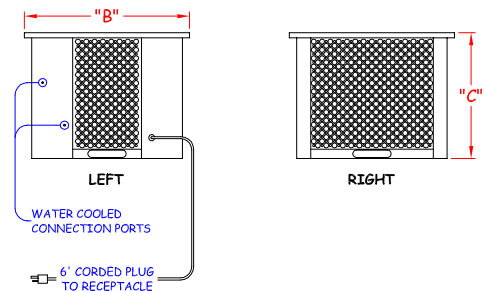
MODEL	MILLENNIUM SERIES					ICE SERIES		
	MLN-33	MLN-50	MLN-75	MLN-75 HIGH AMBIENT	MLN-75 BOOSTER	ICE-33	ICE-75	
COMPRESSOR SIZE	1/3 H.P.	1/2 H.P.	3/4 H.P.			1/3 H.P.	3/4 H.P.	
BTU RATING	3,400	4,400	6,100	6,500	6,100	2,400	4,700	
MAX HEAT REJECTION	5,100	6,600	9,150	9,750	9,150	3,600	7,050	
WATER USAGE <small>FOR WATER COOLED CONDENSERS ONLY</small>	MINIMUM FLOW RATE OF ONE GALLON PER MINUTE REQUIRED SEE UNIT BENEFITS & OPTIONS PAGE FOR ADDITIONAL INFORMATION							
REFRIGERANT TYPE	R-404A					R-404A		
REFRIGERANT CHARGE	19 oz	24 oz	30 oz	43 oz	30 oz	28 oz	42 oz	
GLYCOL CIRCULATING PUMP	100 GPH POSITIVE DISPLACEMENT				N/A	N/A		
GLYCOL RESERVOIR	2 GALLONS				N/A	N/A		
ELECTRICAL INFORMATION	VOLTAGE		120V		208/230V		120V	208/230V
	FREQUENCY		60 Hz				60 Hz	
	PHASE		1Ø				1Ø	
	FULL LOAD AMPS	12	15	8	9	7	8	
	BREAKER SIZE		20AMP				20AMP	
	NEMA PLUG TYPE		5-20P		6-20P		5-20P	6-20P
EXTERIOR DIMENSIONS	LENGTH - "A"		33"			22"	28"	
	WIDTH - "B"		27"			20"	20"	
	HEIGHT - "C"		17"		27"	18-3/4"	15-1/4"	
SHIPPING WEIGHT - LBS		140	150	160	175	100	70	80



MILLENNIUM SERIES



ICE SERIES



2371 GAUSE BLVD. WEST
SLIDELL, LA 70460
P.O. BOX 5566 - ZIP 70469



www.CHILLRITE32.com
800.256.2190 - TOLL FREE
985.641.0183 - FAX