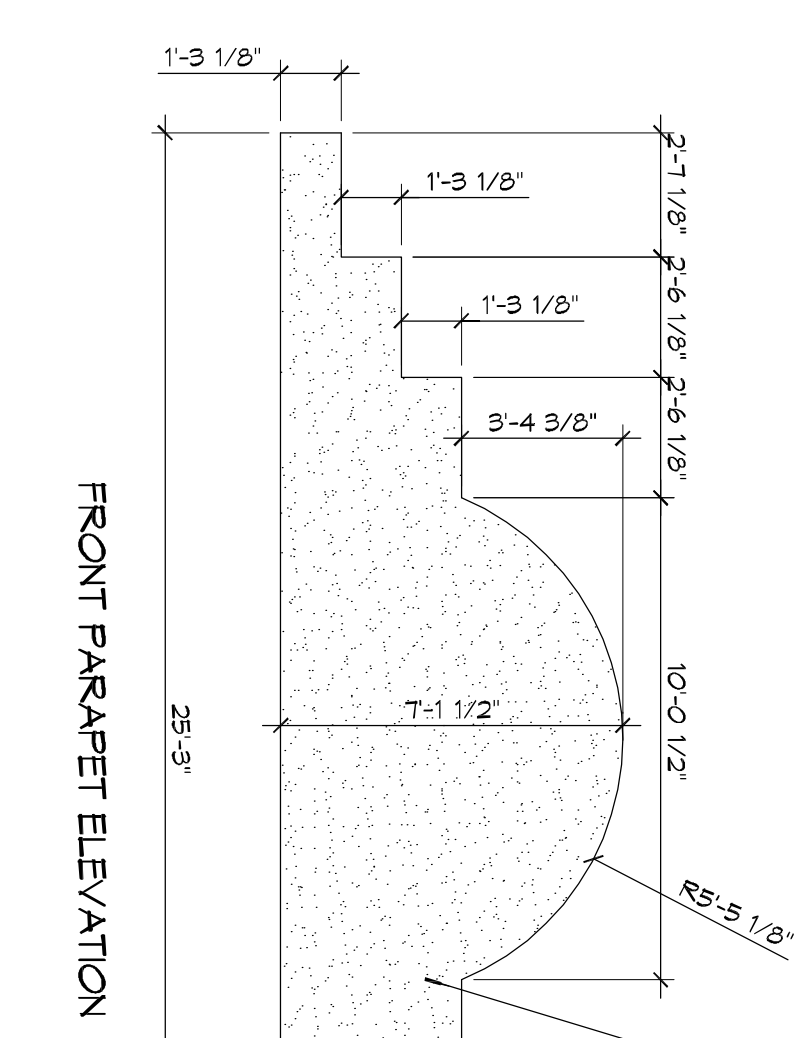
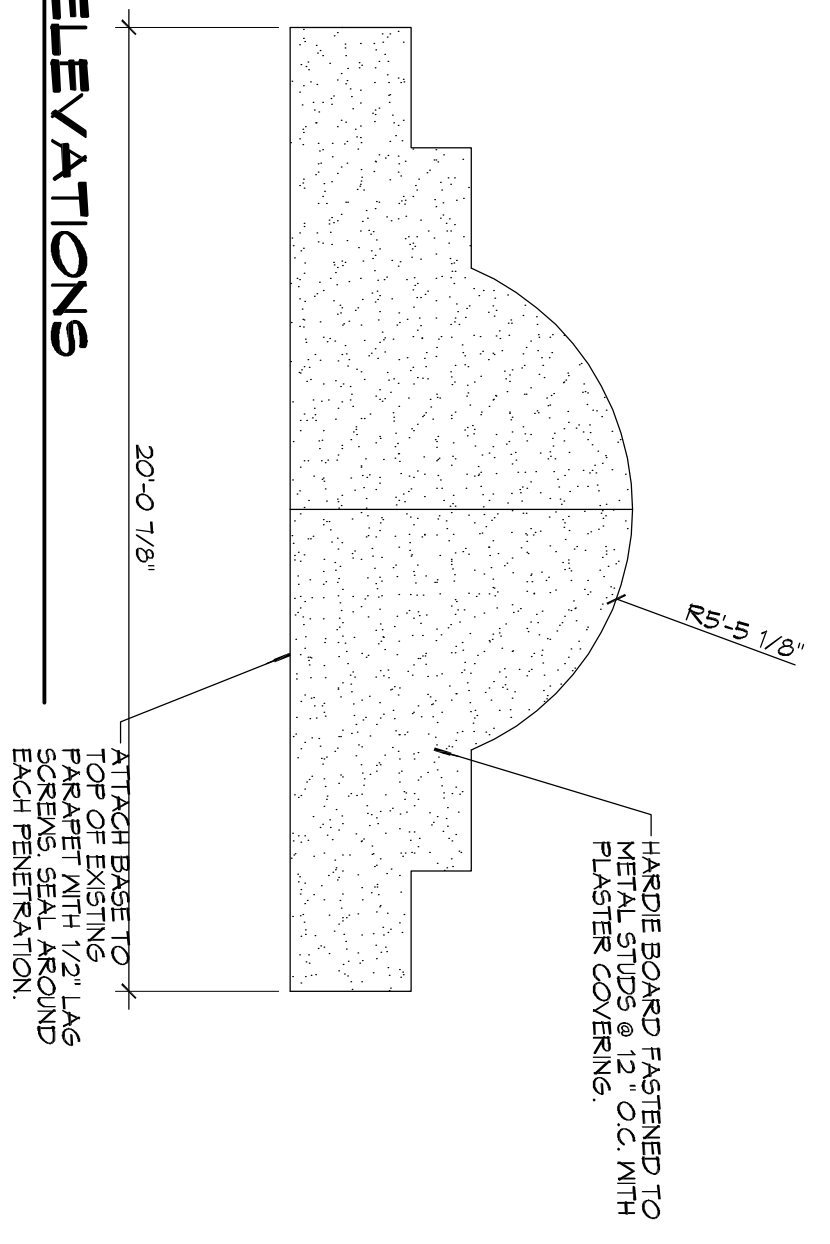
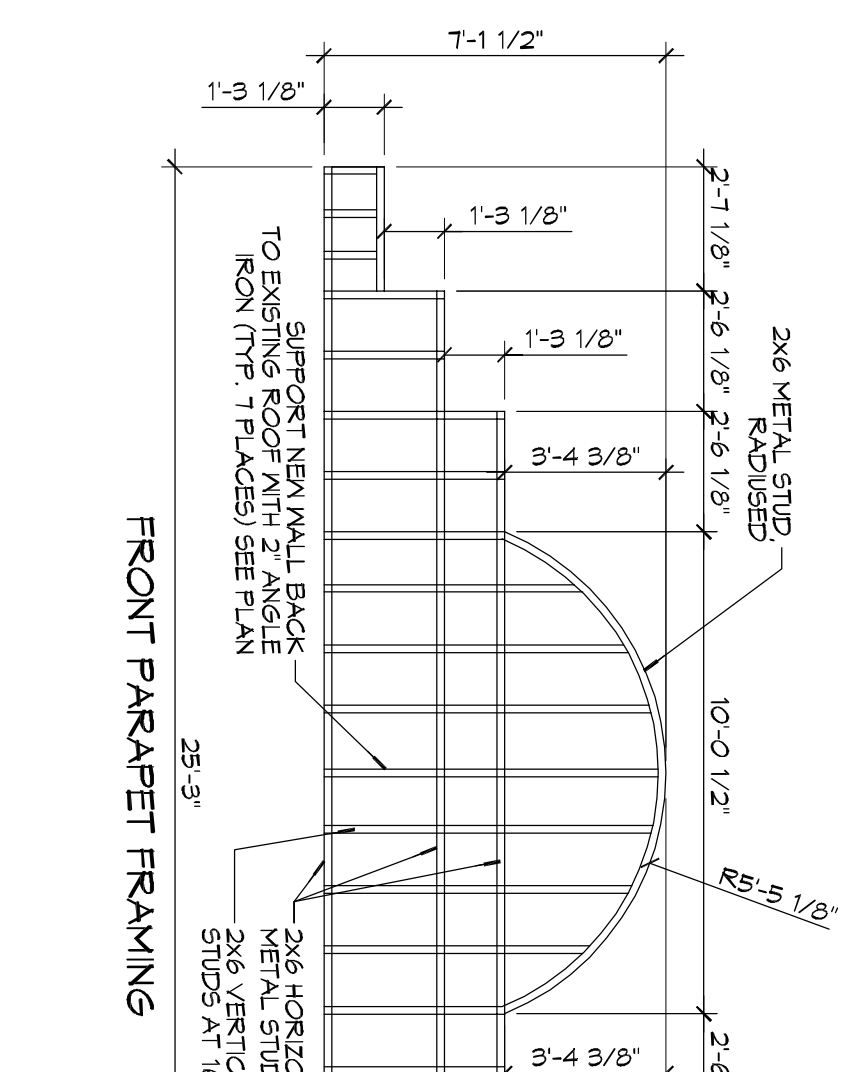
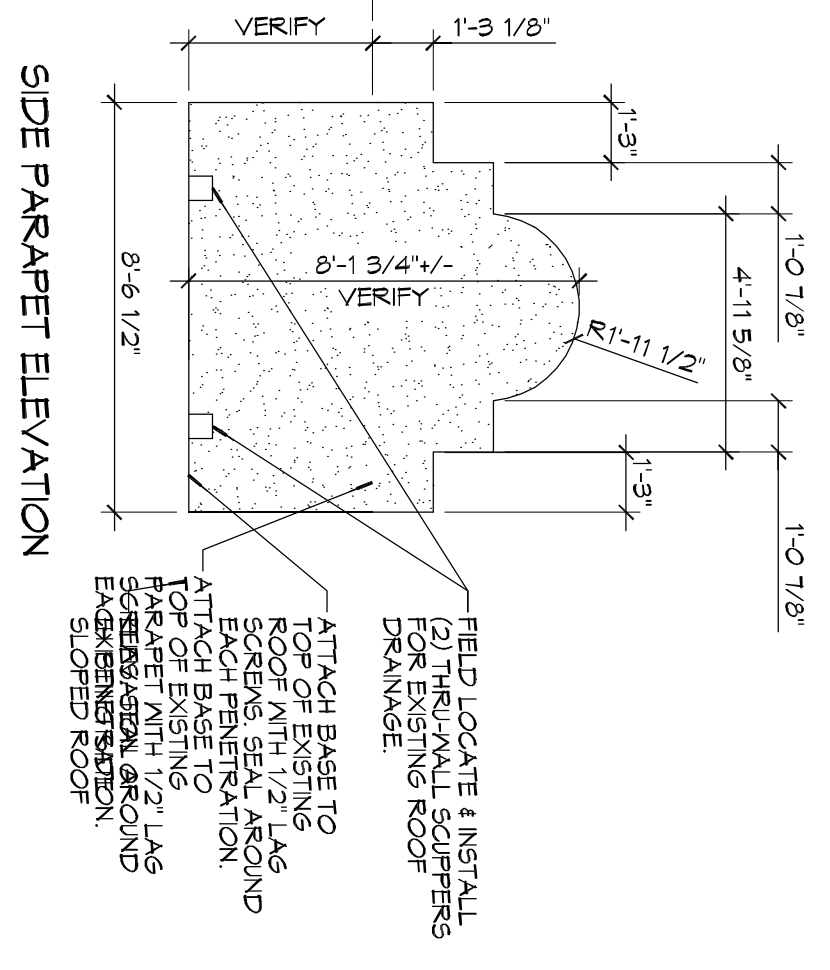


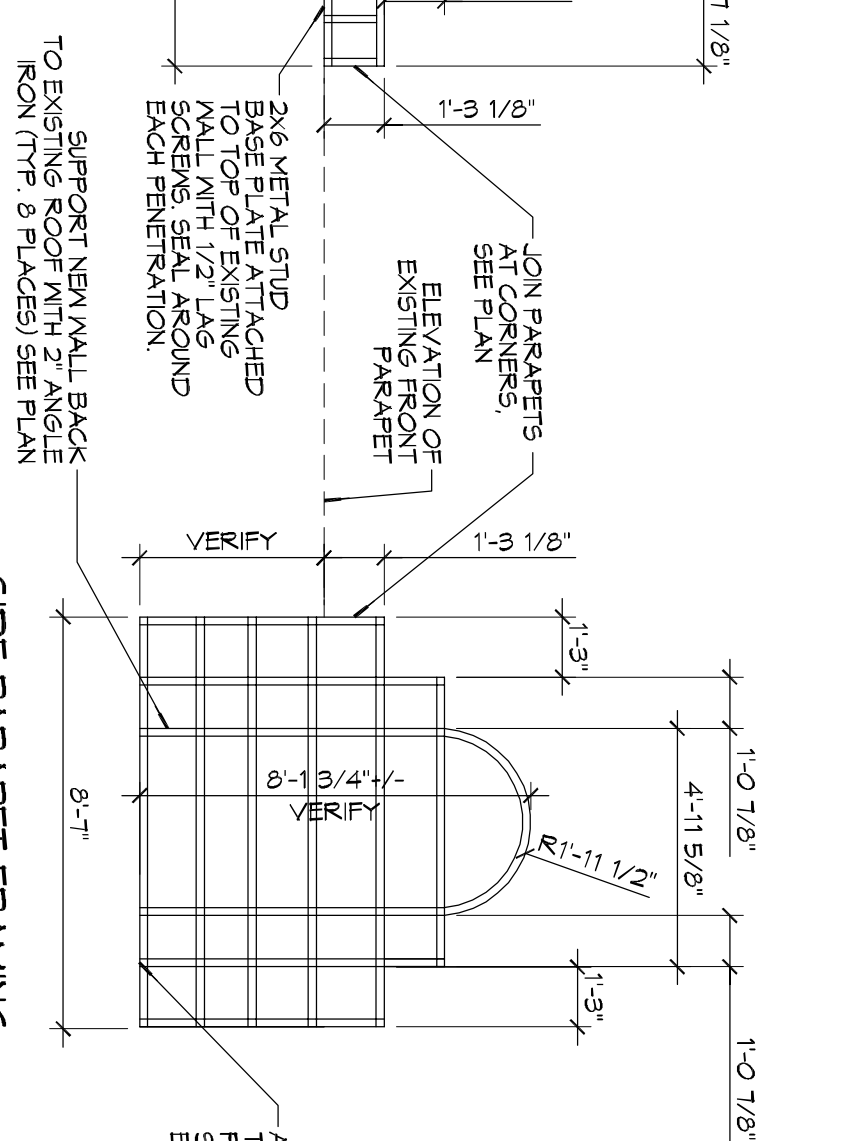
5 REAR PARAPET ELEVATIONS
SCALE: 1/4"=1'-0"



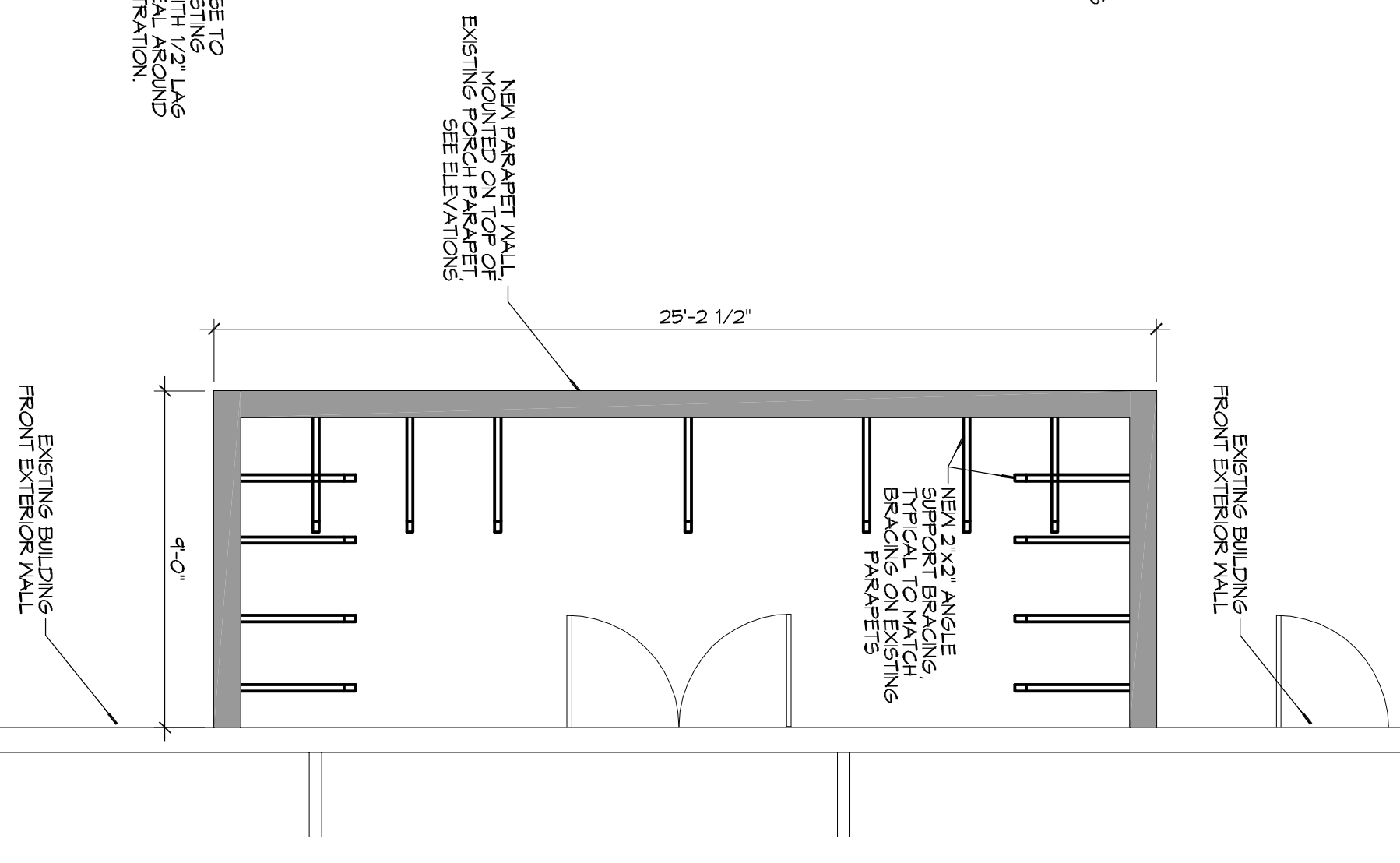
4 FRONT PORCH PARAPET ELEVATIONS
SCALE: 1/4"=1'-0"



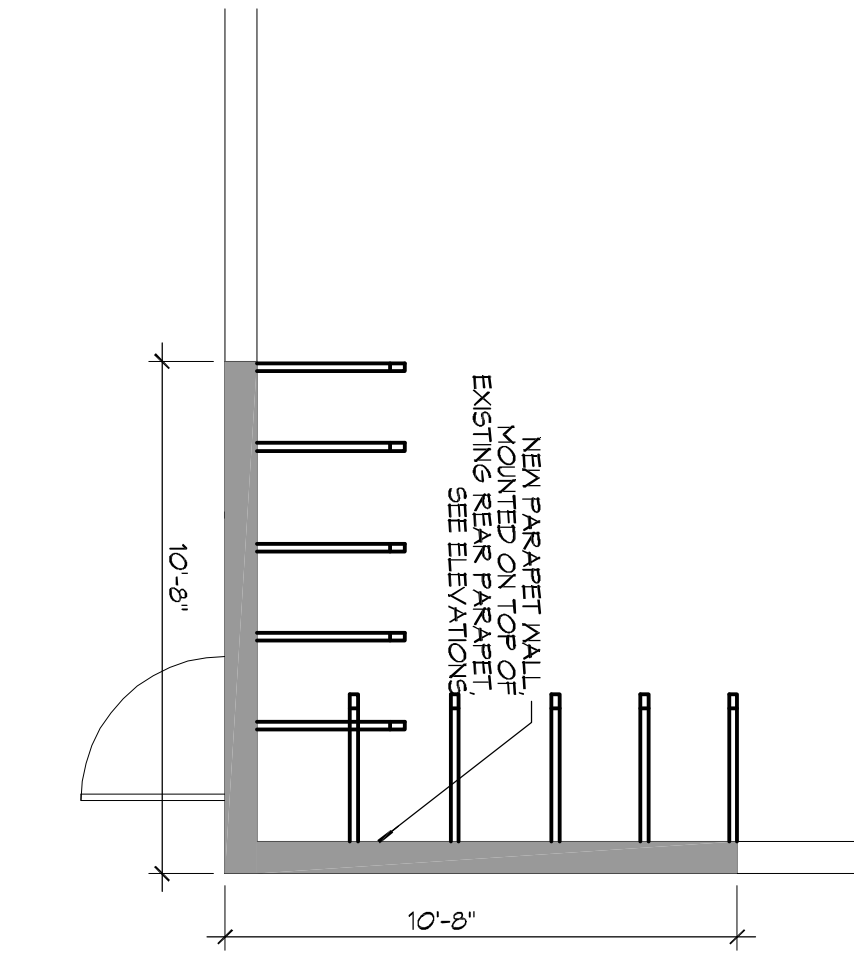
3 FRONT PORCH PARAPET FRAMING
SCALE: 1/4"=1'-0"



2 FRONT PORCH PARAPET PLAN
SCALE: 1/4"=1'-0"



1 REAR PARAPET PLAN
SCALE: 1/4"=1'-0"

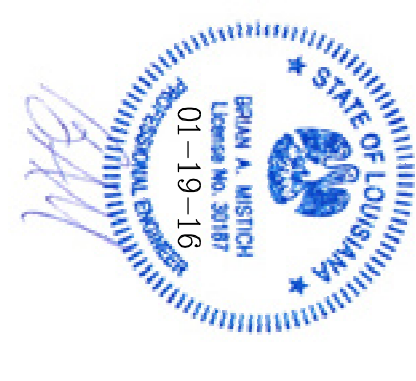


DAMMON ENGINEERING, INC.
LOUISIANA & MISSISSIPPI

Chief Engineer: Brian Mistich, PE
554 Old Spanish Trail
Stidell, LA 70458

www.dammonengineering.com
info@dammonengineering.com
PH: 985.649.5832 F: 985.641.5950

REVISIONS		DATE
#	DESCRIPTION	



FLORIAN M. LAMONTAGNE
ARCHITECT

601 VETERANS BLVD.
METAIRE AVE, LOUISIANA

JOB No: 2266 DATE: 01-08-16
DRAWN BY: CKD/JT CHECKED BY: BAN

SHEET TITLE: FRONT PORCH PARAPET DETAILS & REAR PARAPET DETAILS
DRAWING NUMBER:

A102

4 of 4