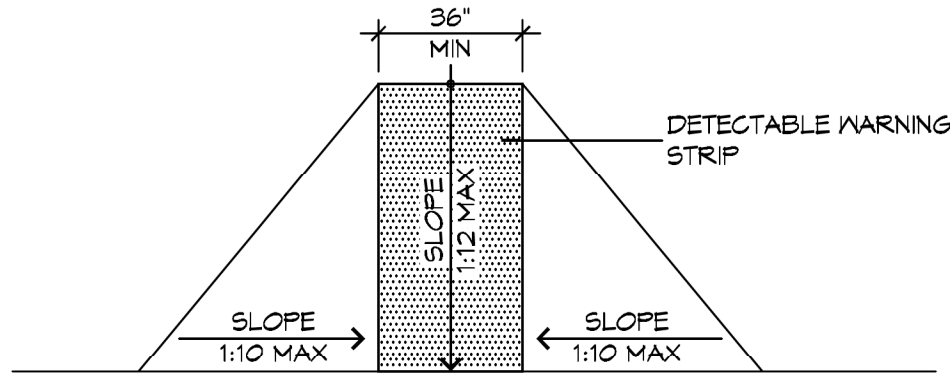
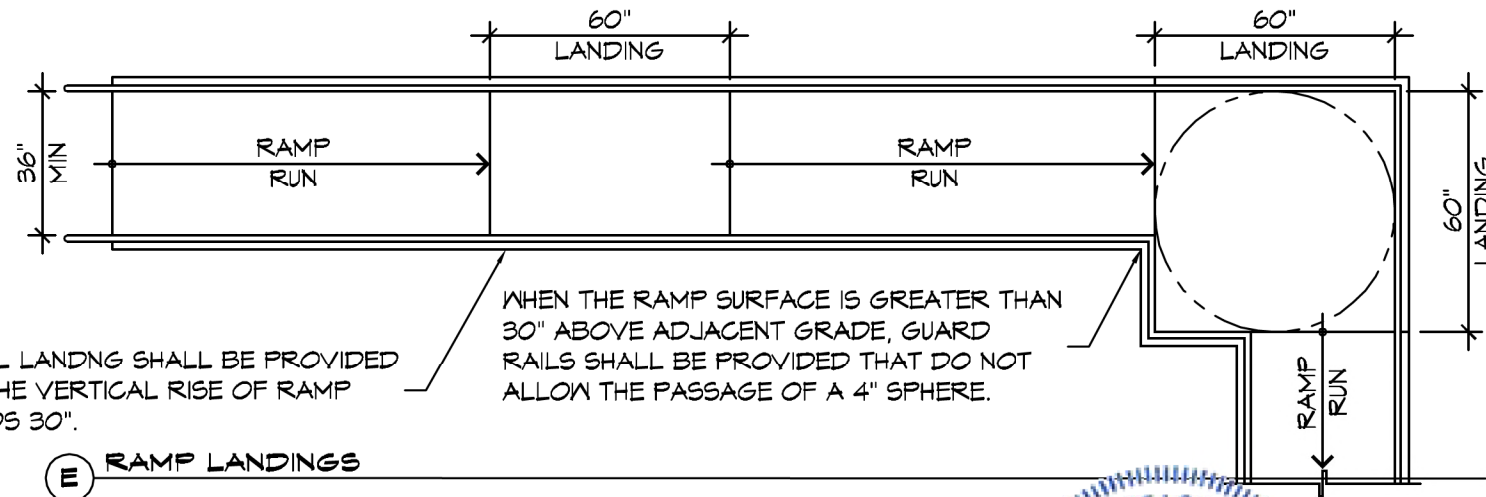


ACCESSIBLE RAMPS

1. RAMPS SHALL COMPLY WITH THE 2010 ADA STANDARDS FOR ACCESSIBLE DESIGN. A RAMP IS A WALKING SURFACE THAT HAS A RUNNING SLOPE STEEPER THAN 1:20.
2. RAMP RUNS SHALL HAVE A RUNNING SLOPE NOT STEEPER THAN 1:12.
3. CROSS SLOPE OF RAMP RUNS SHALL NOT BE STEEPER THAN 1:48.
4. THE CLEAR WIDTH OF A RAMP RUN AND, WHERE HANDRAILS ARE PROVIDED, THE CLEAR WIDTH BETWEEN HANDRAILS SHALL BE A MINIMUM OF 36 INCHES.
5. THE RISE FOR ANY RAMP RUN SHALL NOT EXCEED 30 INCHES WITHOUT HAVING A LANDING.
6. RAMPS SHALL HAVE LANDINGS AT THE TOP AND THE BOTTOM OF EACH RAMP RUN.
7. RAMP RUNS WITH A RISE GREATER THAN 6 INCHES SHALL HAVE HANDRAILS.

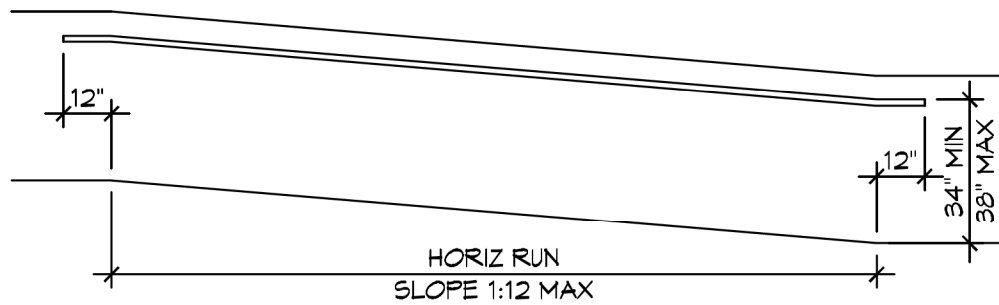


F FLARED RAMPS

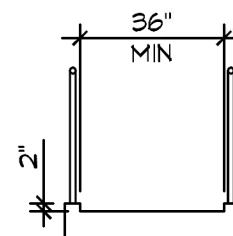
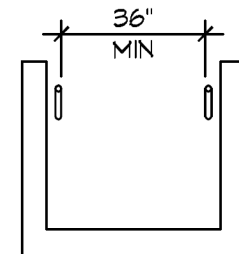


A LEVEL LANDING SHALL BE PROVIDED WHEN THE VERTICAL RISE OF RAMP EXCEEDS 30".

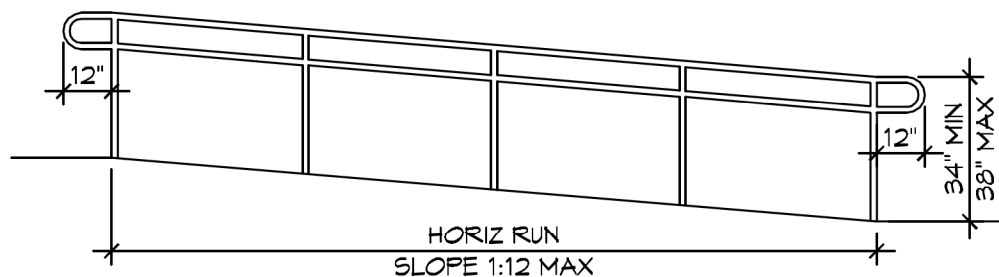
E RAMP LANDINGS



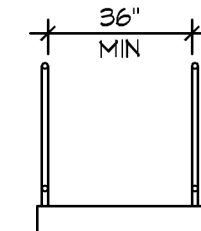
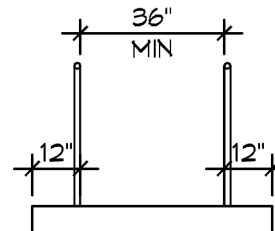
D WALL EDGE PROTECTION



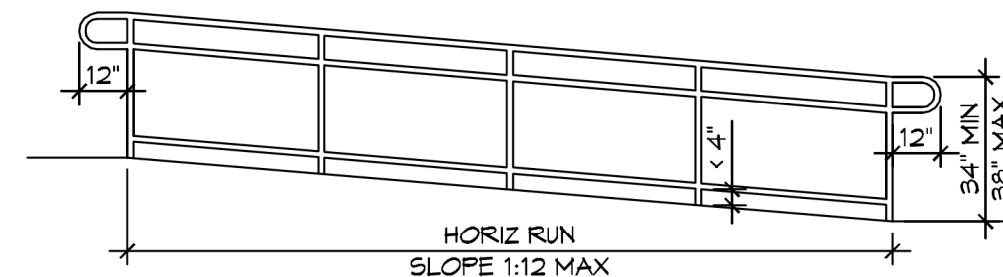
C CURB EDGE PROTECTION



B EXTENDED SURFACE EDGE PROTECTION



A BARRIER EDGE PROTECTION



EL PASO MEXICAN RESTAURANT
200 WEST GLORIA SWITCH ROAD
CARENCRO, LA 70520

JOB No: 2269 DATE: 5/8/2020
DRAWN BY: DD CHECKED BY: BAM

CS.1.6

1 ACCESSIBLE RAMPS

SCALE: 1/4" = 1'-0"

DAMMON ENGINEERING, INC.

554 Old Spanish Trail Suidell, LA 70458 (985) 649-5832

CHIEF ENGINEER: BRIAN A. MISTICH, P.E.
554 OLD SPANISH TRAIL
SUIDELL, LA 70458

dammonengineering.com
info@dammonengineering.com
PHONE: 985-649-5832