

1 SITE PLAN
SCALE: 1" = 20'-0"
PROPOSED

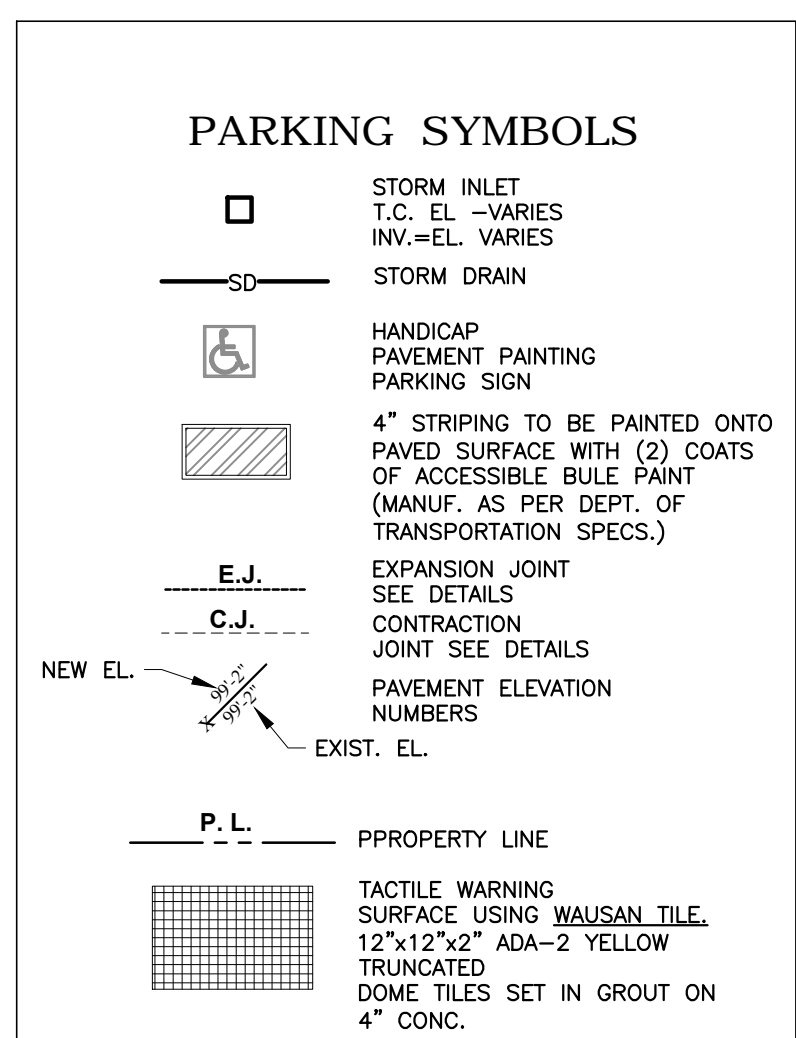
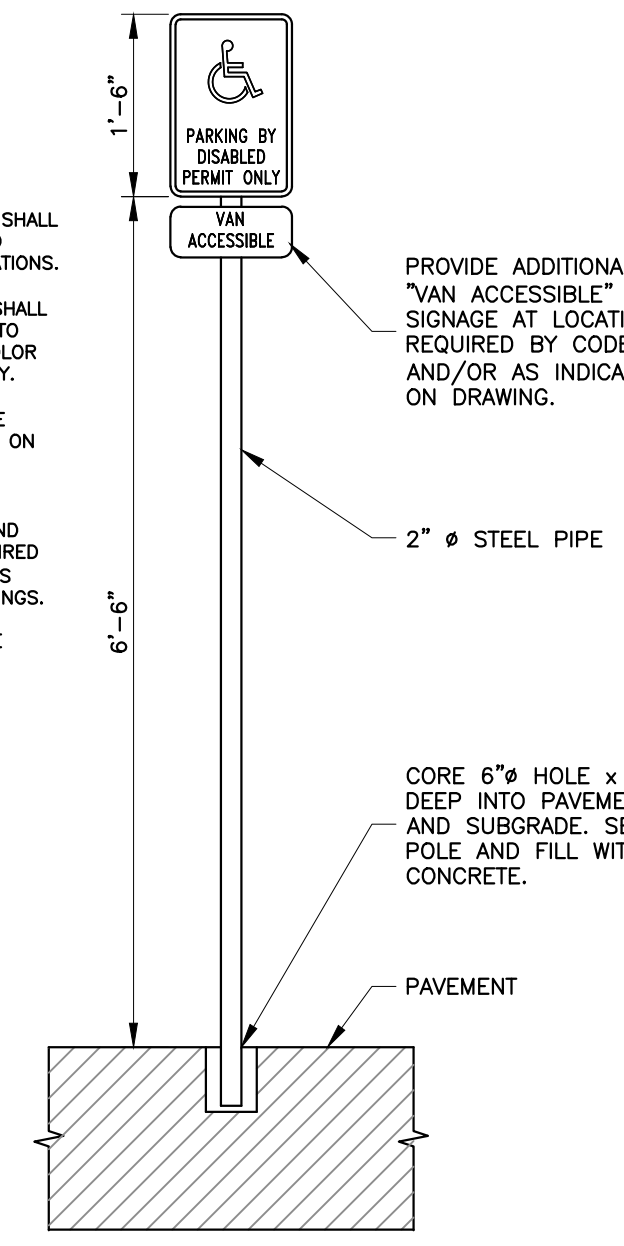
EQUIPMENT DESCRIPTION

- | | | |
|--|--|--|
| 1 FRYER, DEEP FAT, GAS | 16 STAINLESS STEEL HAND WASH LAVATORY | 30 BEER GUN REFILL |
| 2 FRYER, DEEP FAT, GAS | 17 EXHAUST HOOD (4'x20') | 31 STRUCTURAL SUPPORT FOR TV PLASMA ON CEILING |
| 3 OVEN, MEXICAN | 18 EXHAUST HOOD (4'x7') | 32 TV PLASMA ON CEILING |
| 4 GRIDDLE, GAS | 19 EXHAUST HOOD (4'x6'-6") | 33 COPY MACHINE |
| 5 HOT PLATE, GAS | 20 3-COMP. SINK (1'-8"x7'-0") PROVIDE GREASE & TRAP | 34 ICE MAKER WITH BIN |
| 6 REFRIGERATOR, SHORTY | 21 AUTOMATIC DISHWASHER MACHINE AUTO CHLOR SYSTEM (115 VOLTS 13 AMP-60 CYC.) | 35 COMPUTER |
| 7 REFRIGERATOR, SHORTY | 22 COKE MACHINE | 36 CHIPS MACHINE |
| 8 CHARBROILER, COUNTERTOP, GAS | 23 ICED TEA MACHINE | 37 VERTICAL SHELVES (1'-6"x4'-0") |
| 9 RANGE, STOCKPOT | 24 COMPUTER CASH REGISTER | 38 VERTICAL SHELVES (1'-6"x5'-0") |
| 10 REFRIGERATOR, SANDWICH/ SALAD PREPARATION | 25 FROSTY FACTORY DAIRIQUIS (26"x16 1/2"xH-32") | 39 STAINLESS STEEL TABLE WORK (2'-6"x7') |
| 11 HOT FOOD TABLE | 26 BEER REFRIGERATOR | 40 STAINLESS STEEL TABLE WORK (2'-6"x6') |
| 12 TRASH CAN | 27 ICE BIN (36"x18 1/2") | 41 SODA DRINK MACHINE |
| 13 WARMER, CHIP | 28 3-COMP. BAR SINK (34"x18 1/2") | 42 MEAT CUT MACHINE |
| 14 STAINLESS STEEL TABLE WORK (2'-6"x6') | 29 BEER BOX | |
| 15 ICE MAKER WITH BIN | | |

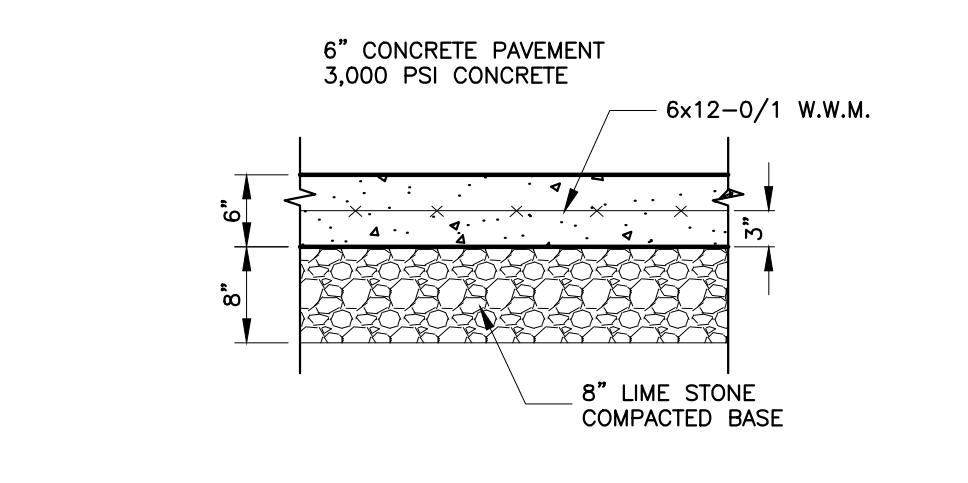
NOTES:

- ALL SIGNS SHOWN SHALL CONFORM TO MUTCD STANDARD SPECIFICATIONS.
- ALL SIGNS SHOWN SHALL BE REFLECTORIZED TO SHOW THE SAME COLOR BY NIGHT AS BY DAY.
- ALL SIGNS SHALL BE SECURELY MOUNTED ON GALVANIZED STEEL CHANNEL POSTS.
- INSTALL QUANTITY AND AT LOCATIONS REQUIRED BY CODE AND/OR AS INDICATED ON DRAWINGS. CONFORM TO ALL ACCESSIBLE SIGNAGE CODES.

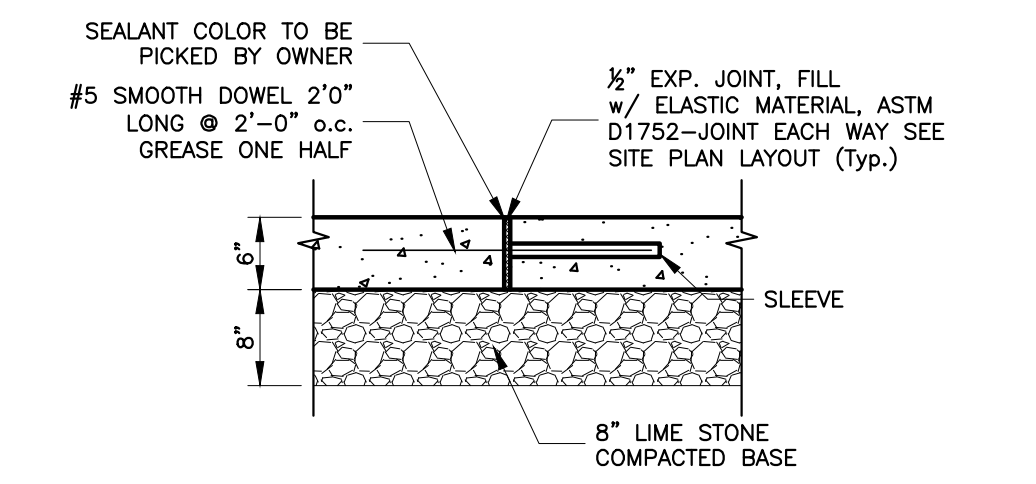
2 HANDICAP SIGN ELEVATION
SCALE: N.T.S.
PROPOSED



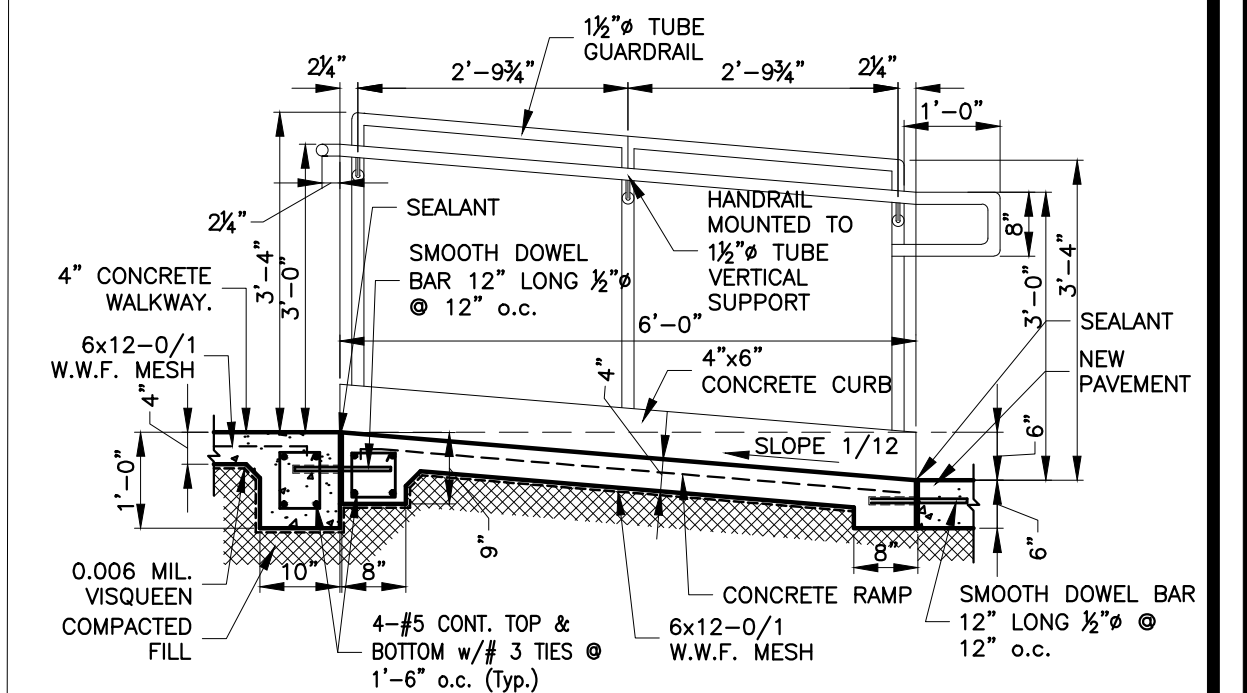
6 PAVEMENT REINF. DETAIL
SCALE: 3/4" = 1'-0"



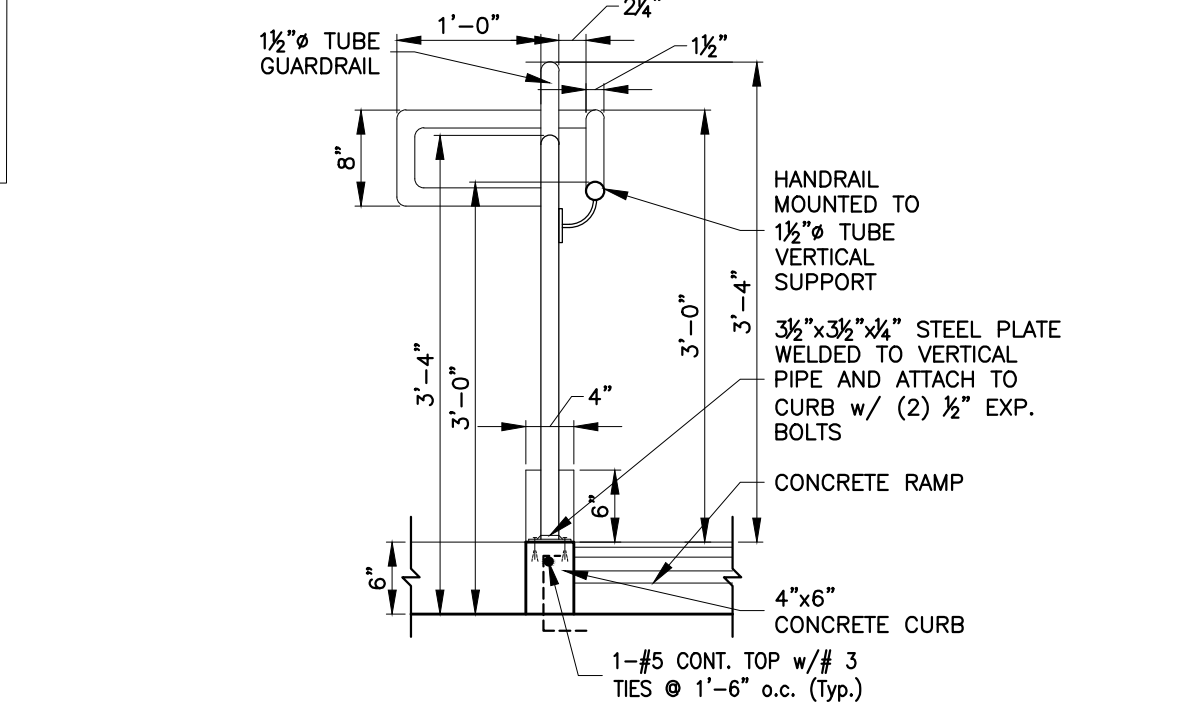
7 PAVEMENT EXPANSION JOINT
SCALE: 3" = 1'-0"



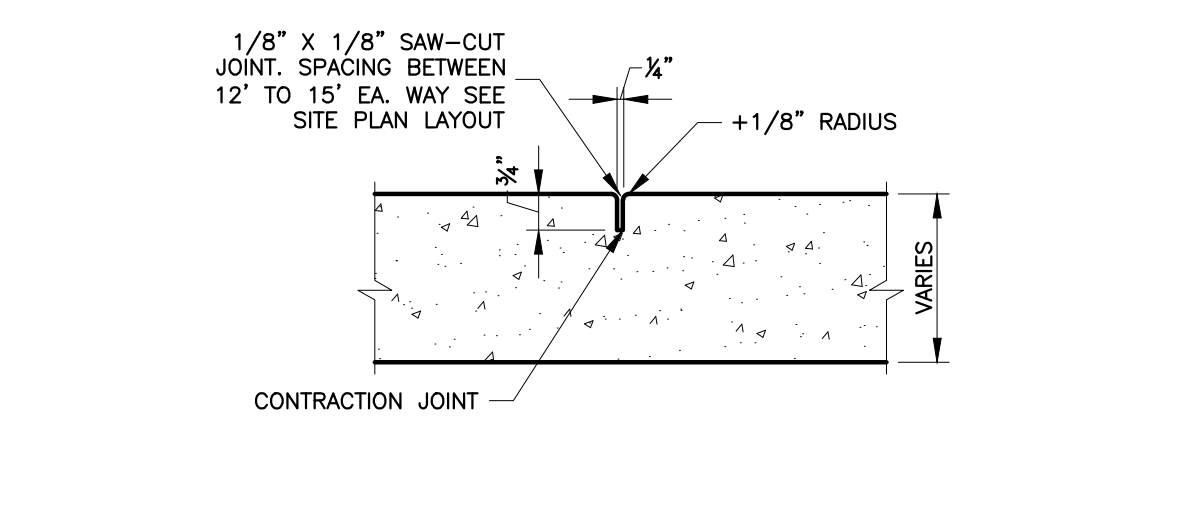
3 H.C. RAMP SECTION DETAIL
SCALE: 3" = 1'-0"



4 RAMP HANDRAIL SECTION
SCALE: 3" = 1'-0"



5 PAVEMENT CONTRACTION JOINT
SCALE: 3" = 1'-0"



NOTICE:
The data in this document incorporate proprietary rights of:
Copyright © 2011
INTCAD- INTEGRAL CAD DESIGN
Any party accepting these plans does so in confidence and agrees that it shall not be duplicated in whole or in part nor disclosed to others, without the written consent of:
Copyright © 2011
DESIGNER: José Angel Galdamez Valerio

THESE DRAWINGS HAVE BEEN PREPARED UNDER MY DIRECT SUPERVISION AND TO THE BEST OF MY KNOWLEDGE, COMPLY WITH THE LATEST CITY OF BUILDING CODE REQUIREMENTS. I (WILL/WILL NOT) INSPECT THE WORK.

M.B. SHUKLA, P.E. DATE
1824 STALL STREET
HARVEY, LA 70058 TEL: 504-247-5756

SEAL

INTCAD
INTEGRAL CAD BUILDING DESIGN
ENGINEER: M.B. SHUKLA, P.E.
DESIGNER: JOSE ANGEL GALDAMEZ V.

Revision:

No.	Date	Revision:

EL PASO MEXICAN GRILL
200 WEST GLORIA SWITCH ROAD
CITY OF CARENCRO LAFAYETTE, LA 70520

SITE PLAN, EQUIPMENT DESCRIPTION & DETAILS

Restaurant Owner:
MR. RUBEN CHAVEZ
Cell: (850) 5545233

Designed:
J.A.GALDAMEZ

Drawn:
J.A.GALDAMEZ

Checked:
M.B. SHUKLA

Approved:
M.B. SHUKLA

Scale: SHOWN

Date: 05/22/15

Project No:
001001

Sheet No: