



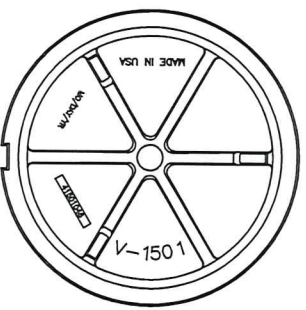
SEWER SUBMITTAL

**PROJECT: EL PASO
LAFAYETTE, LA**

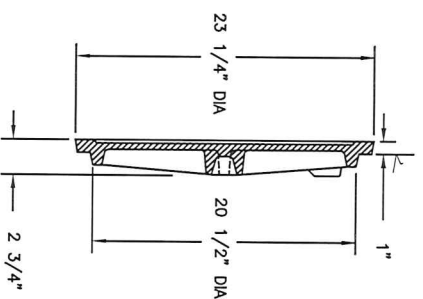
**CONTRACTOR: CONSTRUCTION SITE
SPECIALTIES, LLC**

SEWER MATERIALS

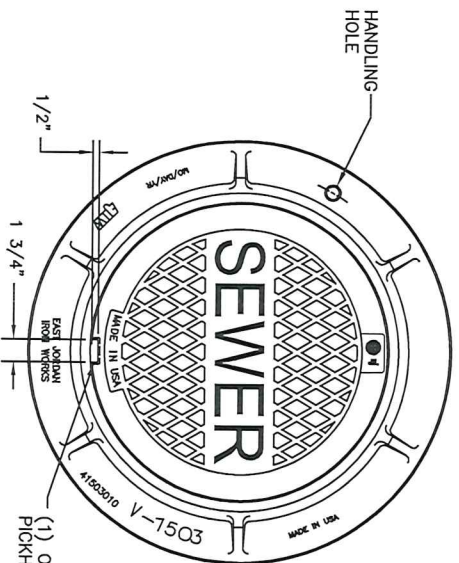
V1501 V1503 Assembly



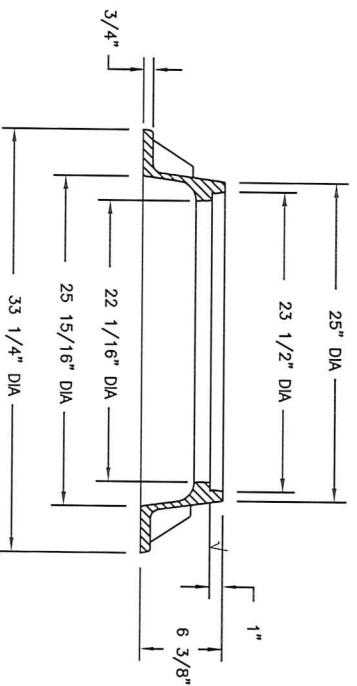
COVER BACK



COVER SECTION



PLAN VIEW



SECTION

Product Number
41503004

Design Features
-Materials
Cover
Gray Iron (CL35B)
Frame
Gray Iron (CL35B)

-Design Load
Heavy Duty
-Open Area
n/a
-Coating
Undipped
-√ Designates Machined Surface

Certification
-ASTM A48

-Country of Origin: USA

Major Components
41501046
41503010

Drawing Revision
07/11/2003 Designer: SMH
03/15/2013 Revised By: DVD

Disclaimer
Weights (lbs/kg) dimensions (inches/mm) and drawings provided for your guidance. We reserve the right to modify specifications without prior notice.

CONFIDENTIAL: This drawing is the property of EJ GROUP, Inc., and embodies confidential information, registered marks, patents, trade secret information, and/or know how that is the property of EJ GROUP, Inc. Copyright © 2011 EJ GROUP, Inc. All rights reserved.

Contact
800 626 4653
ejco.com

SANI-21™

PVC SEWER PIPE SPECIFICATION DATA

D3034 & F679 SEWER SPECIFICATION DATA

Diamond gravity sewer pipe 4 inches through 60 inches shall be made of compounds conforming to material requirements of ASTM D3034 and ASTM F679 in accordance with ASTM D1784. Diamond PVC Sewer Pipe meets all the dimensional, chemical, and physical requirements as outlined in ASTM D3034 and ASTM F679. A listing to CSA B182.2 is available for most of these sizes. A complete listing by manufacturing plant is available upon request.

The pipe sizes 4 inches through 60 inches are made with an integral bell "water-tight" joint that meets the requirements of ASTM D3212 and that utilizes a Rieber gasket system for sealing that meets the requirements of ASTM F477.

Each male end shall be beveled to facilitate joining and referencing marked for proper insertion depth. Diamond furnished lubricant is to be used in the joining process.

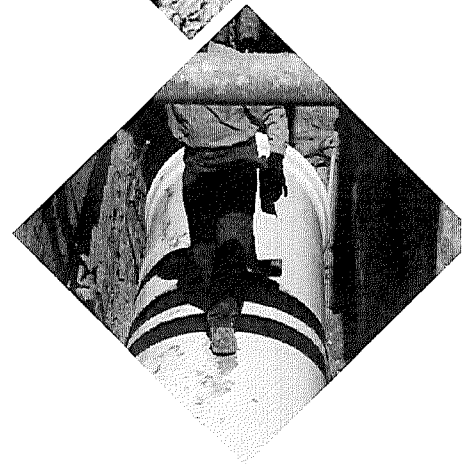
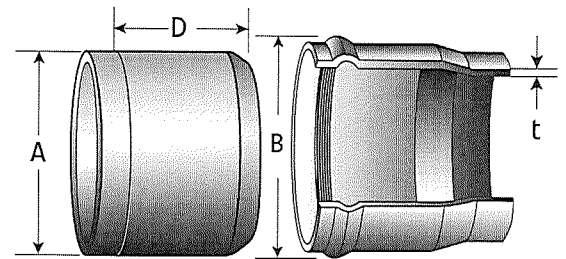
SANI-21™

PHYSICAL PROPERTIES OF ASTM D3034 & F679

Property	ASTM TEST	Minimum 12454/12364
PIPE MATERIALS: PIPE SHALL BE MADE OF PVC PLASTIC HAVING A MINIMUM CELL CLASSIFICATION OF 12454 OR 12364 AS DEFINED IN SPECIFICATION D1784.		
Specific Gravity	D792	1.40/1.40
Tensile Strength, psi	D638	7,000/6,000
Tensile Modulus, psi	D638	400,000/500,000
IZOD Impact Strength,	D256	.65ft., lb./in.

SHORT FORM Specification for Diamond PVC Solid-Wall Sewer Pipe SDR 26 or SDR 35 or PS 46 or PS 115
All PVC Solid-Wall Sewer Pipe shall be made of compounds conforming to ASTM D1784 manufactured in accordance with the material requirements of ASTM D3034 or ASTM F679. All PVC Sewer Pipe must meet dimensional, chemical, and physical requirements as outlined in ASTM D3034 or ASTM F679. Joints shall meet the requirements of ASTM D3212 and shall be formed using Rieber Technology. PVC Sewer Pipe shall be installed according to the requirements of ASTM D2321, Uni-Bell's Uni-Pub 6 and the manufacturer's recommendations.

RIEBER JOINT ILLUSTRATION



SANI-21™

PVC SEWER PIPE LOADING DATA

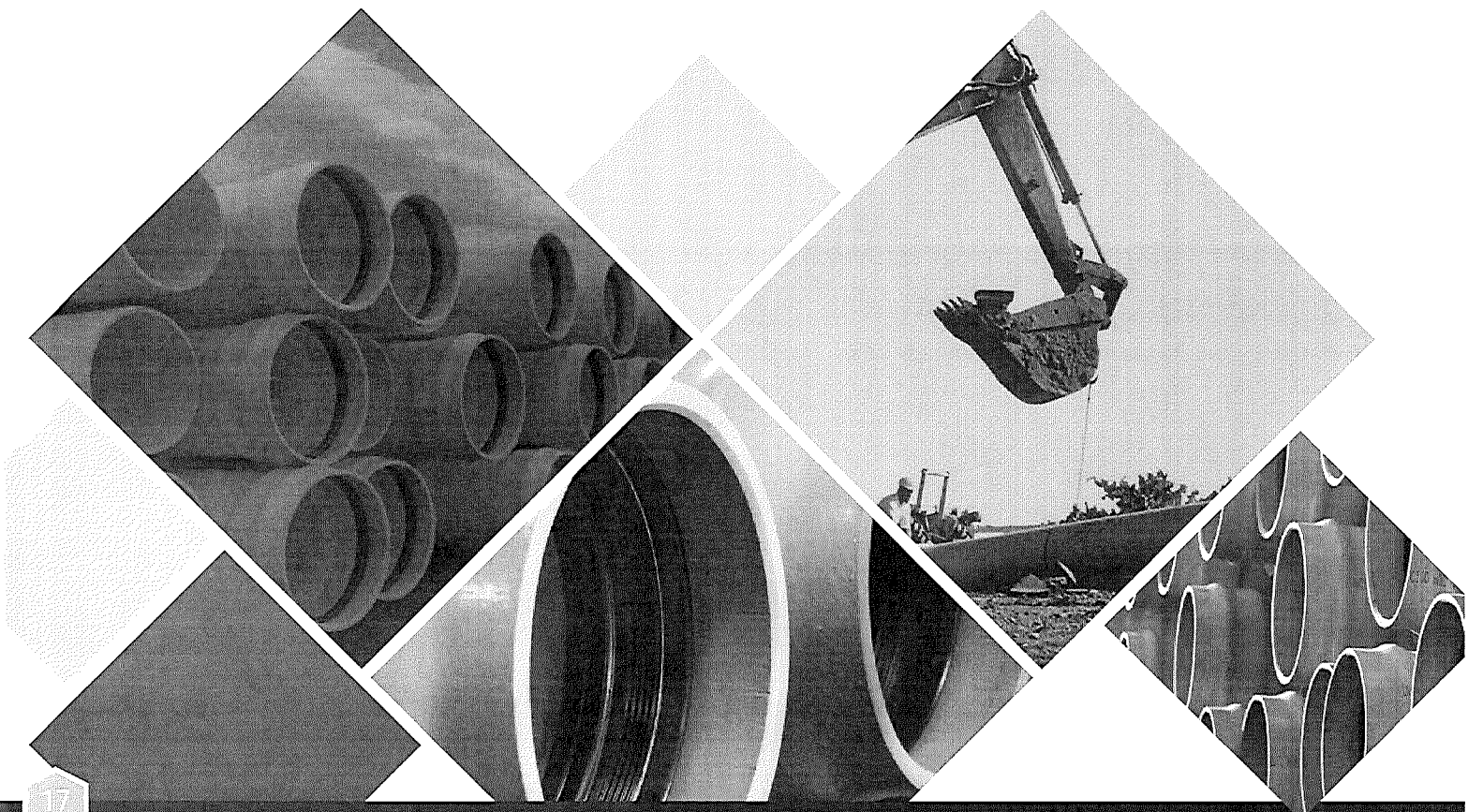
SANI-21™

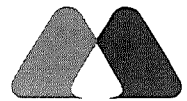
LOADING ASTM D3034 & F679 LOADING CHART (SDR26 / PS115)

Nominal Pipe Size in. (mm)	Outside Diameter Inches	Min. Wall Inches	Bundle Quantity	*Feet Per Truckload	
				14'	22'
SDR26/PS115					
4" (100)	4.215	.162	69	23,184	24,288
* 6" (150)	6.275	.241	24/32	10,080	11,264
* 8" (200)	8.400	.323	18/24	5544/6048	5808/6336
10" (250)	10.500	.404	12/15	3402	3564
12" (300)	12.500	.481	16	2688	2816
15" (375)	15.300	.588	6	1512	1584
18" (450)	18.701	.671	2/3/4/6	1050	
21" (525)	22.047	.791	4	672	
24" (600)	24.803	.889	4	672	
27" (675)	27.953	1.002	3	378	
30" (750)	32.000	1.148	3	378/252	
36" (900)	38.300	1.373	2	168	
42" (1050)	44.500	1.596	2	168	
48" (1200)	50.800	1.954	1	84	
54" (1350)	57.560	2.064	1	42	
60" (1500)	61.610	2.210	1	42	

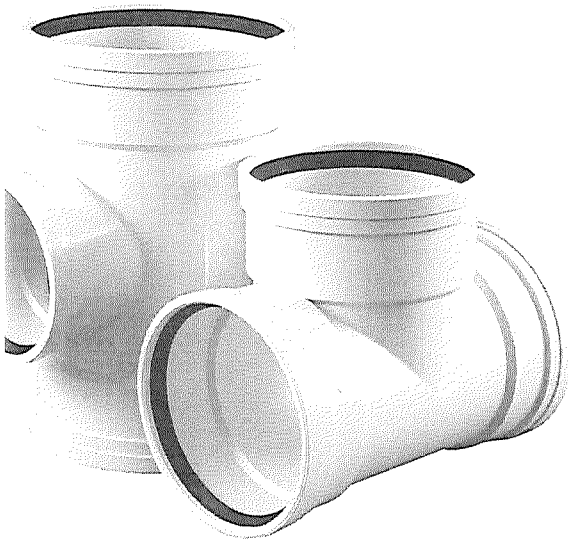
Prices are subject to a firm policy of "Price in effect at time of shipment on regular purchases"

"Possession of this page does not constitute an offer of sale"





ONLY ONE COMPANY MAKES 10" & 15" INJECTION MOLDED GASKETED SEWER FITTINGS



Multi Fittings is the only manufacturer to offer gasketed 12" and 15" SDR 35 molded sewer fittings in a range of wyes, tees and elbows.

Ideal for wastewater and stormwater applications, as well as the conveyance of industrial wastes, our large diameter molded sewer fittings are designed to exceed all applicable standards and are built to withstand higher impact forces, higher loads and survive the roughest jobsite handling. The impact strength of our sewer fittings exceed the requirements of ASTM F1336 by at least 25%.

For over 50 years, Multi Fittings has been an industry leader in offering the most comprehensively engineered and tested fittings for plastic pipe in North America.

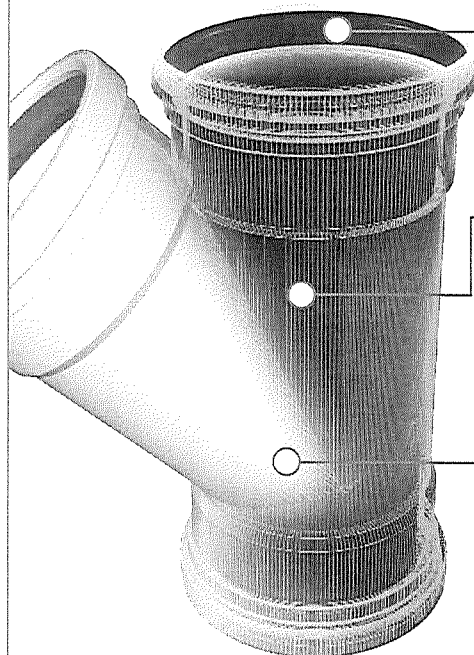
Multi Fittings produces the widest range of injection molded fittings for pressurized watermains and sewer forcemains, gravity flow sewers and drain, waste and vent applications.

TRENCH TOUGH PLUS™

6"

SIZES

4" & 15"



Locked-in Gasket Design

Makes assembling the joints easy, requiring less brute force in the trench, while ensuring leak-proof reliability in the ground.

Advanced Material Formulation

Leading crush-resistance, yet our fittings can flex to accommodate the extreme loads that cause rigid fittings to fail.

Structural Reinforcements

Reinforced at key intersecting locations where it's needed for added strength without losing flexibility.

MULTI FITTINGS

Telephone: 519 681-2140

Toll Free: 800 265-1815

Fax: 519 681-2156

more information on back ▶

FEATURES & BENEFITS

Easy to Install

Lightweight and easy to handle; with the patented Trench Tough Plus locked-in gasket design.

Joint Strength

Manufactured to allow for a high degree of joint deflection, reducing the risks caused by soil settlement or shifting.

Structural Strength

Leads the industry in crush-resistance and able to handle extreme loads underground.

Impact Strength

Designed to withstand the rigors of the job site, exceeding ASTM impact standards.



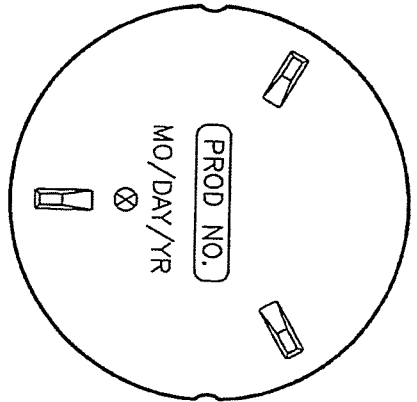
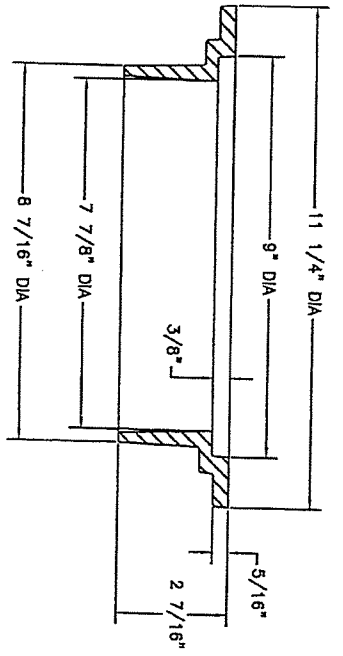
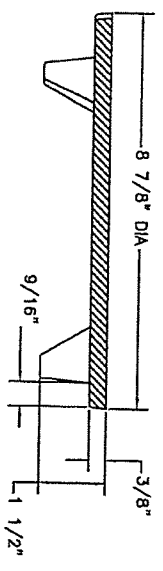
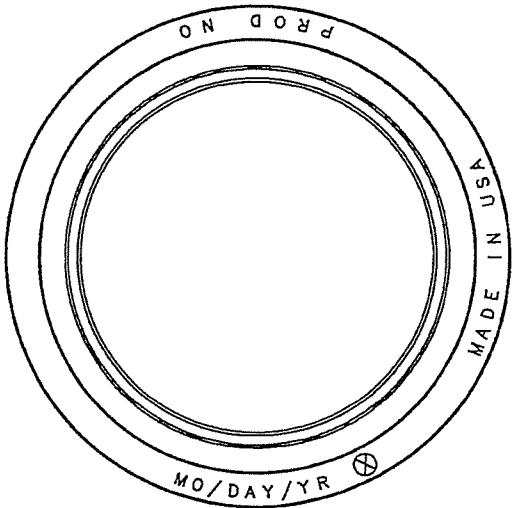
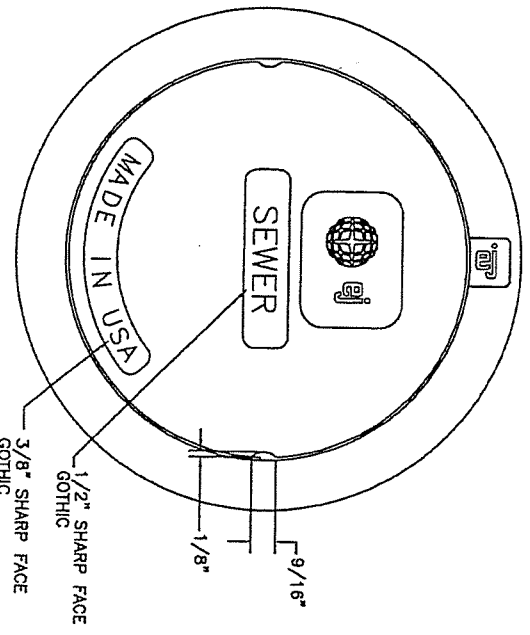
MULTI FITTINGS
HIGHER STANDARDS™

Telephone: 519 681-2140

Toll Free: 800 265-1815

Fax: 519 681-2156

V8503 Assembly



Product Number
48503086

Design Features
-Materials
Cleanout/Monument Box Frame
Gray Iron (CL35B)
Cleanout/Monument Box Cover
Gray Iron (CL35B)

-Design Load
Non-Traffic
-Open Area
n/a
-Coating
Undipped
-√ Designates Machined Surface

Certification
-ASTM A48
-Country of Origin: USA

Major Components
48503011
48503046

Drawing Revision
04/29/2004 Designer: DEW
3/19/2013 Revised By: DAE

Disclaimer
Weights (lbs./kg) dimensions (inches/mm) and drawings provided for your guidance. We reserve the right to modify specifications without prior notice.

CONFIDENTIAL: This drawing is the property of EJ GROUP, Inc., and embodies confidential information, registered marks, patents, trade secret information, and/or know how that is the property of EJ GROUP, Inc. Copyright © 2012 EJ GROUP, Inc. All rights reserved.

Contact
800 626 4653
ejco.com