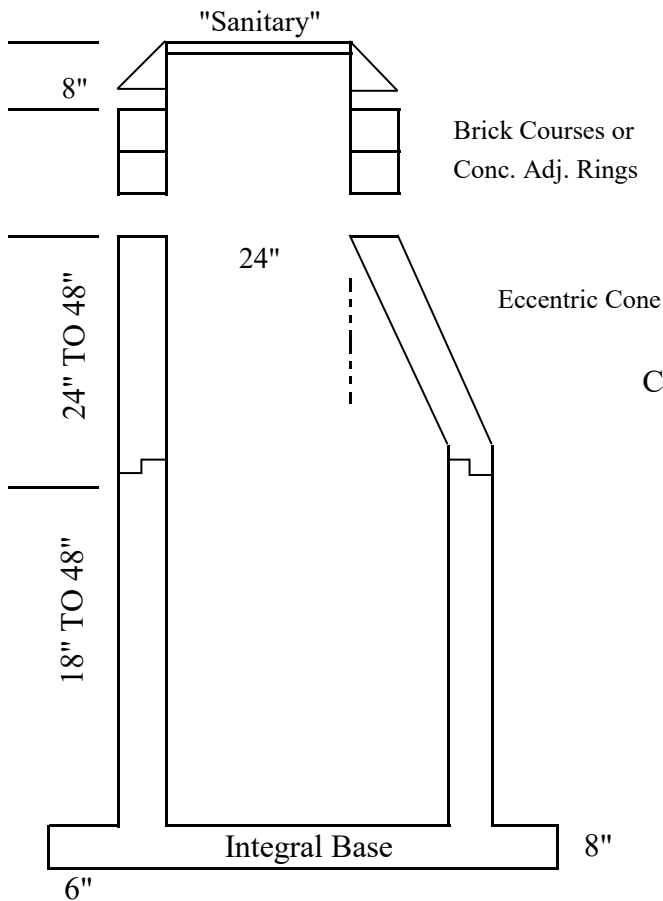


**Triple M Concrete Products, Inc.**

Sanitary Manhole  
ASTM C-478, 4,000PSI

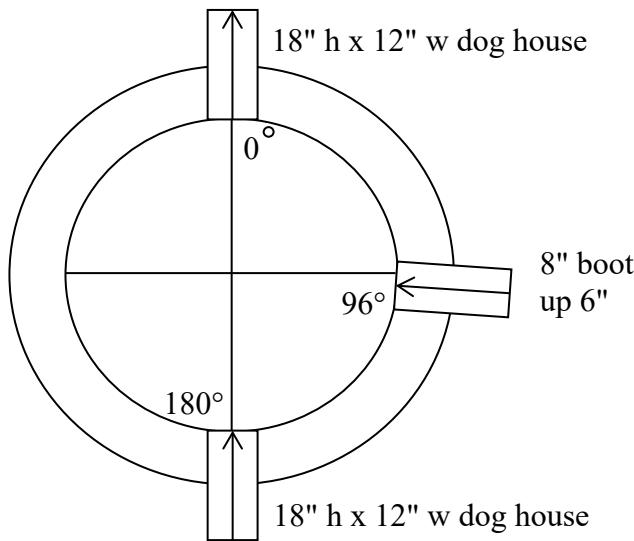


Top of Ring	<b>44.00</b>
Invert	<b>29.89</b>
Overall Height	<b>14.11</b>
Less Ring & Adj.	<b>1.11</b>
Manhole Height	<b>13.00</b>

**Cone Type:**

Eccentric	<b>X</b>
Flat Top	
Gaskets	<b>X</b>
Precast Base	
Base Poured Integrally	
Shop Poured Invert	
Conc. Adj. Rings	<b>2</b>
Surface Coating:	
Interior	
Exterior	

KOR-N-SEAL RUBBER BOOTS ON ALL PIPE PENETRATIONS



**Sections Required:**

- (1) 72" dog house riser
- (1) 48" RISER
- (1) 42" CONE

Notes: riser to be sunk 6" in poured base in field

This shop drawing has been reviewed by the contractor and/or manager and is approved as shown and hereby released for production.

**Triple M Concrete Products, Inc.**

**801 Benoit Rd.**

**Carencro, Louisiana 70520**

**Phone: 337-896-5652 Fax: 337-896-5719**

Sanitary Manhole No.: 1

Contractor / Engineer  
Signature

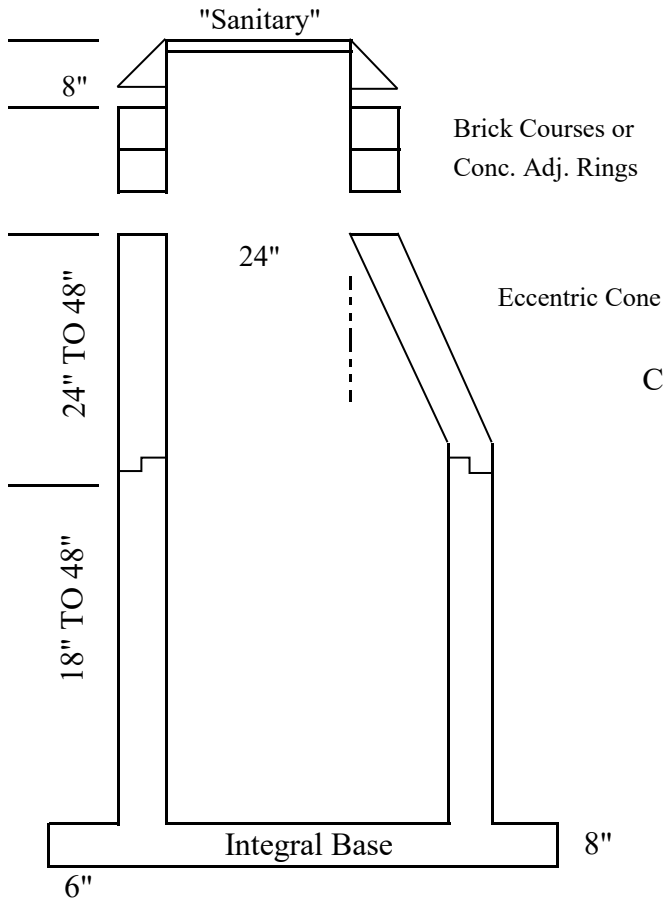
Date

Contractor: CSS

Project: EL PASO

**Triple M Concrete Products, Inc.**

Sanitary Manhole  
ASTM C-478, 4,000PSI

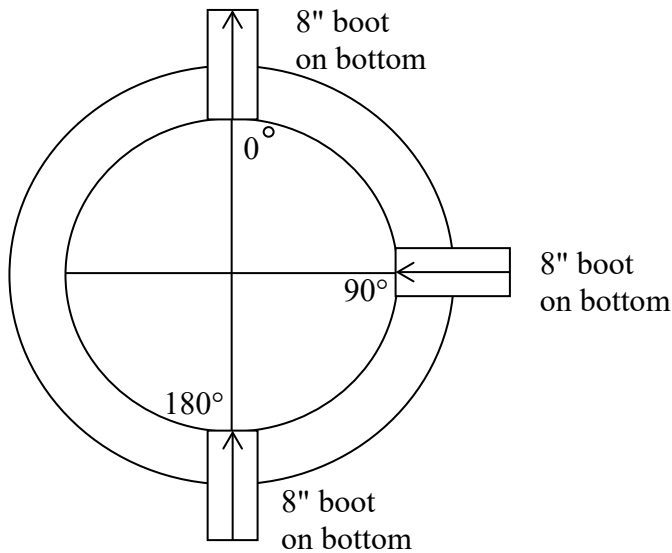


Top of Ring	<b>44.00</b>
Invert	<b>30.87</b>
Overall Height	<b>13.13</b>
Less Ring & Adj.	<b>1.13</b>
Manhole Height	<b>12.00</b>

**Cone Type:**

Eccentric	<b>X</b>
Flat Top	
Gaskets	<b>X</b>
Precast Base	
Base Poured Integrally	<b>X</b>
Shop Poured Invert	<b>X</b>
Conc. Adj. Rings	<b>2</b>
Surface Coating:	
Interior	
Exterior	

KOR-N-SEAL RUBBER BOOTS ON ALL PIPE PENETRATIONS



**Sections Required:**

- (1) 24" BASE
- (1) 72" RISER
- (1) 48" CONE

Notes:

This shop drawing has been reviewed by the contractor and/or manager and is approved as shown and hereby released for production.

**Triple M Concrete Products, Inc.**

**801 Benoit Rd.**

**Carencro, Louisiana 70520**

**Phone: 337-896-5652 Fax: 337-896-5719**

Sanitary Manhole No.: 2

Contractor / Engineer  
Signature

Date

Contractor: CSS

Project: EL PASO