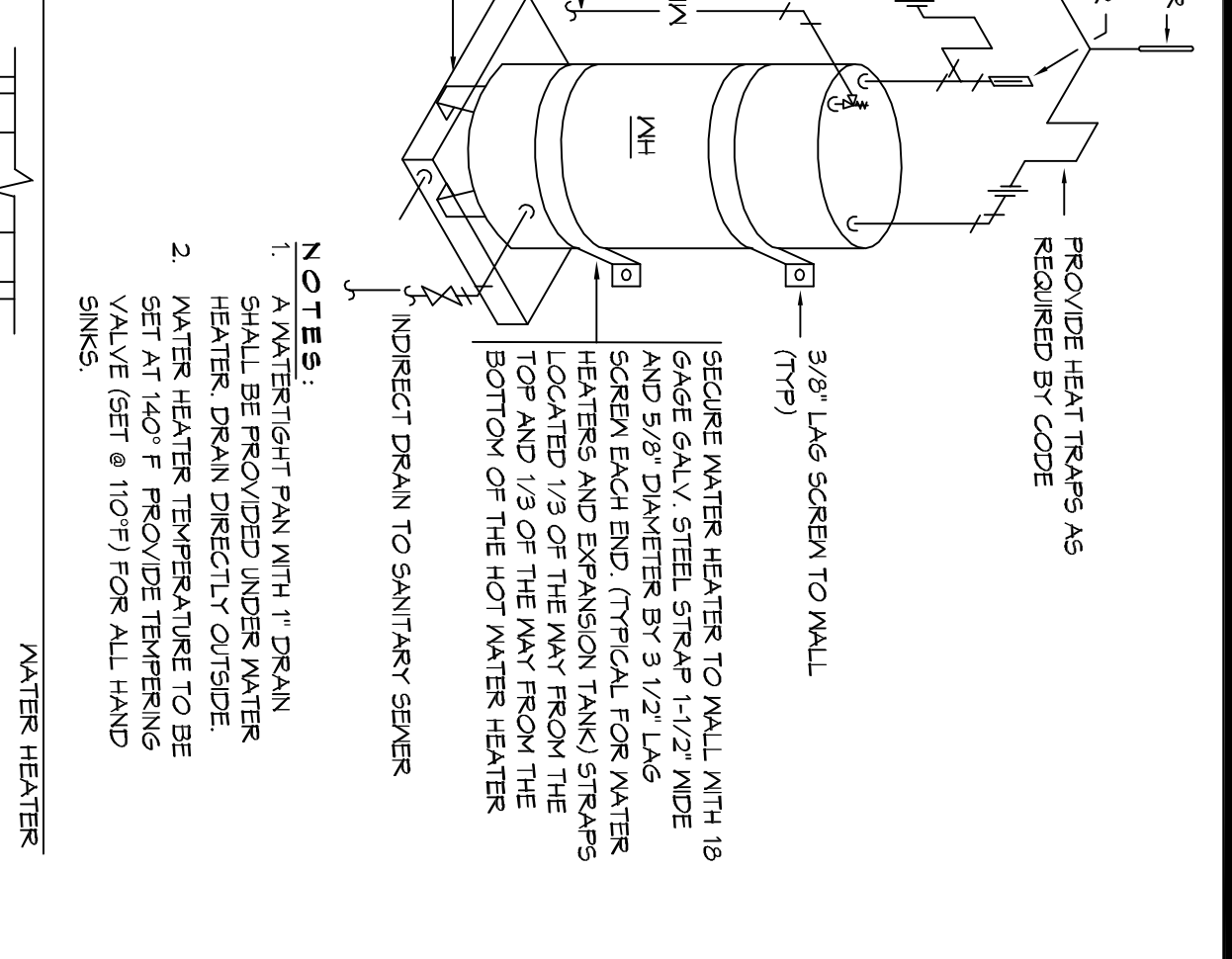
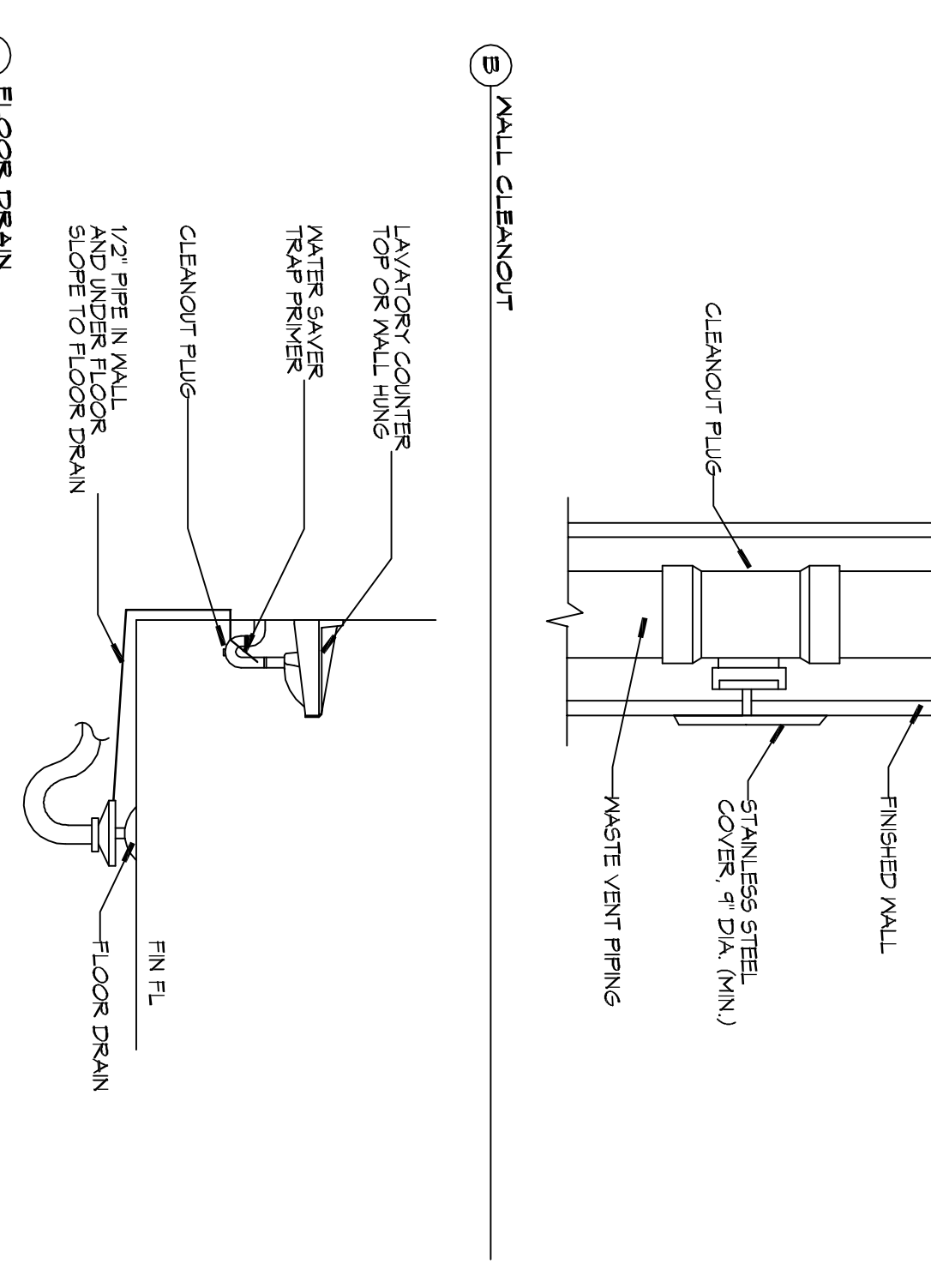


### 4 DETAIL

SCALE: NTS



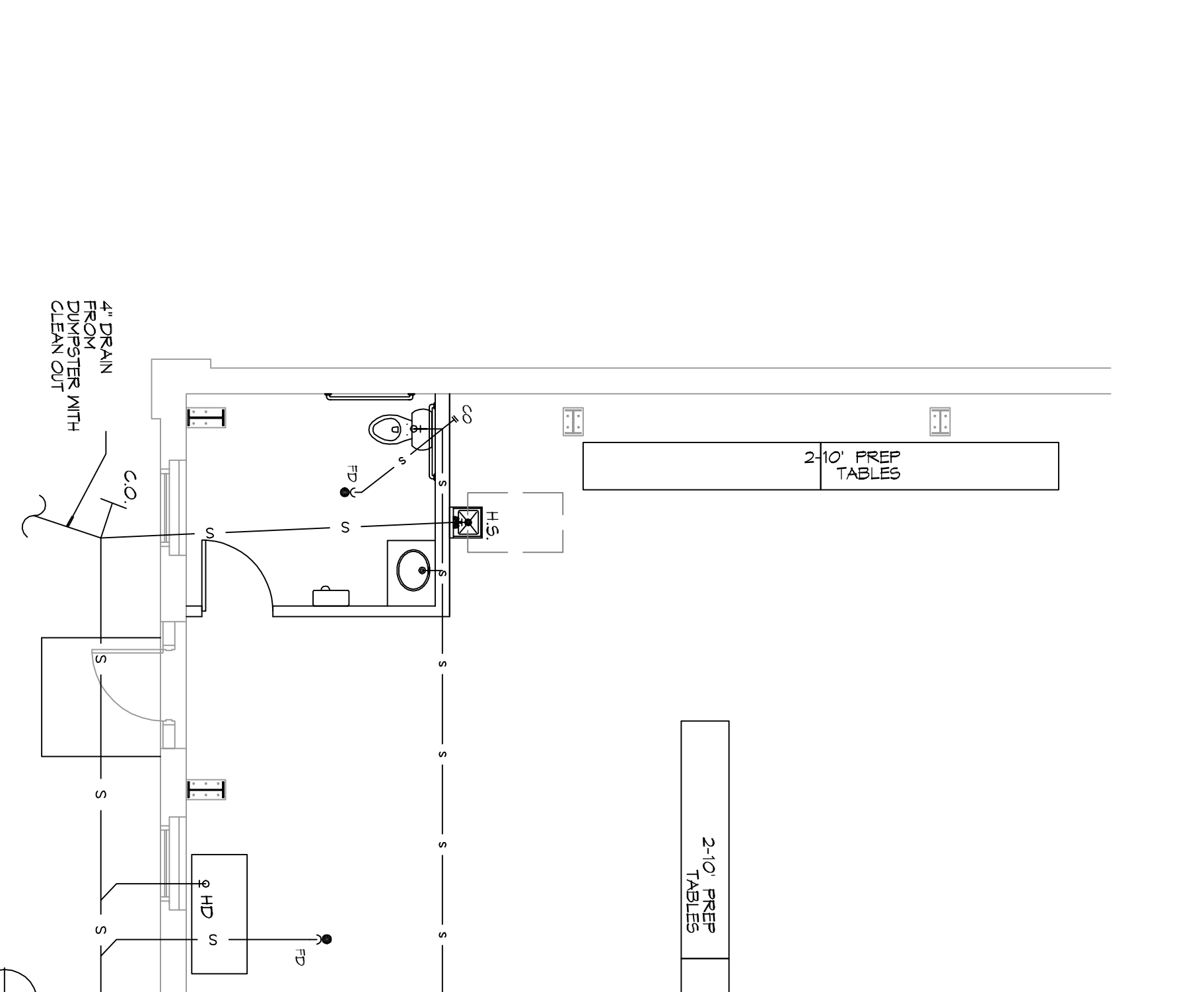
- NOTES:**
1. A WATER TIGHT PAN WITH 1" DRAIN SHALL BE PROVIDED UNDER WATER HEATER DRAN DIRECTLY OUTSIDE.
  2. WATER HEATER TEMPERATURE TO BE SET AT 140°F. PROVIDE TEMPERING VALVE (BT @ 10°F) FOR ALL HAND SINGS.



- NOTES:**
1. FLOOR DRAIN SHALL BE PROVIDED UNDER WATER HEATER DRAN DIRECTLY OUTSIDE.
  2. WATER HEATER TEMPERATURE TO BE SET AT 140°F. PROVIDE TEMPERING VALVE (BT @ 10°F) FOR ALL HAND SINGS.

### 2 TYPICAL DETAILS

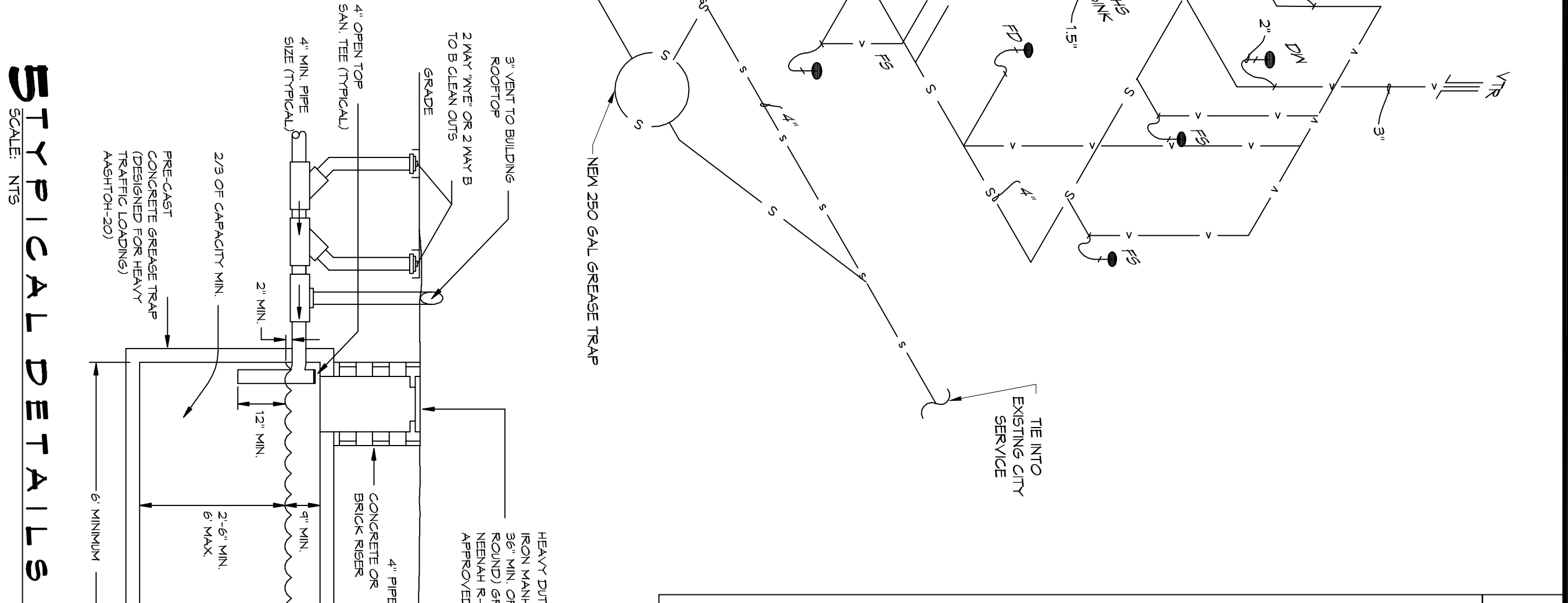
SCALE: NTS MISCELLANEOUS PLUMBING



- NOTES:**
1. FLOOR DRAIN SHALL BE PROVIDED UNDER WATER HEATER DRAN DIRECTLY OUTSIDE.
  2. WATER HEATER TEMPERATURE TO BE SET AT 140°F. PROVIDE TEMPERING VALVE (BT @ 10°F) FOR ALL HAND SINGS.

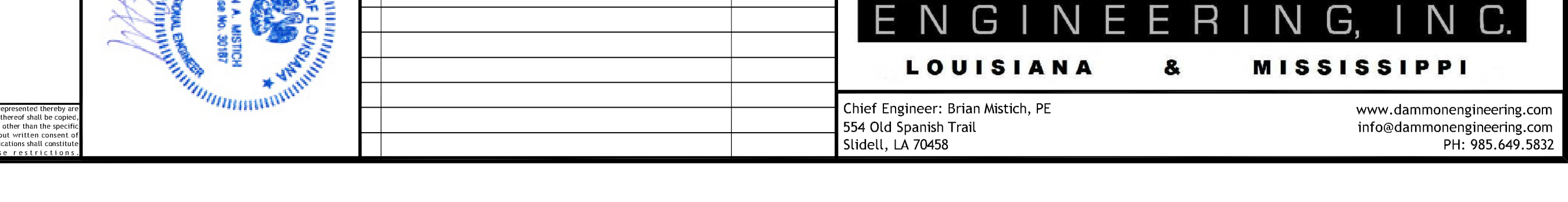
### 3 PLUMBING RISER DIAGRAM

SCALE: NTS



### 5 TYPICAL DETAILS

SCALE: NTS GRAVITY GREASE TRAP

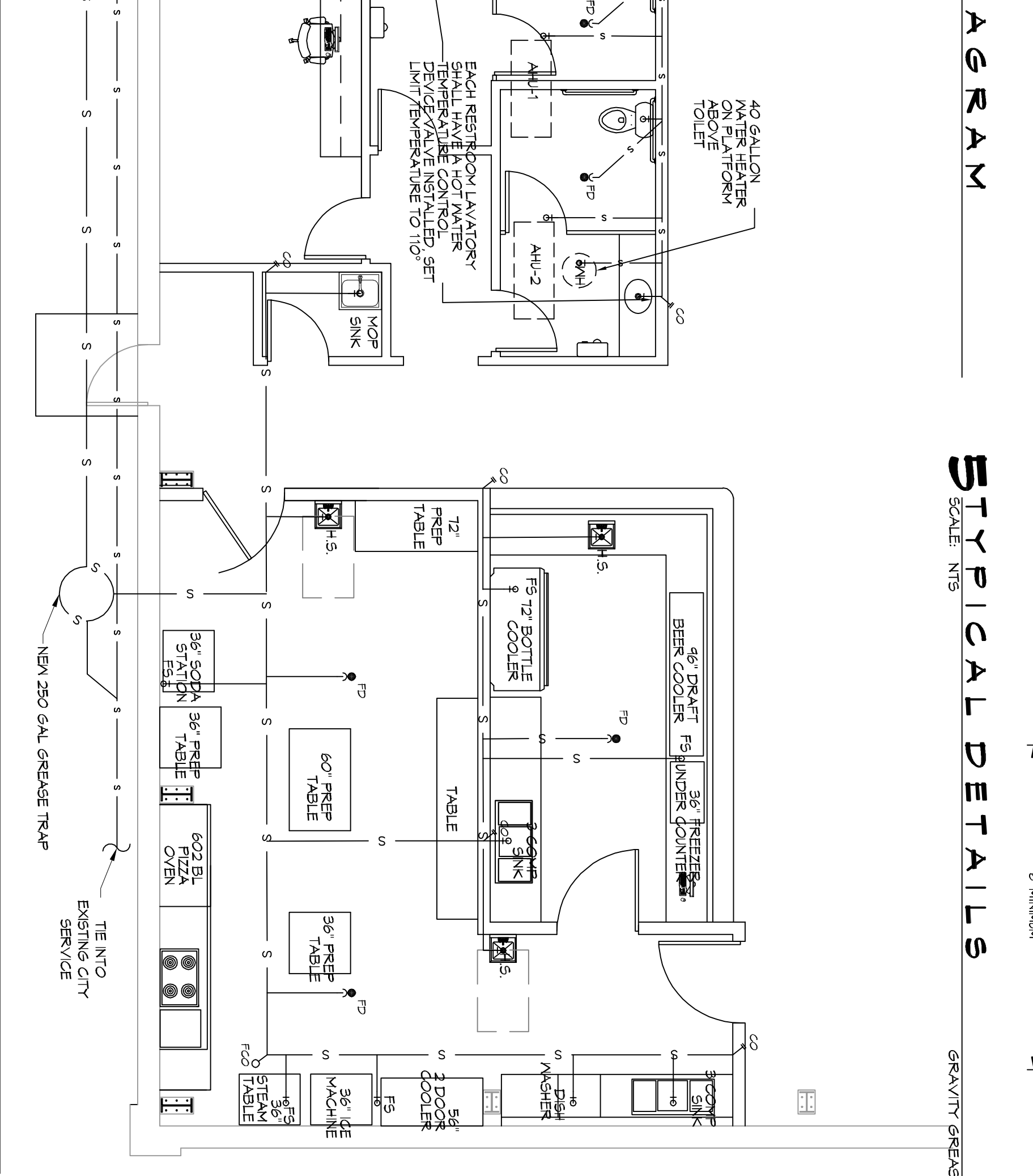


### GENERAL PLUMBING NOTES

1. SEE VENDORS DRAWINGS.
2. PLUMBING LINES SHOWN ARE DRAIN, DISBURGEMENT, NATURAL GAS AND REPRESENT CONCEPTUAL ROUTING ONLY. CONTRACTOR IS RESPONSIBLE FOR FIELD VERIFICATION OF ALL LOCAL CONDITIONS.
3. PROVIDE 1\"/>
- 4. ALL WORK AND MATERIAL SHALL CONFORM STRICTLY TO THE LATEST LOCAL CITY, PARISH, STATE AND NATIONAL GOVERNING CODES. MUST MEET LA STATE PLUMBING CODE 2013 REQUIREMENTS.
- 5. CONTRACTOR IS TO FIELD VERIFY ALL EXISTING UTILITY LOCATIONS, ELEVATIONS AND SIZES PRIOR TO COMMENCING. ANY WORK CONTRACTOR SHALL PAY NECESSARY FEES FOR THE UTILITIES CONNECTIONS.
- 6. CONTRACTOR IS RESPONSIBLE TO VERIFY THE EXISTING INVERTS AND SET NEW INVERTS OF SEWERAGE AND DRAINAGE PIPES.
- 7. SEWERAGE LINES 3\"/>
- 8. TEST ALL PIPES AT REQUIRED PRESSURE.
- 9. ALL PLUMBING SHALL BE CLOSELY COORDINATED WITH STRUCTURAL, MECHANICAL SYSTEM AND ELECTRICAL SYSTEMS TO INSURE NO TRADES WILL CONFLICT WITH EACH OTHER.
- 10. DO NOT SCALE DRAWINGS. SEE ARCHITECTURAL DRAWINGS FOR EXACT LOCATIONS OF DOORS, WINDOWS, WALLS, FIXTURES, ETC.
- 11. ALL WATER MAINS AND PIPING NOT SHOWN FOR CLARITY. ALL LOCATIONS FIELD VERIFIED.
- 12. DOMESTIC HOT AND COLD WATER PIPING AND FITTINGS UNDER SLAB SHALL BE A375 B88 COPPER WATER TUBE TYPE K SOFT ANNEAL. NO JOINTS SHALL BE ALLOWED UNDER THE SLAB.
- 13. DOMESTIC WATER PIPING AND FITTINGS ABOVE THE SLAB SHALL BE A375 B88 COPPER WATER TUBE TYPE L. HARD DRAWN WITH COPPER PRESSURE TYPE FITTINGS. AND B16.22 THE JOINTS SHALL BE SOLDERED. TEST PIPING AND FITTINGS ABOVE THE SLAB SHALL BE SERVICE WEIGHT CAST IRON PIPE OR A85 DWV PIPES AND FITTINGS WHERE PERMITTED BY CODE.
- 14. SOIL, WASTE, VENT PIPING AND FITTINGS ABOVE THE SLAB SHALL BE SERVICE WEIGHT CAST IRON PIPE OR A85 DWV PIPES AND FITTINGS WHERE PERMITTED BY CODE. USE PVC SCHEDULE 40 OR A85 DWV PIPES AND FITTINGS ABOVE THE FLOOR SHALL BE INSULATED WITH 1/2\"/>
- 15. ALL WATER PIPING AND FITTINGS ABOVE THE FLOOR SHALL BE INSULATED WITH 1/2\"/>
- 16. ALL ELECTRICAL, MECHANICAL AND PLUMBING ELEMENTS PENETRATING FIRE PARTITIONS SHALL BE FIRE CALLED. (PENETRATIONS THROUGH RATED CONSTRUCTION SHALL BE ALLOWED UNDER THE SLAB. CAPABLE OF PREVENTING THE PASSAGE OF FLAMES AND HOT GASES WHEN TESTED IN ACCORDANCE WITH ASTM E-814).
- 17. SEE ROOF PLAN FOR PLUMBING ROOF PENETRATIONS. ROUTE VENT PIPES IN ATTIC AS NECESSARY.
- 18. ALL VENTS THROUGH ROOF (VTR) SHALL BE LOCATED A MINIMUM OF 10'-0\"/>
- 19. ALL VENTS THROUGH ROOF (VTR) SHALL BE LOCATED A MINIMUM OF 10'-0\"/>
- 20. NATURAL GAS INTAKE

### 1 PLUMBING PLAN

SCALE: 3/8\"/>



LEGEND	
SYMBOL	DESCRIPTION
—S—S—	SANITARY SEWER
—V—V—	VENT PIPE
—D—D—	FLOOR DRAIN
—CO—	LINE CLEAN OUT
—WCO—	WALL CLEAN OUT

MINIMUM PLUMBING FIXTURE COUNT	
EG 2012 OCCUPANT LOAD TABLE 1004.1.2	
ASSEMBLY WITHOUT FIXED SEATS - UNCONCENTRATED TABLES AND CHAIRS - 15 NET	1154 S.F. / 15 = 77
KITCHENS, COMMERCIAL - 200 GROSS S.F. / 200 = 4.5	
OFFICE - Business areas - 100 GROSS S.F. / 100 = 1.7	
TOTAL OCCUPANCY PER IBC	99.2
IBC 2012 PARA 403.1.1: FIXTURE CALCULATIONS TO DETERMINE THE OCCUPANT LOAD OF EACH SEX THE TOTAL OCCUPANT LOAD SHALL BE DIVIDED IN HALF. THEREFORE EACH OCCUPANTS = 1 TABLE AND 1 SEAT.	
IBC 2012 Table 403.1 - A-2 RESTAURANT - WATER CLOSETS PER '15	

MINIMUM SIZE GREASE TRAP	
AMENDMENT PART 1 TO IBC 2012 SECTION 1009.9.5	
A. THE MINIMUM CAPACITY FOR APPLICATIONS WITHOUT A GARAGE GRINDER SHALL NOT BE LESS THAN 128 GALLONS BEYOND THE STATIC WATER LEVEL. WHEN OVER 50 PEOPLE ARE SERVED DURING A SINGLE MEAL PERIOD, THE MINIMUM CAPACITY SHALL BE INCREASED BEYOND 128 GALLONS BASED UPON AT LEAST AN ADDITIONAL 2 1/2 GALLONS PER PERSON BEGINNING WITH THE 51ST PERSON SERVED AND GREATER.	
NUMBER OF OCCUPANTS	77
MINIMUM SIZE GREASE TRAP	125 x (2.5 x 27) = 192.5 GAL. = 250 GAL. GRAVITY OR HYDROMECHANICAL WITH A FLOW RATE OF 100 GPM

**NEW PREP FACILITY**

**OLD CITY**

227 COUNTESS STREET  
SLIDELL, LA 70458

JOB NO: 2324 DATE: 11-21-17

DRAWN BY: [Signature] CHECKED BY: [Signature]

DRAWING NUMBER: **P101**

SHEET NO: 6 of 8



REVISIONS		
#	DESCRIPTION	DATE
1	REVISED PLUMBING DIAGRAM	11-13-15

**DAMMON ENGINEERING, INC.**

LOUISIANA & MISSISSIPPI

Chief Engineer: Brian Mstich, PE

554 Old Spanish Trail  
Slidell, LA 70458

www.dammonengineering.com  
info@dammonengineering.com  
PH: 985.649.5832