

LIFE-SAFETY INFORMATION	
APPLICABLE CODES	
NFPA 101 LIFE-SAFETY CODE 2012	
OCCUPANCY B, CONSTRUCTION TYPE II B	
BUSINESS (CHAPTER 9B)	
OCCUPANT LOAD FACTOR	(REFERENCE TABLE 7.3.1.2)
100 SF PER OCCUPANT	30 OCCUPANTS
BUSINESS AREA = 3000 SQ.FT.	
TOTAL OCCUPANTS = 30	
CLASSIFICATION OF HAZARD OF CONTENTS	
(REFERENCE: OCCUPANCY CHAPTER AND 6.2.2. SPECIFY LOW, ORDINARY, OR HIGH)	
CONSTRUCTION TYPE(S) (REFERENCE: CHAPTER 8, TABLE A.8.2.1.2 AND COMMENTARY TABLE 8.1 IN HANDBOOK)	
II B	
MINIMUM EXIT SEPARATION DISTANCE FOR REMOTELY LOCATED EXITS	
(REFERENCE: SECTION 7.5; SPECIFY 1/2 OR 1/3 DIAGONAL DISTANCE OF AREA SERVED)	
1/2 DIAGONAL =	N/A
MAXIMUM DEAD-END CORRIDORS (REFERENCE: OCCUPANCY CHAPTER AND TABLE A.7.6)	
MAXIMUM COMMON PATH OF TRAVEL DISTANCE (REFERENCE: OCCUPANCY CHAPTER AND TABLE A.7.6)	
MAXIMUM TRAVEL DISTANCE TO EXITS (REFERENCE: OCCUPANCY CHAPTER AND TABLE A.7.6)	
MAIN ENTRANCE MUST BE SIGNED TO ACCOMMODATE 1/2 OCCUPANT LOAD OF BUILDING	
EXTINGUISHMENT REQUIREMENTS SPRINKLER (NOT REQUIRED)	
DETECTION, ALARM, AND COMMUNICATION SYSTEMS NO	
ALLOWABLE HEIGHT AND BUILDING AREA PER IBC EQUIVALENT CONSTRUCTION TYPE	

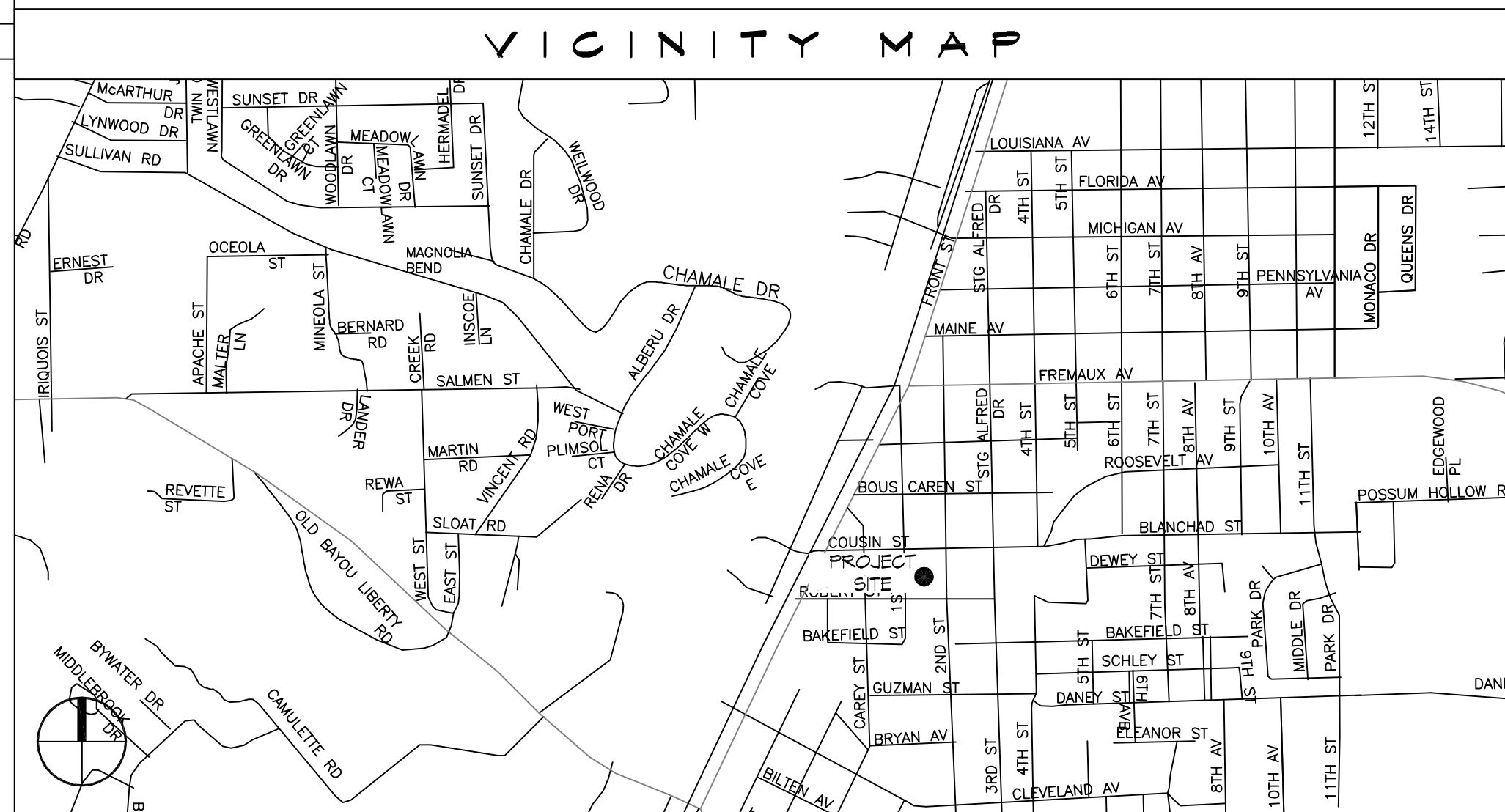
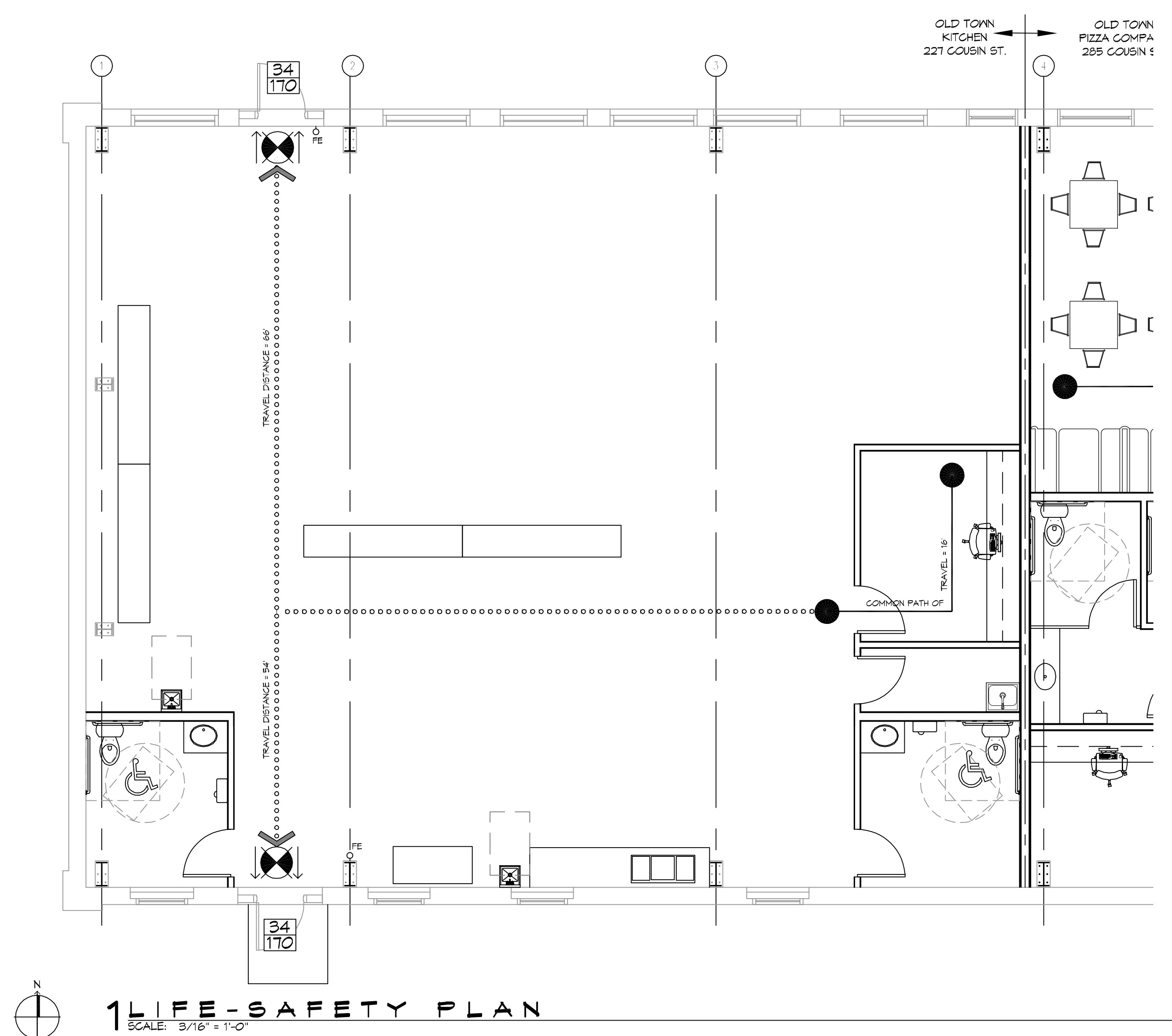
BUILDING CODE INFORMATION	
APPLICABLE CODES	
IBC 2012	
OCCUPANCY B, BUSINESS GROUP B (IBC 2012 CHAPTER 10)	
OCCUPANT LOAD CALCULATIONS (TABLE 1004.1.2)	
BUSINESS AREA = 3000 SQ. FT.	100 SF PER OCCUPANT (GROSS) 30 OCCUPANTS
TOTAL OCCUPANTS 30	
CONSTRUCTION TYPE(S) (TABLE 503)	
II B (SECTION 503)	
ALLOWABLE HEIGHT AND BUILDING AREA LIMITED BY TYPE OF CONSTRUCTION	
MAXIMUM HEIGHT IN STORES (SECTION 503 & 504, TABLE 503)	2
MAXIMUM AREA IN SQUARE FEET (SECTION 503, 506 & 507, TABLE 503)	9,500

WIND SPEED DESIGN REQUIREMENTS	
THIS BUILDING SHALL BE DESIGNED WITH IBC SEC 1609 AS A FULLY ENCLOSED BLDG USING THE FOLLOWING INFORMATION:	
WIND DESIGN DATA:	
DETERMINATION OF WIND LOADS SHALL BE IN ACCORDANCE WITH IBC SEC 1609.3 (A), (B), OR (C) DEPENDING ON THE RISK CATEGORY	
BASIC WIND SPEED (3 SECOND GUST) = 132 MPH (IBC FIG 1609C)	
RISK FACTOR:	CATEGORY I BLDG SURFACE ROUGHNESS = C
TOPOGRAPHIC FACTOR = 1	EXPOSURE = C
DESIGN WIND PRESSURE (ASCE 7-10 TABLE 28.6-1): 34.7 PSF	
INTERNAL PRESSURE COEFFICIENT (ASCE 7-10 TABLE 26.11-1): ± 0.18	
LIVE LOADS (IBC SEC 1607): 125 PSF	
STORAGE, LIGHT (IBC TABLE 1607.1): 125 PSF	
ROOF LIVE LOADS (IBC TABLE 1607.1): 20 PSF UNIFORM, 300 LB CONCENTRATED	
SNOW LOADS (IBC TABLE 1609): 5 PSF	
GROUND SNOW LOAD (IBC FIG 1608.2): 5 PSF	

FLOOD ZONE INFORMATION	
BASED ON THE SURVEY OF THIS PROPERTY BY R.M. KREBBS LLC, THIS PROPERTY IS IN SPECIAL FLOOD HAZARD AREA, F.I.R.M. COMMUNITY MAP NO 225204 0010 C	
FLOOD ZONE:	AE BASE FLOOD ELEVATION NGVD 9.0'
ELEVATIONS REFER TO NGVD 1929 DATUM	

LIFE-SAFETY LEGEND	
SYMBOL	DESCRIPTION
➤	EXITS
(45)	DOOR FIRE RATING (MINUTES)
34 170	DOOR WIDTH/EGRESS CAPACITY
⊗	EXIT LIGHT
• FE	FIRE EXTINGUISHER IV/ WALL MTD BRACKET
-----	COMMON PATH OF TRAVEL
o-o-o-o-o-o-o-o	TRAVEL DISTANCE
•	DECISION POINT

OLD TOWN KITCHEN 227 COUSIN STREET SLIDELL, LA 70458



SHEET INDEX	
SHEET #	SHEET TITLE
G101	GENERAL INFORMATION SHEET
G102	ACCESSIBILITY INFORMATION
C101	SITE PLAN
C102	SITE UTILITIES PLAN
A101	FLOOR PLAN
P101	PLUMBING PLAN
M101	MECHANICAL FLOOR PLAN, SCHEDULES & DETAILS
E101	POWER AND LIGHTING PLAN
E102	PANEL SCHEDULES

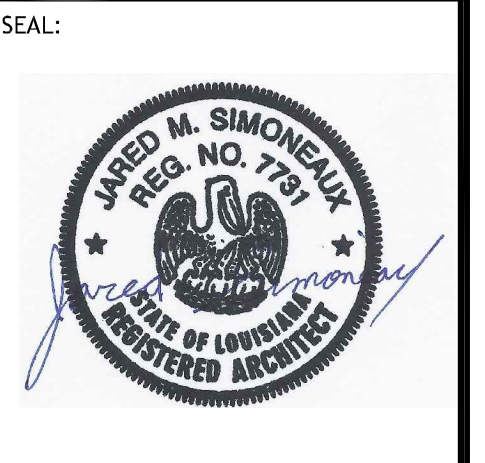
- ### GENERAL NOTES
- ALL MATERIALS AND WORK, INCIDENTAL TO THE CONSTRUCTION OF THIS PROJECT, SHALL CONFORM TO ALL GOVERNING CODES, AND REGULATIONS OF AGENCIES IN AUTHORITY.
 - CONTRACTOR SHALL PROVIDE ALL PUBLIC PROTECTIONS NECESSARY AS REQUIRED BY LAW.
 - THE DRAWINGS AND ANY SUBSEQUENTLY ISSUED ADDENDA, AMENDMENTS OR SUCH CHANGE ORDERS APPROVED BY THE OWNER AND THE CONTRACTOR ARE PART OF THESE CONTRACT DOCUMENTS.
 - DO NOT SCALE DRAWINGS. CONSULT WITH THE ENGINEER REGARDING ANY ITEMS IN THE CONTRACT DOCUMENTS THAT REQUIRE CLARIFICATION.
 - TRASH SHALL BE REMOVED FROM THE SITE NOT LESS THAN TWICE MONTHLY.
 - THE GENERAL CONTRACTOR SHALL VERIFY EXISTING CONDITIONS PRIOR TO COMMENCING WORK AND REPORT ANY AND ALL DISCREPANCIES TO THE ARCHITECT.
 - CONTRACTOR VEHICLES AND EQUIPMENT NECESSARY FOR CONSTRUCTION MAY BE PARKED ON THE SITE. OTHER VEHICLES PARKED ON THE SITE REQUIRE THE OWNER'S PERMISSION.
 - ALL MATERIALS/EQUIPMENT SHALL BE INSTALLED PER MANUFACTURER'S RECOMMENDATIONS. WORK NOT CONSISTENT WITH MANUFACTURER'S RECOMMENDATIONS WILL BE REJECTED BY OWNER/ARCHITECT.

DAMMON ENGINEERING, INC.
LOUISIANA & MISSISSIPPI

www.dammonengineering.com
info@dammoneng.com
Slidell, LA 70458
Ph: 985.498.9832

Chief Engineer: Brian Mitchell, PE
Slidell, LA 70458

REVISIONS	DATE
#	DESCRIPTION



**NEW PREP FACILITY
OLD TOWN KITCHEN**

SHEET TITLE:
GENERAL INFORMATION SHEET

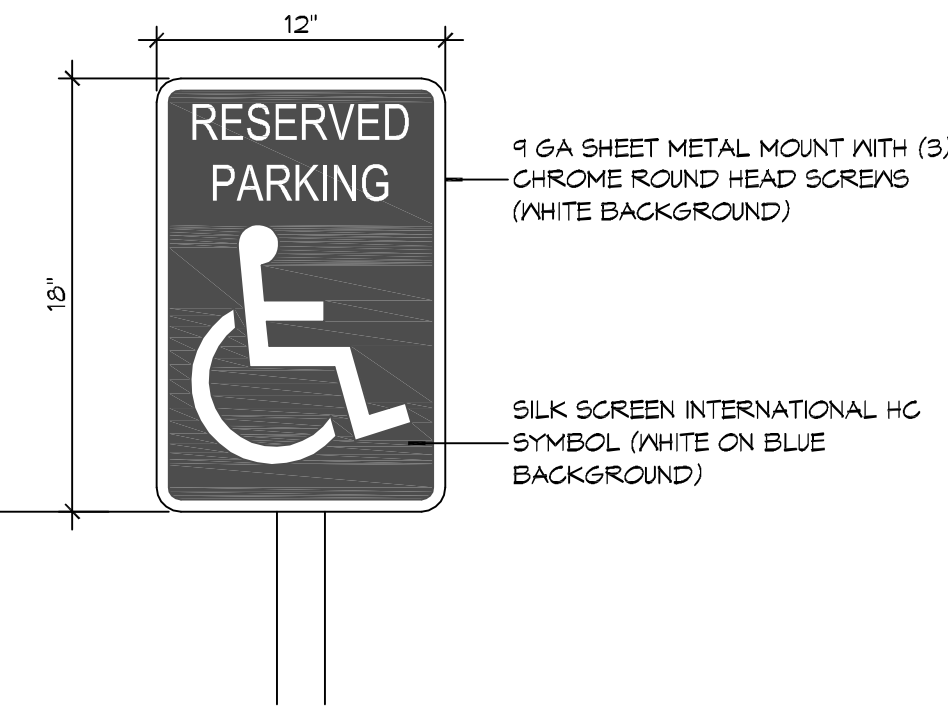
DRAWING NUMBER:
G101

JOB No: 2224
DATE: 11-21-17
CHECKED BY: GSD
DRAWN BY: GSD

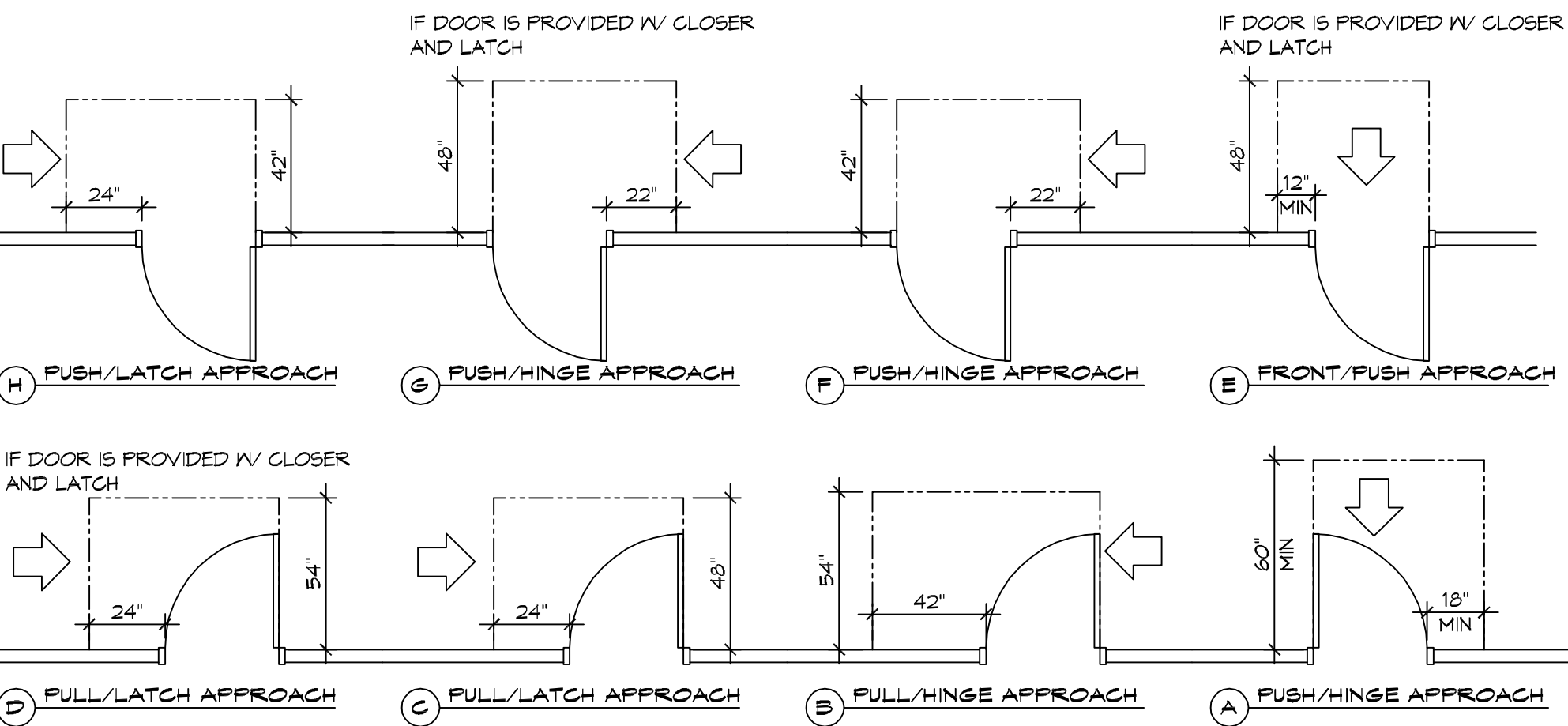
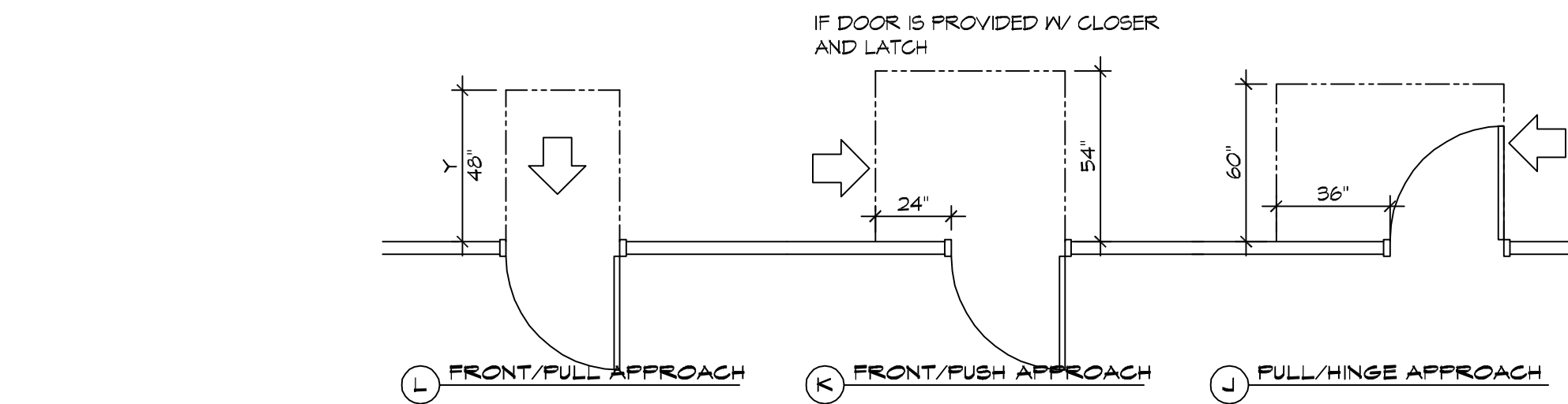
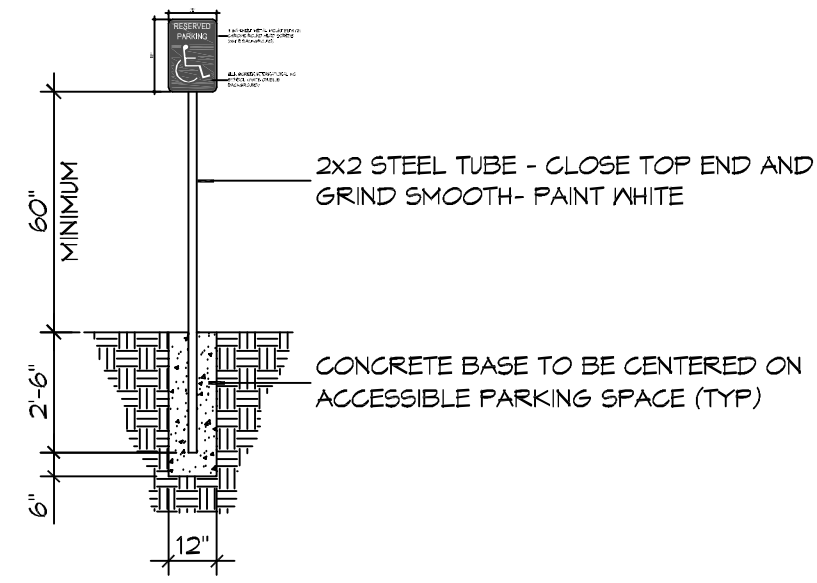
227 COUSIN STREET
SLIDELL, LA 70458

SHEET No: 1 of 4

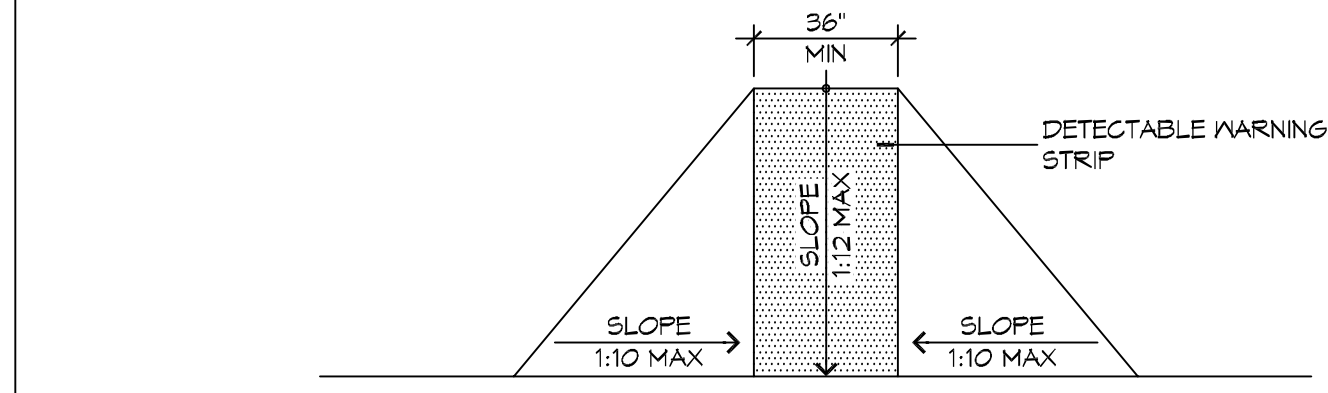
THE NAME, ADDRESS, PHONE NUMBER, E-MAIL ADDRESS, AND WEBSITE OF THE DESIGNER SHALL BE PRINTED IN THE UPPER LEFT CORNER OF EACH SHEET.



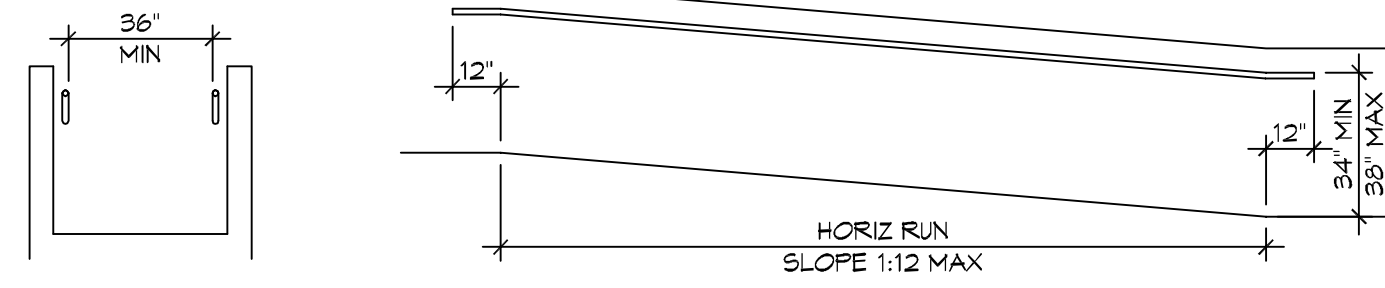
5 ACCESSIBLE SIGN
SCALE: NTS



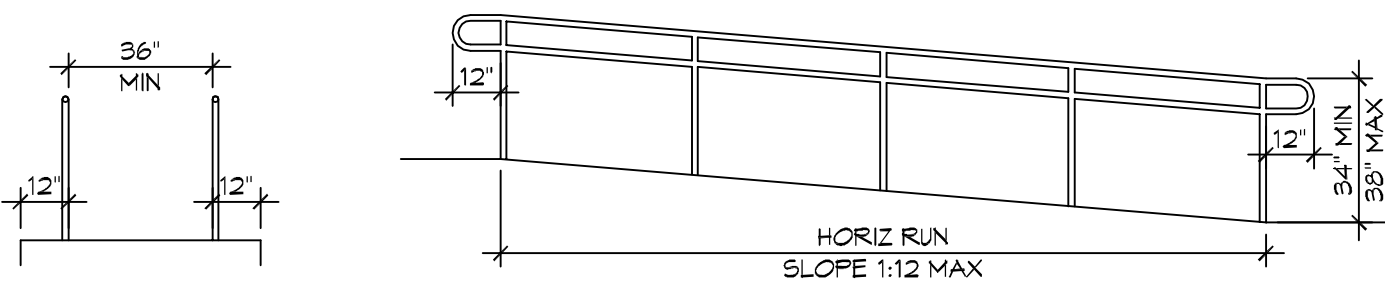
3 ADA DOOR CLEARANCES
SCALE: 1/4" = 1'-0"



F FLARED RAMPS

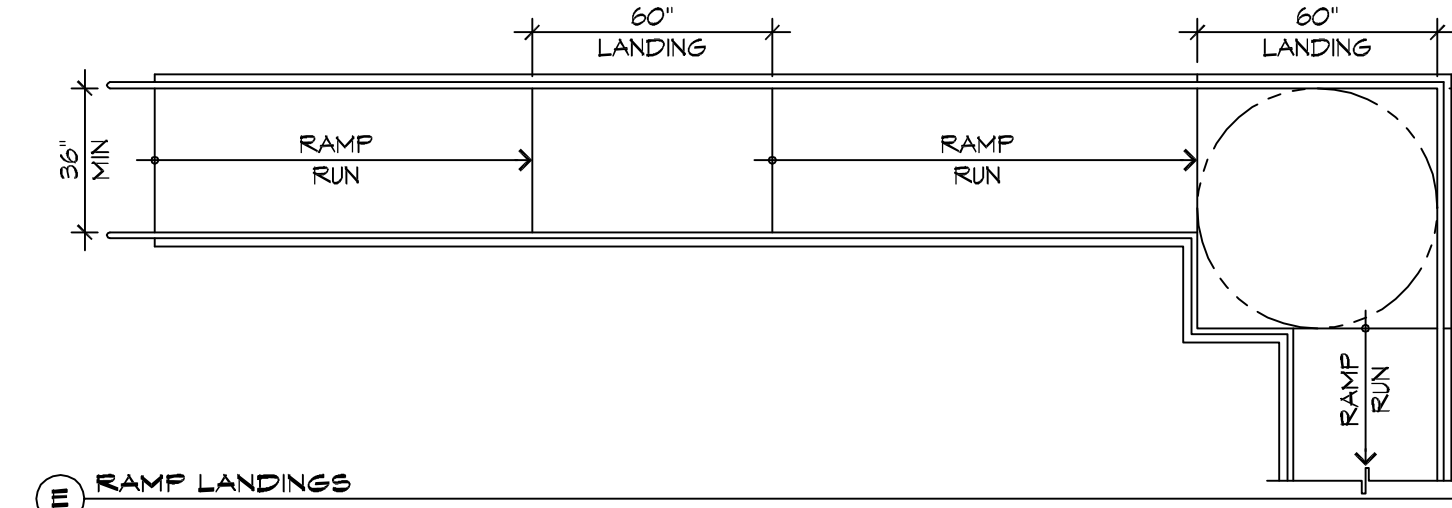


D WALL EDGE PROTECTION

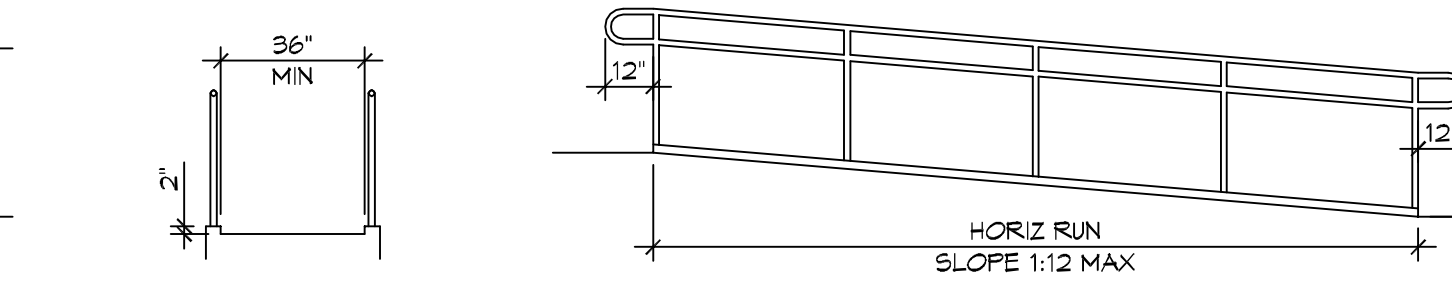


B EXTENDED SURFACE EDGE PROTECTION

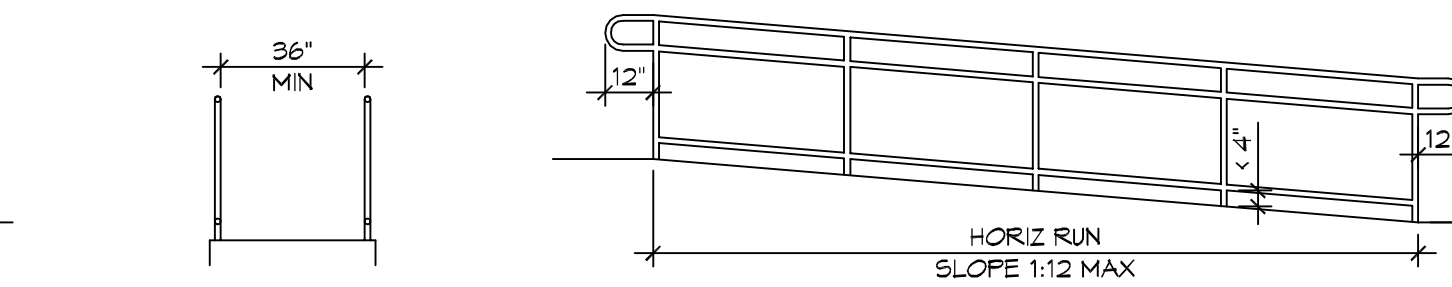
4 ACCESSIBLE RAMPS
SCALE: 1/4" = 1'-0"



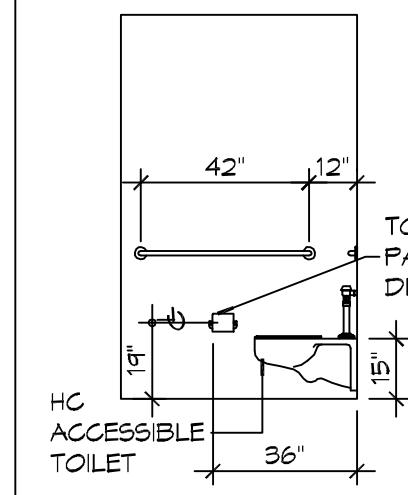
E RAMP LANDINGS



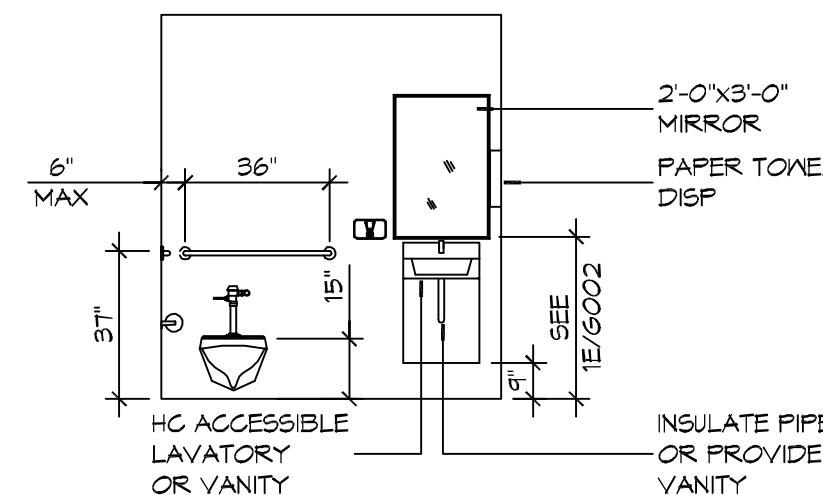
C CURB EDGE PROTECTION



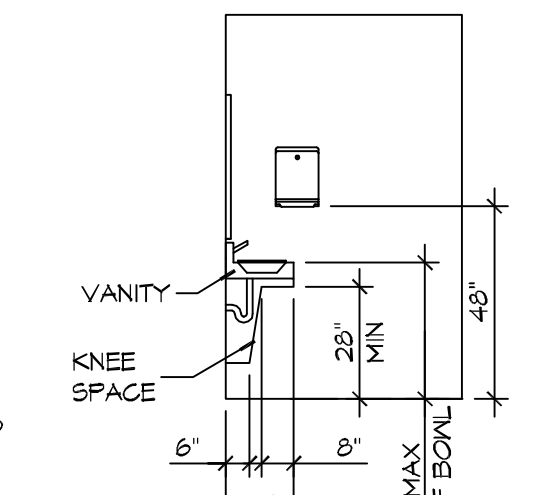
A BARRIER EDGE PROTECTION



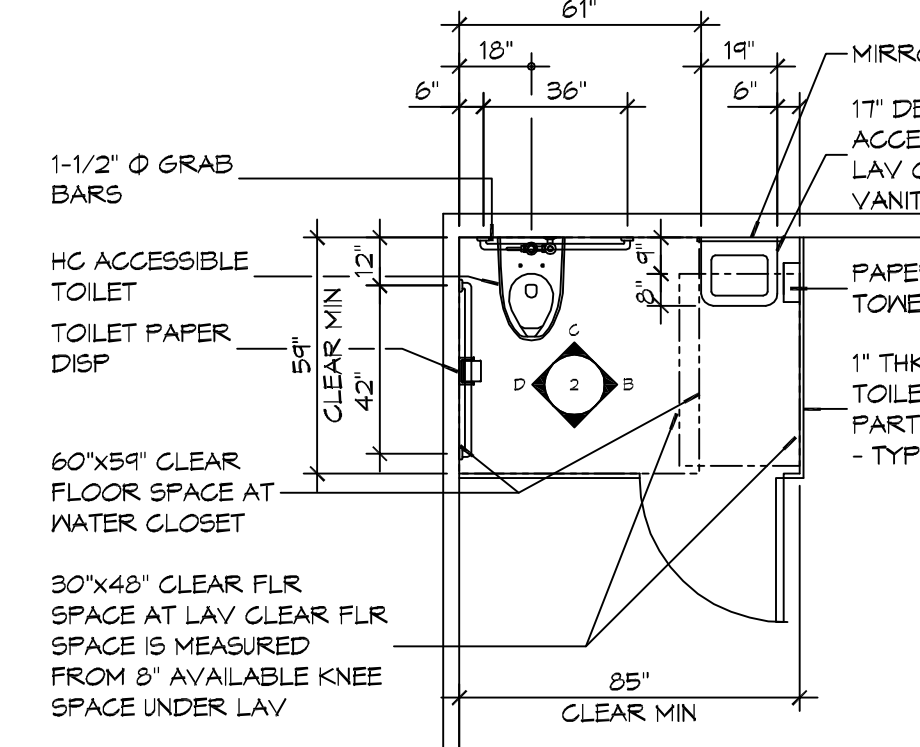
D INTERIOR ELEVATION



C INTERIOR ELEVATION



B INTERIOR ELEVATION



A FLOOR PLAN

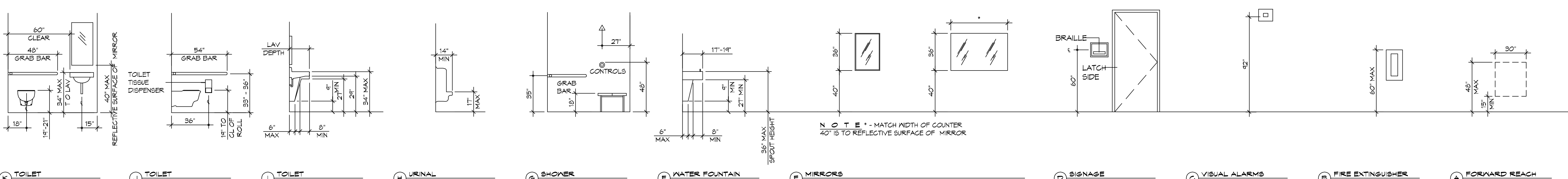
2 RESTROOM CLEARANCES
SCALE: 1/4" = 1'-0"

ACCESSIBILITY NOTES

DOOR CLEARANCE NOTES
 ALCOVES SHALL COMPLY WITH THE CLEARANCES FOR FRONT APPROACHES, 31/3002 - 3K/3002.
 DOOR HARDWARE SHALL BE LEVER TYPE.
 MAX DOOR OPENING FORCE:
 INTERIOR HINGED DOORS: 5 LBF
 EXTERIOR HINGED DOORS: 8.5 LBF
 SLIDING OR FOLDING DOORS: 5 LBF
 FIRE DOORS SHALL HAVE THE MINIMUM OPENING FORCE ALLOWABLE BY THE APPROPRIATE ADMINISTRATIVE AUTHORITY.
 HARDWARE REQUIRED FOR ACCESSIBLE DOOR PASSAGE SHALL BE MOUNTED NO HIGHER THAN 48" AND NOT LESS THAN 34" ABOVE FINISHED FLOOR.
 THE FLOOR OR GROUND AREA WITHIN THE REQUIRED CLEARANCES SHALL BE LEVEL AND CLEAR.
 THRESHOLDS AT DOORWAYS SHALL NOT EXCEED 3/4" IN HEIGHT FOR EXTERIOR SLIDING DOORS OR 1/2" FOR OTHER TYPES OF DOORS. RAISED THRESHOLDS AND FLOOR LEVEL CHANGES AT ACCESSIBLE DOORWAYS SHALL BE BEVELED WITH A SLOPE NO GREATER THAN 1:2.
 DOORWAYS SHALL HAVE A MINIMUM CLEAR OPENING OF 32" WITH THE DOOR OPEN 90°, MEASURED BETWEEN THE FACE OF THE DOOR AND THE OPPOSITE STOP. OPENINGS MORE THAN 24" IN DEPTH SHALL MAINTAIN 32" MIN CLEARANCE.
RAMP NOTES
 THE CLEAR SPACE BETWEEN THE HANDRAIL AND THE WALL SHALL BE MIN 1-1/2" CLEAR.
 GRIPPING SURFACES SHALL BE CONTINUOUS AND UNOBSTRUCTED.
 ENDS OF HANDRAILS SHALL BE EITHER ROUNDED OR RETURNED SMOOTHLY TO FLOOR, WALL, OR POST.
 HANDRAILS SHALL NOT ROTATE WITHIN THEIR FITTINGS.
 THE CROSS SLOPE OF RAMP SURFACES SHALL BE NO GREATER THAN 1:50.
 OUTDOOR RAMPS AND THEIR APPROACHES SHALL BE DESIGNED SO THAT WATER WILL NOT ACCUMULATE ON WALKING SURFACES.
 RAMPS AND LANDINGS WITH DROP-OFFS SHALL HAVE CURBS, WALLS, RAILINGS, OR PROJECTING SURFACES THAT PREVENT PEOPLE FROM SLIPPING OFF THE RAMP. CURBS SHALL BE A MINIMUM OF 2" HIGH.
 HANDRAILS SHALL BE PROVIDED ALONG BOTH SIDES OF RAMP SEGMENTS. THE INSIDE HANDRAIL ON SWITCHBACK OR DOGLEG RAMPS SHALL ALWAYS BE CONTINUOUS.
 RAMP LANDINGS SHALL BE AT LEAST AS WIDE AS THE RAMP RUN LEADING TO IT.

GENERAL SITE ACCESSIBILITY NOTES

1. ACCESSIBILITY SIGNAGE SHALL COMPLY WITH ADAAG 2010 GUIDELINES SECTION 703.7.
2. SEE SHEET 0003 FOR ACCESSIBLE RAMP AND HANDRAIL DESIGNS WHERE THEY OCCUR.
3. ALL ACCESSIBLE PARKING SPACES AND AISLES THAT SERVE THEM SHALL COMPLY WITH ADAAG 2010 GUIDELINES SECTIONS 502.4 AND 502.5.
4. OPENINGS IN GROUND SURFACES SHALL COMPLY WITH ADAAG 2010 GUIDELINES SECTION 302.3.
5. VERTICAL CHANGES IN ELEVATION ALONG ALL ACCESSIBLE ROUTES SHALL COMPLY WITH ADAAG 2010 GUIDELINES SECTIONS 303.2, 303.3, AND 303.4.
6. PARKING SPACES DESIGNATED AS ACCESSIBLE SHALL INCLUDE THE INTERNATIONAL SYMBOL OF ACCESSIBILITY COMPLYING WITH ADAAG 2010 GUIDELINES SECTIONS 703.7.2.1 AND 502.6.
7. ALL ACCESSIBLE PARKING SPACES AND ROUTES SERVING THEM SHALL HAVE A ROUGH, SLIP-RESISTANT SURFACE OR LIGHT BROOM FINISH IN COMPLIANCE WITH ADAAG 2010 GUIDELINES SECTION 502.1.



1 MOUNTING HEIGHTS
SCALE: 1/4" = 1'-0"

DAMMON ENGINEERING, INC.
 LOUISIANA & MISSISSIPPI
 Chief Engineer: Brian Metch, PE
 554 Old Spanish Trail
 Slidell, LA 70458
 www.dammoneengineering.com
 info@dammoneengineering.com
 PH: 985.649.5832

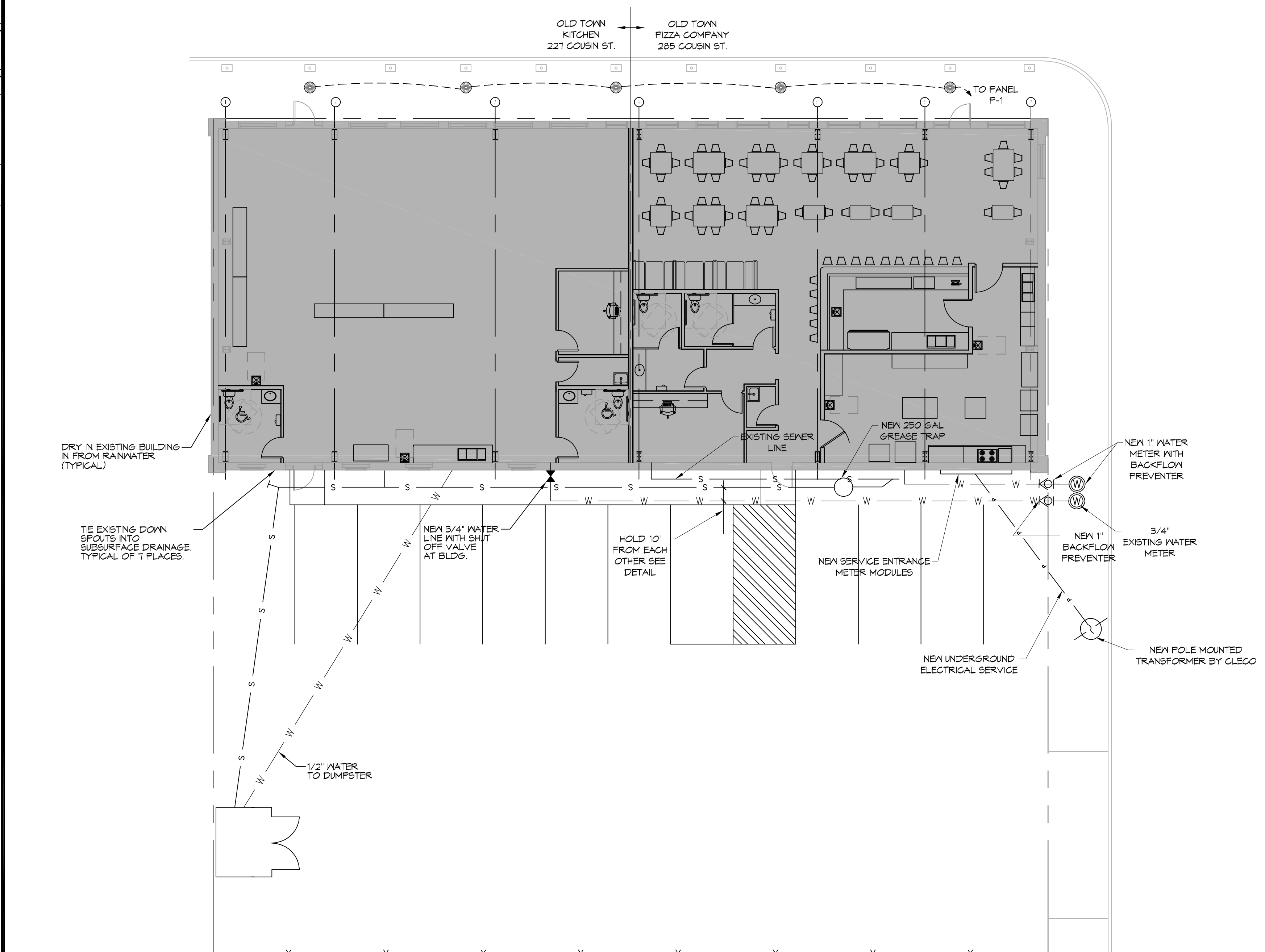
REVISIONS	DATE	DESCRIPTION

SEAL:

 JARED A. SIMONOUX
 REG. NO. 1791
 STATE OF LOUISIANA
 REGISTERED ARCHITECT

NEW PREP FACILITY
 OLD TOWN
 KITCHEN
 SHEET TITLE:
 ACCESSIBILITY INFORMATION
 DRAWING NUMBER:
G102
 SHEET No: 2 of 4

FILE NAME: J:_MKT\1045\1045.dwg User: brian.mistich Date: 11/21/17 11:21:17 AM



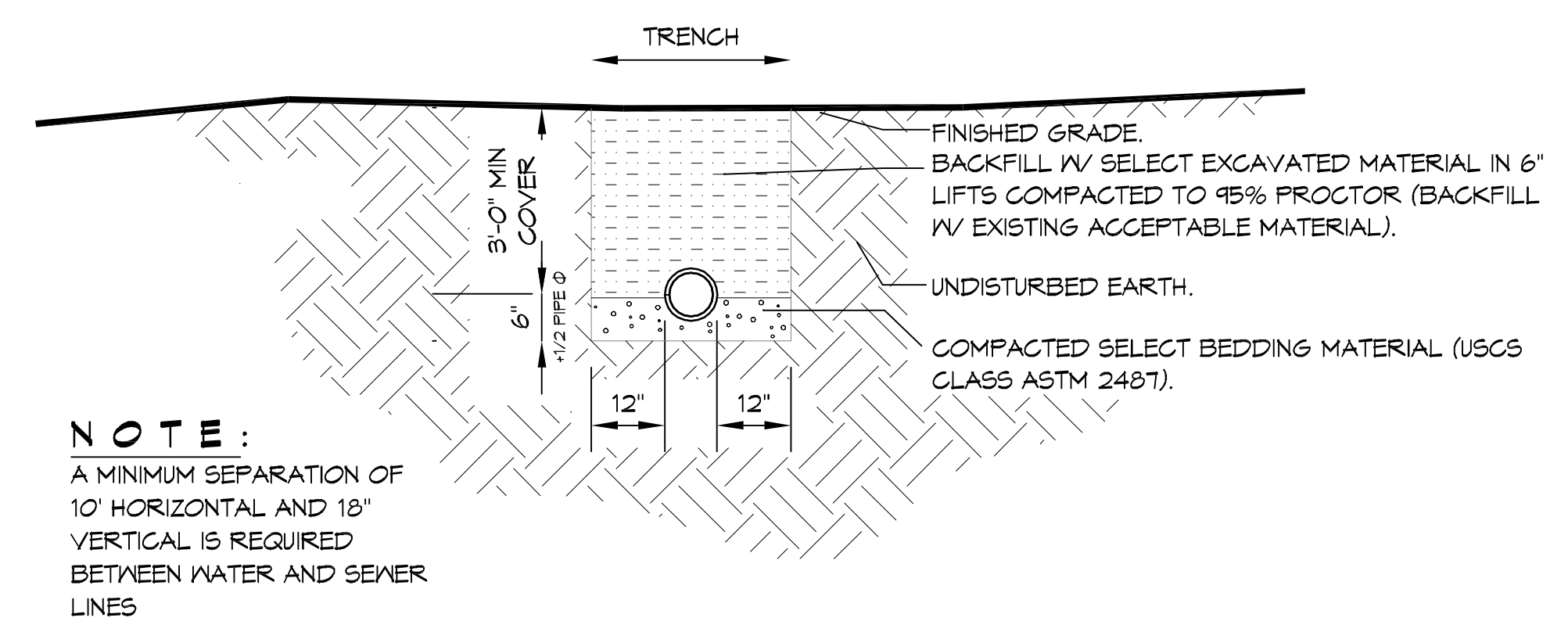
1 SITE UTILITY PLAN
 SCALE: 1"=10'-0"

GENERAL SITE NOTES

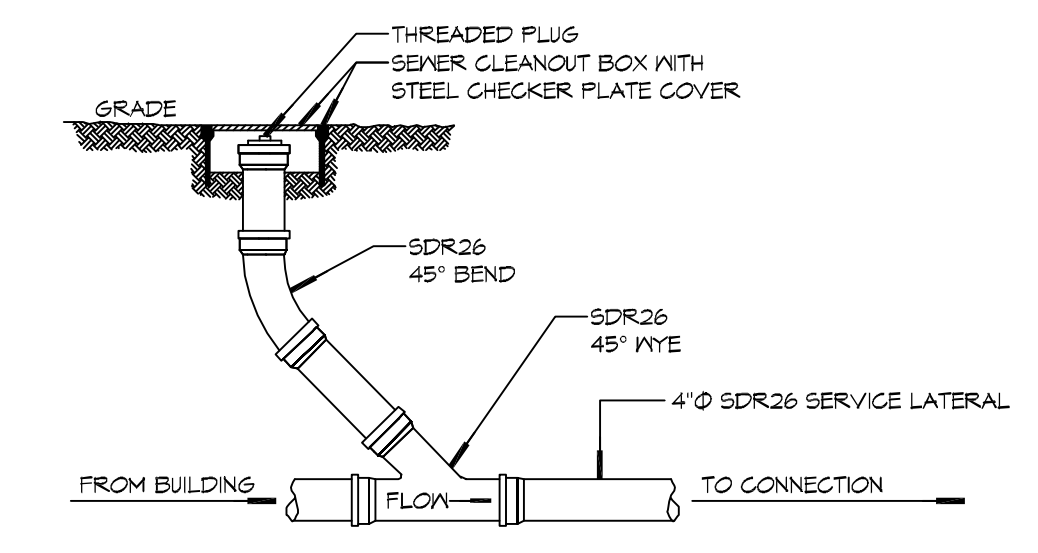
1. PROVIDE ALL LABOR, MATERIAL AND EQUIPMENT FOR A COMPLETE OPERATING SYSTEM. CONTRACTOR IS TO FIELD VERIFY ALL EXISTING UTILITY LOCATIONS, ELEVATIONS, AND INVERTS PRIOR TO COMMENCING ANY WORK. CONTRACTOR SHALL PAY NECESSARY FEES FOR THE UTILITIES CONNECTIONS.
2. CONTRACTOR TO BE RESPONSIBLE TO VERIFY ANY INVERTS AND SET NEW INVERTS OF SEWAGE AND DRAINAGE PIPES.
3. ALL WORK AND MATERIAL TO COMPLY STRICTLY TO THE LATEST LOCAL CITY PARISH, STATE, AND NATIONAL GOVERNING CODES.
4. SEWAGE LINES 3" AND SMALLER SHALL BE SLOPED 1/4" PER FOOT AND LINES THAT ARE 4" AND LARGER SHALL BE SLOPED 1/8" PER FOOT.
10. CONTRACTOR SHALL CONTACT LOUISIANA ONE CALL PRIOR TO COMMENCEMENT OF SITE EXCAVATION.

SITE UTILITIES LEG

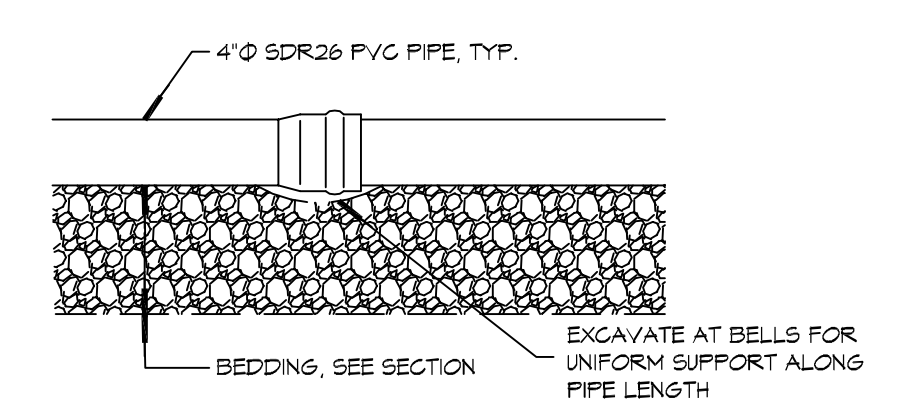
- W — NEW WATER LINE
- S — NEW SEWER LINE
- E — NEW ELECTRICAL LINE



2 DETAIL
 SCALE: N.T.S. SEWER AND WATER SEPARATION



3 DETAIL
 SCALE: N.T.S. SEWER CLEAN OUT



4 DETAIL
 SCALE: N.T.S. TYPICAL PIPE BEDDING

DAMMON ENGINEERING, INC.
 LOUISIANA & MISSISSIPPI
 Chief Engineer: Brian Mistich, PE
 554 Old Spanish Trail
 Slidell, LA 70468
 www.dammonengineering.com
 info@dammonengineering.com
 PH: 985.469.5852

#	DESCRIPTION	REVISIONS	DATE

SEAL:

 BRIAN A. MISTICH
 License No. 30187

NEW PREP FACILITY
 OLD TOWN KITCHEN
 227 COUSIN STREET
 SLIDELL, LA 70468
 JOB No: 2524 | DATE: 11-21-17
 DRAWN BY: CKD | CHECKED BY: CKD

SHEET TITLE:
 SITE UTILITY PLAN
 DRAWING NUMBER:
C102
 SHEET No: 4 of 9

FILE NAME: J:_PROJECTS\1324 - Old Town Kitchen\Design\General\0101.dwg PLOT DATE: 8/15/2017 12:43:33

FINISH SCHEDULE

ROOM NAME	FLOOR	BASE	WALL	CEILING	REMARKS
OFFICE	VCT	VINYL	5/8" GYP BD	8' 5/8" GYP BD	
RESTROOMS	CERAMIC	CERAMIC	5/8" GYP BD	8' 5/8" GYP BD	MOISTURE RESISTANT
PREP AREA	CERAMIC	VINYL	FURLINS	FURLINS	OPEN CEILING

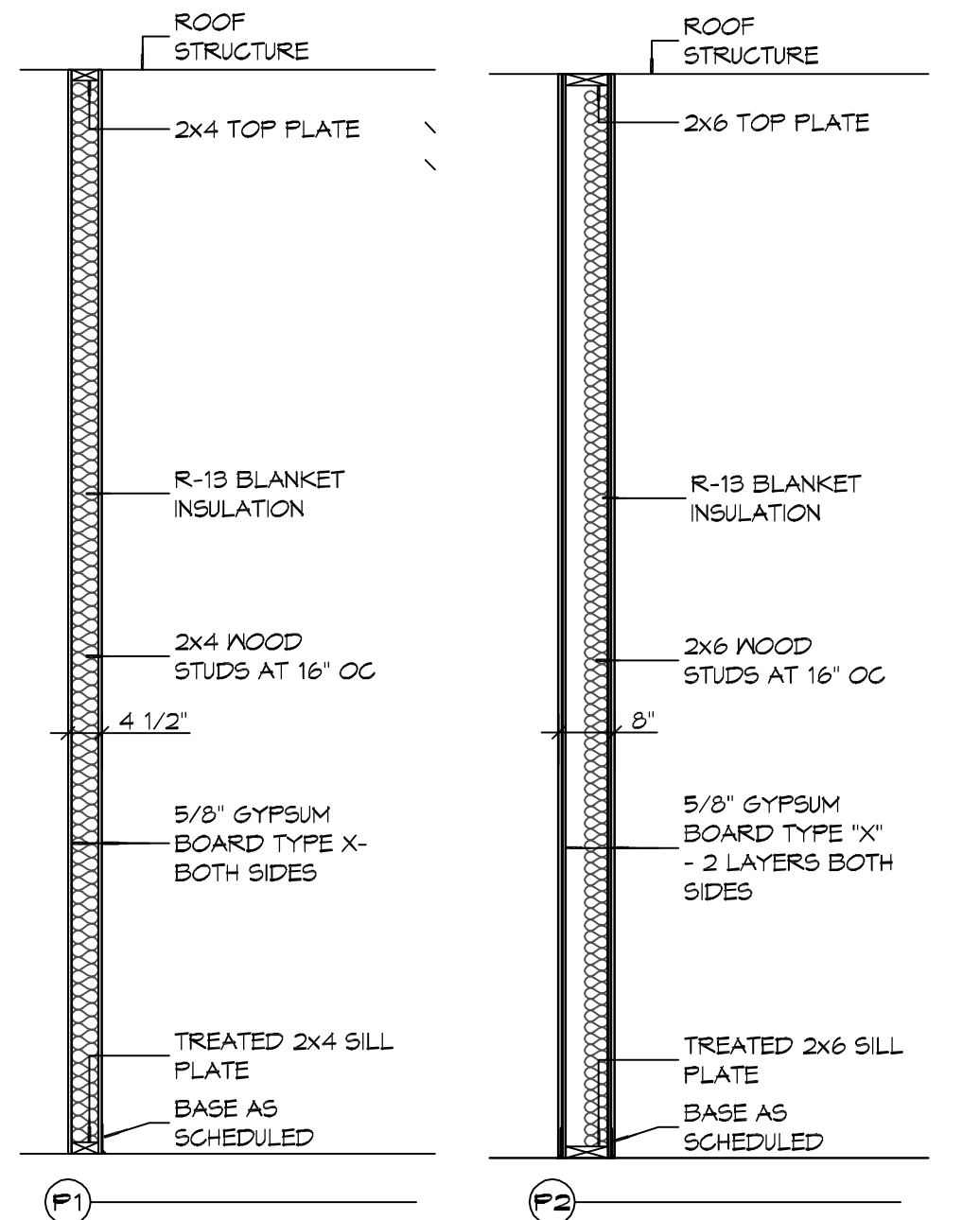
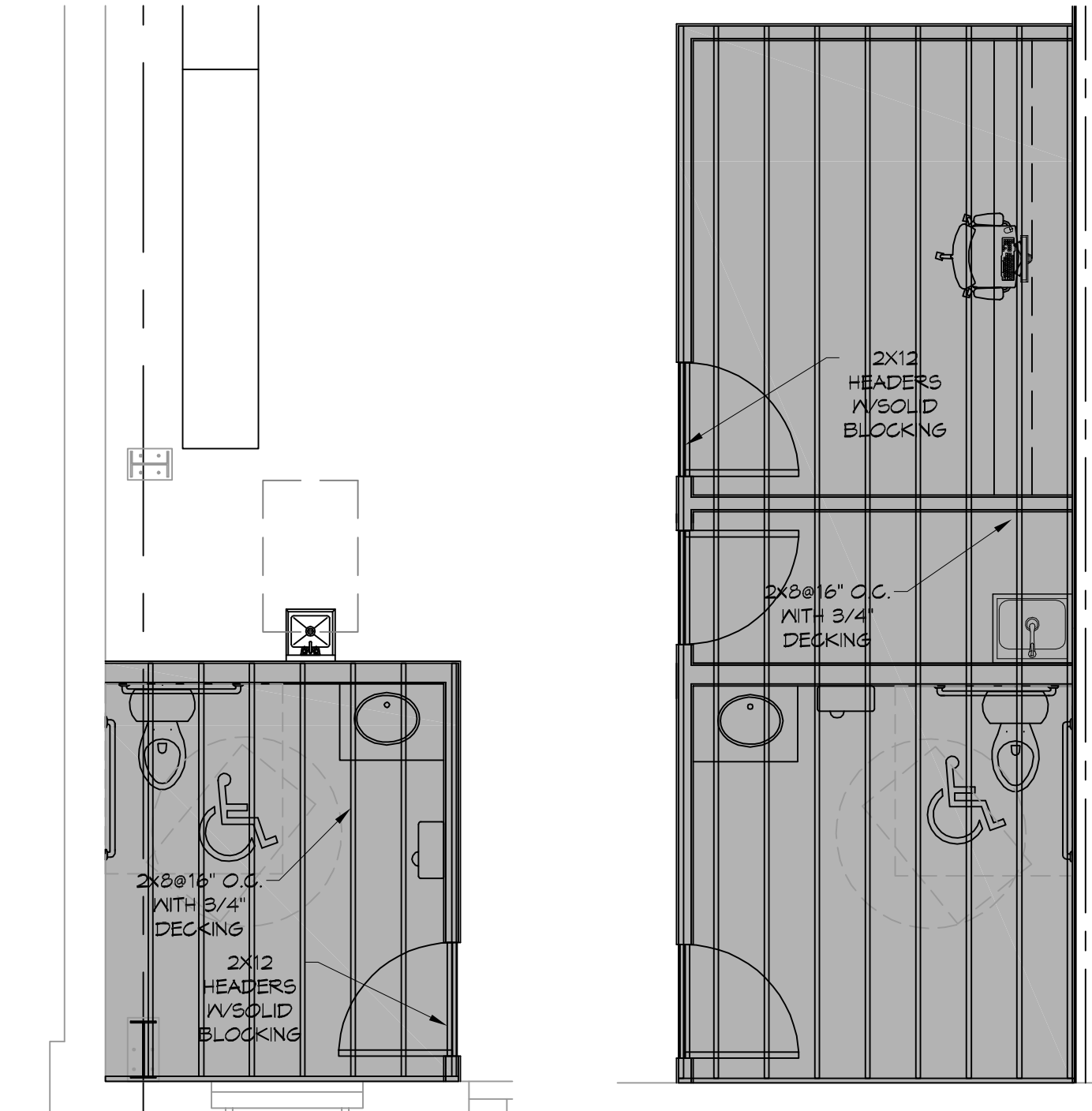
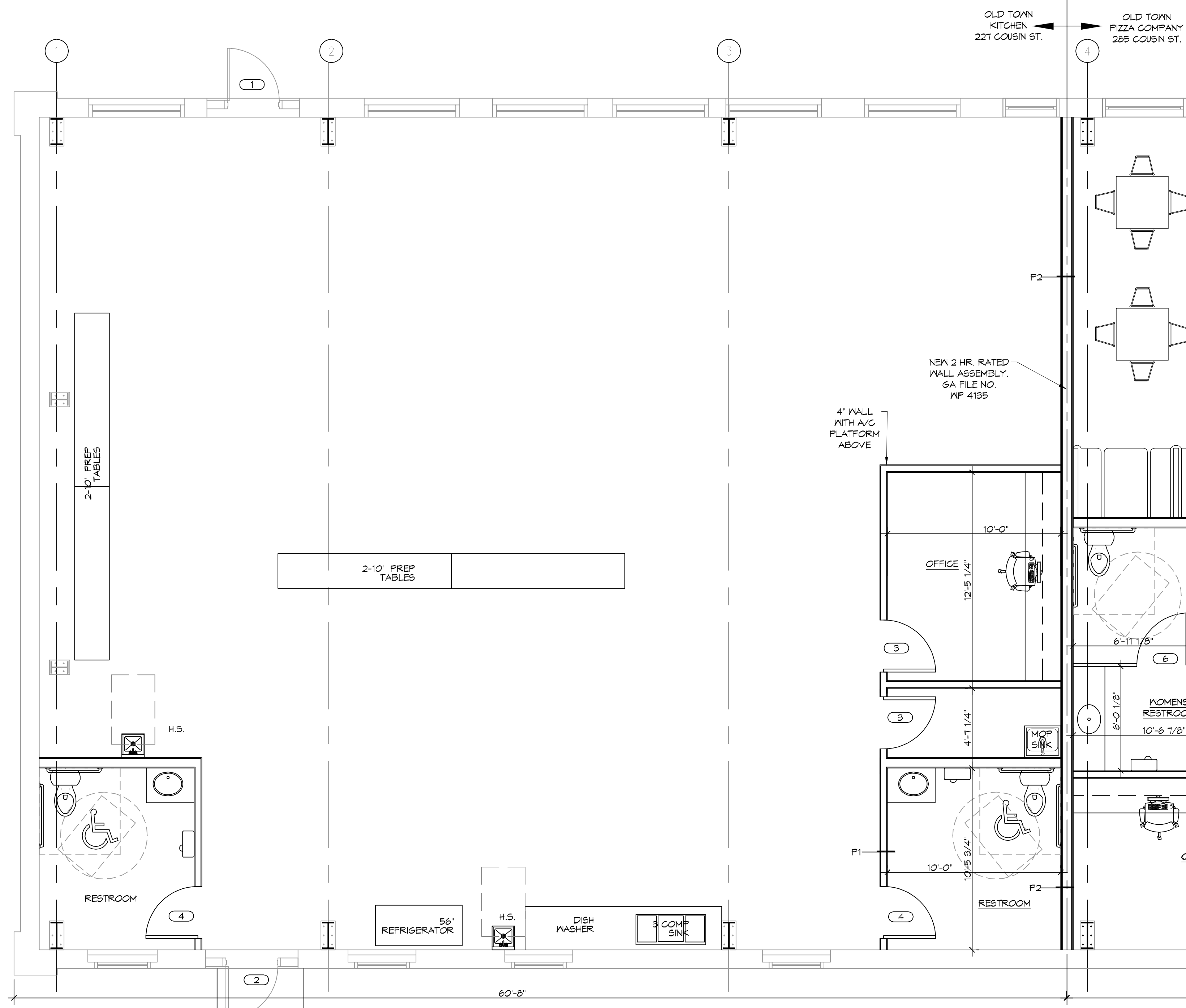
- NOTE:
- TOP EXISTING FOUNDATION WITH 2" LIGHTWEIGHT CONCRETE. CONCRETE MIX SHALL HAVE A MINIMUM COMPRESSIVE STRENGTH OF 3000 PSI AT 28 DAYS. CONCRETE MIX SHALL BE IN ACCORDANCE WITH ACI-318.
 - DRILL 5/8" HOLES INTO EXISTING SLAB WITH A MAXIMUM SPACING OF 36" O.C.
 - USE WAF 6x6 D2.RND2.9 WHEN CONCRETE THICKNESS IS GREATER THAN 2" BUT LESS THAN 4" AND 6x6 D6x6 WHEN CONCRETE IS GREATER THAN 4". ALL CONVENTIONAL REINFORCING STEEL SHALL MEET ASTM-A615 (GRADE 60).
 - INSTALL ONE LAYER OF POLYETHYLENE VAPOR BARRIER PLACED UNDER ALL CONCRETE. VAPOR RETARDER TO BE MINIMUM 15 MIL THICKNESS; ASTM E 1745 CLASS A, PERMEANCE LESS THAN 0.01 PERMS, EQUAL TO STEGO INDUSTRIES STEGO WRAP, ECOSHIELD-E 15 MIL BY EPRO, OR IRONBAR 15 BY FLATIRON FILMS. PROVIDE APPROPRIATE ACCESSORIES FOR A COMPLETE SYSTEM.

DOOR SCHEDULE

MK	WIDTH	HEIGHT	THK	DOOR MAT	FRAME MAT	FR	REMARKS
1	3'-0"	6'-8"	1-3/4"	METAL	STEEL	NR	EXISTING TO REMAIN, CLOSURE, WEATHER STRIP.
2	3'-0"	6'-8"	1-3/4"	H. M.	H.M.	NR	EXISTING TO REMAIN, NEW DOOR CLOSURE, WEATHER STRIP, AND KEYPAD HANDLED LOCK
3	3'-0"	6'-8"	1-3/4"	SOLID CORE	WOOD	NR	WITH HANDLE TYPE LEVER, PRIVACY LOCK
4	3'-0"	6'-8"	1-3/4"	SOLID WOOD	WOOD	NR	WITH DOOR CLOSURE, HANDLE TYPE LEVER, PRIVACY LOCK

GENERAL FLOORPLAN NOTES

- MEDICAL GAS AND MEDICAL GAS INFRASTRUCTURE WILL NOT BE PROVIDED FOR THIS PROJECT.
- INSULATION AND INSULATION ASSEMBLIES SHALL MEET THE REQUIREMENTS OF IBC 2012 SECTION 719.
 - CONCEALED INSULATION SHALL HAVE A FLAME SPREAD OF 0-25 AND SMOKE DEVELOPED INDEX OF 0-450, EXCEPT THAT IN COMBUSTIBLE (WOOD FRAME) CONSTRUCTION.
 - FACING SHALL COMPLY WITH IBC 2012.
- ALL MATERIALS SHALL BE NEW AND UL LISTED.
- NO WORK SHALL BE CONCEALED UNTIL APPROVED BY LOCAL INSPECTORS.
- CONSTRUCTION SHALL COMPLY WITH ALL PARISH, STATE, AND LOCAL CODES.
- CONTRACTOR TO GUARANTEE WORK FOR ONE YEAR FROM DATE OF SUBSTANTIAL COMPLETION.
- CONTRACTOR SHALL FURNISH WATER AND POWER FROM EXISTING SOURCES.
- EXTERIOR CAULKING SHALL BE THICK CAULK.
- PAINT SHALL BE SHERWIN WILLIAMS OR EQUIVALENT AND APPROPRIATE FOR THE SUBSTRATE TO WHICH IT IS APPLIED AS RECOMMENDED BY PAINT MANUFACTURER. ALL WORK TO RECEIVE THREE COATS (ONE PRIMER COAT, TWO FINISH COATS) UNLESS OTHERWISE RECOMMENDED BY PAINT MANUFACTURER. COLORS TO BE SELECTED BY OWNER.
- PROVIDE CLEANUP ON A REGULAR BASIS. NO TRASH SHALL BE STORED INSIDE BUILDING PREMISES.
- ALL BATT INSULATION SHALL HAVE A CLASS "A" (0-25) FLAME SPREAD IN COMPLIANCE WITH IBC 2012.
- USE 2x6 STUDS, OR TWO 2x4 STAGGERED STUDS WITH 2x6 SILL PLATE AT ALL WALLS WHERE 4" PIPE IS INDICATED. SEE PLUMBING RISER DIAGRAM FOR PIPE SIZE.
- PROVIDE GALVANIZED METAL PAN WITH DRAIN AT ALL WATER HEATERS.
- ALL FLOORING SHALL MEET OR EXCEED ADA GUIDELINES REQUIREMENTS FOR SLIP RESISTANCE.
- INTERIOR LOCKS ON DOORS IN MEANS OF EGRESS SHALL NOT REQUIRE THE USE OF A KEY, SPECIAL KNOWLEDGE, OR SPECIAL DEVICE TO OPEN IN THE DIRECTION OF EGRESS. ALL DOORS SHALL HAVE LEVER TYPE HANDLES.
- INTERIOR WALLS AND CEILINGS SHALL HAVE A FLAME SPREAD OF 0-200 AND A SMOKE DEVELOPMENT RATING OF 0-450.
- ALL WORK SHALL COMPLY WITH THE LATEST EDITION OF ALL LOCAL, STATE, AND NATIONAL CODES COVERING THE TYPE OF WORK BEING PERFORMED.
- PROVIDE PORTABLE FIRE EXTINGUISHERS IN ACCORDANCE WITH NFPA 101 SEE APPENDIX "E" OF NFPA 101 FOR DISTRIBUTION OF EXTINGUISHERS.
- ALL FIRE WALLS SHALL EXTEND TIGHT TO ROOF DECK AND BE SEALED WITH AN APPROVED FIRE CAULK.
- ALL ELECTRICAL, MECHANICAL, AND PLUMBING MATERIALS PENETRATING FIRE WALLS SHALL BE FIRE CAULKED. (PENETRATIONS THROUGH RATED CONSTRUCTION SHALL BE SEALED WITH A MATERIAL CAPABLE OF PREVENTING THE PASSAGE OF FLAMES AND HOT GASES WHEN TESTED IN ACCORDANCE WITH ASTM-E814.)
- SERVICE COUNTERS SHALL HAVE AN ACCESSIBLE WRITING SURFACE IN COMPLIANCE WITH ADAAG ACCESSIBILITY GUIDELINES 2010, SECTION 902.3.



2PARTITION TYPES
SCALE: SCALE = 1/2" = 1'-0"

GA FILE NO. WP 4135 GENERIC

BASE LAYER 5/8" TYPE X GYPSUM WALLBOARD OR GYPSUM VENEER BASE APPLIED AT RIGHT ANGLES TO EACH SIDE OF 2x4 WOOD STUDS 24" O.C. WITH 6D COATED NAILS, 1 1/2" LONG, 0.085" SHANK, 1/2" HEADS, 24" O.C. FACE LAYER 5/8" TYPE X GYPSUM WALLBOARD OR GYPSUM VENEER BASE APPLIED AT RIGHT ANGLES TO EACH SIDE WITH 8D COATED NAILS, 2 3/8" LONG, 0.110" SHANK 1/2" HEADS, 8" O.C.

2 HOUR FIRE 40 TO 44 STC SOUND



JOINTS STAGGERED 24" EACH LAYER AND SIDE. SOUND TESTED WITH STUDS 16" O.C. AND WITH NAILS FOR BASE LAYER SPACED 6" O.C. (LOAD BEARING)

THICKNESS: 6 1/8"
APPROX. WEIGHT: 1.2 PSF
FIRE TEST: FM WP 360, 9-27-74
SOUND TEST: NGC 2363, 4-1-70

3TWO HOUR RATED WALL

SCALE: SCALE = 1/2" = 1'-0"

1FLOOR PLAN
SCALE: 1/4" = 1'-0"

DAMMON ENGINEERING, INC.
LOUISIANA & MISSISSIPPI
Chief Engineer: Brian Mistich, PE
www.dammonengineering.com
554 Old Spanish Trail
Slidell, LA 70458
info@dammonengineering.com
PH: 985.649.9832

#	DESCRIPTION	DATE

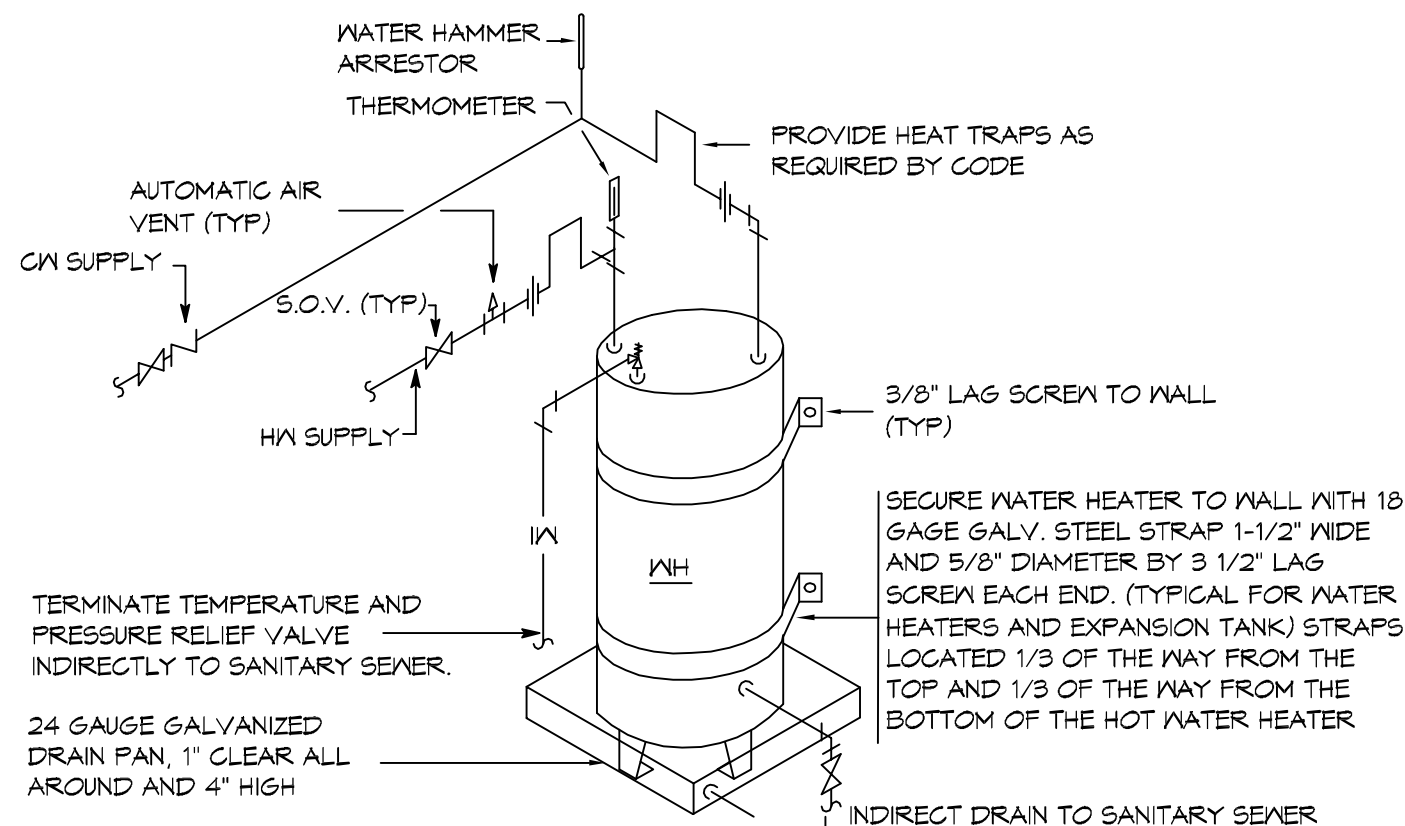
SEAL:

NEW PREP FACILITY
OLD TOWN KITCHEN
227 COUSIN STREET
SLIDELL, LA 70458
JOB No: 2524 DATE: 11-21-17
DRAWN BY: C-KD CHECKED BY: C-KD

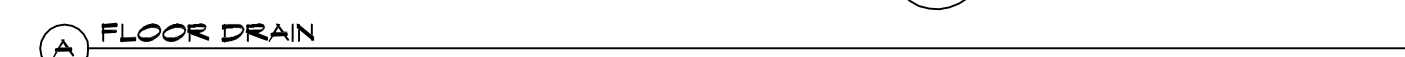
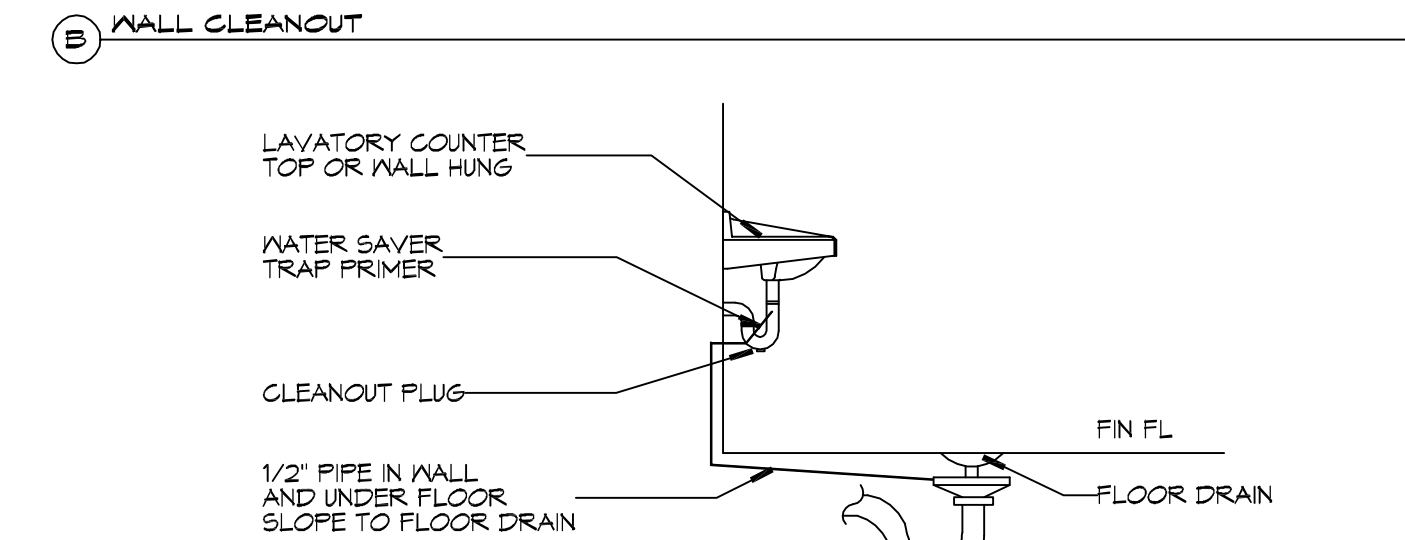
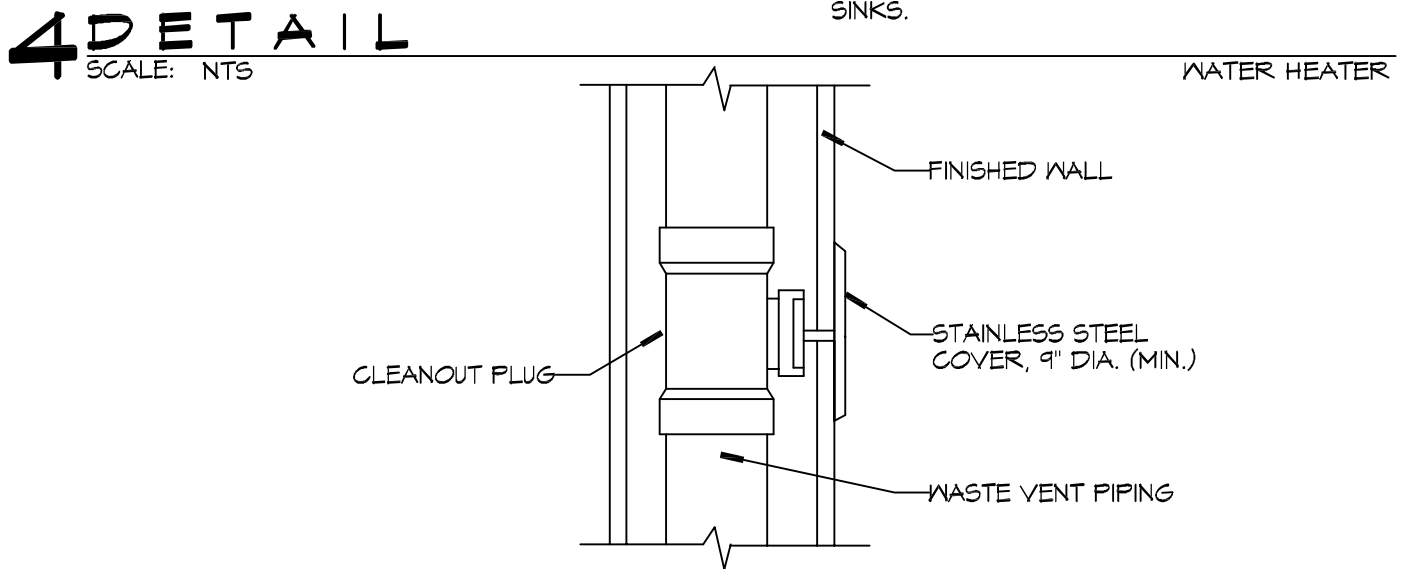
SHEET TITLE:
FLOOR PLAN

DRAWING NUMBER:
A101

SHEET No: 5 of 9

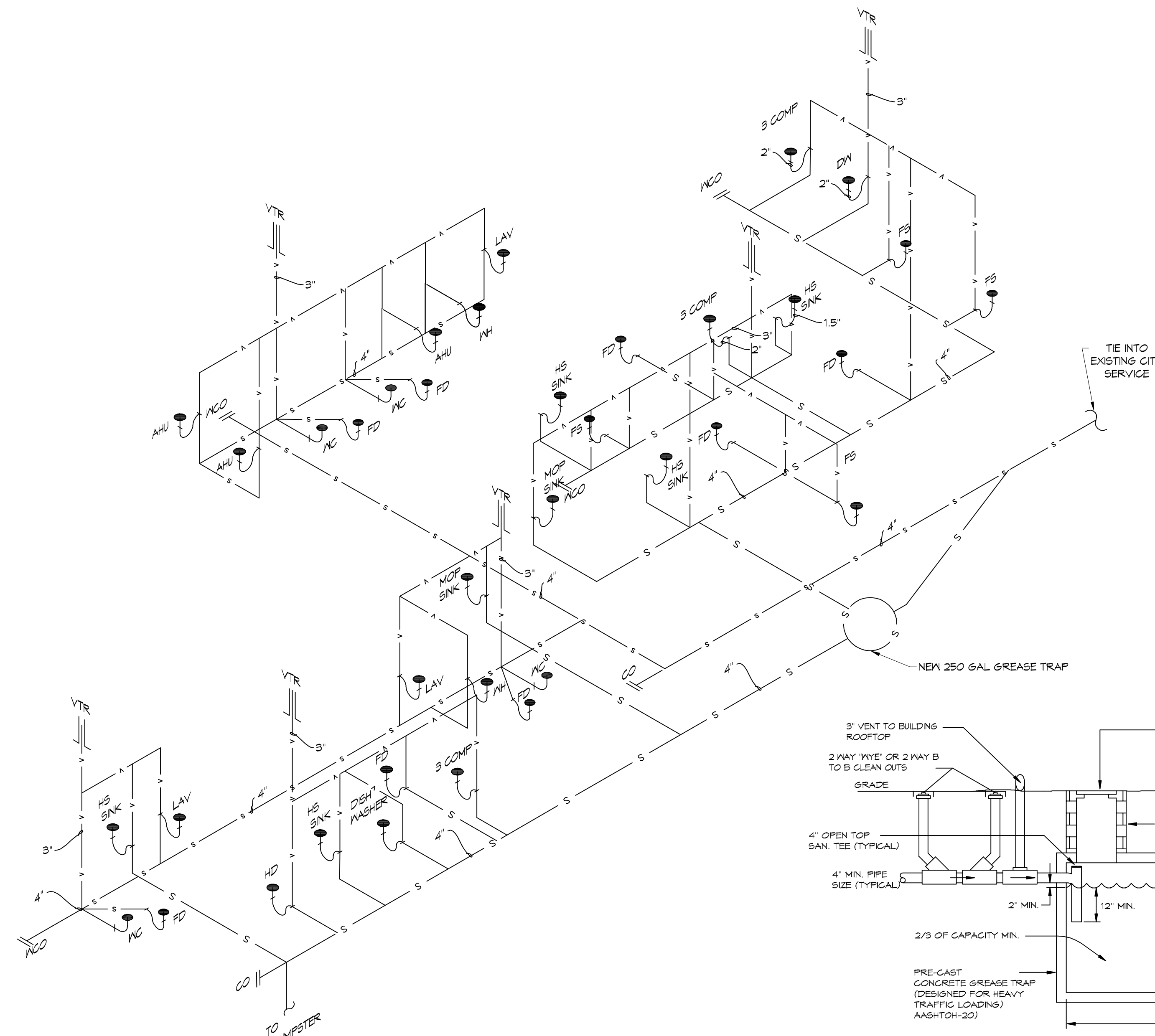


- NOTES:**
1. A WATERTIGHT PAN WITH 1" DRAIN SHALL BE PROVIDED UNDER WATER HEATER. DRAIN DIRECTLY OUTSIDE.
 2. WATER HEATER TEMPERATURE TO BE SET AT 140° F. PROVIDE TEMPERING VALVE (SET @ 110° F) FOR ALL HAND SINKS.



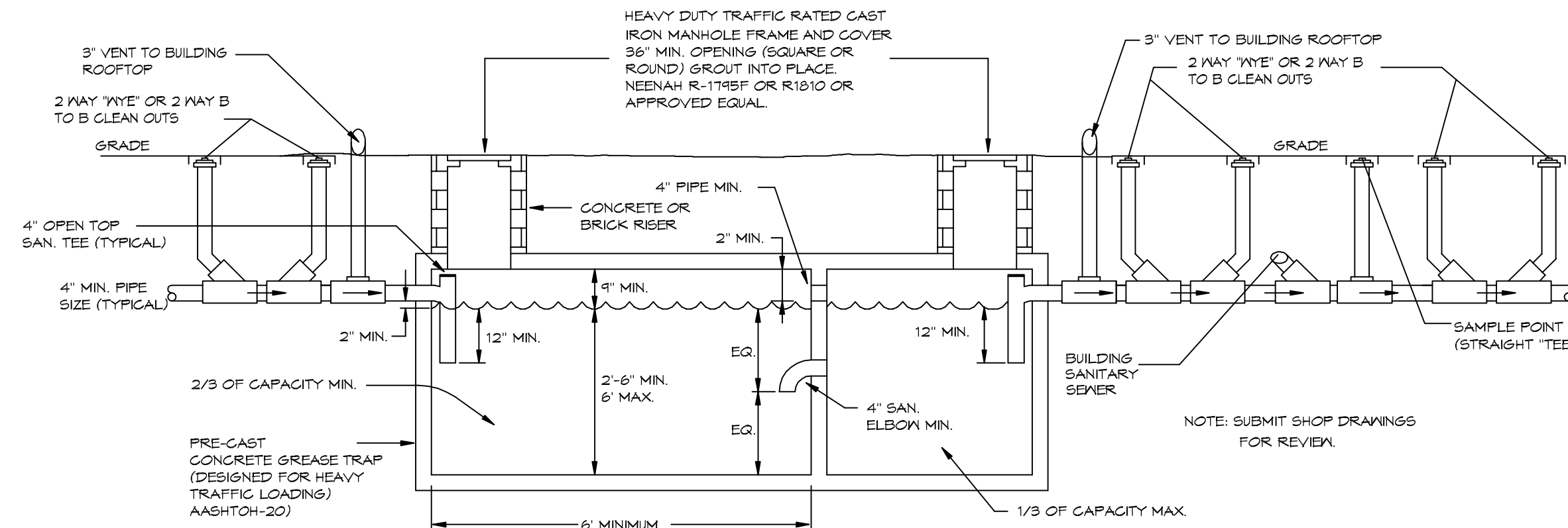
2 TYPICAL DETAILS
SCALE: NTS

MISCELLANEOUS PLUMBING



3 PLUMBING RISER DIAGRAM
SCALE: NTS

5 TYPICAL DETAILS
SCALE: NTS



LEGEND

SYMBOL	DESCRIPTION
—S—S—	SANITARY SEWER
—V—V—	VENT PIPE
●FD	FLOOR DRAIN
—CO	LINE CLEAN OUT
—WCO	WALL CLEAN OUT

MINIMUM PLUMBING FIXTURE COUNT

IBC 2012 OCCUPANT LOAD TABLE 1004.1.2

ASSEMBLY WITHOUT FIXED SEATS - UNCONCENTRATED (TABLES AND CHAIRS) - 15 NET	1154 S.F. / 15 = 77
KITCHENS, COMMERCIAL - 200 GROSS	841 S.F. / 200 = 4.5
OFFICE - Business areas - 100 GROSS	164 S.F. / 100 = 1.7
TOTAL OCCUPANCY PER IBC	83.2

IPC 2012 PARA 403.1.1 FIXTURE CALCULATIONS, TO DETERMINE THE OCCUPANT LOAD OF EACH SEX THE TOTAL OCCUPANT LOAD SHALL BE DIVIDED IN HALF. THEREFORE EACH SEX = 41.6

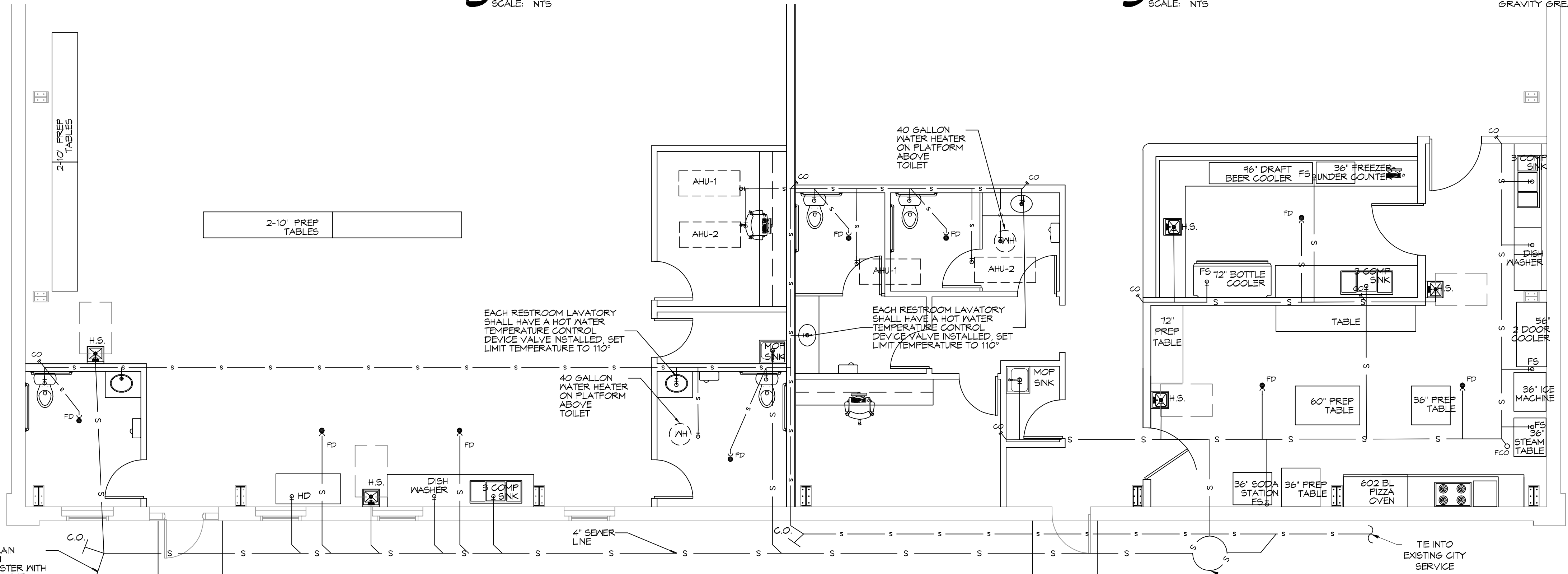
IPC 2012 Table 403.1 - A-2 RESTAURANT - 1 WATER CLOSETS PER 75 OCCUPANTS = 1 MALE AND 1 FEMALE.

MINIMUM SIZE GREASE TRAP

AMENDMENT PART 1 TO IPC 2012, SECTION 1009.3.5

A. THE MINIMUM CAPACITY FOR APPLICATIONS WITHOUT A GARBAGE GRINDER SHALL NOT BE LESS THAN 125 GALLONS BELOW THE STATIC WATER LEVEL. ...WHEN OVER 50 PEOPLE ARE SERVED DURING A SINGLE MEAL PERIOD, THE MINIMUM CAPACITY SHALL BE INCREASED BEYOND 125 GALLONS BASED UPON AT LEAST AN ADDITIONAL 2 1/2 GALLONS PER PERSON BEGINNING WITH THE 51ST PERSON SERVED AND GREATER.

NUMBER OF OCCUPANTS	77
MINIMUM SIZE GREASE TRAP	125 + (2.5 X 77) = 192.5 GAL = 250 GAL; GRAVITY OR HYDROMECHANICAL WITH A FLOW RATE OF 100 GPM.



1 PLUMBING PLAN
SCALE: 3/16"=1'-0"

GENERAL PLUMBING NOTES

1. SEE VENDOR DRAWINGS.
2. PLUMBING LINES SHOWN ARE DRAWN DIAGRAMMATIC IN NATURE AND REPRESENT CONCEPTUAL ROUTING ONLY. CONTRACTOR IS RESPONSIBLE FOR FIELD VERIFICATION OF ALL ACTUAL CONDITIONS.
3. PROVIDE ALL LABOR, MATERIAL, TRANSPORTATION, SUPERVISION, CLEAN-UP SERVICES, AND EQUIPMENT FOR A COMPLETE OPERATING SYSTEM. THE SYSTEM SHALL INCLUDE HOT AND COLD WATER PIPING, SEWER AND VENT PIPING, INSULATION, WATER HEATER, HANGERS, VALVES, SUPPORTS WITHOUT ANY RESTRICTIONS TO VOLUME, CUT AND PATCH AS REQUIRED TO INSTALL PIPES.
4. ALL WORK AND MATERIAL SHALL CONFORM STRICTLY TO THE LATEST LOCAL CITY, PARISH, STATE AND NATIONAL GOVERNING CODES. MUST MEET LA STATE PLUMBING CODE 2013 REQUIREMENTS.
5. CONTRACTOR IS TO FIELD VERIFY ALL EXISTING UTILITY LOCATIONS, ELEVATIONS AND SIZES PRIOR TO COMMENCING ANY WORK. CONTRACTOR SHALL PAY NECESSARY FEES FOR THE UTILITIES CONNECTIONS.
6. CONTRACTOR IS RESPONSIBLE TO VERIFY THE EXISTING INVERTS AND SET NEW INVERTS OF SEWERAGE AND DRAINAGE PIPES.
7. SEWERAGE LINES 3-INCH AND SMALLER SHALL BE SLOPED 1/4" PER FOOT AND LINES 4-INCH AND LARGER SHALL BE 1/8" PER FOOT.
8. TEST ALL PIPING AT REQUIRED PRESSURE.
9. ALL PLUMBING SHALL BE CLOSELY COORDINATED WITH STRUCTURAL, MECHANICAL SYSTEM AND ELECTRICAL SYSTEMS TO INSURE NO TRADES WILL CONFLICT WITH EACH OTHER.
10. DO NOT SCALE DRAWINGS. SEE ARCHITECTURAL DRAWINGS FOR EXACT LOCATIONS OF DOORS, WINDOWS, WALLS, FIXTURES, ETC.
11. ALL WATER MAINS AND PIPING NOT SHOWN FOR CLARITY, ALL LOCATIONS FIELD VERIFIED.
12. DOMESTIC HOT AND COLD WATER PIPING AND FITTINGS UNDER SLAB SHALL BE ASTM B88 COPPER WATER TUBE, TYPE K, SOFT ANNEALED. NO JOINTS SHALL BE ALLOWED UNDER THE SLAB.
13. DOMESTIC WATER PIPING AND FITTINGS ABOVE THE SLAB SHALL BE ASTM B88 COPPER WATER TUBE, TYPE L. HARD DRAWN WITH COPPER PRESSURE TYPE FITTINGS, ANSI B16.22. THE JOINTS SHALL BE SOLDERED TYPE USING ASTM B32, ALLOY GRADE 45A (75-5) SOLDER.
14. SOIL, WASTE, VENT PIPING AND FITTINGS ABOVE THE SLAB SHALL BE SERVICE WEIGHT CAST IRON PIPE WITH BELL AND SPIGOT ENDS AND ONE PIECE NEOPRENE INSERT TYPE GASKET. USE PVC SCHEDULE 40 OR ABS DWV PIPES AND FITTINGS WHERE PERMITTED BY CODE.
15. ALL WATER PIPING AND FITTINGS ABOVE THE FLOOR SHALL BE INSULATED WITH 1/2" THICK FIBERGLASS INSULATION AND JACKET.
16. ALL ELECTRICAL, MECHANICAL AND PLUMBING ELEMENTS PENETRATING FIRE PARTITIONS SHALL BE FIRE CAULKED. (PENETRATIONS THROUGH RATED CONSTRUCTION SHALL BE SEALED WITH A MATERIAL CAPABLE OF PREVENTING THE PASSAGE OF FLAMES AND HOT GASES WHEN TESTED IN ACCORDANCE WITH ASTM-E814.)
17. SEE ROOF PLAN FOR PLUMBING ROOF PENETRATIONS. ROUTE VENT PIPES IN ATTIC AS NECESSARY.
18. ALL VENTS THROUGH ROOF (VTR) SHALL BE LOCATED A MINIMUM OF 10'-0" FROM ANY MECHANICAL OR NATURAL AIR INTAKE.

DAMMON ENGINEERING, INC.
LOUISIANA & MISSISSIPPI

Chief Engineer: Brian Mistich, PE
554 Old Spanish Trail
Slidell, LA 70688
www.dammonengineering.com
info@dammonengineering.com
PH: 985.649.5832

REVISIONS

#	DESCRIPTION	DATE
1	REVISED PLUMBING DIAGRAM	11-13-15

SEAL:

NEW PREP FACILITY
OLD TOWN KITCHEN

DATE: 11-21-17
2524
DRAWN BY: CKD
CHECKED BY: CKD

SHEET TITLE:
PLUMBING PLAN AND PLUMBING RISER DIAGRAM

DRAWING NUMBER:
P101

SHEET No: 6 of 9

FILE NAME: A:\PROJECTS\2024\2224\MECHANICAL\2224-MECHANICAL-FLOOR-PLAN.rvt
 DATE: 11/21/24
 DRAWN BY: BMM
 CHECKED BY: CCK

A/C UNIT SCHEDULE						
TOTAL BTU	ELECTRICAL			COMMENTS		
120,000 BTU (10 TON)	VOLTAGE	MCA	CKT BRKRS	NOTE: ALL A/C TO BE SPLIT-SYSTEM HVAC (TRANE OR EQUAL)		
AHU #1	240V, 3Ø	-	P1, -,-			

AHU UNIT SCHEDULE							
TOTAL BTU	CFM	O.A.	HEAT (KW)	ELECTRICAL			COMMENTS
90,000 BTU (7.5 TON)				VOLTAGE	MCA	CKT BRKRS	NOTE: ALL A/C TO BE SPLIT-SYSTEM HVAC (TRANE OR EQUAL) ALL AHU TO BE SINGLE POINT CONNECTION
AHU #1	3,800	500	12	240V, 3Ø	-	P1, -,-	

DIFFUSER/REGISTER SCHEDULE			
TAG	SERVICE	SIZE	DESCRIPTION
A	SUPPLY	REF. PLAN	12X12 STEEL CONE DIFFUSER, WHITE FINISH WITH VOLUME CONTROL
B	SUPPLY	REF. PLAN	LOUVERED STEEL DIFFUSER/ADJUSTABLE DOUBLE DEFLECTION ALUMINUM FINISH WITH VOLUME CONTROL
C	RETURN	REF. PLAN	LOUVERED FACE SIDEWALL RETURN, WHITE FINISH, ALUMINUM FRAME
D	RETURN	20X8	STEEL DOOR GRILLE, WHITE FINISH, SIGHT PROOF CORE

EXHAUST FAN SCHEDULE					
EXHAUST	LOCATION	CFM	VOLTAGE	TYPE	MANUFACTURER
EF-1	TOILET	90	120	VENT	BROAN OR EQUAL
EF-2	JANITOR	100	120	VENT	BROAN OR EQUAL

GENERAL HVAC NOTES

- CONCEALED DUCTWORK TO BE GALVANIZED SHEET METAL LINED WITH FIBROUS GLASS DUCT LINER, MIN R-6. INSTALLED PER SMACNA STANDARDS.
- EXPOSED DUCTWORK TO BE GALVANIZED SHEET METAL LINED WITH FIBROUS GLASS DUCT LINER, MIN R-6. INSTALLED PER SMACNA STANDARDS.
- ROUND FLEXIBLE DUCT TO BE UL-181, CLASS 1, AIR DUCT MATERIALS. DUCT SIZES SHOWN ARE CLEAR INSIDE DIMENSIONS.
- IN ALL SYSTEMS OVER 2000 CFM AND LESS THAN 15,000 CFM, SMOKE DETECTORS SHALL BE INSTALLED IN ACCORDANCE WITH NFPA 72E IN THE RETURN DUCT DOWNSTREAM OF THE AIR HANDLING UNIT AND ALL FILTERS TO AUTOMATICALLY STOP THE FAN.
- PROVIDE UL LISTED 125°F FIRESTAT IN RETURN AIR OF EACH SYSTEM UNDER 2000 CFM TO SHUT DOWN THE FAN IN THE EVENT OF FIRE.
- PROVIDE UL RATED FIRE DAMPERS WHERE REQUIRED AT ALL DUCT PENETRATIONS OF FIRE-RATED ASSEMBLIES AND WHERE REQUIRED BY CODE, INCLUDING OUTSIDE AIR INTAKES AND EXHAUST FANS.
- CONDENSATE DRAINS TO BE PVC PIPE RUN TO PLUMBERS P-TRAP WITHIN FIVE FEET OF AIR HANDLING UNITS.
- ALL AIR HANDLING SYSTEMS TO BE BALANCED TO ASSURE PROPER AIR FLOWS PER PLANS.
- ALL THERMOSTATS TO BE AUTOMATIC CHANGEOVER WITH HEAT SWITCH.
- EXHAUST FAN SHALL BE CONTROLLED BY A SWITCH ON THE WALL IN THE SAME LOCATION AS LIGHT SWITCH(S). PROVIDE BACK DRAFT DAMPER.
- PROVIDE AND INSTALL WATER PROOF GRILLE VENT IN PROPER ROOF LOCATION FOR PLUMBING FIXTURE EXHAUST.
- ALL SUPPLY AIR VENTS SHALL BE EQUIPPED WITH AIR CONTROL DAMPERS AT THE REGISTER.
- LOCATE OUTDOOR UNITS AS SHOWN ON ARCHITECTURAL DRAWINGS.
- REFRIGERANT LINES SHALL BE SIZED BY UNIT MANUFACTURER AND INSTALLED ACCORDING TO MANUFACTURER'S INSTRUCTIONS.
- FRESH AIR SHALL BE SUPPLIED TO EACH AIR HANDLER THROUGH EXTERIOR WALL DUCT SUPPLIED WITH A CONTROL DAMPER.
- ALL ELECTRICAL, MECHANICAL, AND PLUMBING PENETRATING FIRE WALLS SHALL BE FIRE CAULKED. (PENETRATIONS THROUGH RATED CONSTRUCTION SHALL BE SEALED WITH A MATERIAL CAPABLE OF PREVENTING THE PASSAGE OF FLAMES AND HOT GASES WHEN TESTED IN ACCORDANCE WITH ASTM-E814).
- ALL MECHANICAL SYMBOLS ARE DRAWN DIAGRAMMATICALLY. CONTRACTOR TO VERIFY WITH OWNER LOCATIONS OF VENTS, DAMPERS, REGISTERS, ETC.
- FLEXIBLE DUCTWORK LENGTH NOT TO EXCEED 12'-0".
- REFER TO REFLECTED CEILING PLAN FOR FINAL GRILLE AND DIFFUSER LOCATIONS AND COORDINATE AS REQUIRED.
- FINAL LOCATION OF TEMPERATURE CONTROLS TO BE COORDINATED WITH OWNER AT JOB SITE.
- PROVIDE AND INSTALL SMOKE DETECTORS AS APPROVED BY LOCAL A.H.J.S. PLACE NEAR R/A AND S/A OPENINGS OF AHU AND PROVIDE, WITH ACCESS PANEL, WIRING BY ELECTRICAL CONTRACTOR.
- FRESH AIR INTAKES ARE REQUIRED TO HAVE MOTORIZED OR GRAVITY DAMPERS TO SHUT OFF WHEN SYSTEM IS NOT RUNNING.
- PROVIDE BIRD SCREENS AT ALL EXTERIOR MECHANICAL PENETRATIONS.
- COORDINATE WALL MOUNTED THERMOSTAT LOCATIONS WITH ALL OWNER FURNISHED ITEMS EITHER WALL MOUNTED OR FLOOR MOUNTED AGAINST PARTITIONS. REFER TO ARCHITECTURAL DRAWINGS.
- SEE ROOF PLAN FOR ALL ROOF PENETRATIONS.
- PROVIDE MIN 18 GA GALVANIZED SHEET METAL TO BLANK-OFF GABLE VENTS WHERE INTAKE/EXHAUST DUCTS OCCUR.

DAMMON ENGINEERING, INC.
 LOUISIANA & MISSISSIPPI
 Chief Engineer: Brian A. Mistich, PE
 554 Old Spanish Trail
 Slidell, LA 70688
 www.dammonengineering.com
 info@dammonengineering.com
 PH: 985.649.9832

#	DESCRIPTION	DATE

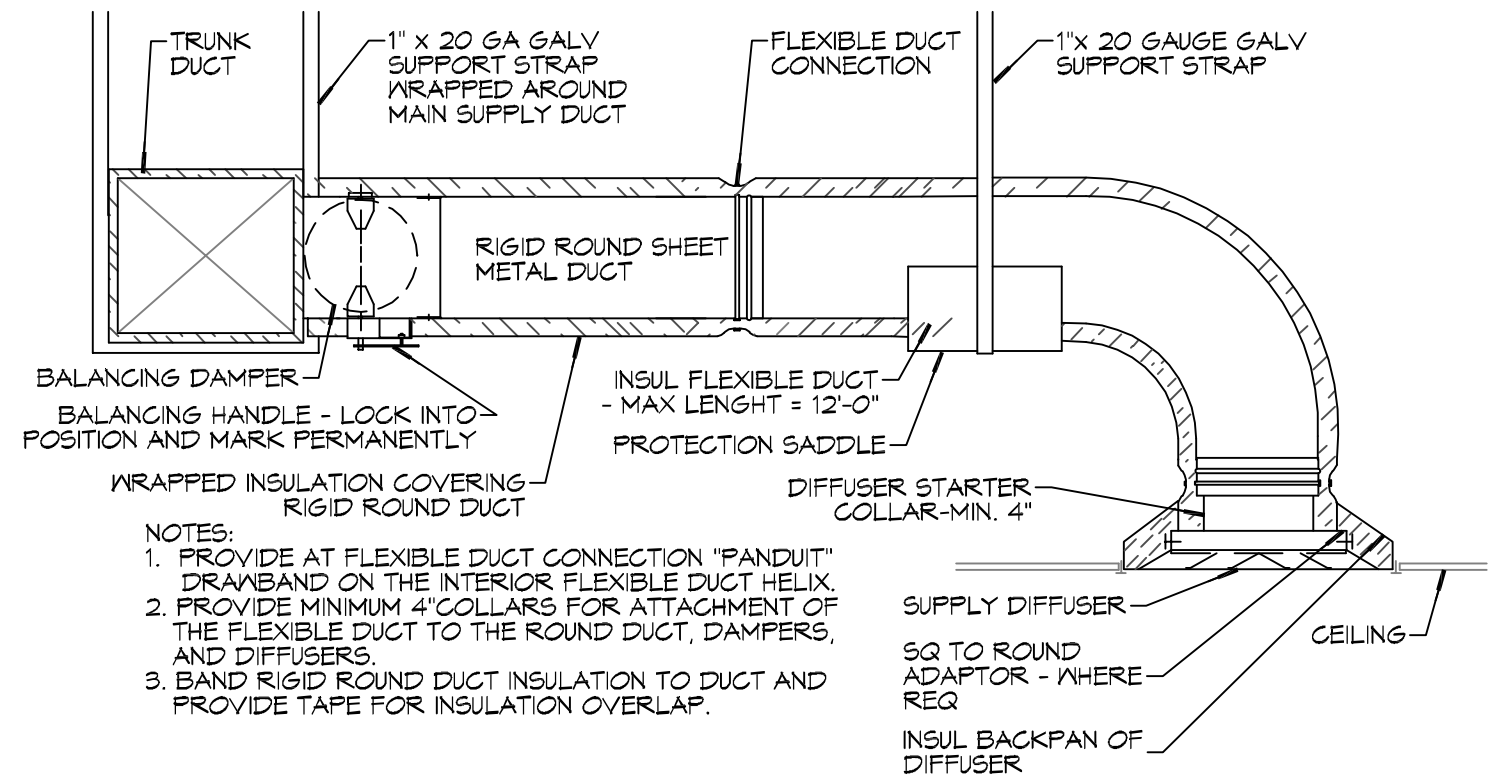
SEAL:

 BRIAN A. MISTICH
 License No. 30187
 PROFESSIONAL ENGINEER

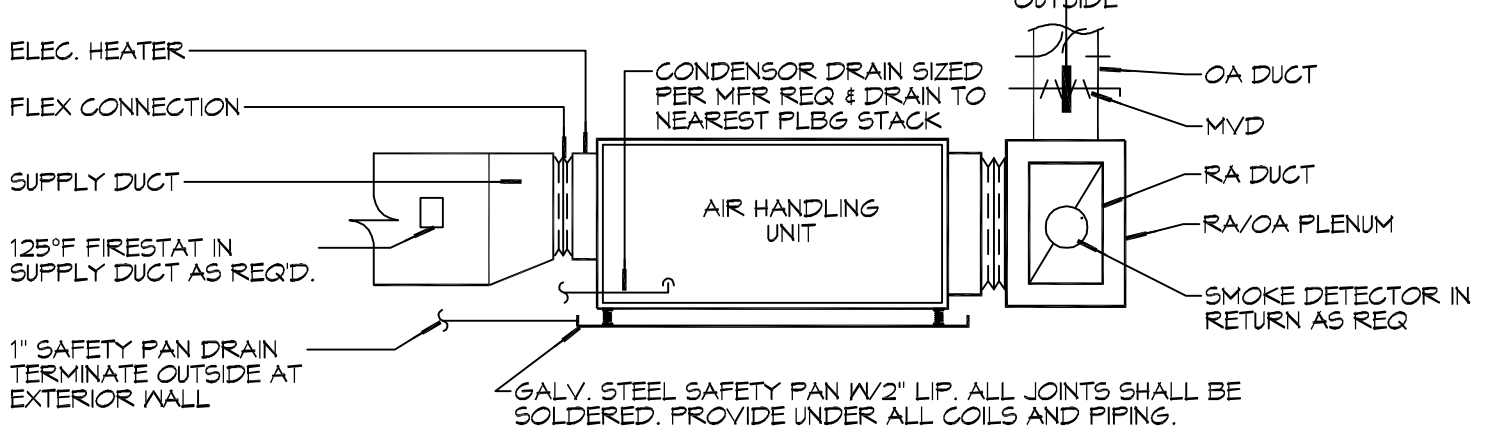
NEW PREP FACILITY
 OLD TOWN KITCHEN
 221 COUSEN STREET
 SLIDELL, LA 70469
 JOB No: 2224 DATE: 11-21-24
 DRAWN BY: BMM
 CHECKED BY: CCK

SHEET TITLE:
 MECHANICAL FLOOR PLAN,
 SCHEDULES AND DETAILS
 DRAWING NUMBER:
M101

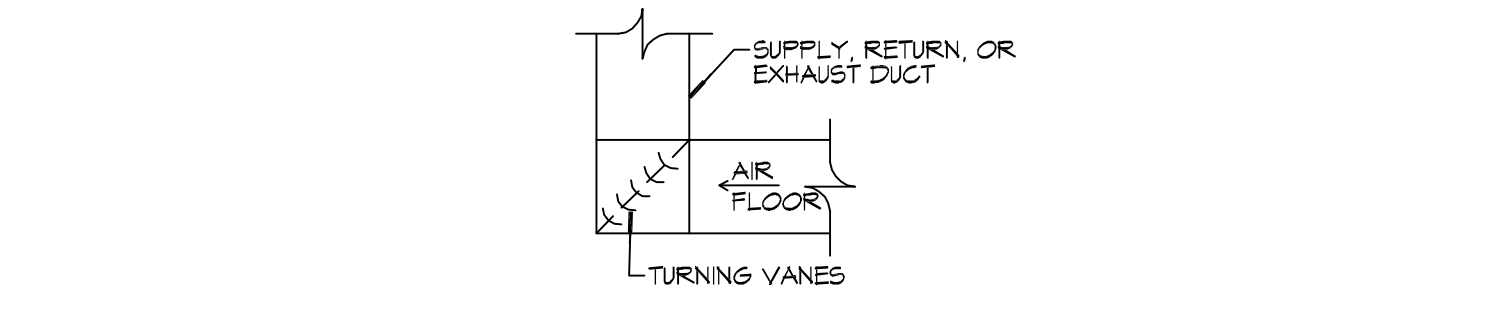
SHEET No: 7 of 9



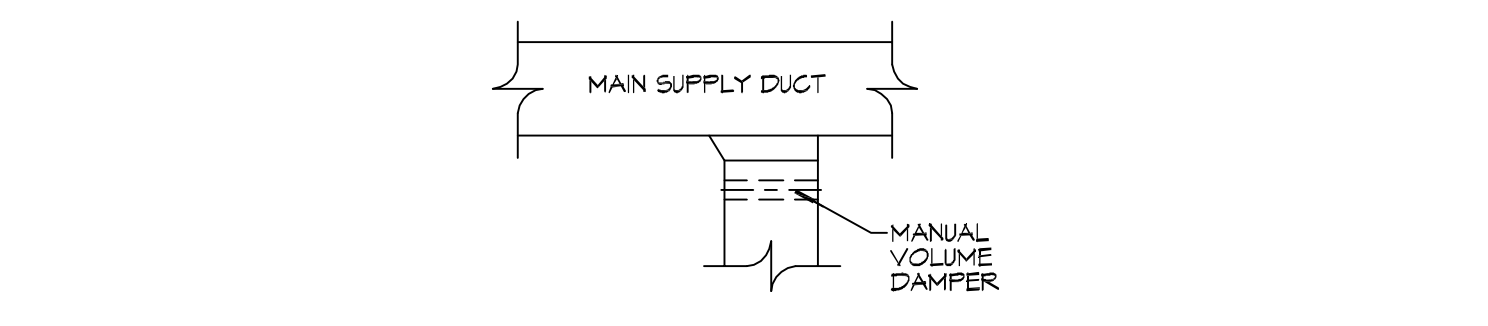
F DIFFUSER CONNECTION DETAIL - FLEX DUCT



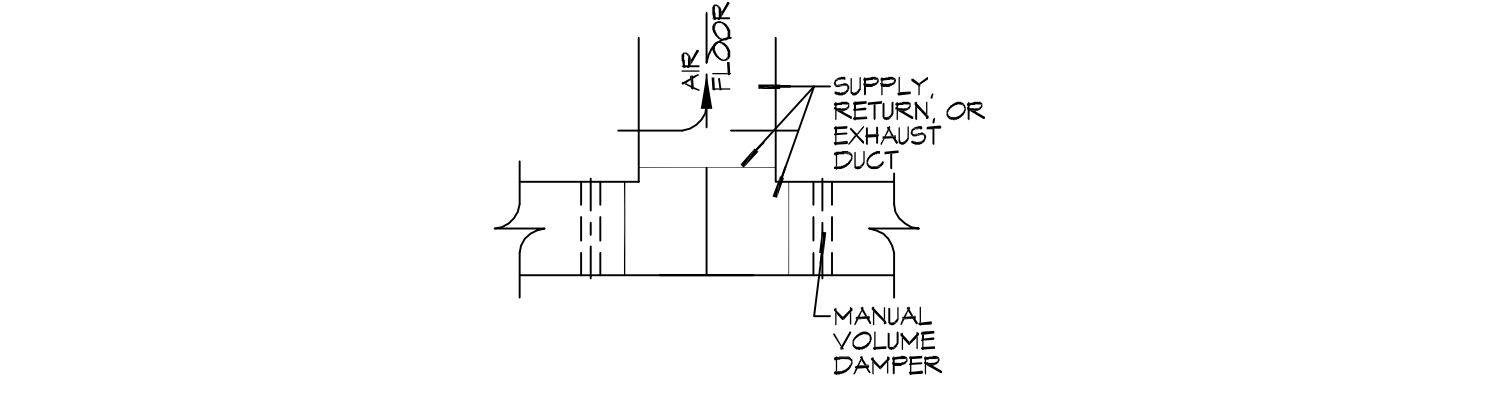
E TYPICAL HORIZONTAL AHU DETAIL



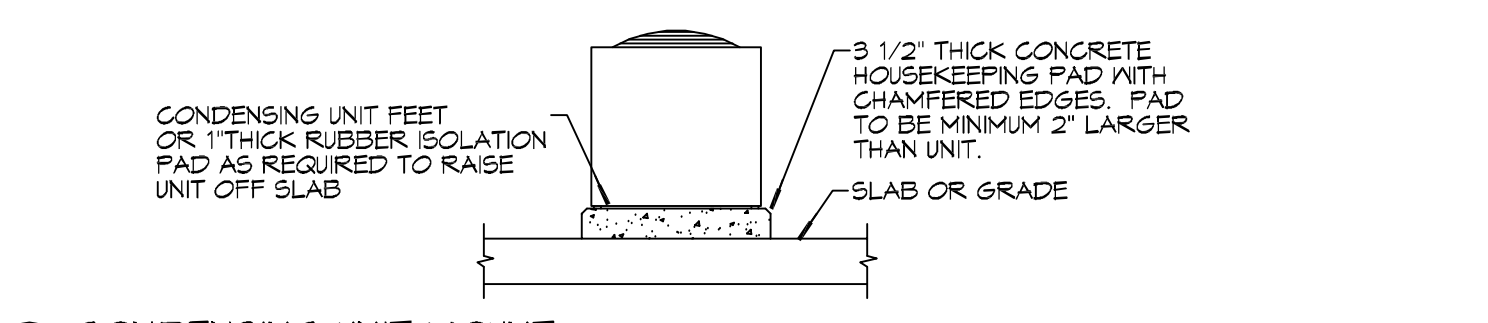
D SQUARE ELBOW DETAIL



C SUPPLY DUCT TAKE-OFF DETAIL

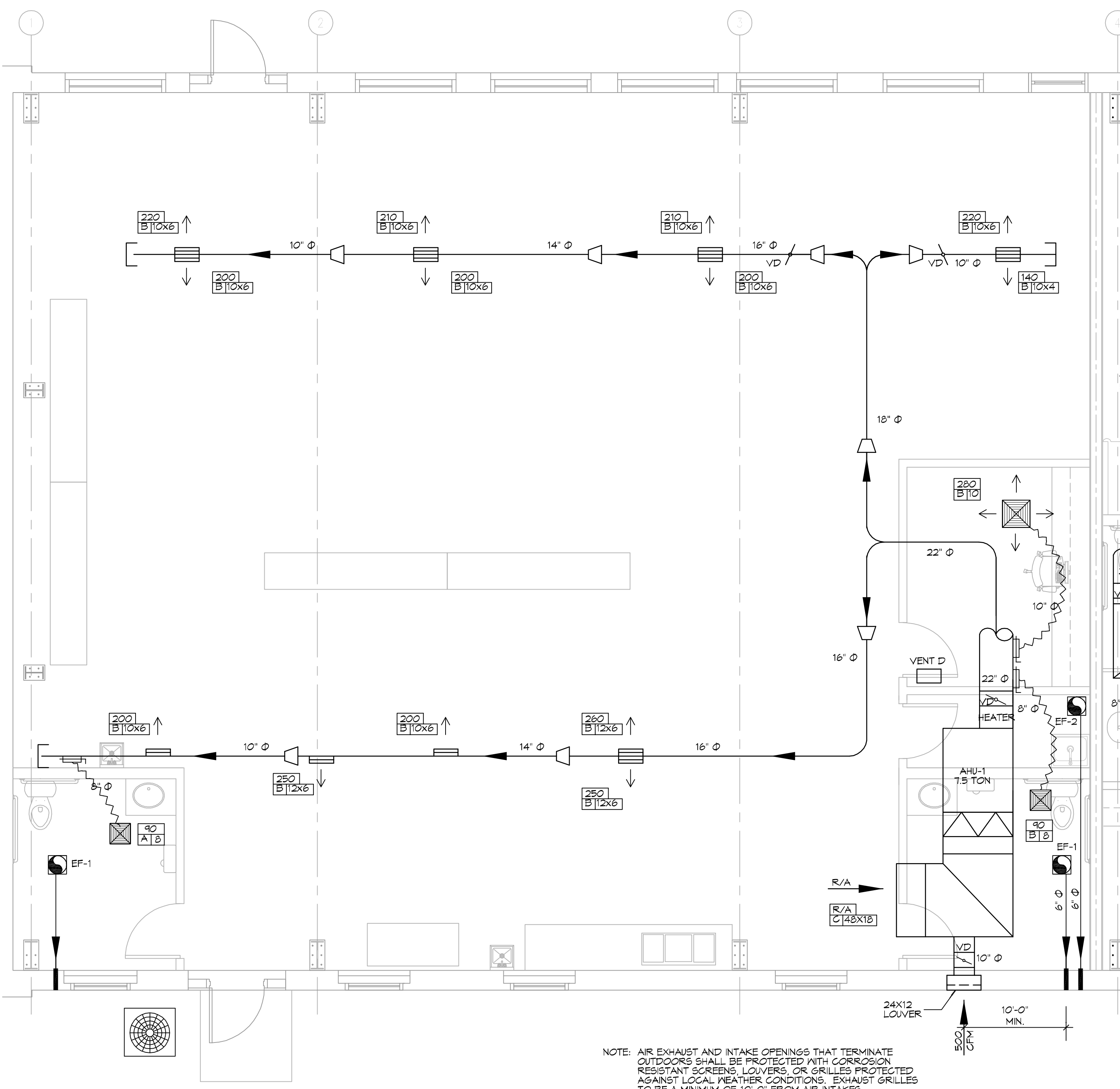


B DUCT SPLITTER DET



A CONDENSING UNIT MOUNT

2 DETAILS
 SCALE: NTS



NOTE: AIR EXHAUST AND INTAKE OPENINGS THAT TERMINATE OUTDOORS SHALL BE PROTECTED WITH CORROSION RESISTANT SCREENS, LOUVERS, OR GRILLES PROTECTED AGAINST LOCAL WEATHER CONDITIONS. EXHAUST GRILLES TO BE A MINIMUM OF 10'-0" FROM AIR INTAKES.

1 MECHANICAL FLOOR PLAN
 SCALE: 1/4"=1'-0"

LEGEND

- SUPPLY AIR GRILLE
- RETURN AIR GRILLE
- EXHAUST FAN
- THERMOSTAT
- SUPPLY AIR DUCT
- RETURN AIR DUCT
- DAMPER CONTROL
- ROUND FLEX DUCT, MAX. LENGTH 12'-0", MIN. R-6. PROVIDE MAN. DAMPER AT DIFFUSER CONNECTIONS. DUCT SIZE AS FOLLOWS:
 250 CFM TO 350 CFM = 9"
 200 CFM TO 250 CFM = 8"
 150 CFM TO 200 CFM = 7"
 100 CFM TO 150 CFM = 6"

