

- TOILETS:**
 KOHLER : 46051 FOR ADA TOILET W/FLUSH VALVE
 KOHLER : 46053 FOR NON ADA TOILET W/FLUSH VALVE
- SINKS:**
 KOHLER : K-2030-O ADA WITH LEVER HANDLE
- URINALS :** K-5016-ET-O WALL MOUNTED W/FLUSH VALVE
- PLUS ALL ACCESSORIES FOR A COMPLETE INSTALLATION.**
FIELD VERIFY PRIOR TO ORDERING.

ACCESSIBILITY NOTES

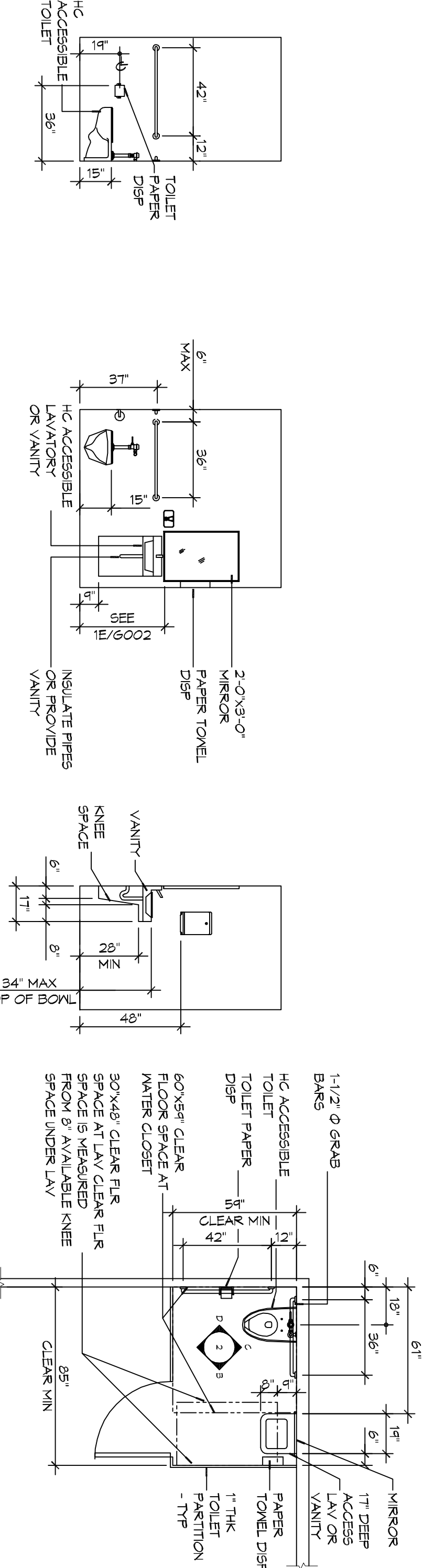
DOOR CLEARANCE NOTES
 ALL DOORS SHALL COMPLY WITH THE CLEARANCES FOR FRONT APPROACHES.
 DOOR HARDWARE SHALL BE LEVER TYPE.
 MAX DOOR OPENING FORCE:
 INTERIOR HINGED DOORS: 5 LBF
 EXTERIOR HINGED DOORS: 8.5 LBF
 SLIDING OR FOLDING DOORS: 5 LBF

HARDWARE REQUIRED FOR ACCESSIBLE DOOR PASSAGE SHALL BE MOUNTED NO HIGHER THAN 48" AND NOT LESS THAN 54" ABOVE FINISHED FLOOR OR GROUND AREA WITHIN THE REQUIRED CLEARANCES SHALL BE LEVEL AND CLEAR.

DOORWAYS SHALL HAVE A MINIMUM CLEAR OPENING OF 32" WITH THE DOOR OPEN 90° MEASURED BETWEEN THE FACE OF THE DOOR AND THE OPPOSITE STOP OPENINGS MORE THAN 24" IN DEPTH SHALL MAINTAIN 32" MIN CLEARANCE

1 MENS RESTROOM
 SCALE: 1/2" = 1'-0"

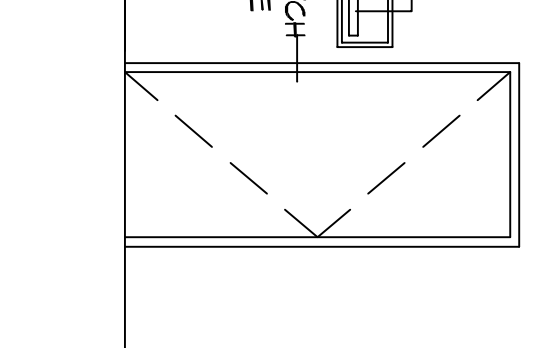
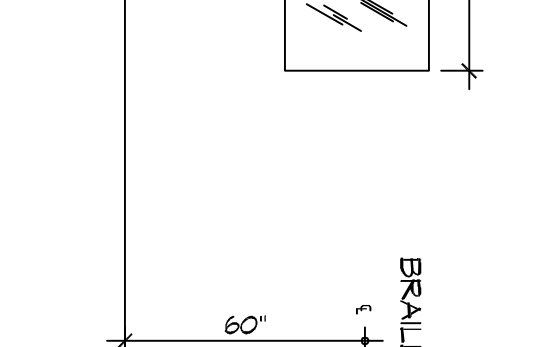
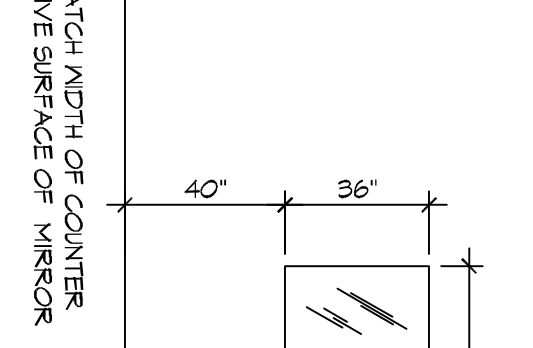
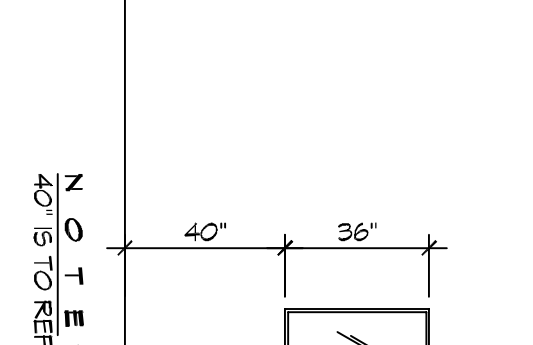
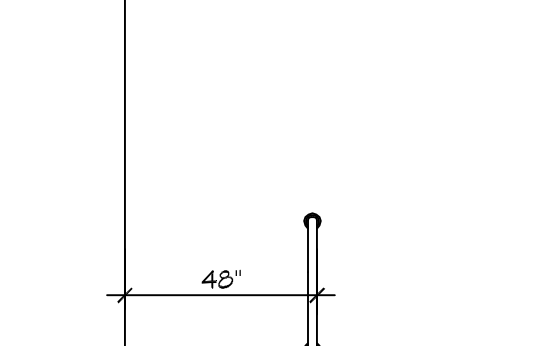
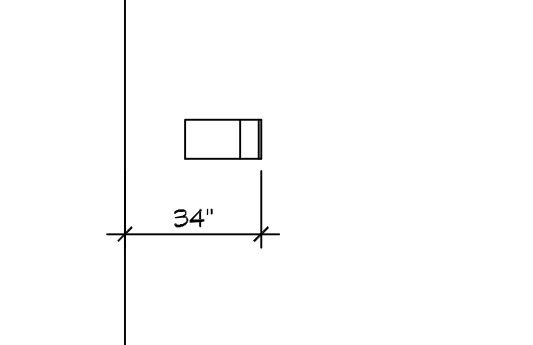
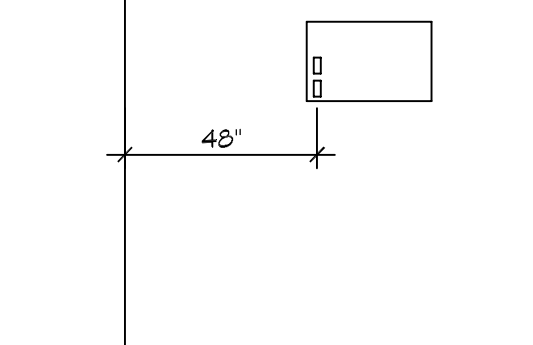
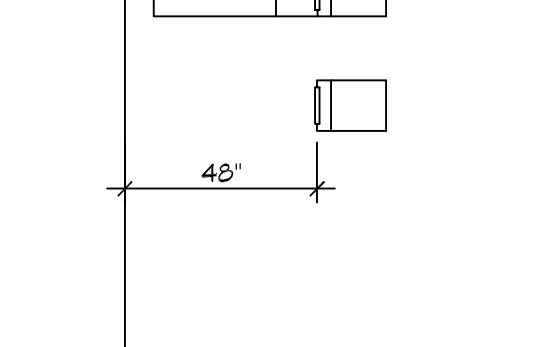
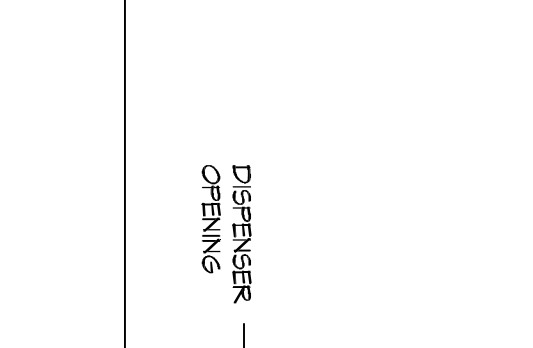
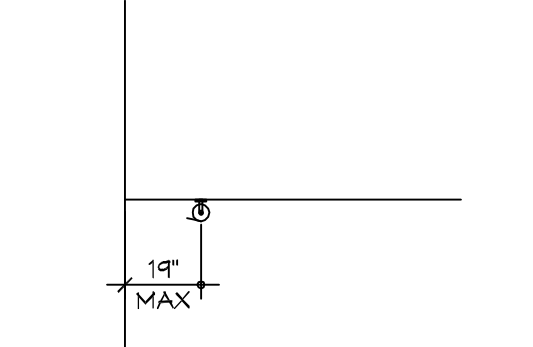
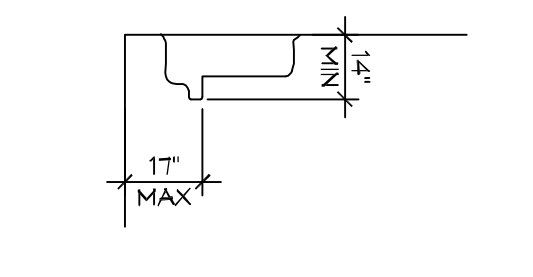
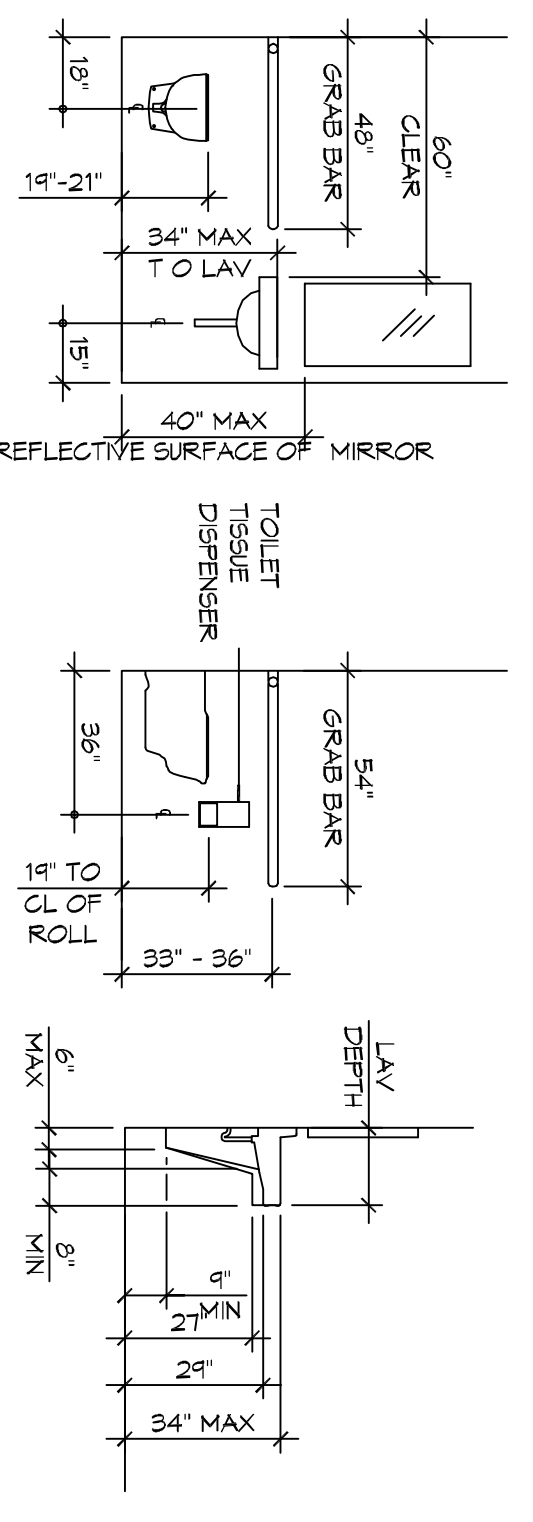
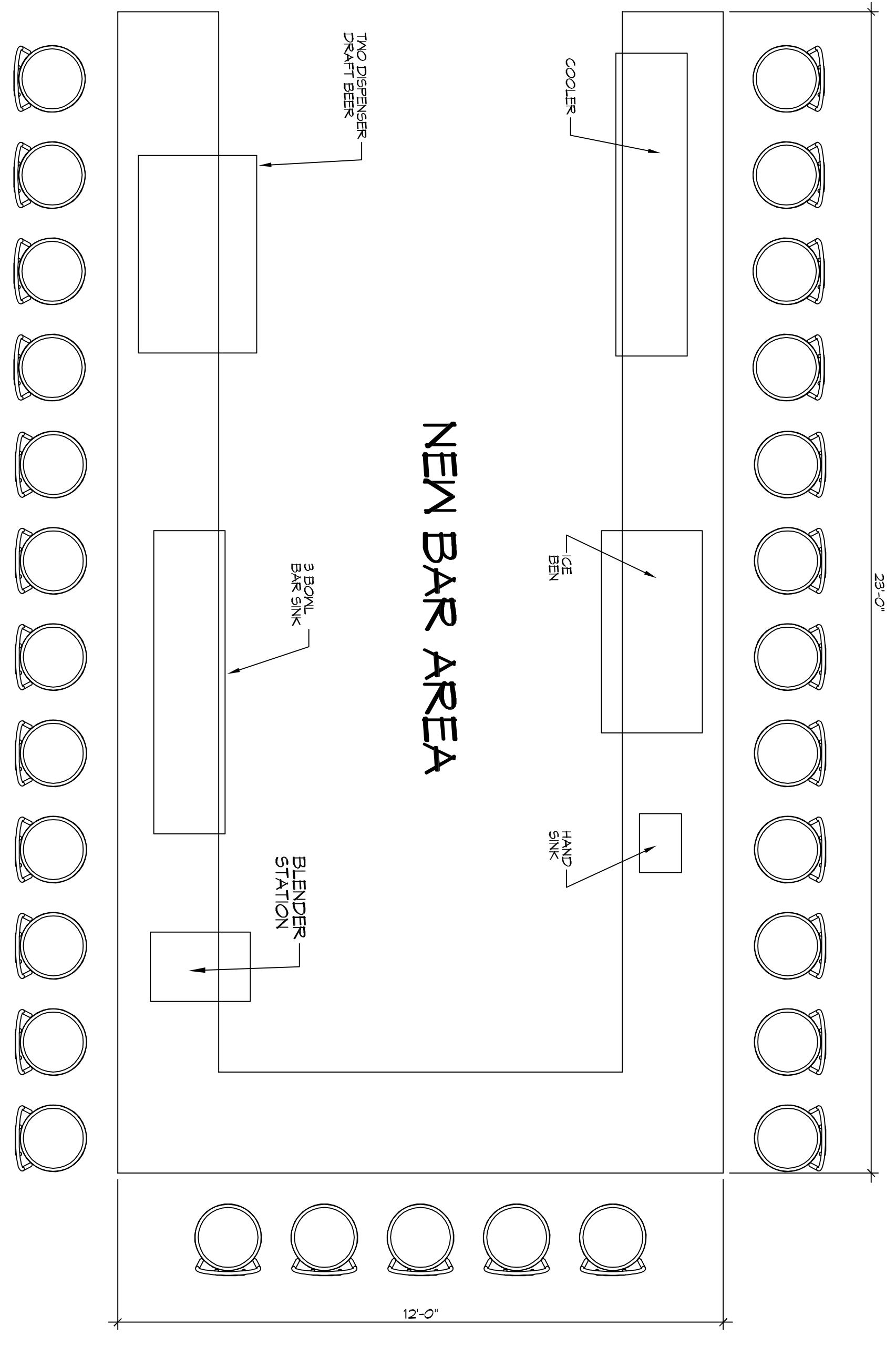
2 WOMENS RESTROOM
 SCALE: 1/2" = 1'-0"



2 RESTROOM CLEARANCES
 SCALE: 1/4" = 1'-0"

2 NEW BAR LAYOUT
 SCALE: 1/2" = 1'-0"

NEW BAR AREA



1 MOUNTING HEIGHTS
 SCALE: 1/4" = 1'-0"

RENOVATION OF ADA RESTROOMS AND BAR

OSIATA HABACHI SUBSISTANCE

142 I-10 SERVICE ROAD
 SLIDELL, LA 70461

JOB No: 2330 DATE: 10-26-17

DRAWN BY: [Signature] CHECKED BY: [Signature]

SHEET TITLE: ACCESSIBILITY INFORMATION

DRAWING NUMBER: **6100**

SHEET No. 1 of 31



REVISIONS	DATE
# DESCRIPTION	

DAMMON ENGINEERING, INC.
 LOUISIANA & MISSISSIPPI

Chief Engineer: Brian Mistich, PE
 554 Old Spanish Trail
 Slidell, LA 70458

www.dammonengineering.com
 info@dammonengineering.com
 PH: 985.649.5832