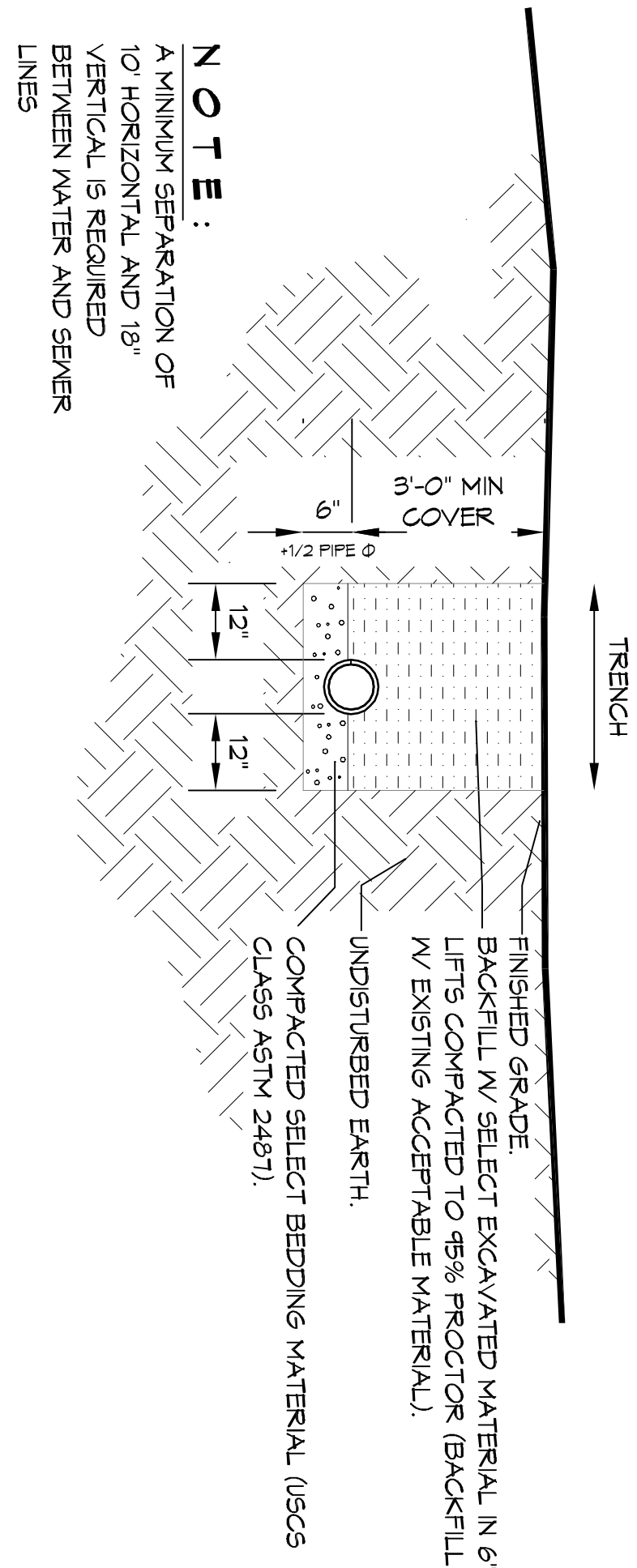
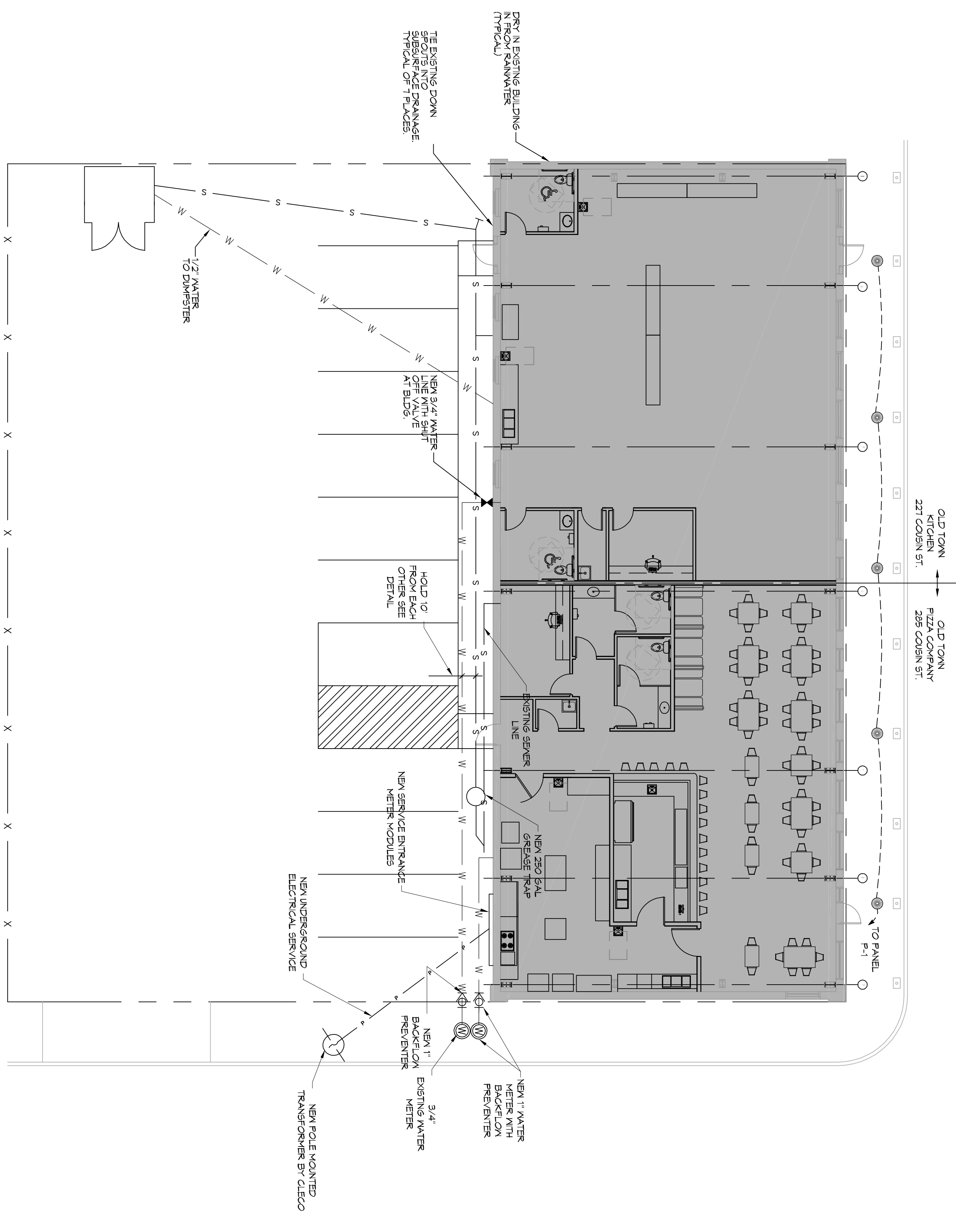


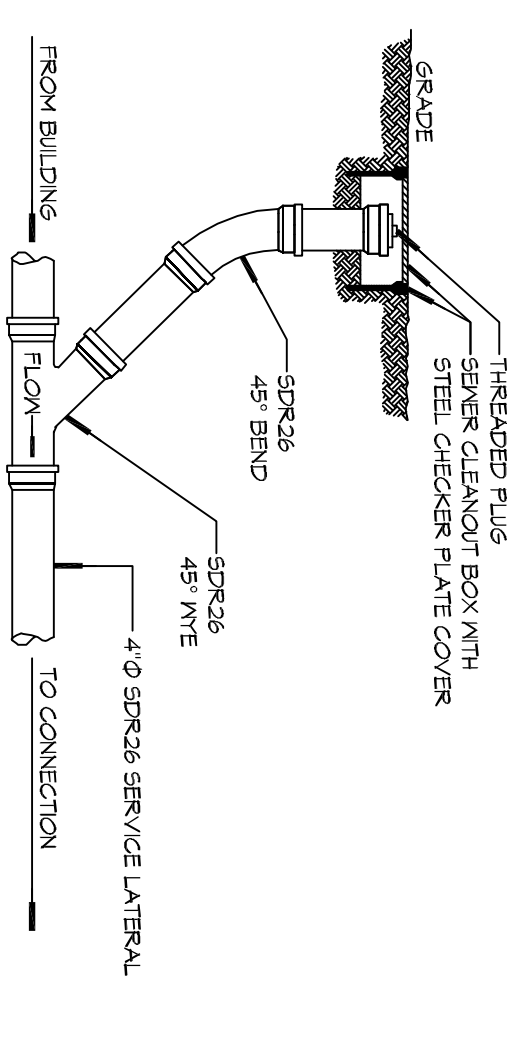
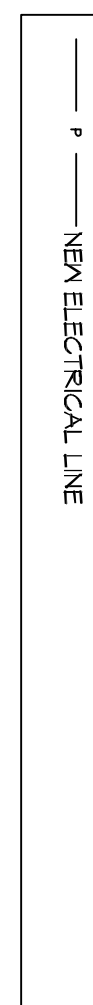
SCALE: 1"=10'-0"

SITE UTILITY PLAN

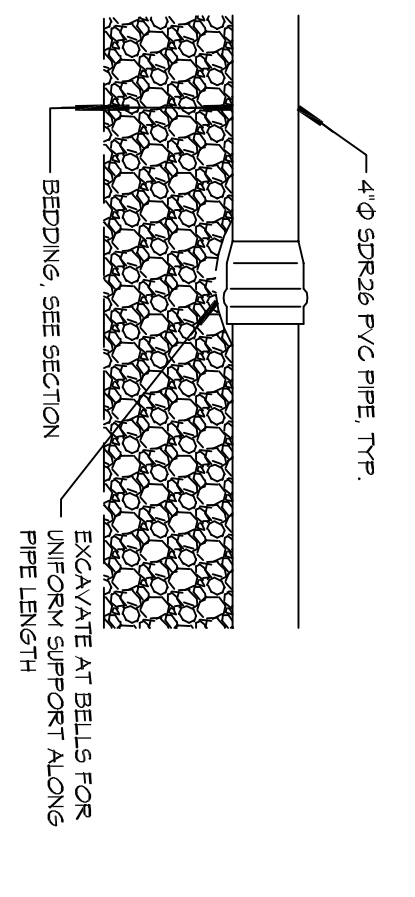


NOTE:
A MINIMUM SEPARATION OF 10\"/>

- ### GENERAL SITE NOTES
1. PROVIDE ALL LABOR, MATERIAL AND EQUIPMENT FOR A COMPLETE OPERATING SYSTEM. CONTRACTOR IS TO FIELD VERIFY ALL EXISTING UTILITY LOCATIONS, ELEVATIONS, AND INVERTS PRIOR TO COMMENCING ANY WORK. CONTRACTOR SHALL PAY NECESSARY FEES FOR THE UTILITIES CONNECTIONS.
 2. CONTRACTOR TO BE RESPONSIBLE TO VERIFY ANY INVERTS AND SET NEW INVERTS OF SEWAGE AND DRAINAGE PIPES.
 3. ALL WORK AND MATERIAL TO COMPLY STRICTLY TO THE LATEST LOCAL CITY, PARISH, STATE AND NATIONAL GOVERNING CODES.
 4. SEWAGE LINES 3\"/>



2 DETAIL
SCALE: N.T.S.
SEWER AND WATER SEPARATION



3 DETAIL
SCALE: N.T.S.
TYPICAL PIPE BEDDING

NEW RESTAURANT
OLD TOWN PIZZA COMPANY
225 COUSIN STREET
SLIDELL, LA 70458

JOB No: 2391 DATE: 11-21-17
DRAWN BY: CKD CHECKED BY: CKD



#	DESCRIPTION	DATE

DAMMON ENGINEERING, INC.

LOUISIANA & MISSISSIPPI

Chief Engineer: Brian Mistich, PE
554 Old Spanish Trail
Slidell, LA 70458

www.dammonengineering.com
info@dammonengineering.com
PH: 985.649.5832

SHEET TITLE:
SITE UTILITY PLAN

DRAWING NUMBER:
C102

SHEET NO.: 4 OF 4