

#	DESCRIPTION	DATE
1	REVISED PLUMBING DIAGRAM	11-13-15



JOB NO.:	2331
CHECKED BY:	
DATE:	12-21-17
DRAWN BY:	
PROJECT:	225 COUN STREET SLIDELL, LA 70488

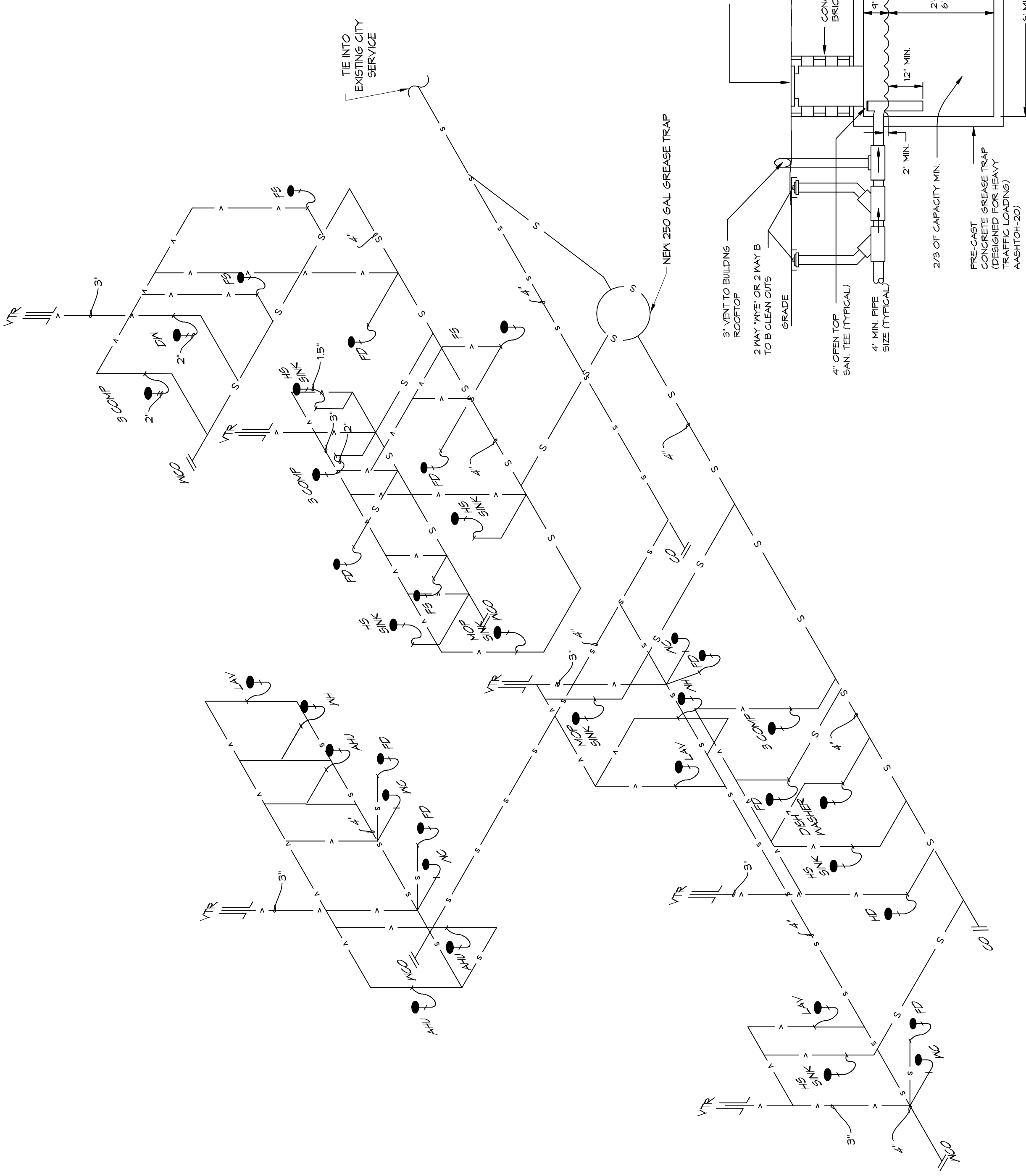
SHEET TITLE:
**PLUMBING PLAN AND
 PLUMBING RISER DIAGRAM**

DRAWING NUMBER:
P101

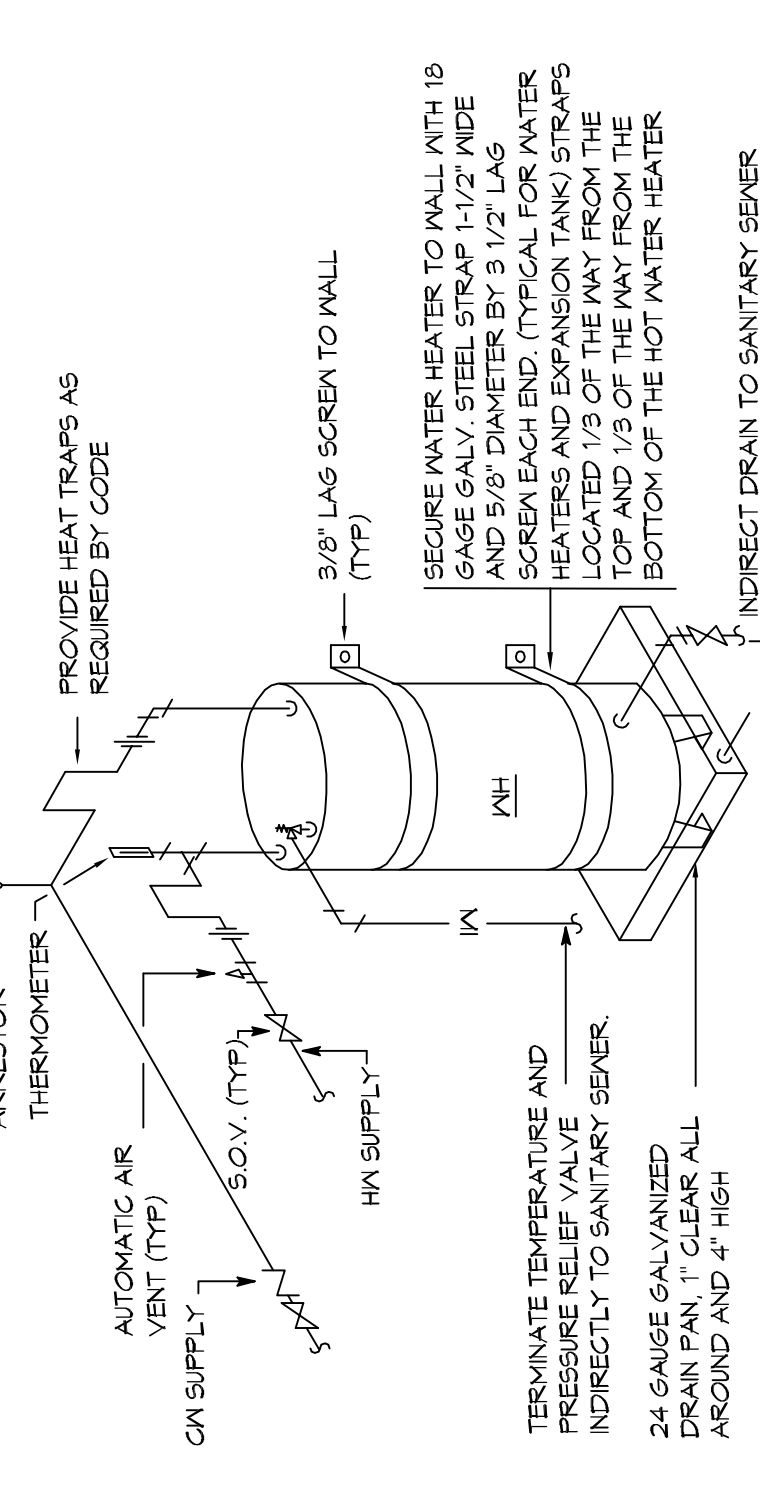
SHEET NO.:
 6 of 6

GENERAL NOTES

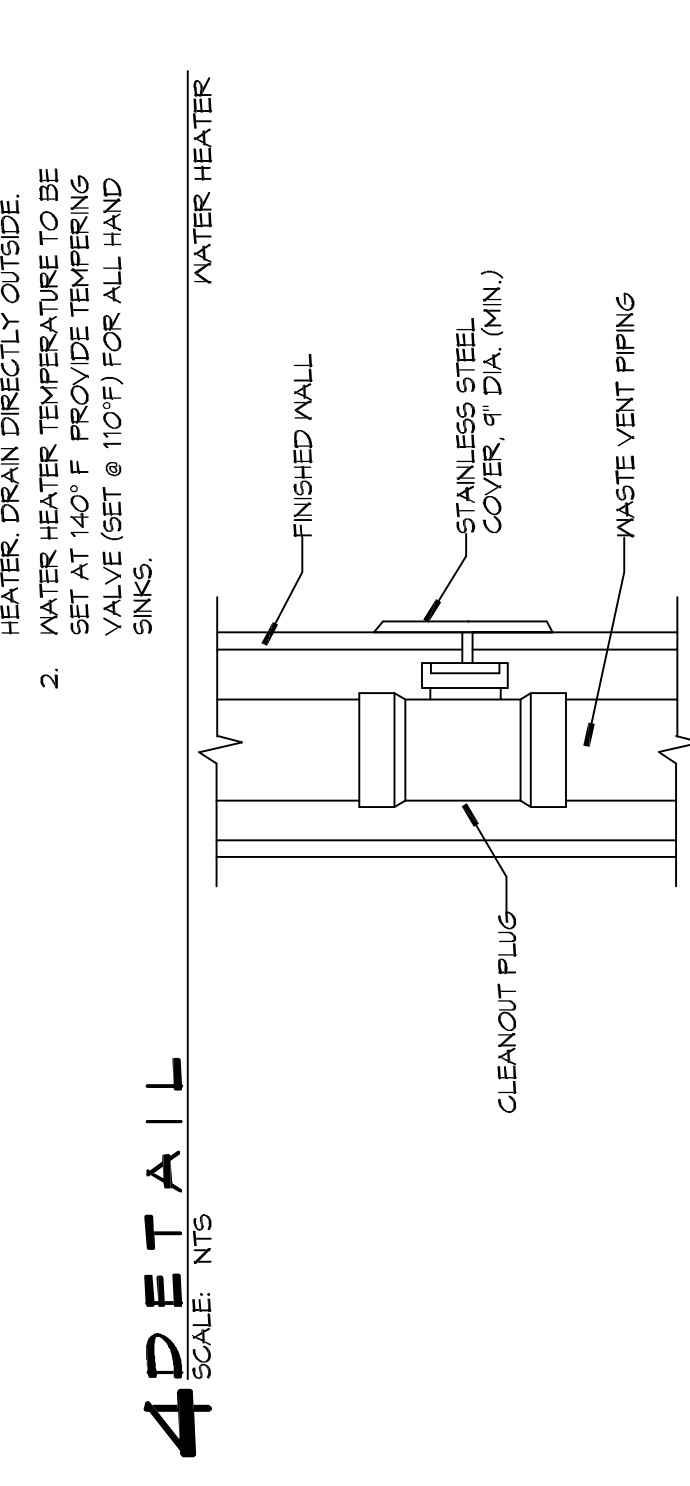
1. SEE VENDOR DRAWINGS
2. PLUMBING LINES SHOWN ARE DRAIN, PLUMBING, NATURAL GAS AND REPRESENT CONCEPTUAL ROUTING ONLY. CONTRACTOR IS RESPONSIBLE FOR FIELD VERIFICATION OF ACTUAL CONDITIONS.
3. PROVIDE ALL NECESSARY MATERIAL, TRANSPORTATION, SUPERVISION, CLEANUP, SERVICES, AND EQUIPMENT FOR A COMPLETE OPERATING SYSTEM. THE SYSTEM SHALL INCLUDE HOT AND COLD WATER PIPING, SEWER AND VENT PIPING, INSULATION, WATER HEATER, HANGERS, VALVES, SUPPORTS WITHOUT ANY RESTRICTIONS TO VOLUME, GWT AND PATCH AS REQUIRED TO INSTALL PIPES.
4. ALL WORK AND MATERIAL SHALL CONFORM STRICTLY TO THE LATEST LOCAL CITY, PARISH, STATE AND NATIONAL GOVERNING CODES. MUST MEET LA STATE PLUMBING CODE 2013 REQUIREMENTS.
5. CONTRACTOR IS TO FIELD VERIFY ALL EXISTING UTILITY LOCATIONS, ELEVATIONS AND SIZES PRIOR TO COMMENCING ANY WORK. CONTRACTOR SHALL PAY NECESSARY FEES FOR THE UTILITIES CONNECTIONS.
6. CONTRACTOR IS RESPONSIBLE TO VERIFY THE EXISTING INVERTS AND SET NEW INVERTS OF SEWERAGE AND DRAINAGE PIPES.
7. SEWERAGE LINES 3-INCH AND SMALLER SHALL BE SLOPED 1/4" PER FOOT AND LINES 4-INCH AND LARGER SHALL BE 1/8" PER FOOT.
8. TEST ALL PIPING AT REQUIRED PRESSURE.
9. ALL PLUMBING SHALL BE CLOSELY COORDINATED WITH STRUCTURAL, MECHANICAL, SYSTEM AND ELECTRICAL SYSTEMS TO INSURE NO TRADES WILL CONFLICT WITH EACH OTHER.
10. DO NOT SCALE DRAWINGS. SEE ARCHITECTURAL DRAWINGS FOR EXACT LOCATIONS OF DOORS, WINDOWS, WALLS, FIXTURES, ETC.
11. ALL WATER MAINS AND PIPING NOT SHOWN FOR CLARITY. ALL LOCATIONS FIELD VERIFIED.
12. DOMESTIC HOT AND COLD WATER PIPING AND FITTINGS UNDER SLAB SHALL BE ASTM B88 COPPER WATER TUBE, TYPE K, SOFT ANNEALED. NO JOINTS SHALL BE ALLOWED UNDER THE SLAB.
13. DOMESTIC WATER PIPING AND FITTINGS ABOVE THE SLAB SHALL BE ASTM B88 COPPER WATER TUBE, TYPE L. HARD DRAWN WITH COPPER PRESSURE TYPE FITTINGS, ANSI B16.22. THE JOINTS SHALL BE SOLDERED TYPE USING ASTM B32, ALLOY GRADE 95A (95-5) SOLDER.
14. SOLID WASTE, VENT PIPING AND FITTINGS ABOVE THE SLAB SHALL BE SERVICE WEIGHT CAST IRON PIPE WITH BELL AND SPIGOT ENDS AND ONE PIECE DEFORME INSERT TYPE GASKET. USE PVC SCHEDULE 40 OR ABS DRY PIPE AND FITTINGS WHERE PERMITTED BY CODE.
15. ALL WATER PIPING AND FITTINGS ABOVE THE FLOOR SHALL BE INSULATED WITH 1/2" THICK FIBERGLASS INSULATION AND JACKET.
16. ALL ELECTRICAL, MECHANICAL AND PLUMBING ELEMENTS PENETRATING FIRE PARTITIONS SHALL BE FIRE CALKED. (PENETRATIONS THROUGH RATED CONSTRUCTION SHALL BE SEALED WITH A MATERIAL CAPABLE OF PREVENTING THE PASSAGE OF FLAMES AND HOT GASES WHEN TESTED IN ACCORDANCE WITH ASTM E-814).
17. SEE ROOF PLAN FOR PLUMBING ROOF PENETRATIONS. ROUTE VENT PIPES IN ATTIC AS NECESSARY.
18. ALL VENTS THROUGH ROOF (VTR) SHALL BE LOCATED A MINIMUM OF 10'-0" FROM ANY MECHANICAL OR NATURAL AIR INTAKE.



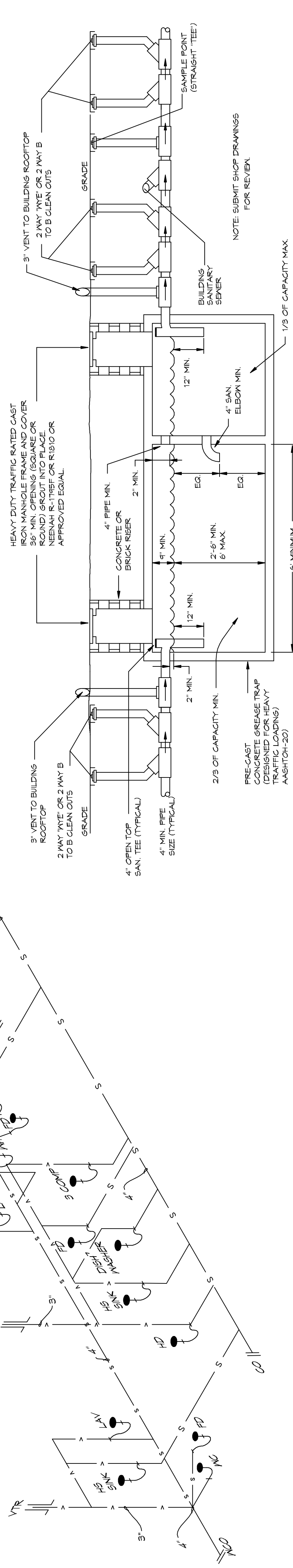
3 PLUMBING RISER DIAGRAM
 SCALE: NTS



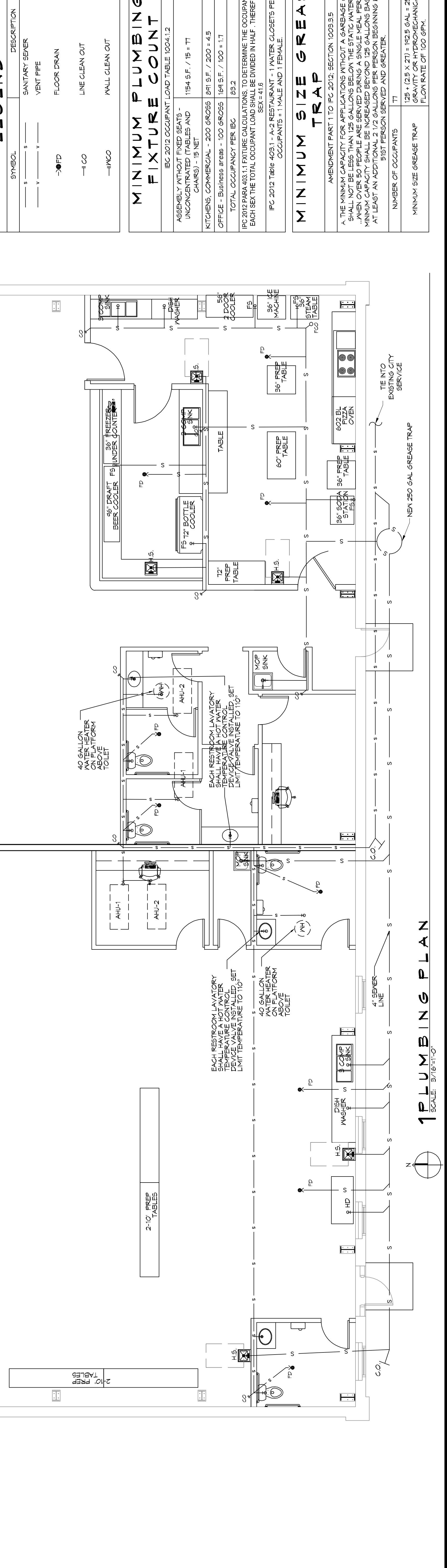
4 DETAIL
 SCALE: NTS



5 DETAIL
 SCALE: NTS



6 TYPICAL DETAILS
 SCALE: NTS



1 PLUMBING PLAN
 SCALE: 3/16"=1'-0"

LEGEND

SYMBOL	DESCRIPTION
—S—	SANITARY SEWER
—V—	VENT PIPE
—F—	FLOOR DRAIN
—CO—	LINE CLEAN OUT
—WCO—	WALL CLEAN OUT

MINIMUM PLUMBING FIXTURE COUNT

ICC 2012 OCCUPANT LOAD TABLE 1004.1.2

ASSEMBLY WITHOUT FIXED SEATS - UNCONCENTRATED TABLES AND CHAIRS	154 S.F. / 15 = 11
KITCHENS, COMMERCIAL - 200 GROSS	181 S.F. / 200 = 4.5
OFFICE - Business Offices - 100 GROSS	161 S.F. / 100 = 1.1
TOTAL OCCUPANCY PER IBC	88.2

IPC 2012 PARA 403.1.1 FIXTURE CALCULATIONS: TO DETERMINE THE OCCUPANT LOAD OF EACH SEX THE TOTAL OCCUPANT LOAD SHALL BE DIVIDED IN HALF. THEREFORE EACH SEX SHALL BE 44.1. 1-WATER CLOSETS PER '15
 35A-416
 OCCUPANTS 1 MALE AND 1 FEMALE.

IPC 2012 TABLE 403.1-1 A-2 RESTAURANT - 1 WATER CLOSETS PER '15
 OCCUPANTS 1 MALE AND 1 FEMALE.

MINIMUM SIZE GREASE TRAP

AMENDMENT PART 1 TO IFC 2012, SECTION 1009.3.5

A. THE MINIMUM CAPACITY FOR APPLICATIONS WITHOUT A GARBEAGE GRINDER SHALL NOT BE LESS THAN 125 GALLONS BELOW THE STATIC WATER LEVEL. WHEN OVER 50 PEOPLE ARE SERVED DURING A SINGLE MEAL PERIOD, THE MINIMUM CAPACITY SHALL BE INCREASED BEYOND 125 GALLONS BASED UPON AT LEAST AN ADDITIONAL 2 1/2 GALLONS PER PERSON BEGINNING WITH THE 51ST PERSON SERVED AND GREATER.

NUMBER OF OCCUPANTS	71
MINIMUM SIZE GREASE TRAP	125 * (25 X 27) = 193.5 GAL = 250 GAL
GRAVITY OR HYDROMECHANICAL WITH A FLOW RATE OF 100 GPM.	