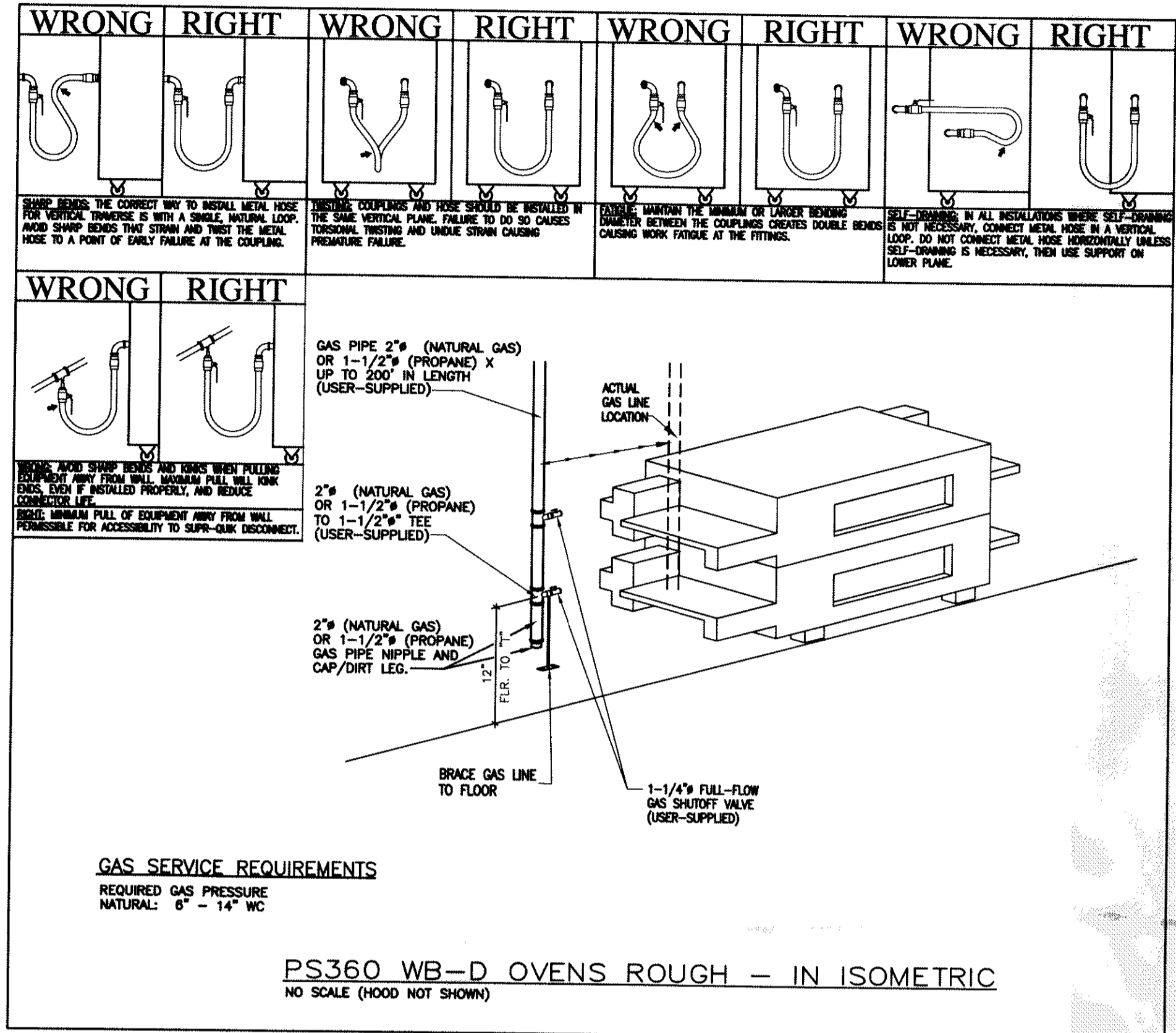
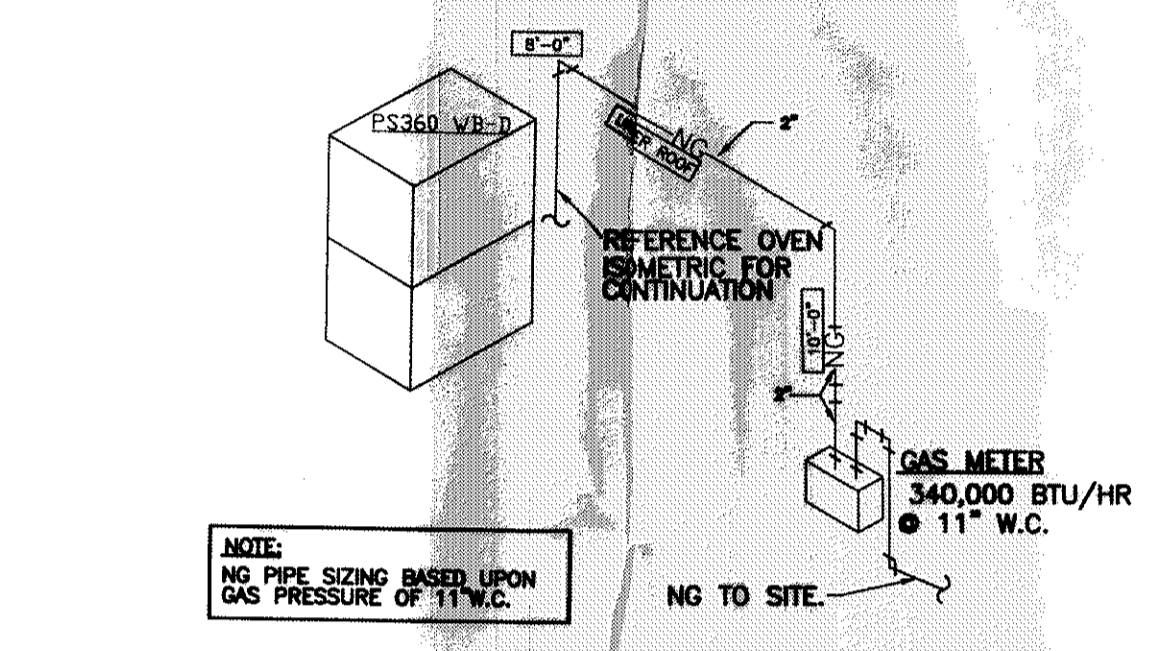


**PLUMBING ABBREVIATION LEGEND**

- AT — AT
  - ABV — ABOVE
  - A.F.F. — ABOVE FINISH FLOOR
  - C — WATER CLOSET
  - CLG — CEILING
  - CO — CLEANOUT
  - CONN — CONNECT/CONNECTION
  - CONT — CONTINUATION
  - 3CS — THREE COMPARTMENT SINK
  - 4CS — FOUR COMPARTMENT SINK
  - CW — COLD WATER
  - D — DISPOSAL
  - DF — DRINKING FOUNTAIN
  - DRWG — DRAWING
  - DW — DISHWASHER
  - EA — EACH
  - EXT — EXTEND
  - FAC — FURNACE/AIR COND.
  - FCO — FLOOR CLEANOUT
  - FD — FLOOR DRAIN
  - FEE — FINISH FLOOR ELEVATION
  - FKT — FIXTURE
  - FL — FLOOR
  - FPWH — FREEZE PROOF WALL HYDRANT
  - FS — FLOOR SINK
  - GC — GENERAL CONTRACTOR
  - GT — GREASE TRAP
  - HB — HOSE BIBB
  - HW — HOT WATER
  - L — LAVATORY
  - LOC — LOCATION
  - MC — MECHANICAL CONTRACTOR
  - MS — MOP SINK
  - MTD — MOUNTED
  - NG — NATURAL GAS
  - PC — PLUMBING CONTRACTOR
  - PME — PLUMBING/MECHANICAL/ELECTRICAL
  - REF — REFER/REFERENCE
  - RTU — ROOF TOP HVAC UNIT
  - SS — SANITARY SEWER
  - T&P — TEMPERATURE AND PRESSURE
  - TP — TRAP PRIMER
  - TYP — TYPICAL
  - UR — URINAL
  - V — VENT
  - VS — VEGETABLE SINK
  - VTR — VENT THROUGH ROOF
  - W — WASTE
  - W/ — WITH
  - WB — WASHER BOX
  - WCO — WALL CLEANOUT
  - WH — WATER HEATER
  - WM — WATER METER
  - — CONNECT NEW TO EXISTING
- NOTE: ALL ABBREVIATIONS MAY NOT APPLY

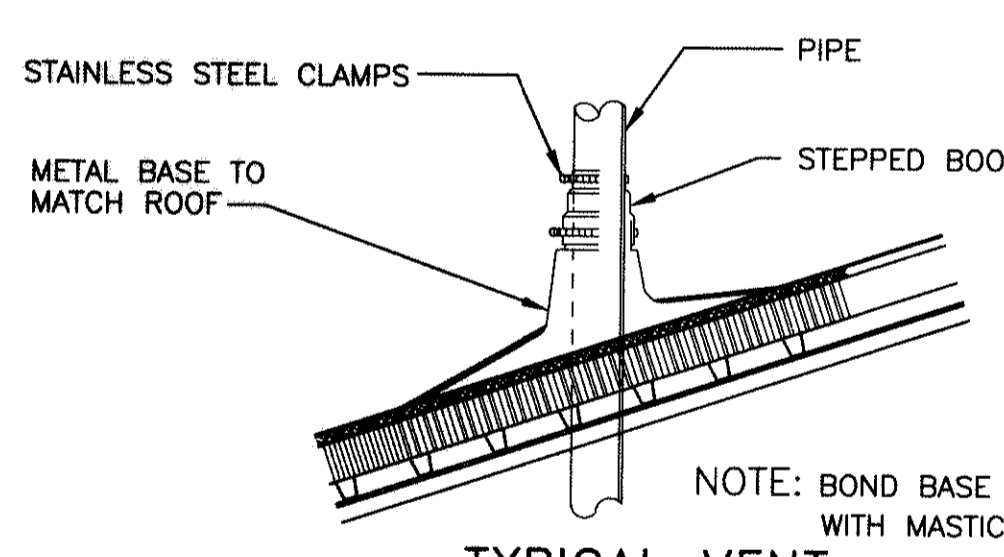


**NOTE:**  
1. P.C. SHALL FIELD VERIFY ALL DIMENSIONS.  
2. ALL GAS PIPING IS INSTALLED INSIDE HIGH IN CEILING SPACE EXCEPT WHERE NOTED OTHERWISE.

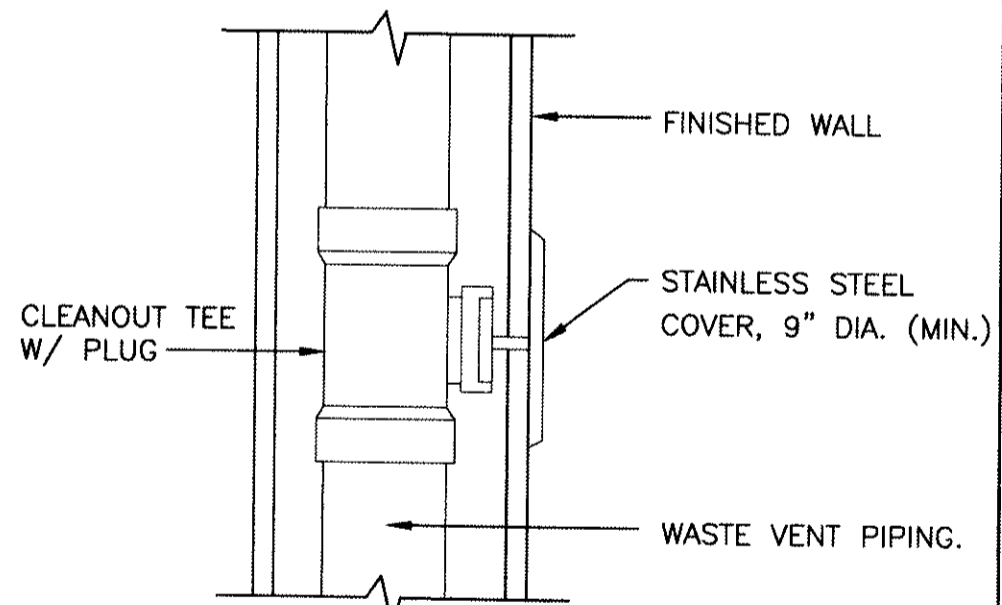


**NATURAL GAS PIPING DIAGRAM**

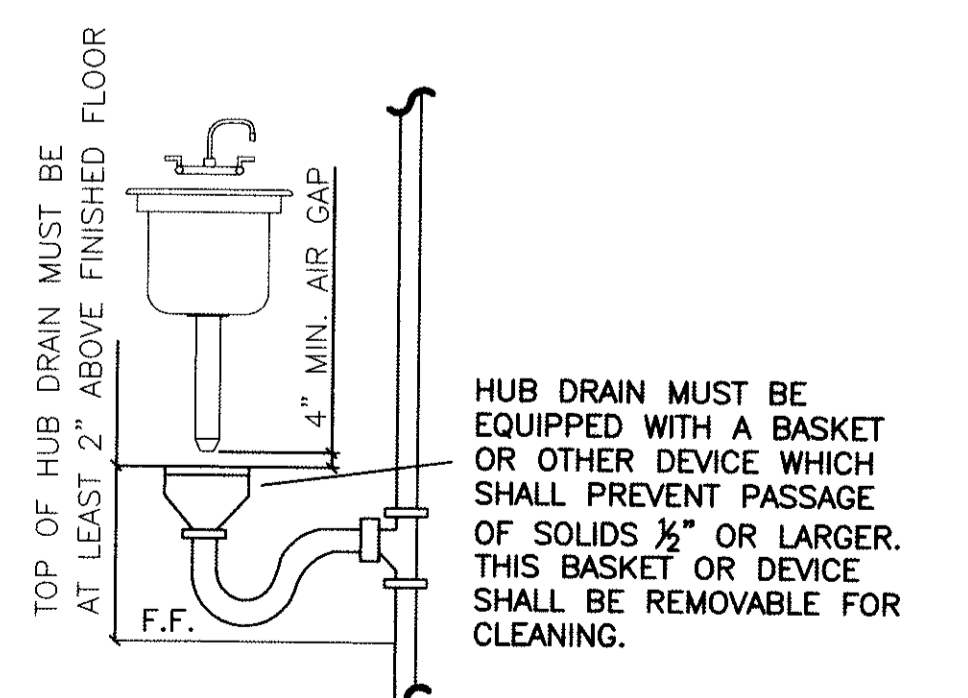
EQUIPMENT	BTUH INPUT
PS360 WB-D OVENS	340,000
TOTAL USAGE	340,000
APPROX. DISTANCE FROM REGULATOR TO FARTHEST TAKE OFF 25'	
GAS TYPE: NATURAL GAS	



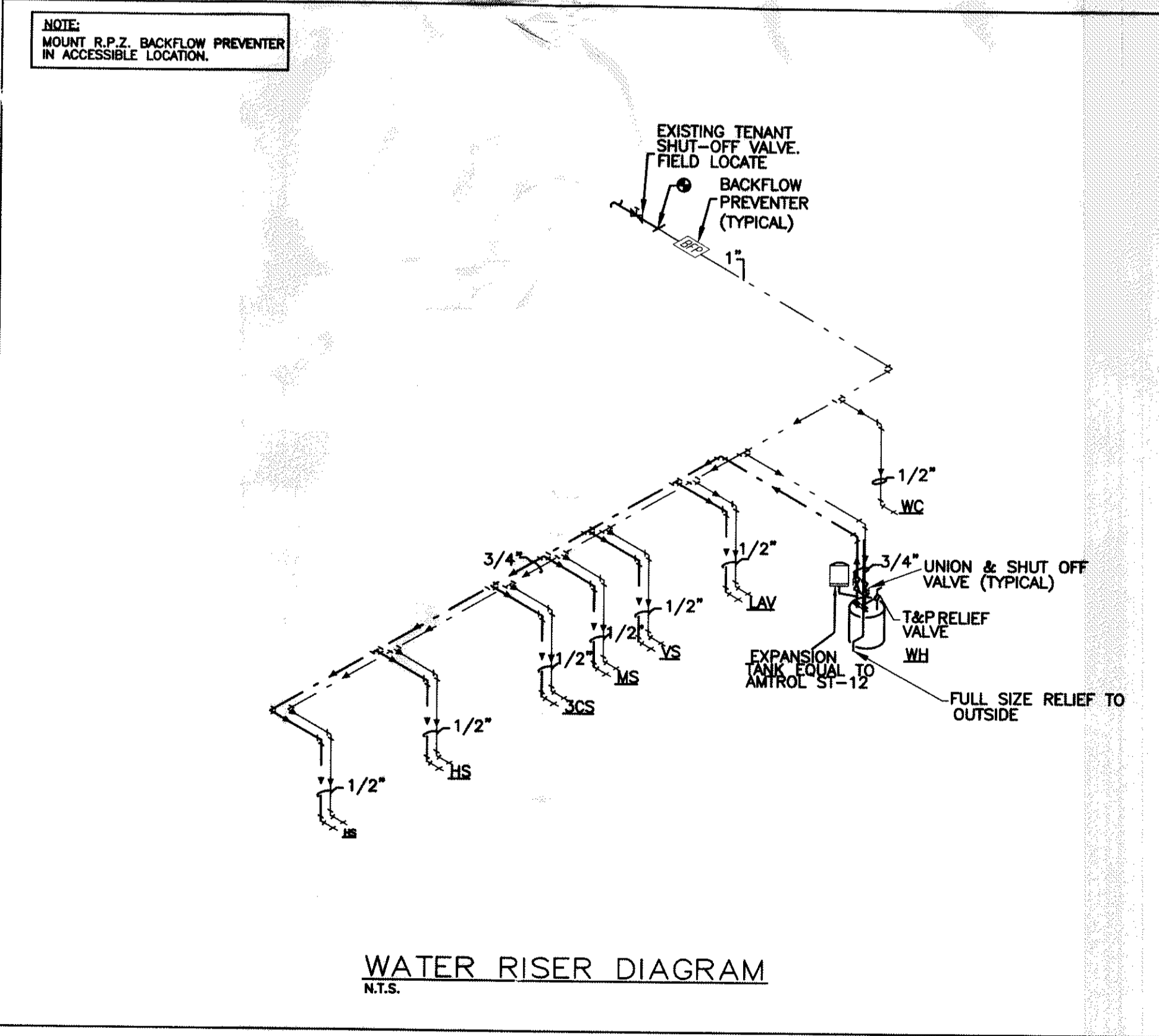
**TYPICAL VENT THRU ROOF DETAIL**  
N.T.S.



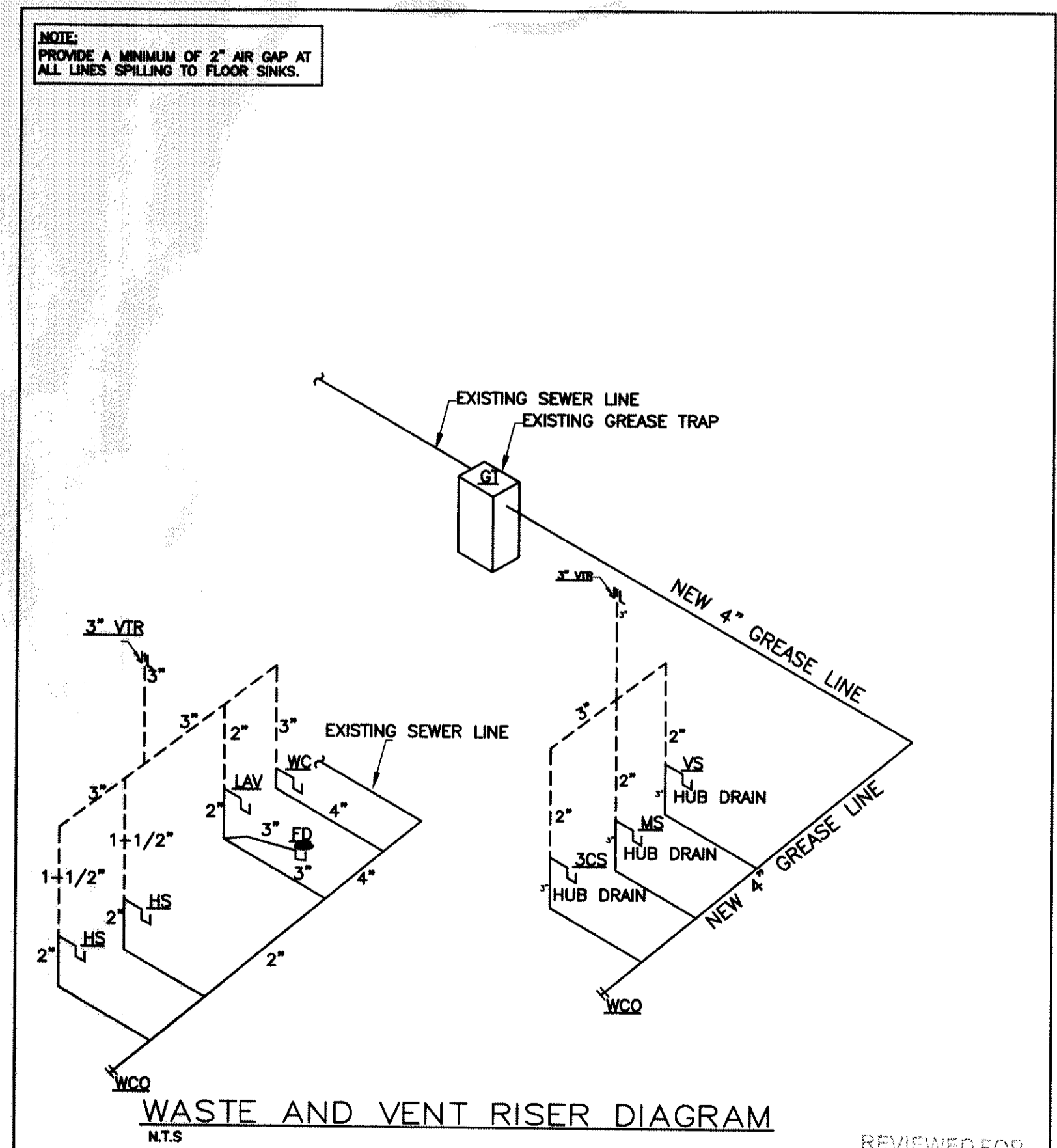
**WALL CLEANOUT DETAIL**  
N.T.S.



**TYPICAL FLOOR SINK WITH HUB DRAIN**  
N.T.S.



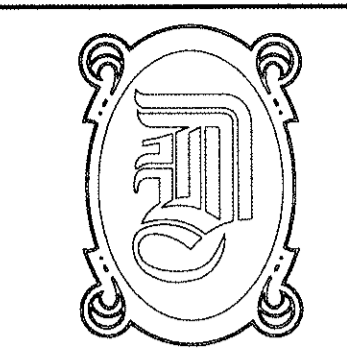
**WATER RISER DIAGRAM**  
N.T.S.



**WASTE AND VENT RISER DIAGRAM**  
N.T.S.

REVIEWED FOR STATE FIRE MARSHAL AS PER REVIEW LETTER BY JULIE LITTLE ARCHITECT

389436



**DAMMON ENGINEERING, INC.**

EMMETT DAMMON

ARCHITECT ROBERT WILTSE

1095 FLORIDA AVENUE  
SLIDELL, LA. 70458  
985-649-5832

WEBSITE: WWW.DAMMONENGINEERING.COM

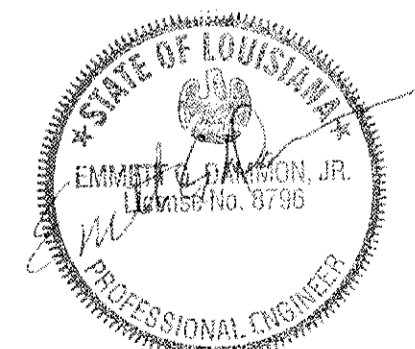
EMAIL: DAMMONENG@BELLSOUTH.NET

- ARCHITECTURE
- ENGINEERING
- STUDIES
- PLANNING
- INVESTIGATION
- EXPERT WITNESS

**MARCO'S PIZZA TENANT BUILDOUT**

2349 E. GAUSE BLVD  
SUITE 1  
SLIDELL, LA  
70461

**PLUMBING DETAILS**



SCALE: AS NOTED

JOB#: 2082

DATE: 11-1-10

SHEET 10

**P-2**

OF 10