

DAMMON
ENGINEERING, INC.

EMMETT
DAMMON

ARCHITECT
ROBERT
WILTSE

1095 FLORIDA AVENUE
SLIDELL, LA. 70458
985-649-5832

WEBSITE:
WWW.DAMMONENGINEERING.COM

EMAIL:
DAMMONENG@BELLSOUTH.NET

ARCHITECTURE
ENGINEERING
STUDIES
PLANNING
INVESTIGATION
EXPERT WITNESS

MARCO'S
PIZZA
TENANT
BUILDOUT

4638 Hwy. 22
Mandeville
Louisiana
70471-2820

ELECTRICAL
PANELS

SCALE: AS NOTED

JOB#: 2107

DATE: 5-25-11

SHEET 9

E-2

OF 11

GENERAL NOTES:

- ELECTRICAL CONTRACTOR SHALL COORDINATE FULLY WITH OTHER CONTRACTORS ASSOCIATED WITH THIS PROJECT TO PREVENT CONFLICTS DURING CONSTRUCTION. ANY DELAY OR RESOLUTION OF EQUIPMENT, PIPES, CONDUITS, DUCTS OR MATERIALS RESULTING FROM A LACK OF COORDINATION BETWEEN CONTRACTORS WILL BE AT THE CONTRACTOR'S EXPENSE.
- EQUIPMENT ROOMS SHOWN ARE ACCURATE TO THE BEST OF DESIGNER'S KNOWLEDGE. HOWEVER, IN SOME INSTANCES, THE CONTRACTOR SHALL VERIFY ALL CRITICAL DIMENSIONS WITH THE OWNER PRIOR TO CONSTRUCTION. FAILURE OF THE ELECTRICAL CONTRACTOR TO VERIFY THESE DIMENSIONS SHALL PLACE THE RESPONSIBILITY FOR ANY SUBSEQUENT RELOCATION DIRECTLY ON THE CONTRACTOR.
- ELECTRICAL CONTRACTOR SHALL FURNISH AND INSTALL ALL REQUIRED DISCONNECT SWITCHES AND MOTOR STARTERS TO LOCATION OF BUILDING SERVICE PRIOR TO CONSTRUCTION AND PROVIDE 120VAC CONNECTION AS REQUIRED.
- ELECTRICAL CONTRACTOR SHALL PROVIDE AS-BUILT DRAWINGS AT JOB COMPLETION TO ARCHITECT.
- ALL WORK SHALL BE INSTALLED PER ALL GOVERNING CODES.
- ELECTRICAL CONTRACTOR SHALL FURNISH AND INSTALL OPEN FUSES, HUBBELL PUSHS (TWIN LOCKS)/ RECEPTACLES COMPLETE PER TO INSTRUCTION MANUAL FOR DETAILS.
- ALL WIRING AND SOAK CIRCUIT BREAKERS TO BE SWITCH GRADE.
- ELECTRICAL CONTRACTOR SHALL FURNISH AND INSTALL STARTERS FOR ROOF MOUNTED SUPPLY AND EXHAUST FANS CONTROLLED FROM THE SAME SWITCH.
- ALL JUNCTION BOXES INSTALLED ABOVE OR DIRECTLY BELOW THE SUSPENDED CEILING SHALL BE SUPPORTED IN ACCORDANCE WITH ARTICLE 314-23 OF THE 2002 NEC.
- ALL ISOLATED GROUND RECEPTACLE CIRCUITS SHALL BE EQUIPPED WITH INSULATED GROUND CONDUCTOR AND SEPARATE NEUTRAL WIRE.
- NEUTRAL WIRES FOR ISOLATED GROUND CIRCUITS SHALL NOT BE SHARED WITH OTHER BRANCH CIRCUITS. PROVIDE SEPARATE NEUTRAL WIRE FOR EACH ISOLATED GROUND CIRCUIT.
- ISOLATED GROUND CIRCUITS SHALL NOT BE ROUTED WITHIN SAME CONDUIT AS GENERAL BRANCH CIRCUIT WIRING.
- ISOLATED GROUND CONDUIT FOR SERVICE TO ISOLATED GROUND CIRCUITS.
- NON-ISOLATED GROUND TYPE RECEPTACLE.
- ELECTRICAL CONTRACTOR SHALL USE THE PORCELAIN WIRE NUTS PROVIDED WITH THE HEAT SHRINK UNITS. THE USE OF CONNECTION TO HEAT SHRINK UNITS PER MANUFACTURER'S RECOMMENDATION.
- USE CIRCUIT BREAKERS U.L. LISTED AS HACR TYPE FOR USE WITH HACR AND REFRIGERATING EQUIPMENT HAVING MOTOR GROUP COMBINATIONS AND MARKED FOR USE WITH HIGH TYPE CIRCUIT BREAKERS.
- WALK-IN COOLER REFRIGERATION UNIT AND CO2 TABLE TOP STOVE UNITS.
- FLUORESCENT LAMPS IN FOOD PREP, COOK AND FOOD STORAGE AREAS SHALL BE PROVIDED WITH SHANTER PROTECTIVE PLASTIC GARDEN. ELECTRIC CONDUIT LAMPS OR APPROVED EQUIVALENT SHALL BE CONNECTED TO THE BRANCH CIRCUIT INDICATED ABOVE OF RESPECTIVE CONTROL SWITCH. IN ORDER TO PROVIDE UNINTERRUPTED SOURCE TO FIXTURES, ALL 120 VOLT SINGLE PHASE, 15 OR 20 AMP RECEPTACLES LOCATED IN THE WORK AREA SHALL HAVE GROUND-Fault CIRCUIT-INTERRUPTER PROTECTION AS REQUIRED BY SECTION 210.8.3.3 OF THE 2002 NEC.

RECELVAN SYSTEMS

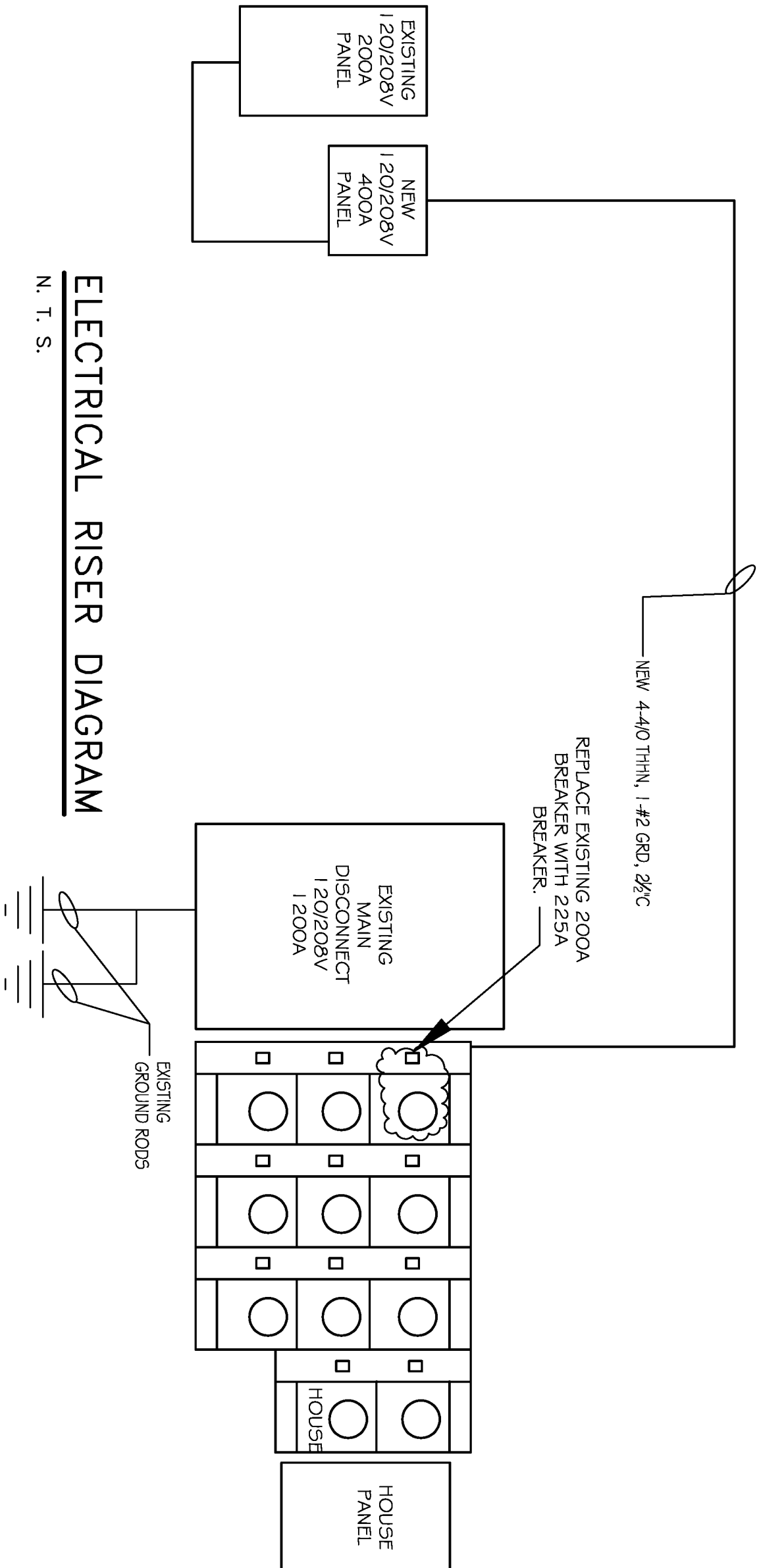
- CONDUIT WIRING SHALL BE ROUTED IN EMF. ELECTRICAL METALLIC TUBING. USE STEEL SET SCREW TYPE FITTINGS ON ALL EMF.
- CONDUIT SHALL BE SUPPORTED AT INTERVALS PER NEC REQUIREMENTS AND SHALL BE SECURELY FASTENED TO BUILDING WITH AN APPROVED FASTENING SYSTEM.
- WIRING, WIRING DEVICES, PLATES AND GROUNDING.
- ALL WIRING SHALL CONSIST OF COPPER CONDUCTORS WITH THERMOPLASTIC INSULATION RATED FOR SIX HUNDRED (600) VOLTS. ALL WIRING INSULATION SHALL BE HEAT AND MOISTURE RESISTANT TYPES THW, THHN, OR THHN FOR INTERNAL AND DRAVE LOCATIONS.
- MINIMUM CONDUCTOR SIZE SHALL BE NO. 12 AWG FOR ALL POWER CIRCUITS (I.E. RECEPTACLES, LIGHTING, EQUIPMENT AND DRAVE LOCATIONS).
- ALL SPACES AND CONNECTIONS SHALL BE MADE IN OUTLET BOXES, JUNCTION BOXES OR EQUIPMENT WHERE ACCESSIBLE. POWER, ETC.) NUMBER 14 AWG SHALL BE MINIMUM SIZE PERMITTED FOR EQUIPMENT CONTROL CIRCUIT WIRING.
- CONDUCTORS SHALL BE RULLED WITHOUT THE USE OF OIL OR GREASE. WIRE PULLING LUBRICANTS WHICH ARE APPROVED BY THE MANUFACTURER SHALL BE USED TO FACILITATE WIRE PULLING. WIRING SHALL BE PERMITTED TO EXCEED MAXIMUM ALLOWABLE PULLING TENSION OF WIRE IS NOT EXCEEDED. WIRING WITH DAMAGED CONDUCTORS OR INSULATION WILL NOT BE ACCEPTED.
- ALL PLUG-IN DEVICES SHALL BE GROUNDED TYPE. A GROUNDING JUMPER FROM RECEPTACLE TO OUTLET BOX SHALL BE INSTALLED WHERE CONDUIT SYSTEM IS USED FOR GROUND.
- ALL WIRING SHALL BE INSTALLED IN ACCORDANCE WITH THE NATIONAL ELECTRICAL CODE (NEC) AND ALL OTHER APPLICABLE REGULATIONS PER NEC.
- SWITCHES FOR LIGHTING CONTROL SHALL BE INDUSTRIAL GRADE, MOXY COLOR, SIDE WIRED ONLY, TWENTY (20) AMP, ONE HUNDRED TWENTY/TWO HUNDRED SEVENTY-SEVEN (120/277) VOLT.
- DUPLEX RECEPTACLES SHALL BE INDUSTRIAL GRADE, THREE (3) WIRE GROUNDING, MOXY COLOR, FINDER GROOVE, TWENTY (20) AMP, NEMA 5-20R 125 VAC.
- PLATES SHALL BE FURNISHED AND INSTALLED FOR ALL WIRING DEVICES, TELEPHONE OUTLETS, JUNCTION BOXES, ETC. PLATES FOR FUSE MOUNTED DEVICES SHALL BE STAINLESS STEEL. PLATES FOR SURFACE MOUNTED DEVICES SHALL BE GALVANIZED STEEL.

LIGHTING FIXTURES

- PROVIDE LIGHTING FIXTURES, OF SIZES, TYPES AND RATINGS INDICATED, COMPLETE WITH, BUT NOT LIMITED TO, HOUSINGS, ENERGY EFFICIENT LAMPS, LAMP HOLDERS, REFLECTORS, ENERGY EFFICIENT BALLASTS, STARTERS AND WIRING SHIPMENTS WITH CONCEALED HINGES AND CATCHES, WITH METAL PARTS GROUNDED AS COMMON UNIT, AND SO CONSTRUCTED AS TO DAMPEN BALLAST GENERATED NOISE.
 - FLUORESCENT BALLASTS PROVIDED FOR FOUR (4) FOOT 1-8 FLUORESCENT LAMPS SHALL BE TWO-LAMP ENERGY SAVING, ELECTRONIC TYPE.
 - INSTALL INTERIOR LIGHTING FIXTURES AT LOCATIONS AS INDICATED, IN ACCORDANCE WITH FIXTURE MANUFACTURER'S WRITTEN INSTRUCTIONS, APPLICABLE REQUIREMENTS OF NEC, NEMA'S STANDARD OF INSTALLATION, NEMA STANDARDS, AND WITH RECOMMENDED INDUSTRY PRACTICES TO ENSURE THAT LIGHTING FIXTURES MEET ALL REQUIREMENTS.
 - PROVIDE AND INSTALL ALL LIGHT FIXTURES INDICATED COMPLETE WITH SPECIFIED LAMPS. FLUORESCENT LAMPS SHALL BE 2500 LUMENS, COMPACT FLUORESCENT LAMPS SHALL BE 26 WATT COMPACT FLUORESCENT LAMPS SHALL BE HIGH COLOR RENDERING, HIGH EFFICIENCY LAMPS WITH NOMINAL OPERATING TEMPERATURE OF 3,500 K.
 - FASTEN LIGHTING FIXTURES SECURELY TO STRUCTURAL SUPPORTS, AND ENSURE THAT FIXTURES ARE PLUMB AND LEVEL.
 - FLUORESCENT FIXTURES INSTALLED IN LAY-IN CEILING SHALL BE SUPPORTED BY ADDITIONAL WIRE SUPPORT AT TWO CORNERS, ATTACHED TO CEILING GRID, AND ANCHORED TO STRUCTURAL MEMBER. THIS ADDITIONAL WIRE SUPPORT SHALL BE THE RESPONSIBILITY OF THE ELECTRICAL CONTRACTOR AND IS NOT CONSIDERED PART OF GENERAL GRID LAYOUT.
 - PROVIDE EQUIPMENT GROUNDING CONNECTIONS FOR INTERIOR LIGHTING FIXTURES AS INDICATED, TIGHTEN CONNECTION TO COMPLY WITH TIGHTENING TORQUES SPECIFIED IN UL STD 480A TO ASSURE PERMANENT AND EFFECTIVE GROUNDS.
 - ALL LIGHT FIXTURES SHALL BE UL LISTED.
- FIRE RATED WALL PENETRATIONS**
- PROVIDE UL LISTED FIRESTOP SYSTEM SEALANTS AROUND ALL CONDUITS PASSING THROUGH ALL RATED WALLS OR FLOORS IN ACCORDANCE WITH THE UL FIRE RESISTANCE DIRECTORY.
 - THE SELECTED SYSTEM MUST BEAR AN APPROVED U.L. PENETRATION SYSTEM NUMBER AND BE INSTALLED IN ACCORDANCE WITH THE MANUFACTURER'S WRITTEN INSTRUCTIONS AND THE RATINGS OF THE RATED SYSTEM.
 - THE ELECTRICAL CONTRACTOR SHALL REVIEW ARCHITECTURAL DRAWINGS TO CONFIRM NUMBER AND EXTENT OF ALL FIRE RATED PARTITIONS IN THE FACILITY.
 - APPROVED PRODUCTS:
 - HILLI CS240
 - TERMO FRESHIELD
 - SM OF-25

ELECTRICAL RISER DIAGRAM

N. I. S.



PANEL: MDP
LOCATION: NEAR RESTROOM

SERVICE: 120/208V, 250A, 3# 4W
ENCLOSURE: FLUSH MOUNTED W/EQUIPMENT GROUND BAR

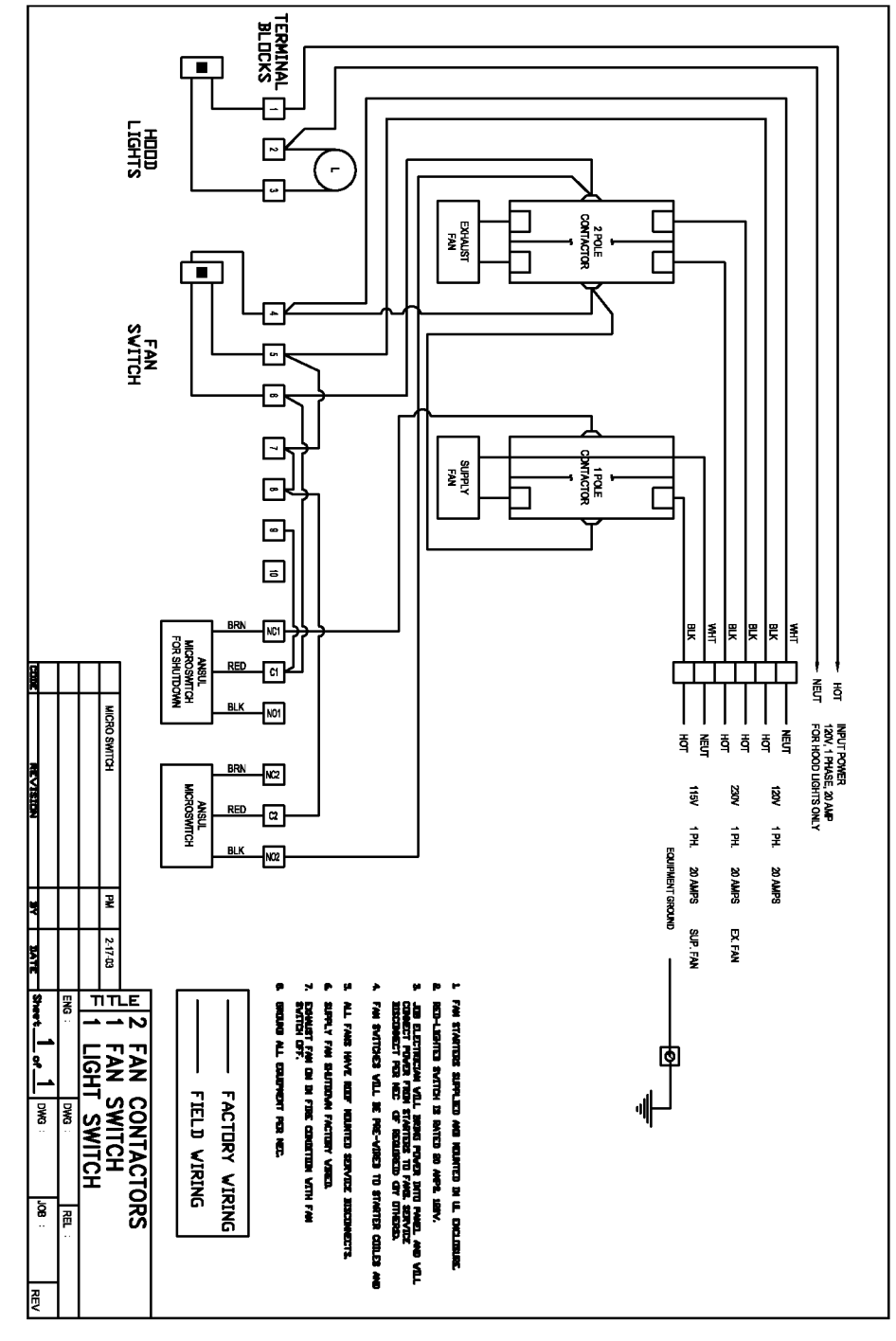
NO.	THIN	LOAD DESCRIPTION	BREAKER	LOAD	AMP	POLE	LOAD	BREAKER	LOAD DESCRIPTION	THIN	
NO.	SIZE	LOCATION	AMP	POLE	(KVA)		(KVA)	AMP	LOCATION	NO.	
1	10	CONVECTOR UNIT #1	30	2	1.2		3.1	40	EXISTING 6 TW 4/C #1	2	
3	10	SHOULDER THERM BARR	12	2	0.5		3.1	40	EXISTING 6 TW 4/C #1	4	
5	10	CONVECTOR UNIT #1	30	2	1.2		3.1	40	EXISTING 6 TW 4/C #1	6	
7	10	CONVECTOR UNIT #1	30	2	1.2		3.1	40	EXISTING 6 TW 4/C #1	8	
9	12	WATERHEATERS	20	1	1.0		2.1	30	EXISTING 6 TW 4W #1	10	
11	12	TELEPHONE BOARD	20	1	1.0		2.1	30	EXISTING 6 TW 4W #1	12	
13	12	DOUGH ROLLER #6	20	1	0.8		1.2	20	COOLER	14	
15	12	REC-INNERS #4	20	1	1.1		1.1	20	SHOULDER	16	
17	12	BOTTLE COOLER #29	20	1	1.2		1.2	20	HEAT LAMPS #1	18	
19	12	WATER TUB #1A	20	1	1.8		1.6	20	HEAT LAMPS #2	20	
21	12	PIZZA BOAT W/ WINDING SYSTEM #24	20	1	1.8		1.6	20	PIZZA BOAT W/ WINDING SYSTEM #24	22	
23	12	PIZZA BOAT W/ WINDING SYSTEM #24	20	1	1.8		1.6	20	PIZZA BOAT W/ WINDING SYSTEM #24	24	
25	12	WINDOW SINKS	20	1	1.0		1.2	20	PIZZA BOAT W/ WINDING SYSTEM #24	26	
27	12	OUTLETS	20	1	1.0		1.2	20	PIZZA BOAT W/ WINDING SYSTEM #24	28	
29	12	SON THICKER	20	1	1.8		1.4	20	BOTTLE COOLER #29	30	
31	12	LIGHTS	20	1	1.3		1.6	20	LIGHTS	32	
33	12	SHOULDER	20	1	1.3		1.6	20	FRONT COUNTER OUTLETS	34	
35	12	SHOULDER	20	1	1.3		1.6	20	FRONT COUNTER OUTLETS	36	
37	12	SHOULDER	20	1	1.3		1.6	20	FRONT COUNTER OUTLETS	38	
39	12	SHOULDER	20	1	1.3		1.6	20	FRONT COUNTER OUTLETS	40	
41	12	SHOULDER	20	1	1.3		1.6	20	FRONT COUNTER OUTLETS	42	
TOTAL CONNECTED LOAD (KVA)				44.3K							

ELECTRICAL LOAD SUMMARY - 320A SERVICE

LOAD SOURCE	120-4VA	320-1VA
ELECTRIC LIGHTING	4.3K	
BUILDING WATER HEATING	9.0K	
AIR CONDITIONING	30.0K	
KITCHEN EQUIPMENT	1.76K	5.4K
REFRIGERATION	6.4K	
RECEPTACLES (GENERAL)	1.3K	
RECEPTACLES (SPECIAL)	5.7K	
OTHER SPECIFIC		
TOTAL	44.3K	67.2K

MARK

MARK	DESCRIPTION	LAMP	MODEL NO.	MANUF.
A	2X4 LAY-IN FLUORESCENT (18 EXISTING/RELOCATED)	(3) F32-T8 3500K	25P-6-3-32-FM-A1225-20-6E8	LITHONIA
B	CEILING RECESSED COMPACT W/ REMOTE RECESSED COMPACT FLUORESCENT DOWNLIGHT	(1) F42TRT 4100K 62CRI	UP6F-1/42TRT 614	LITHONIA
C	CEILING RECESSED COMPACT FLUORESCENT DOWNLIGHT	(1) CF-40 BK 4100K 62CRI	WVC/CF-40-20 TRD GEB	LITHONIA
D	CEILING RECESSED COMPACT FLUORESCENT WALL WASHER	(1) CF-40 BK 4100K 62CRI	WVC/CF-40-20 TRD GEB	LITHONIA
E	EMERGENCY DUAL LAMP W/BATTERY BACK-UP, INSTALL 64" A.F.F.	EXISTING	EXISTING	EXISTING
F	EMERGENCY DUAL LAMP EXT LIGHT	EXISTING	EXISTING	EXISTING
G	1/8" DBL TUBING, SURFACE TRACK LIGHT	(4) 35W METAL HEB-DBL-DTL	1/8"-DBL-R-35M-20-HER-DBL-DTL	LITHONIA
H	1/8" DBL TUBING, SURFACE TRACK LIGHT	(4) 35W METAL HEB-DBL-DTL	1/8"-DBL-R-35M-20-HER-DBL-DTL	LITHONIA



HOOD CONTROL SCHEMATIC

SCALE: NONE

NOTE: ELECTRICAL SERVICE AND SYSTEM DETAILED IS DESIGNED BASED ON 120 / 208 VOLT THREE PHASE SERVICE. ELECTRICAL CONTRACTOR TO VERIFY AVAILABLE SERVICE. MAKE NECESSARY MODIFICATIONS AS REQUIRED.

ELECTRICAL DESIGN BASED UPON 2008 NATIONAL ELECTRICAL CODE.