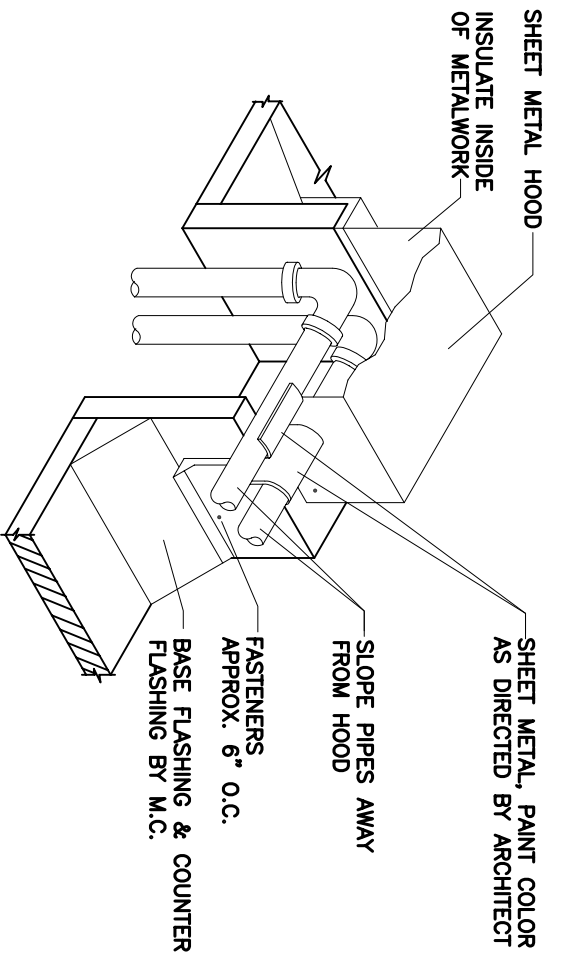


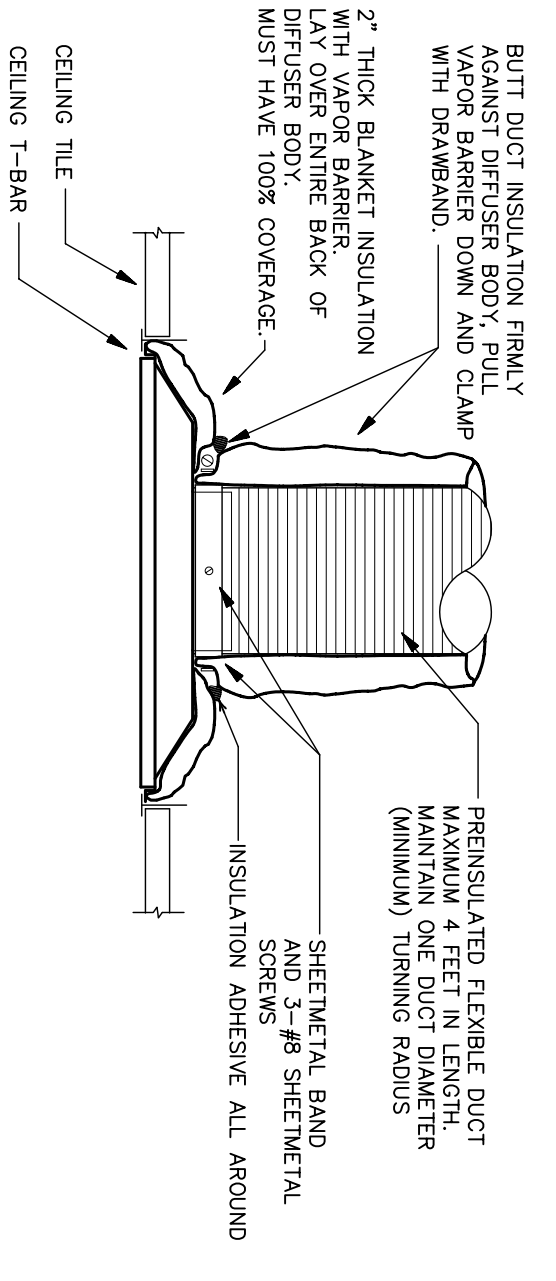
TYPICAL MARCO'S PIZZA HOOD & DUCT INSTALLATION
W/CLEARANCE REDUCTION MATERIALS TO PROTECT COMBUSTIBLES
N.T.S

HOOD INFORMATION TABLE		AIR REQUIREMENTS		SERV. GROUP		HOOD COMPOSITION		FAN/BL	
HOOD NO.	MODEL	LEN	HTH	EXHAUST	EXHAUST	SUP	SUP	CONSTRUCTION	ENCLOSURE
		FT	IN	CFM	CFM	CFM	CFM	TYPE	TYPE
1	32	11'-0"	27"	400	800	1100	1000	TYPE 1	TYPE 1
		48" METAL BACK WALL 9" FLASH PANEL PROVIDED WITH HOOD							

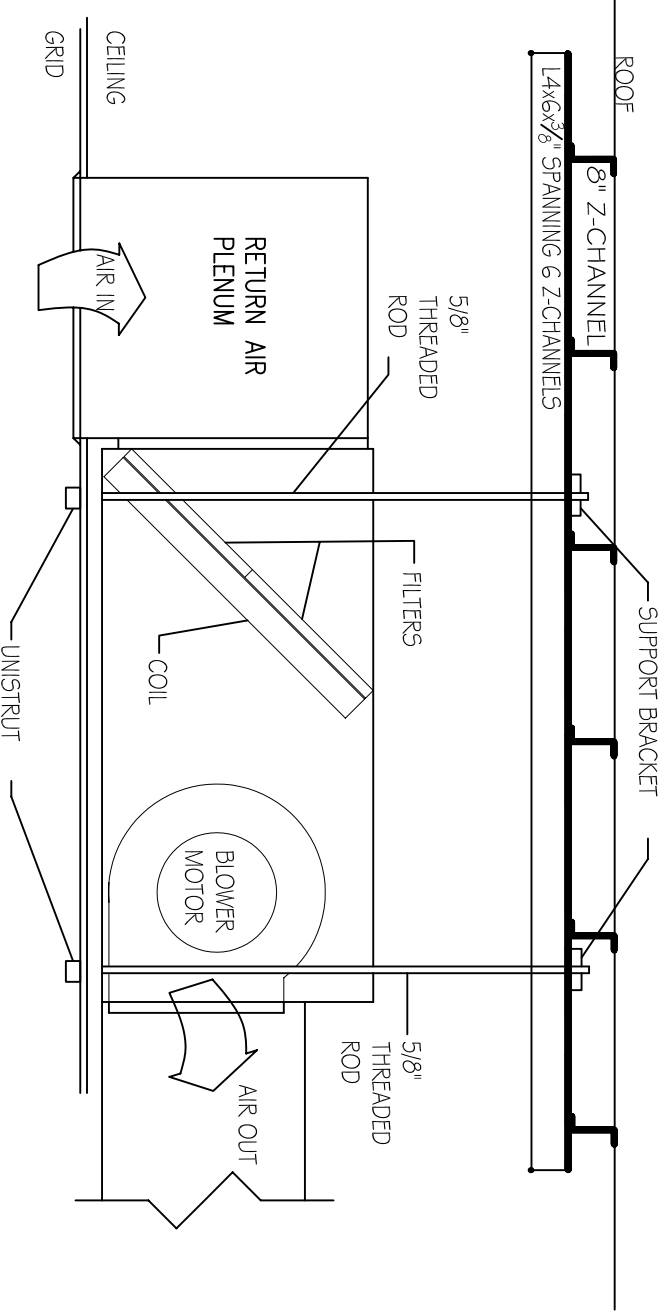


REFRIGERANT LINE/CONDUIT PIPE CURB DETAIL
NOT TO SCALE

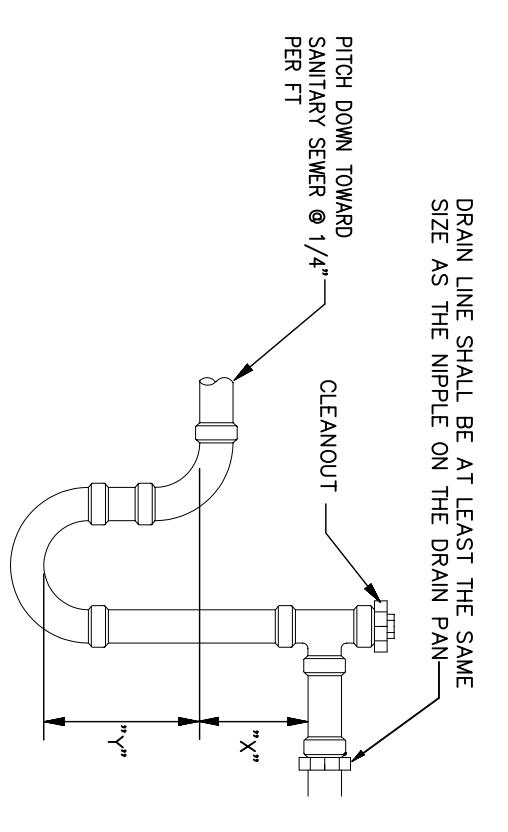
NOTE: MECHANICAL CONTRACTOR SHALL FINISH AND INSTALL CONTRACTOR SO AS TO PROVIDE ADEQUATE CLEARANCE FOR NEW AND FUTURE REFRIGERANT LINES AND CONDUIT.



LAY IN DIFFUSER DETAIL
NOT TO SCALE

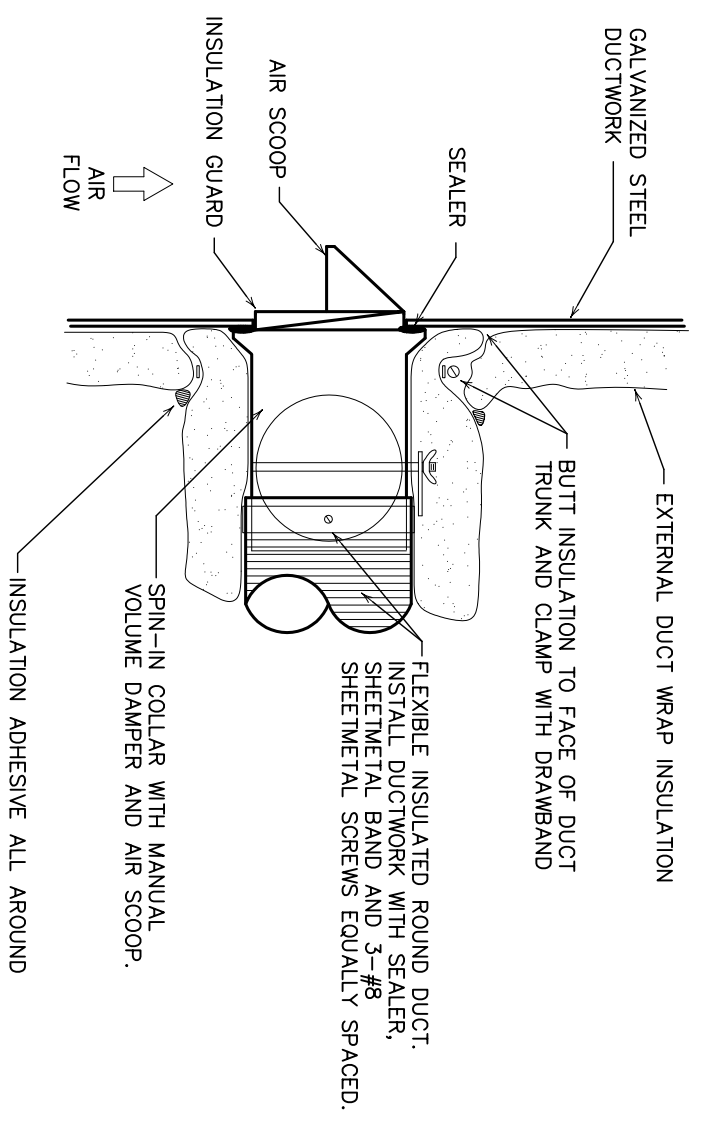


TYPICAL AIR HANDLING UNIT DETAIL
NOT TO SCALE

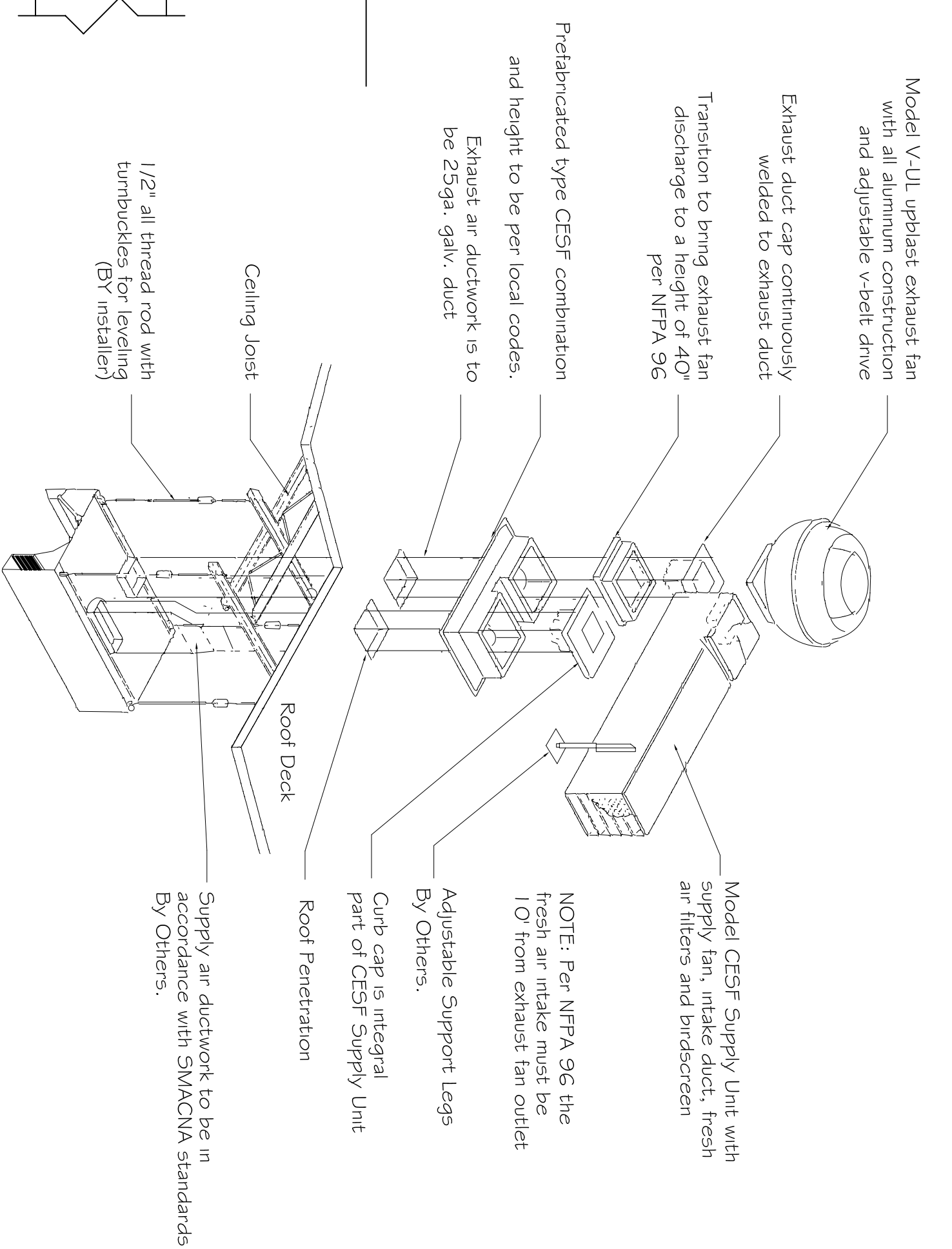


CONDENSATE TRAP DETAIL
NOT TO SCALE

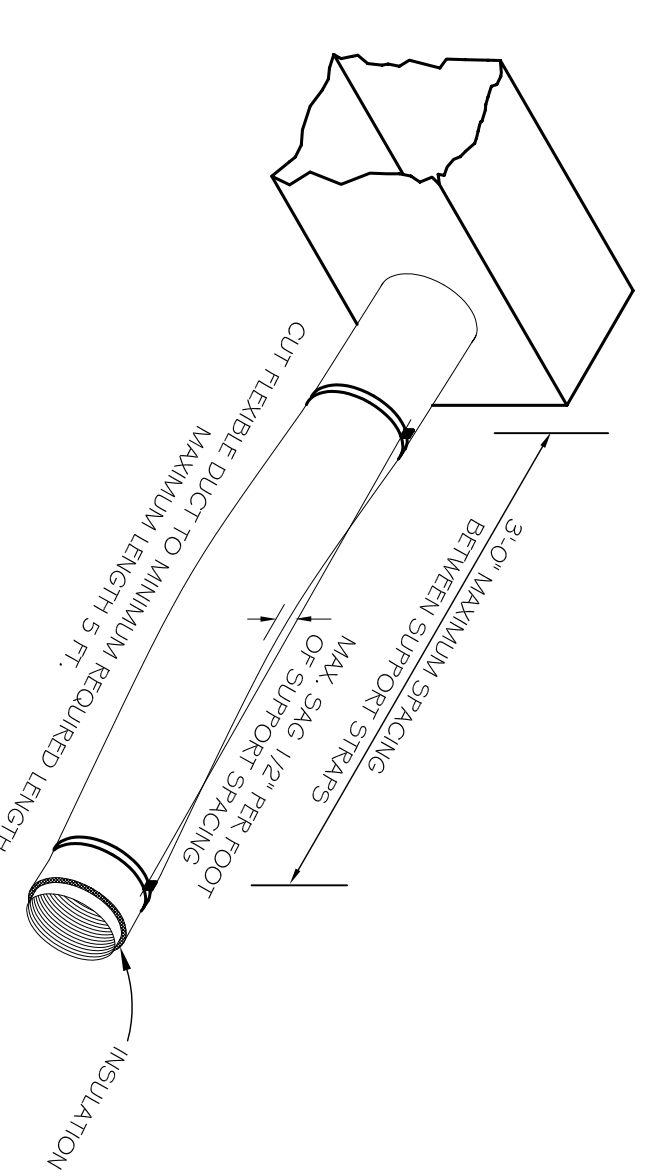
NOTES:
LEADINGS "X" AND "Y" SHALL BE DETERMINED BY ROOFTOP UNIT EQUIPMENT BASED ON TOTAL STATIC PRESSURE.
"X" AND "Y" SHALL BE EQUAL TO MINIMUM 1/2" TOTAL STATIC PRESSURE.
ALL CONDENSATE PIPING SHALL BE SLOPED AT 1/4" PER FOOT



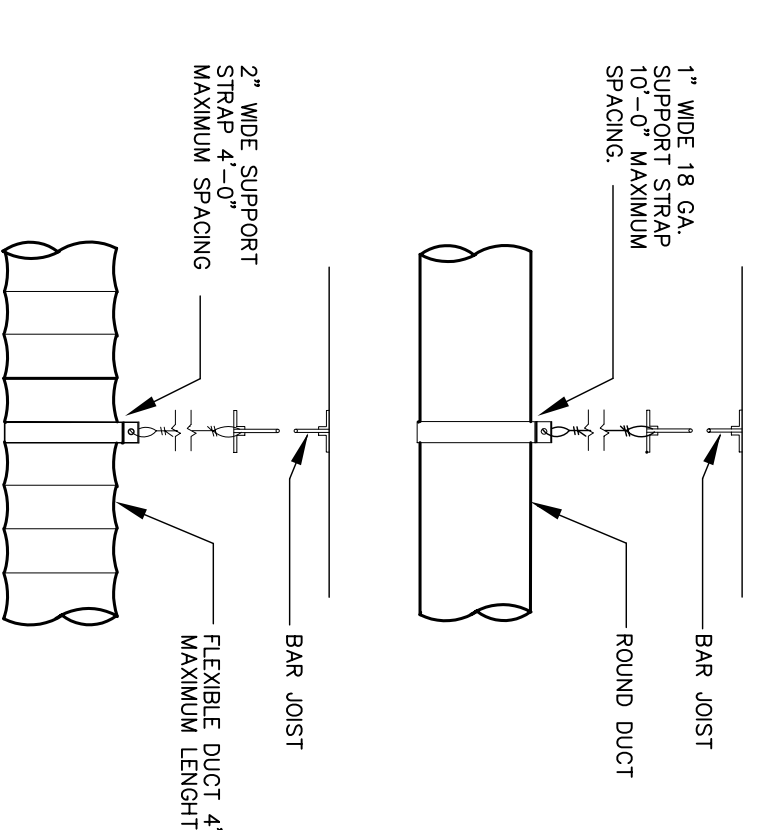
ROUND DUCT SPIN-IN DETAIL
NOT TO SCALE



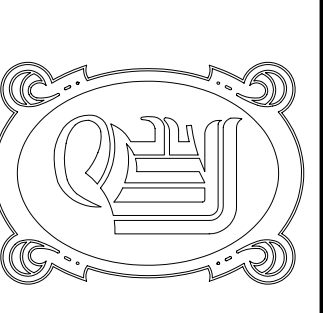
TYPICAL HOOD INSTALLATION
ACW WALL HOOD & CE9F ROOF TOP PACKAGE



FLEX DUCT SUPPORT DETAIL
NOT TO SCALE



DUCT SUPPORT DETAIL
NOT TO SCALE



DAMMON ENGINEERING, INC.

EMMETT DAMMON

ARCHITECT ROBERT WILTSE

1095 FLORIDA AVENUE
SIDDELL, LA. 70458
985-649-5832

WWW.DAMMONENGINEERING.COM
WEBSITE:
EMAIL:
DAMMONENG@BELLOUTH.NET

ARCHITECTURE
ENGINEERING
STUDIES
PLANNING
INVESTIGATION
EXPERT WITNESS

MARCO'S PIZZA TENANT BUILDOUT

4638 Hwy. 22
Mandeville
Louisiana
70471-2820

MECHANICAL DETAILS

SCALE: AS NOTED
JOB#: 2107
DATE: 5-25-11
SHEET 6

M-2