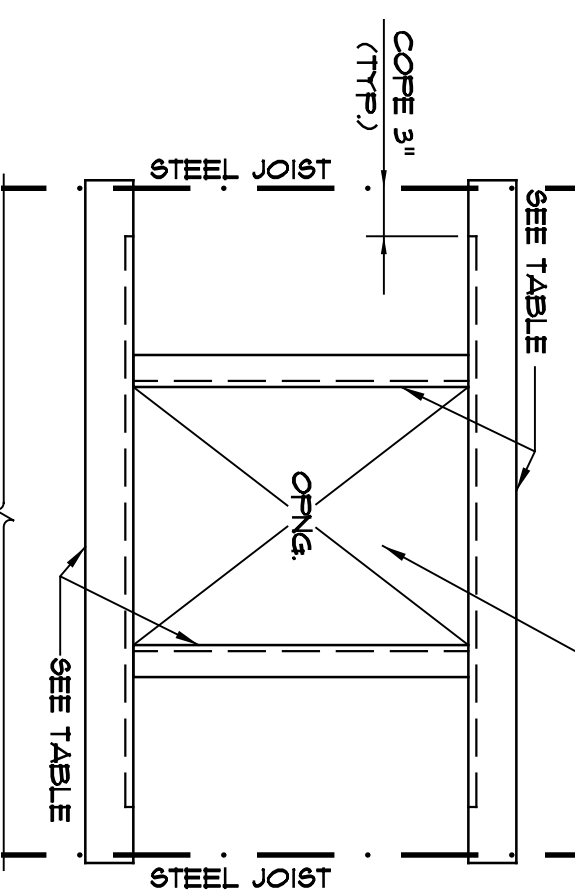


1

TABLE	
SPAN	L SIZE
UP TO 4'-0"	L3x3x3/16
4'-1" TO 6'-0"	L4x3x1/4 (LLV)
6'-1" TO 8'-0"	L6x4x3/16 (LLV)
8'-1" TO 10'-0"	L6x4x3/16 (LLV)
HYD UNIT 4" DIA UNIT	L6x4x3/16 (LLV)

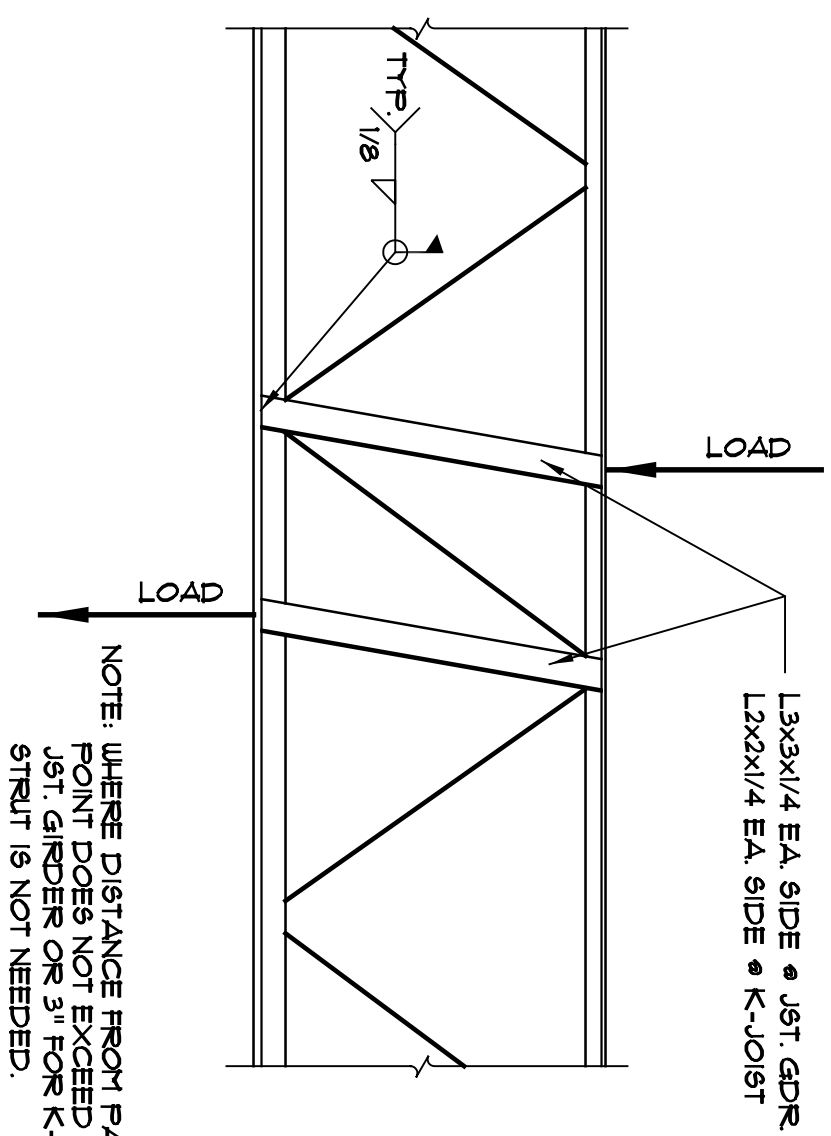
FOR SIZE AND LOCATION OF REQUIRED ROOF OPENG SEE MECHANICAL DRAWINGS FOR HYDAC UNIT



"TYP. ROOF OPENG./HVAC SUPPORT FRMG."

DETAIL 1
SCALE: 1" = 1'-0" (S401)

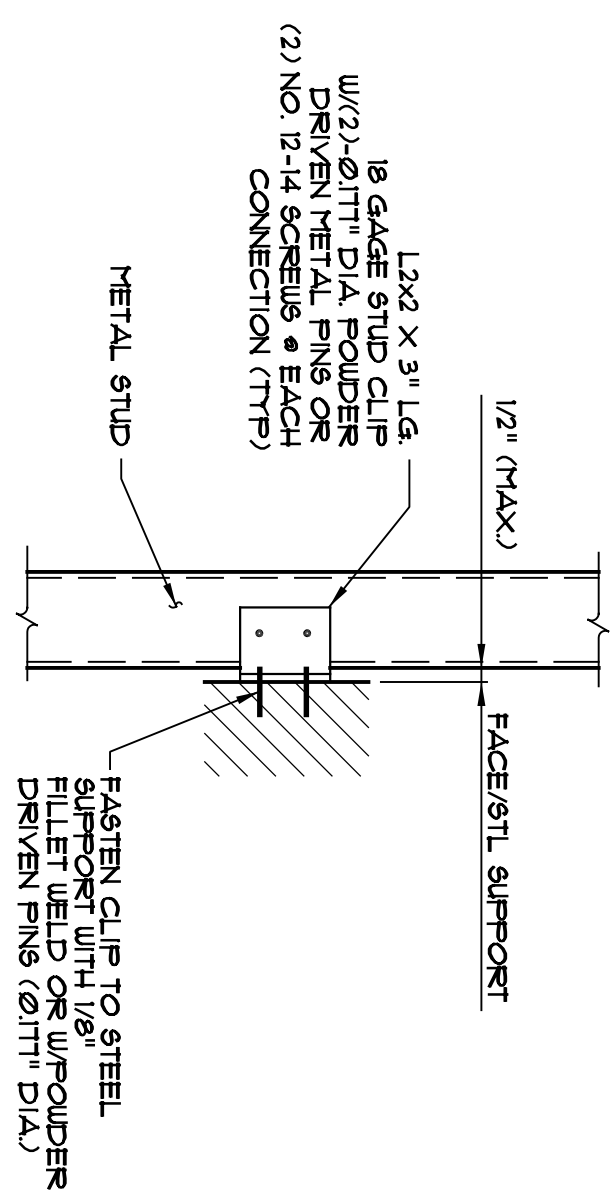
2



"TYP. JOIST GIRDER CHORD SUPPORT"

DETAIL 2
SCALE: 1" = 1'-0" (S401)

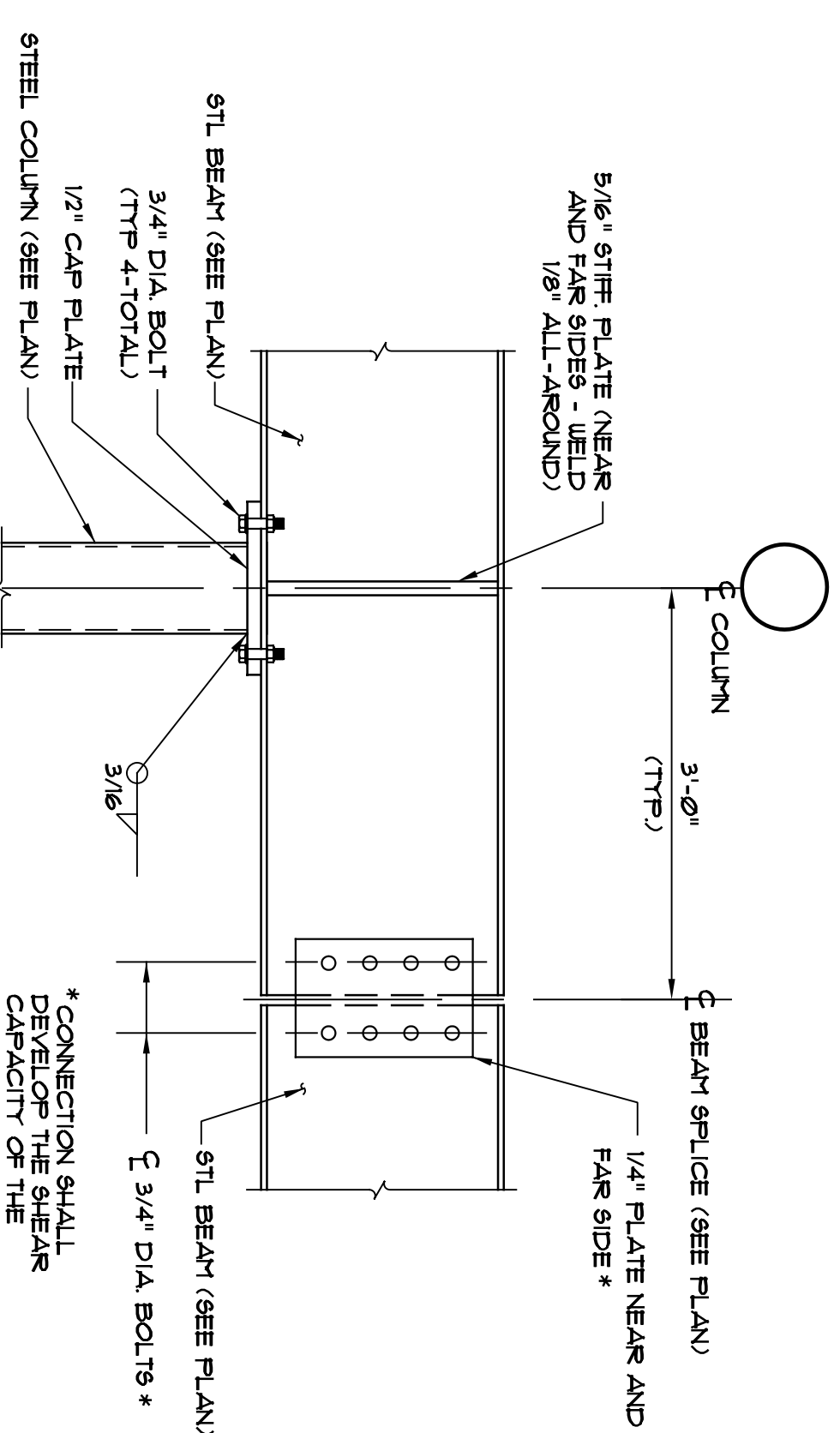
3



"TYP. METAL STUD CLIP CONN."

DETAIL 3
SCALE: 1" = 1'-0" (S401)

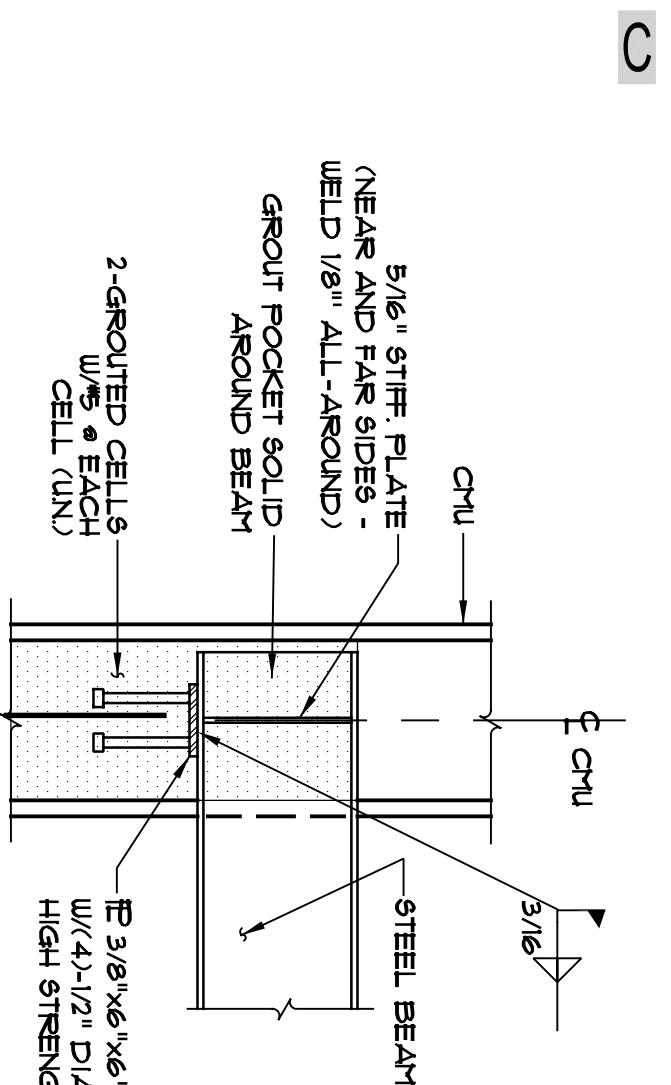
4



"TYPICAL STEEL BEAM SPLICE (9P)"

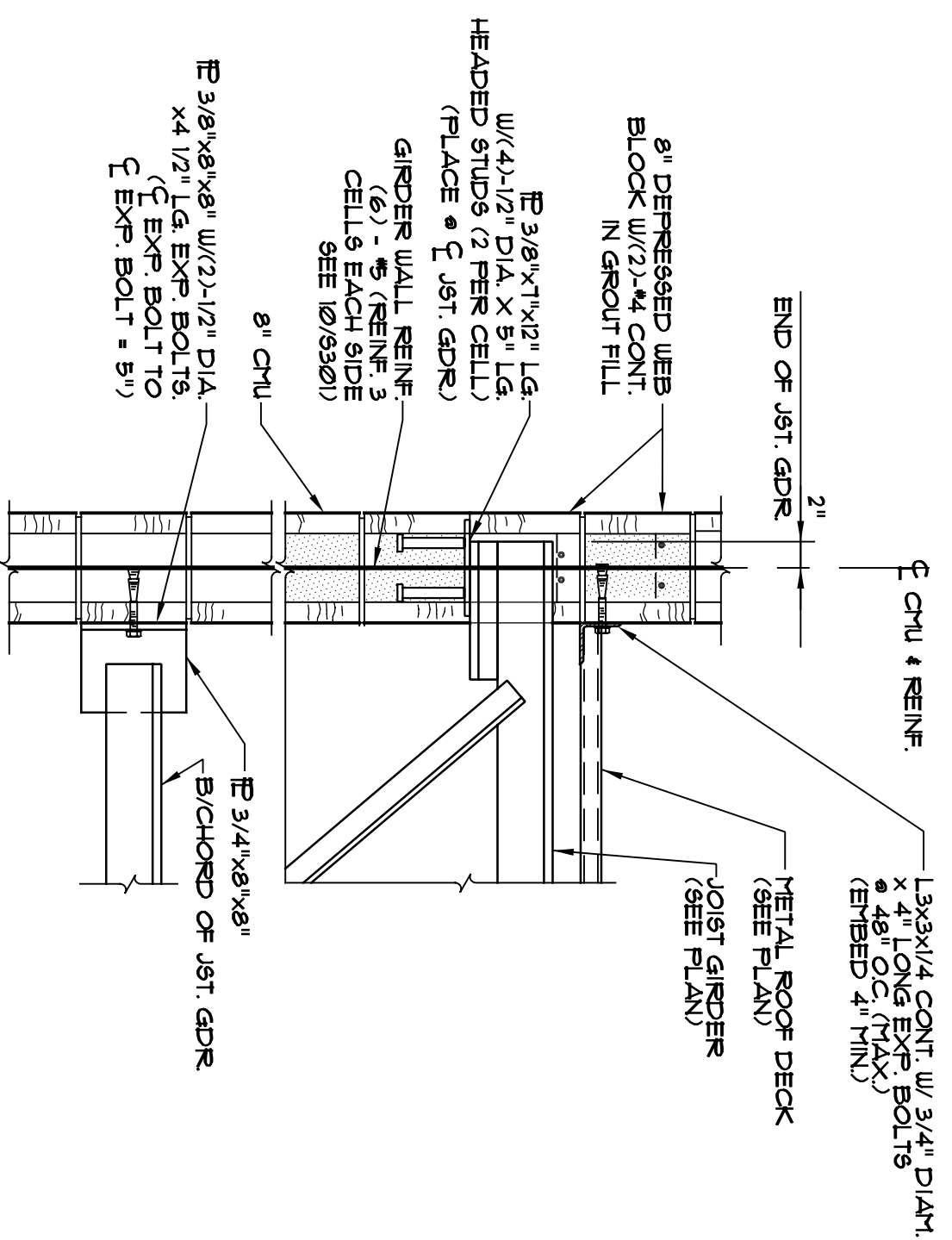
DETAIL 4
SCALE: 1" = 1'-0" (S401)

5

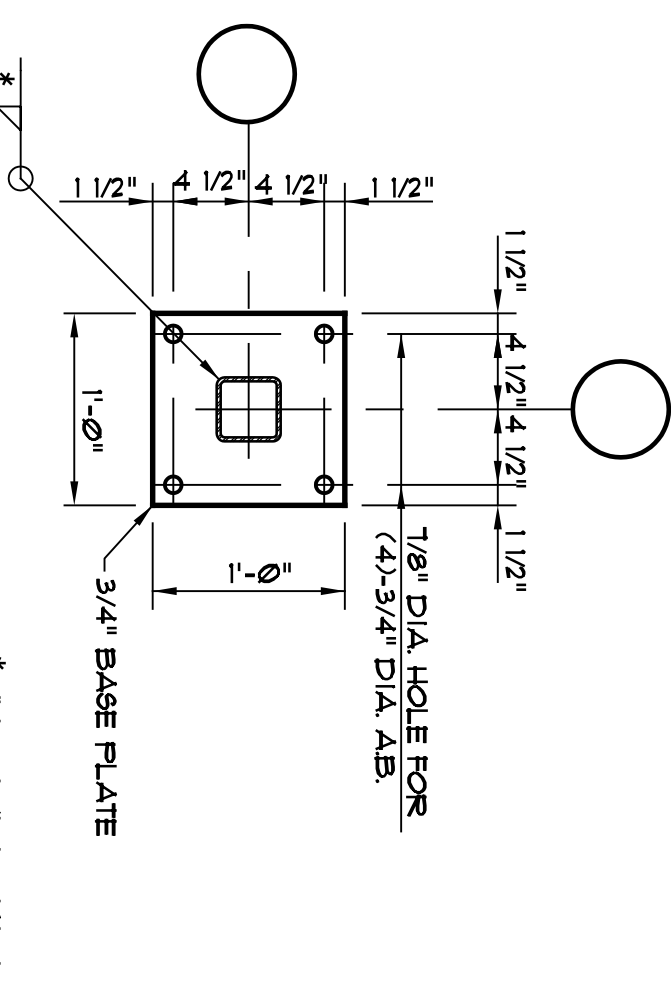


"TYPICAL STEEL BEAM BEARING ON CMU WALL"

DETAIL 5
SCALE: 1" = 1'-0" (S401)



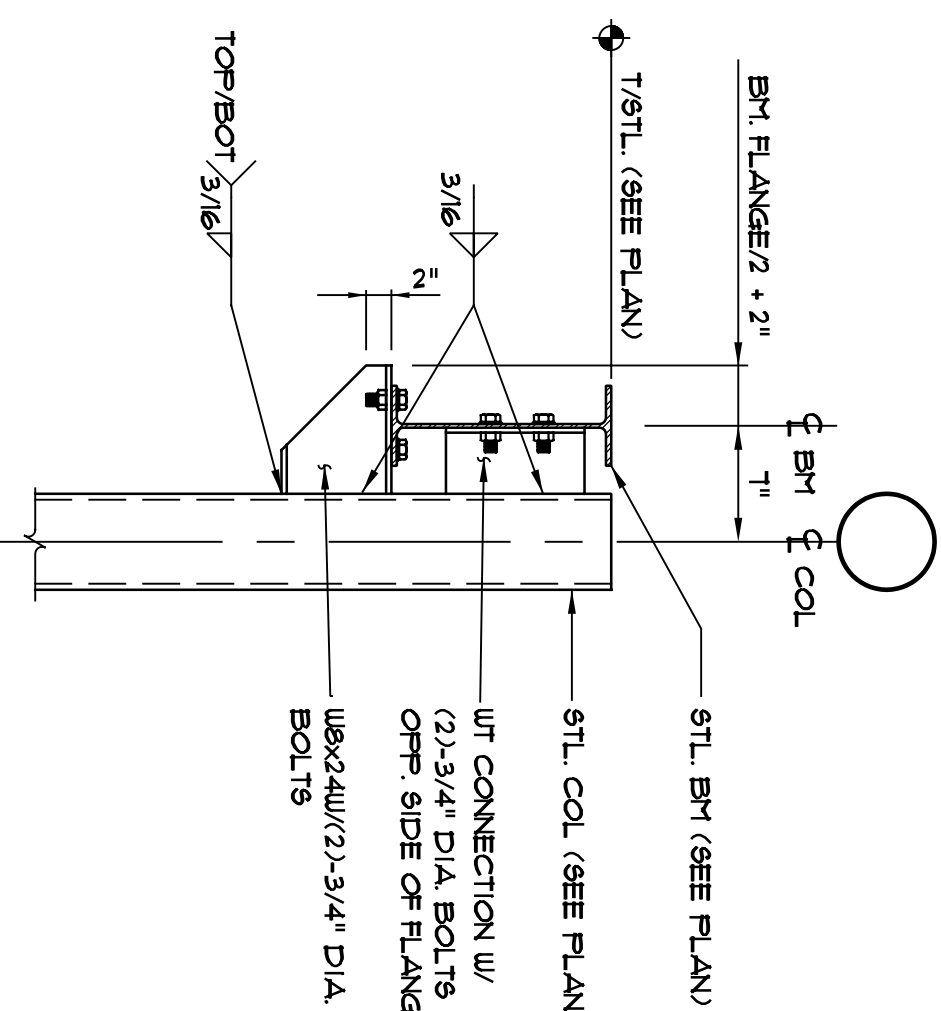
SECTION 6
SCALE: 1" = 1'-0" (S401)



"TYP. BASE PL"

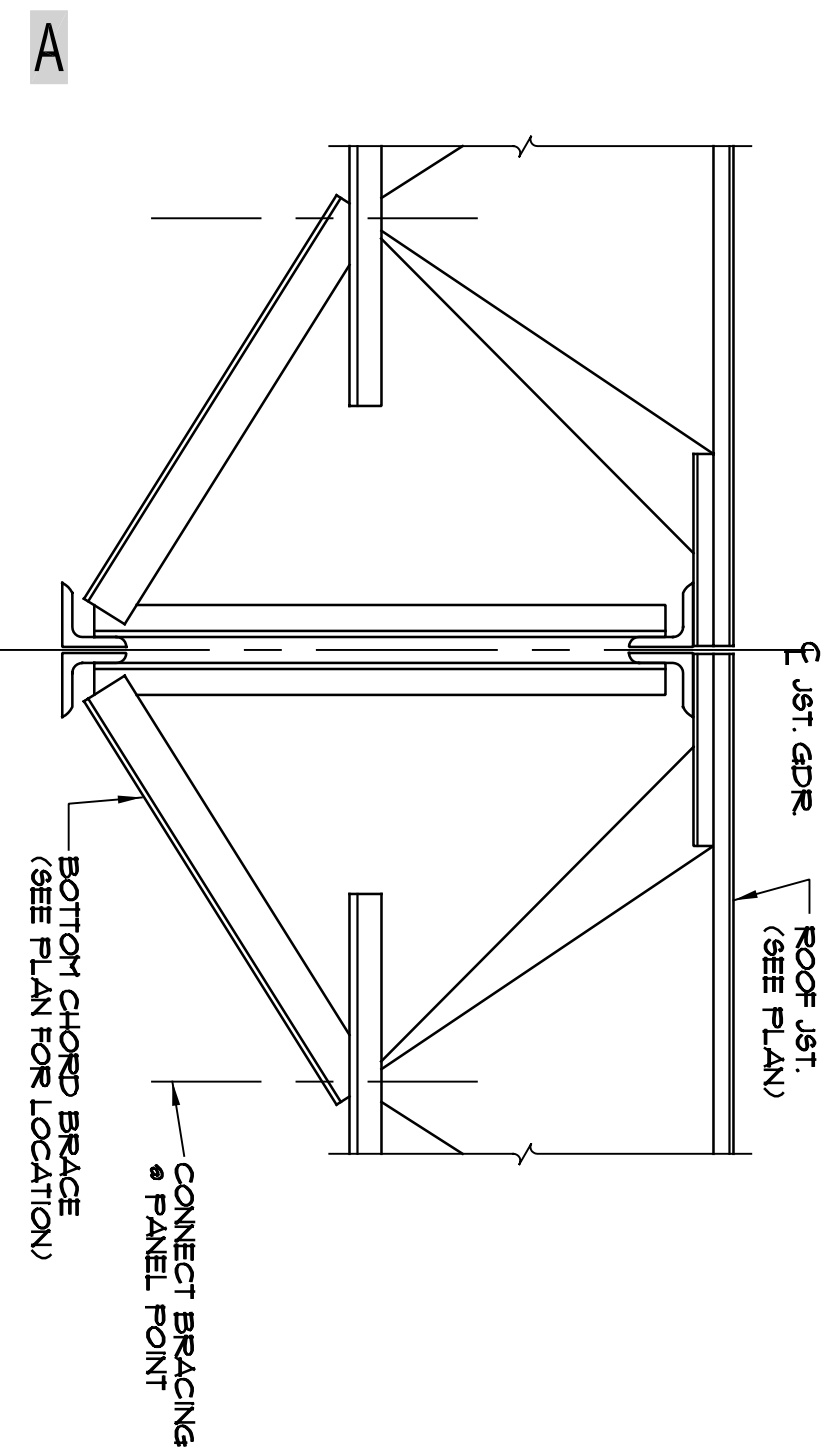
* WELD SIZE EQUAL TO COL. WALL THICKNESS

DETAIL 7
SCALE: 1" = 1'-0" (S401)



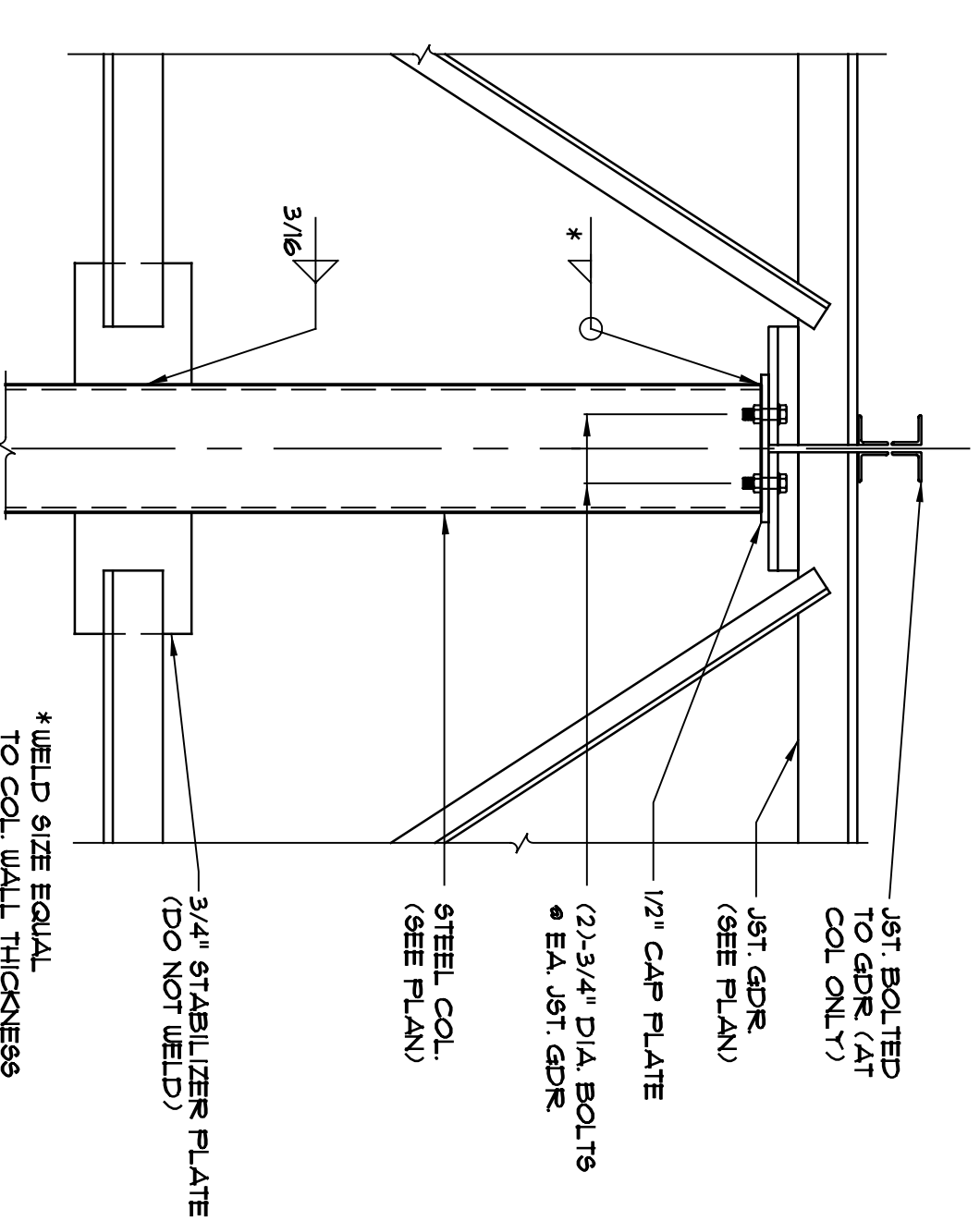
"TYP. BEAM SEAT CONNECTION"

DETAIL 8
SCALE: 1" = 1'-0" (S401)



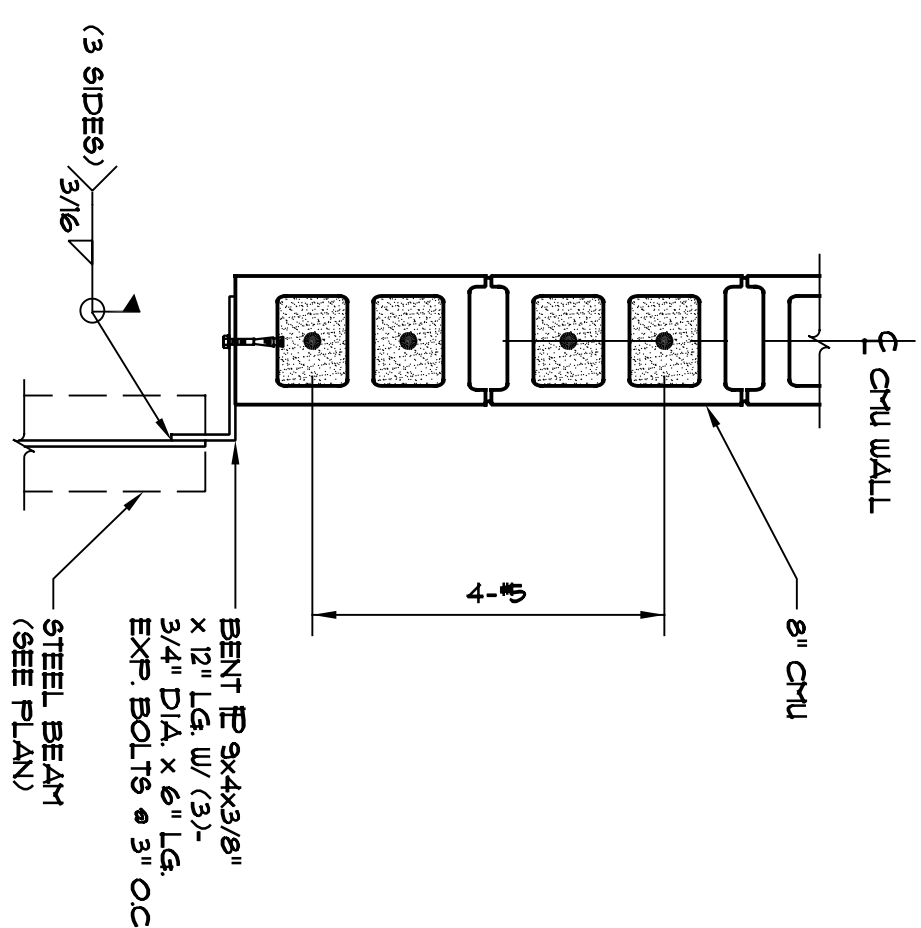
"TYP. JOIST GDR B/CHORD BRACE"

DETAIL 9
SCALE: 1" = 1'-0" (S401)

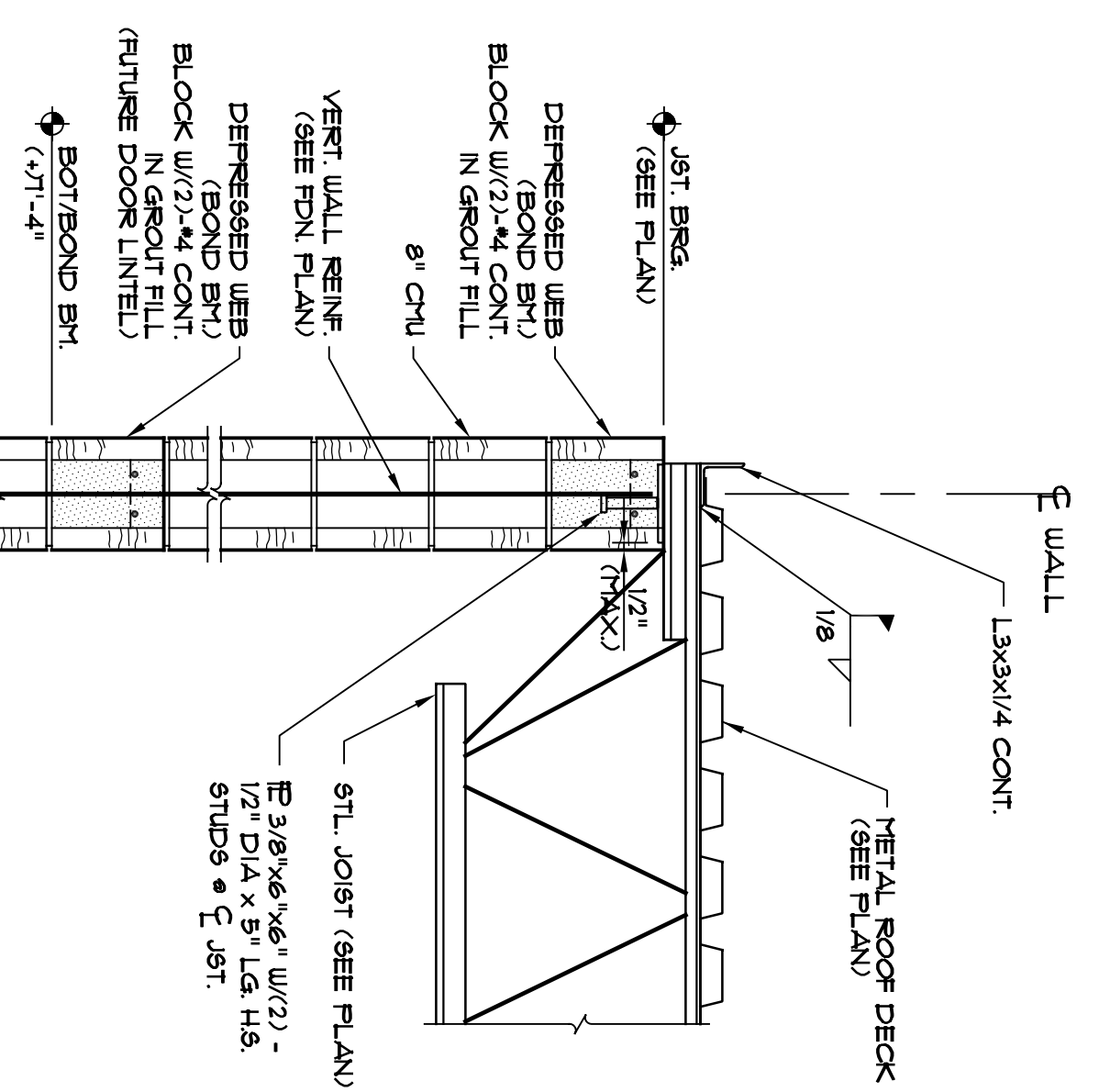


"TYP. JOIST GDR TO COLUMN CONN."

DETAIL 10
SCALE: 1" = 1'-0" (S401)



DETAIL 11
SCALE: 1" = 1'-0" (S401)



SECTION 12
SCALE: 1" = 1'-0" (S401)

1

2

3

4

5