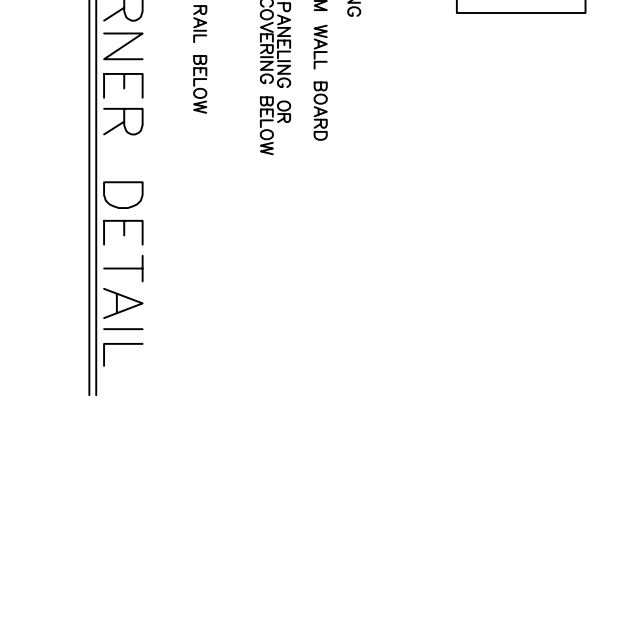
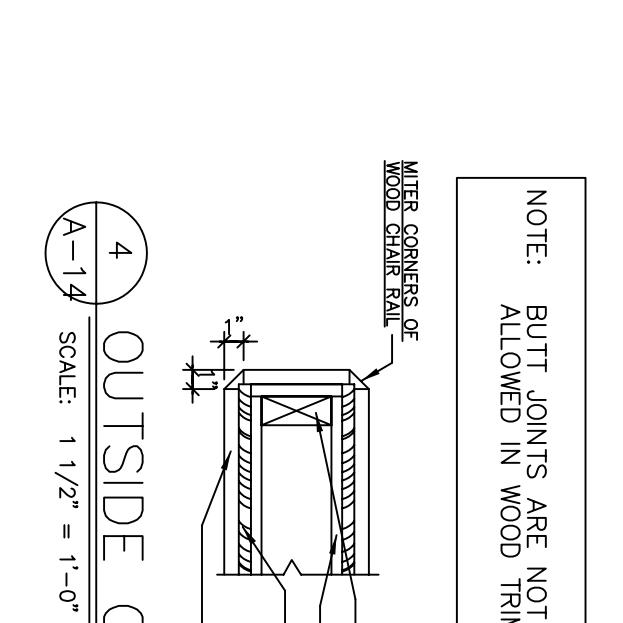
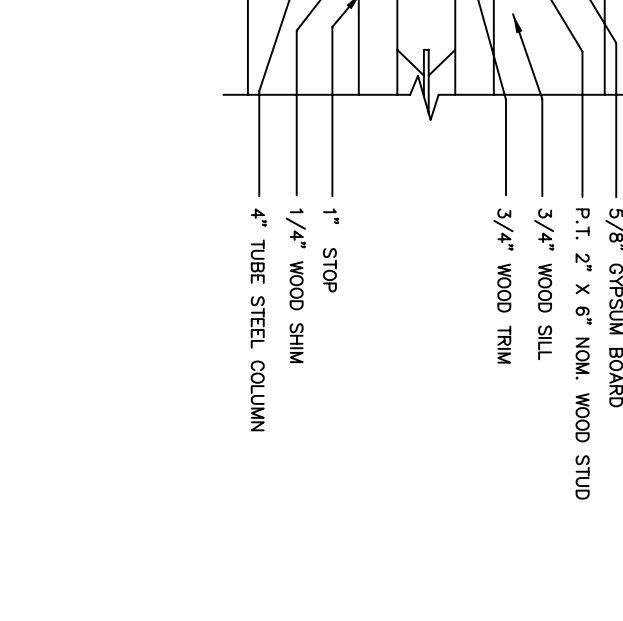
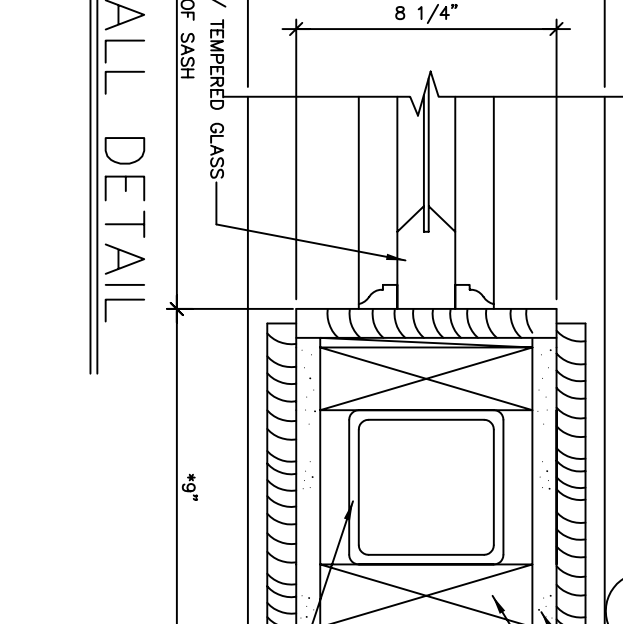
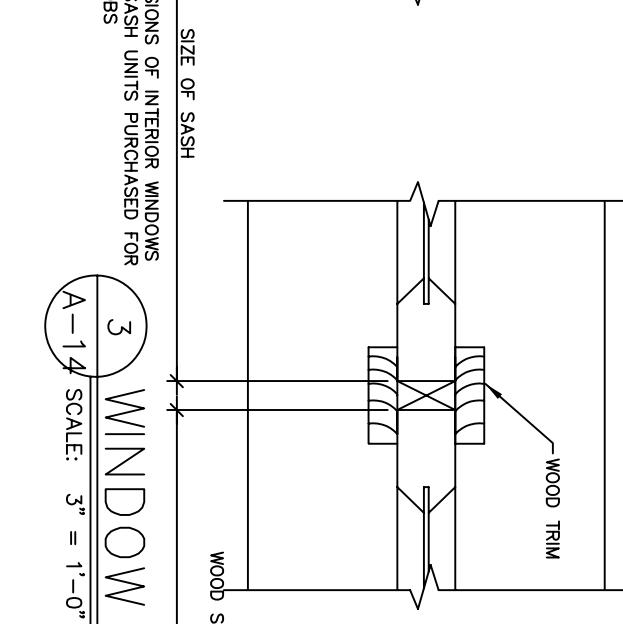
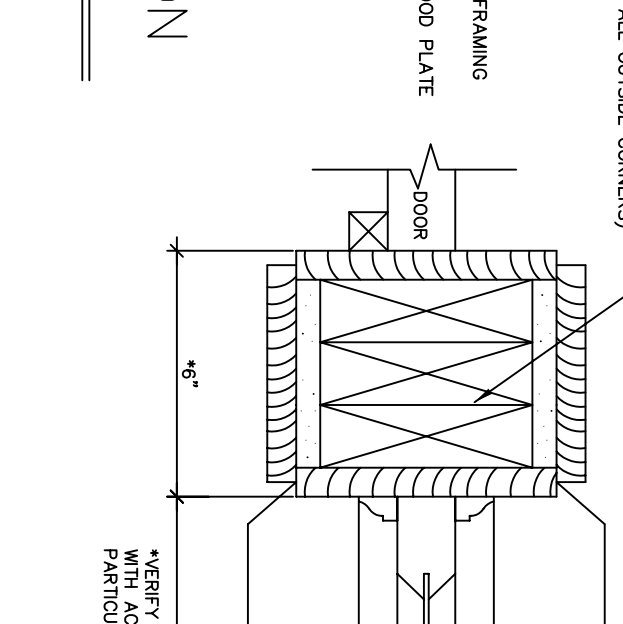
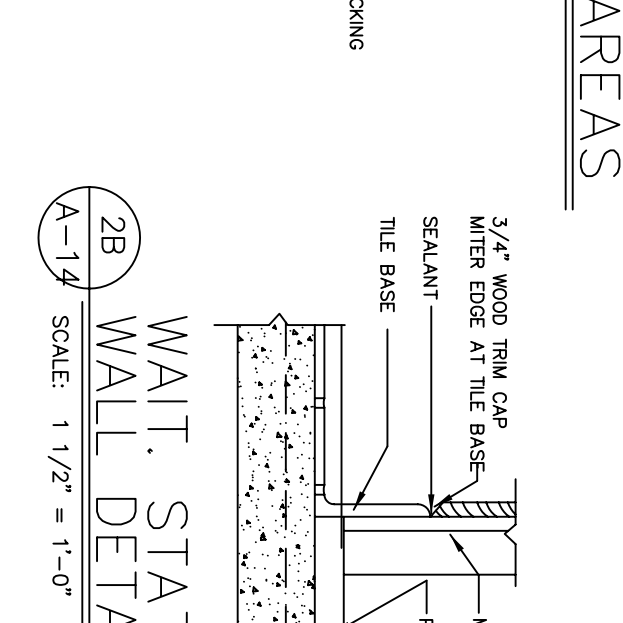
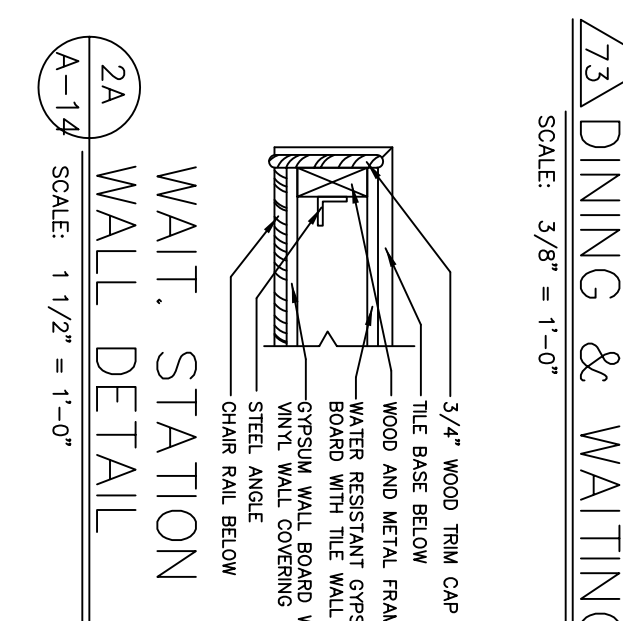
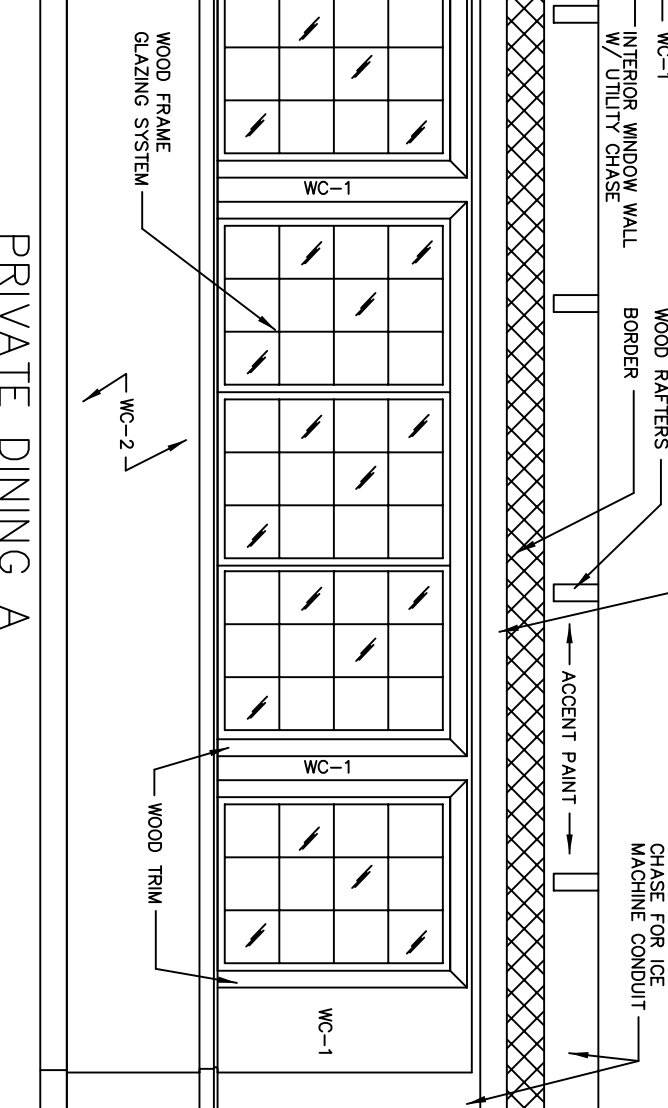
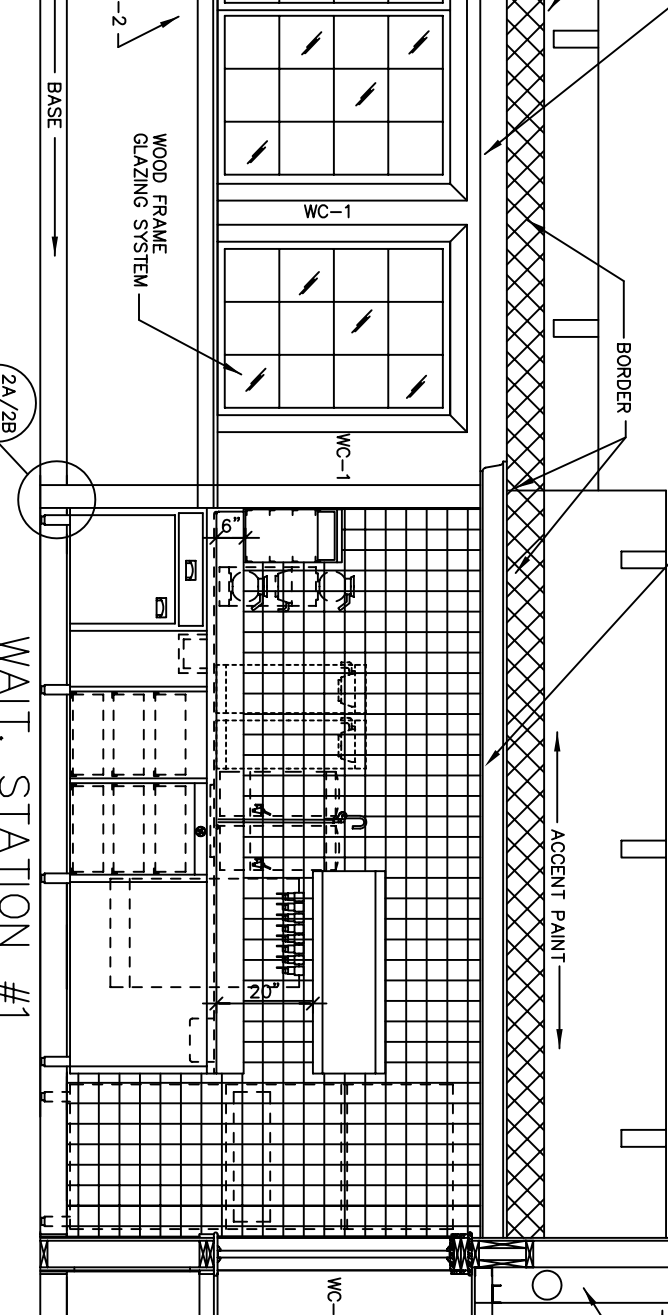
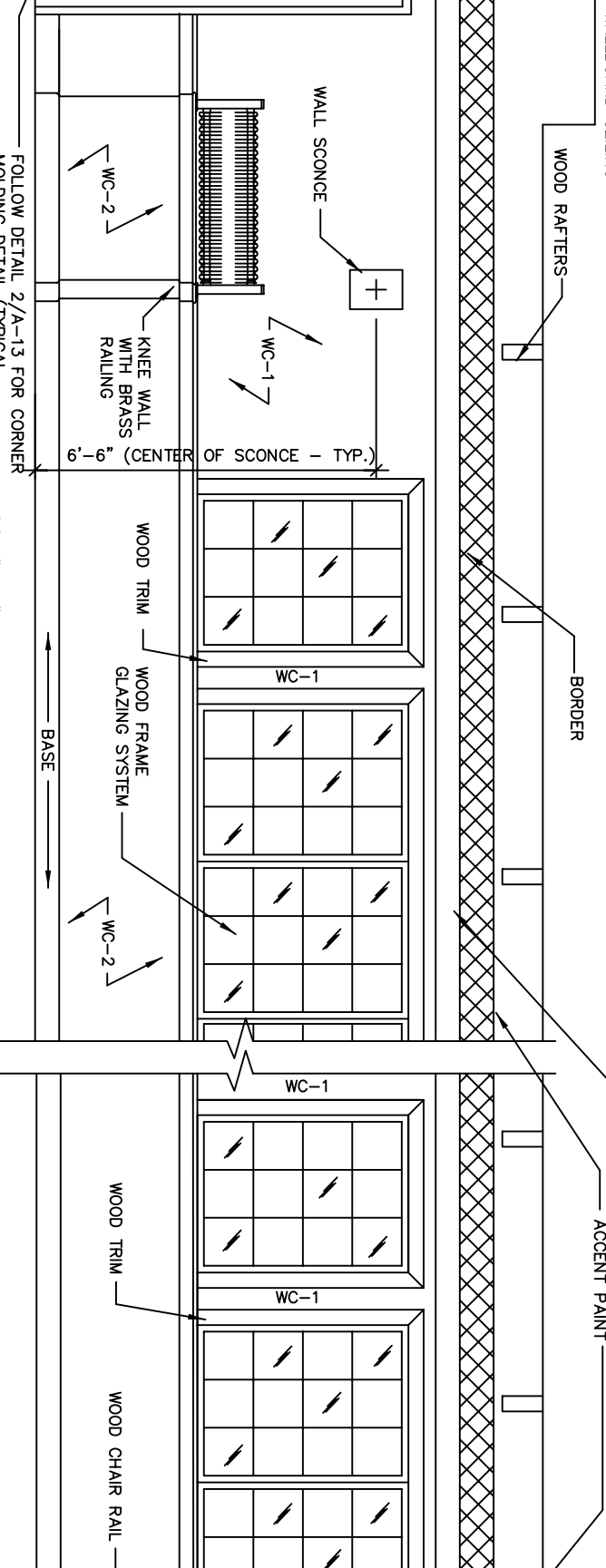
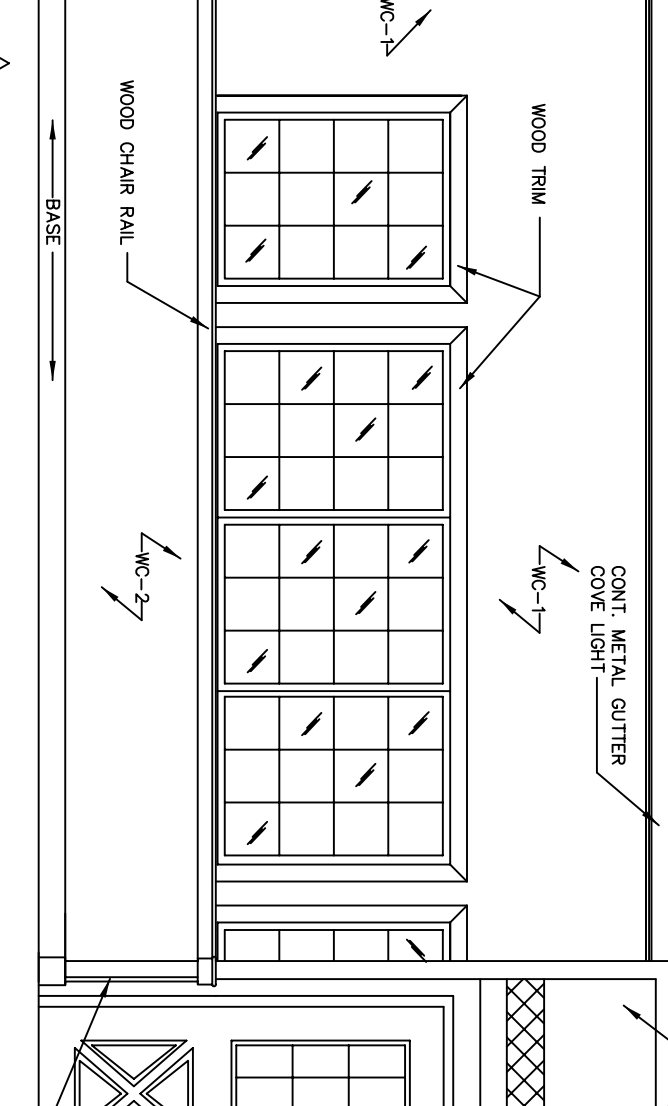
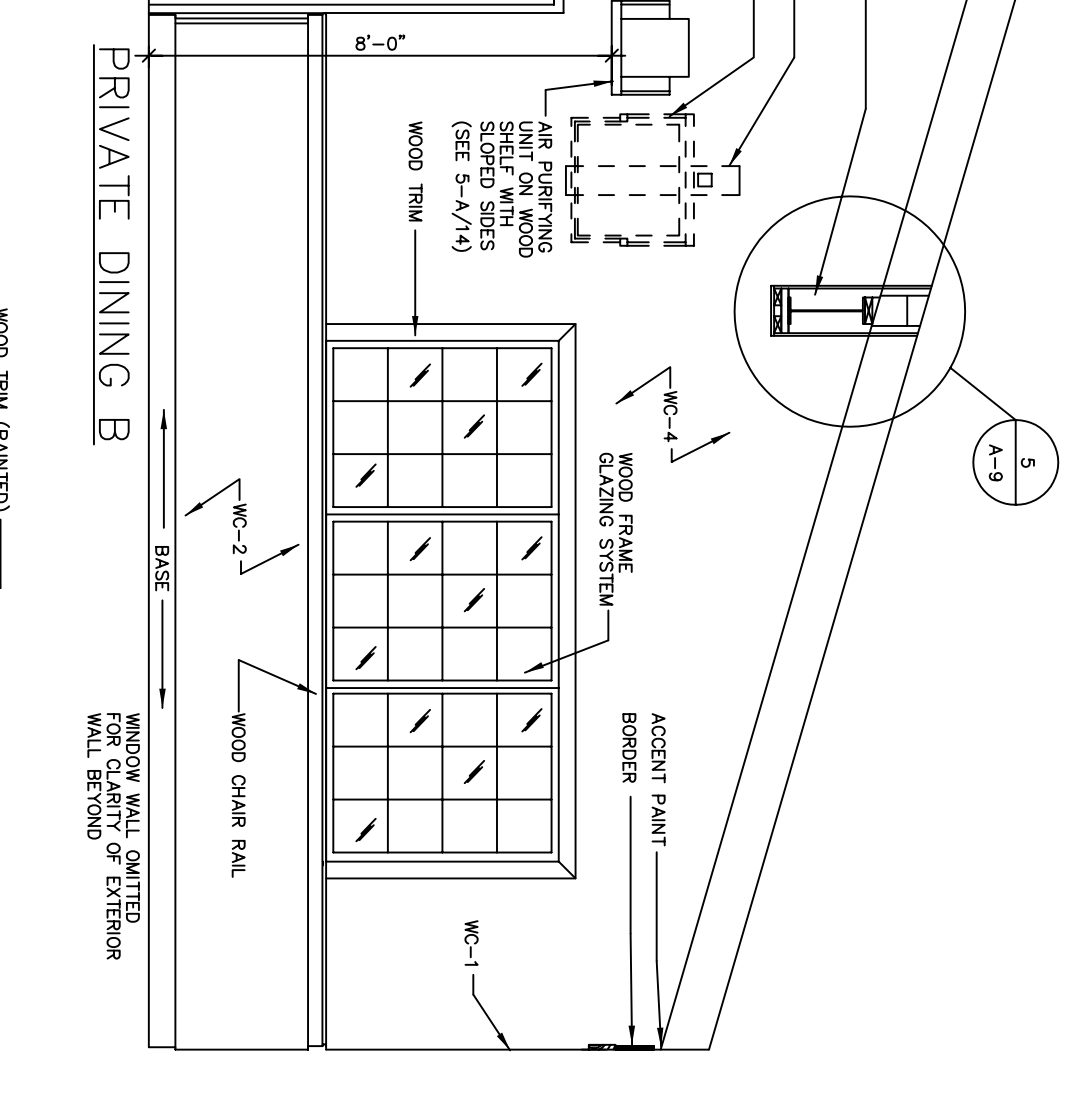
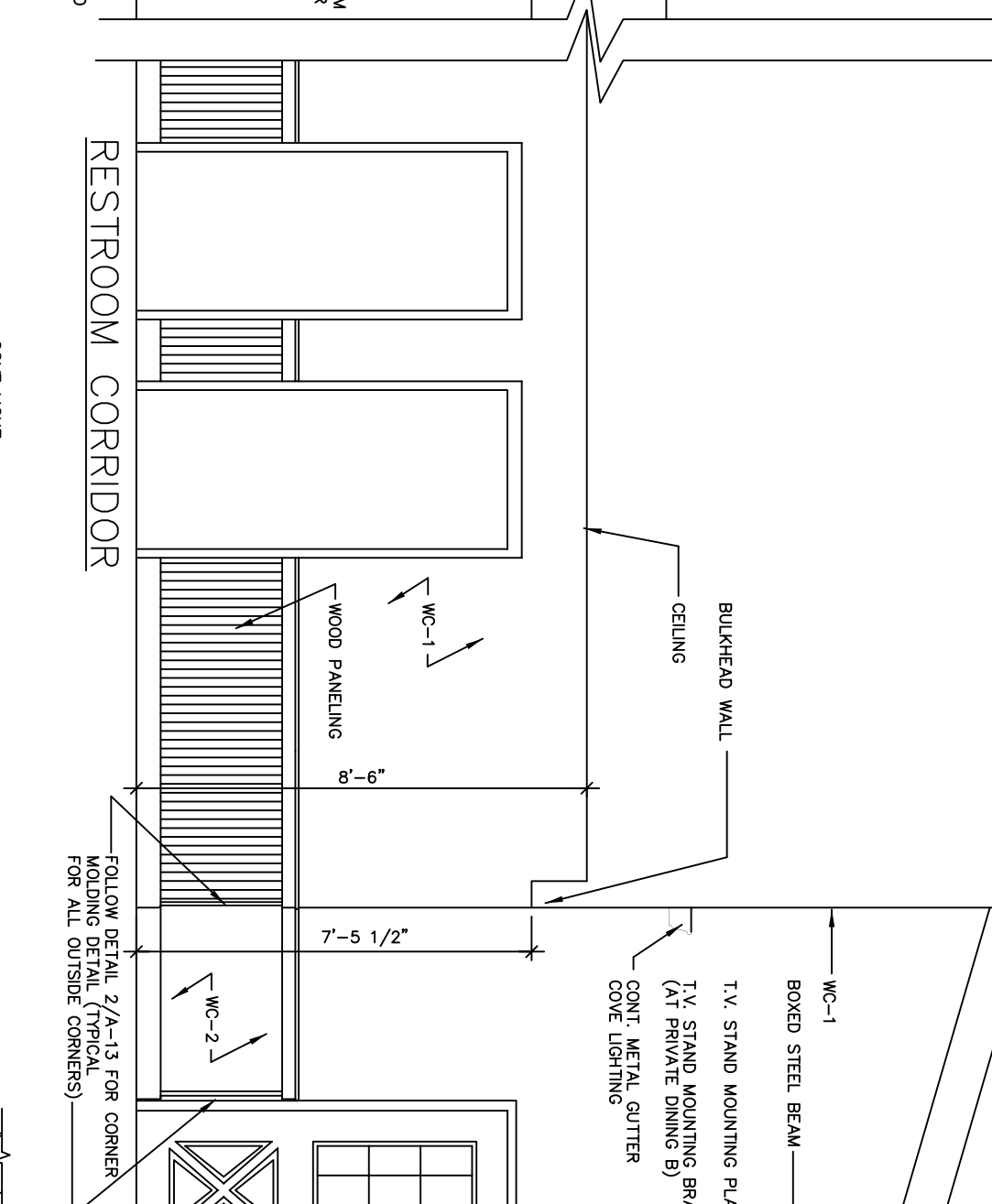
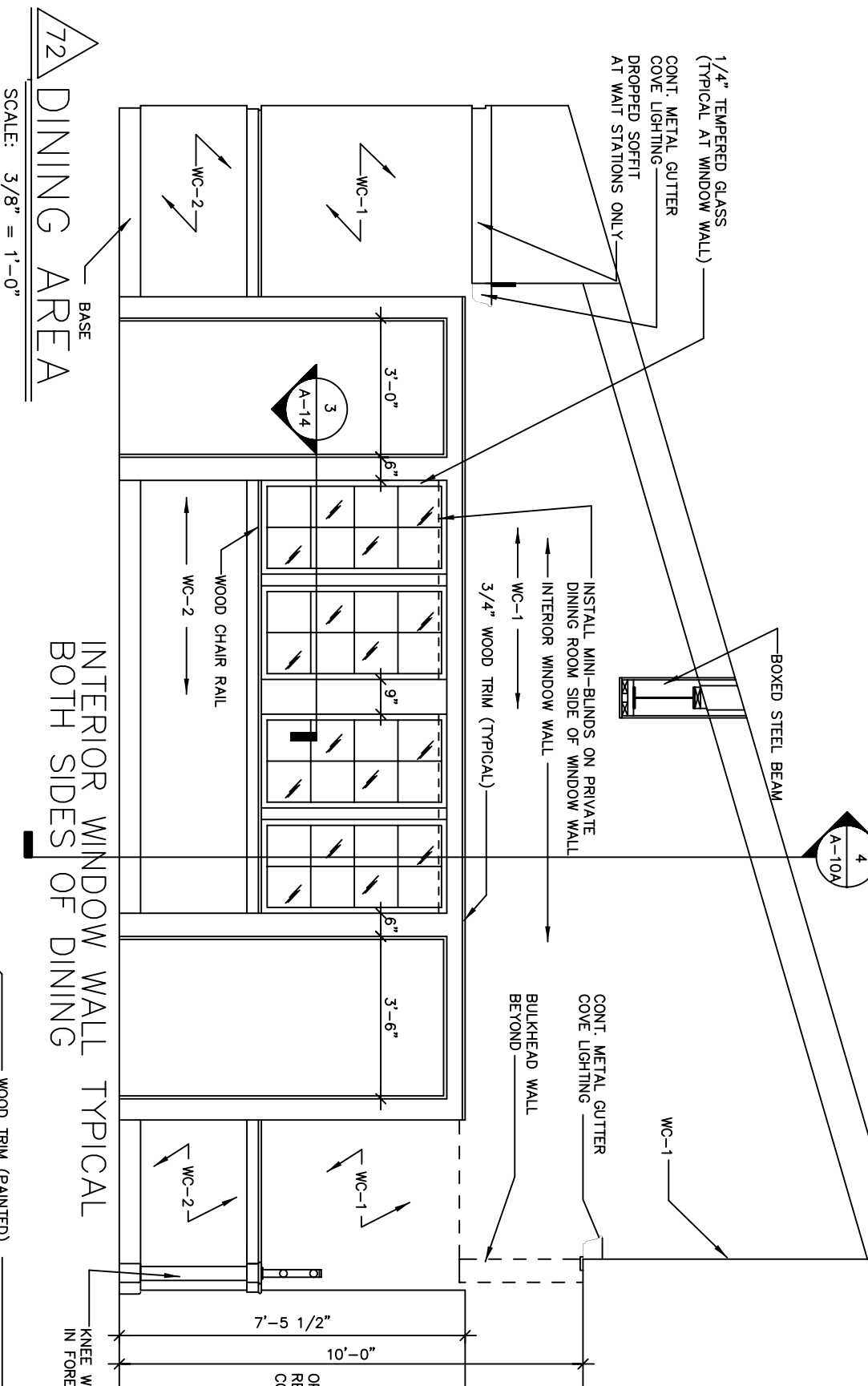
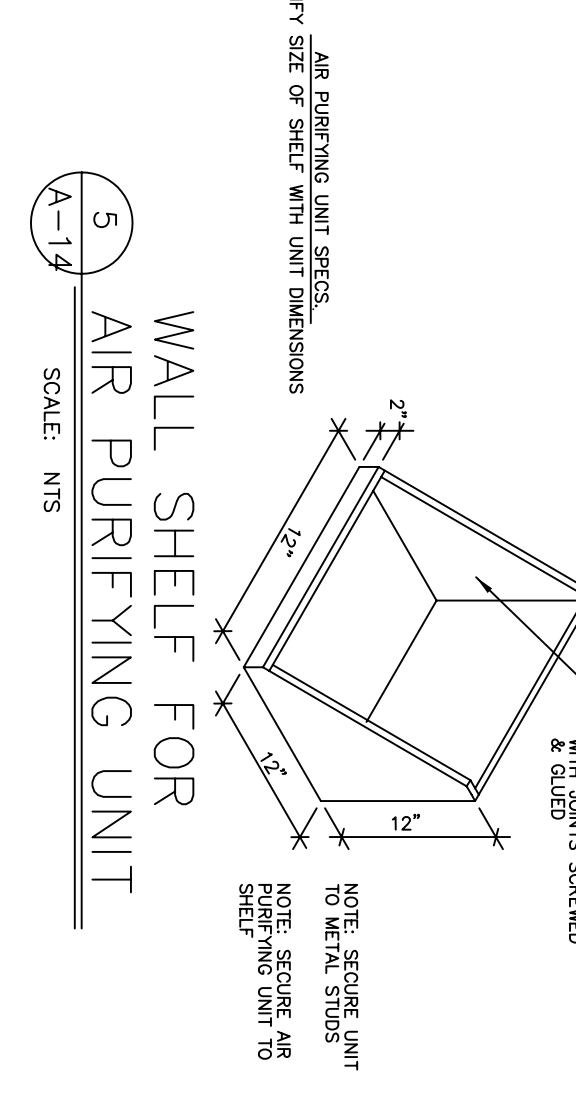
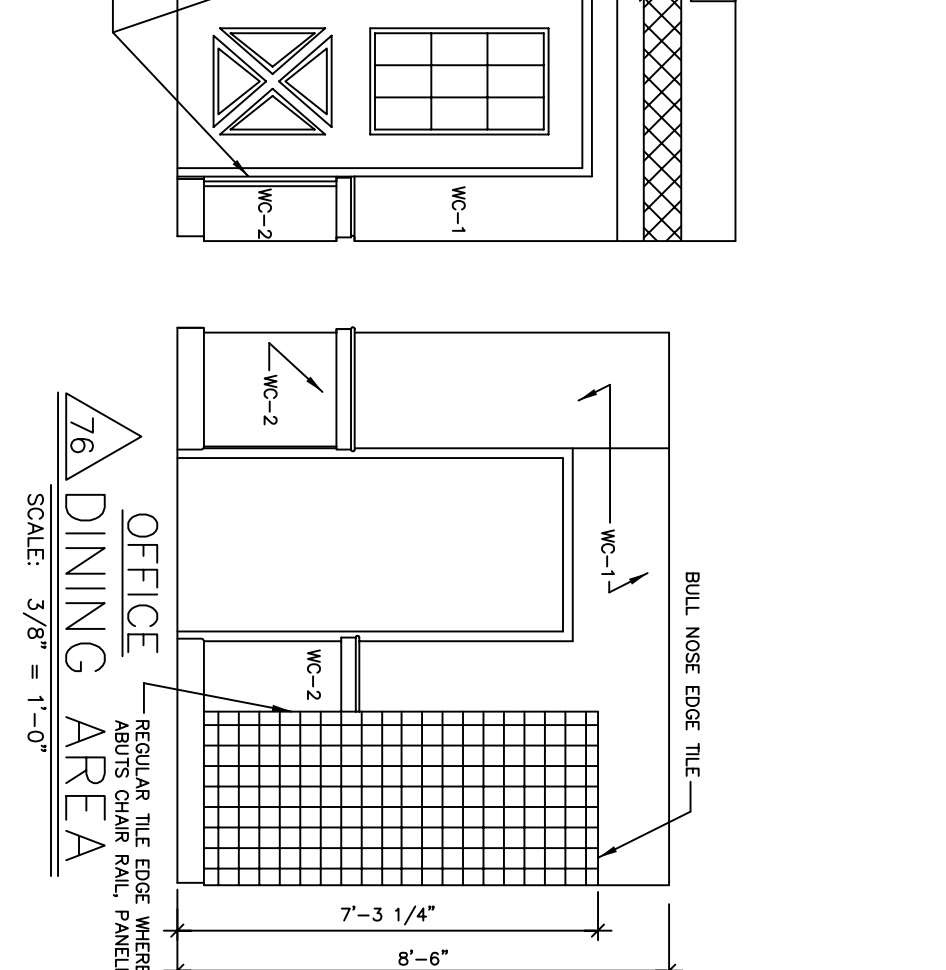
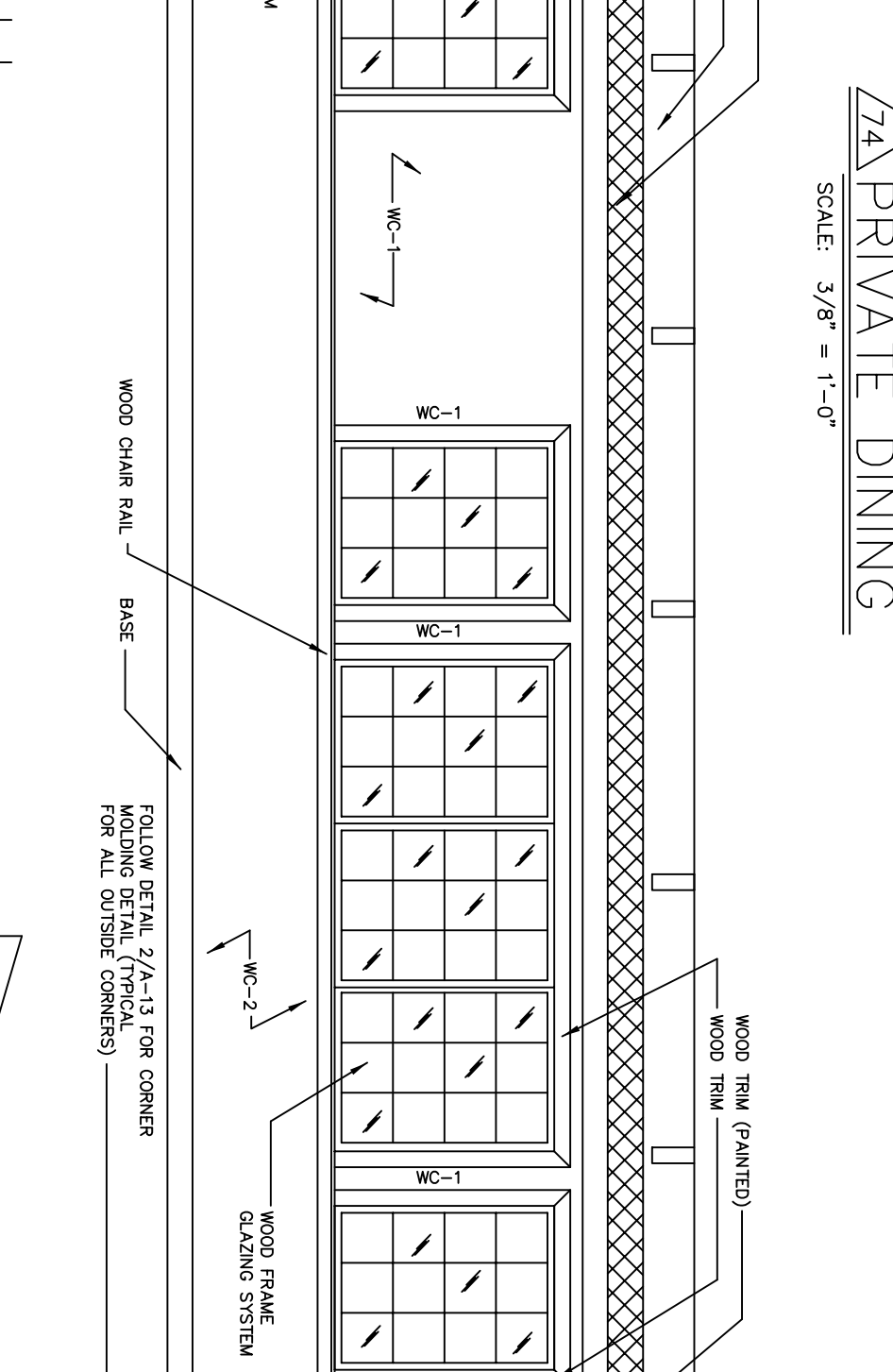
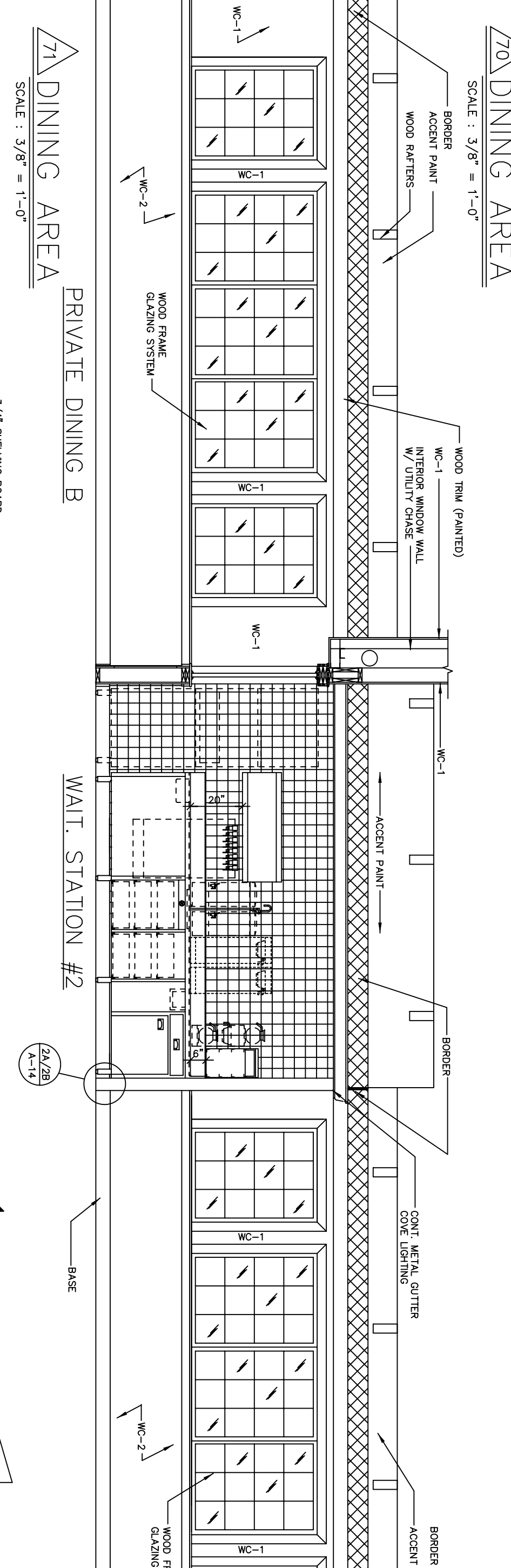
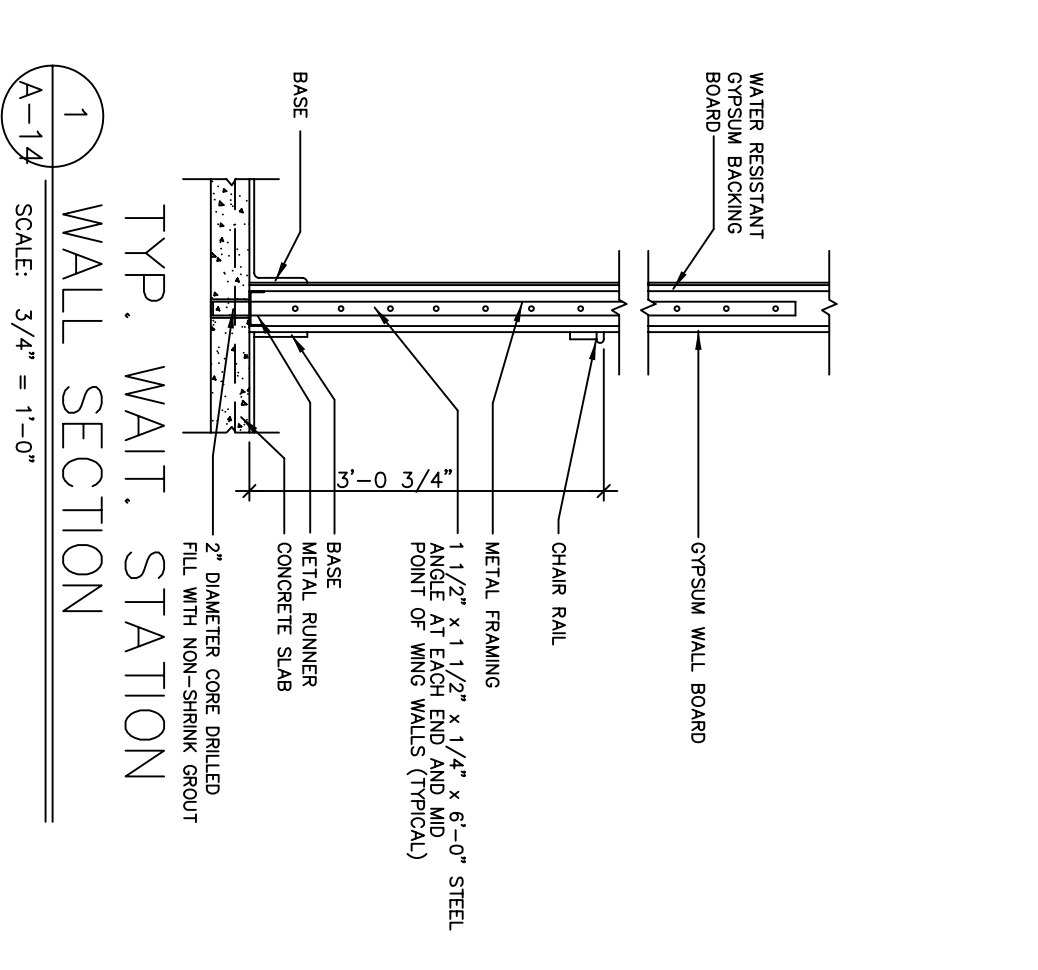
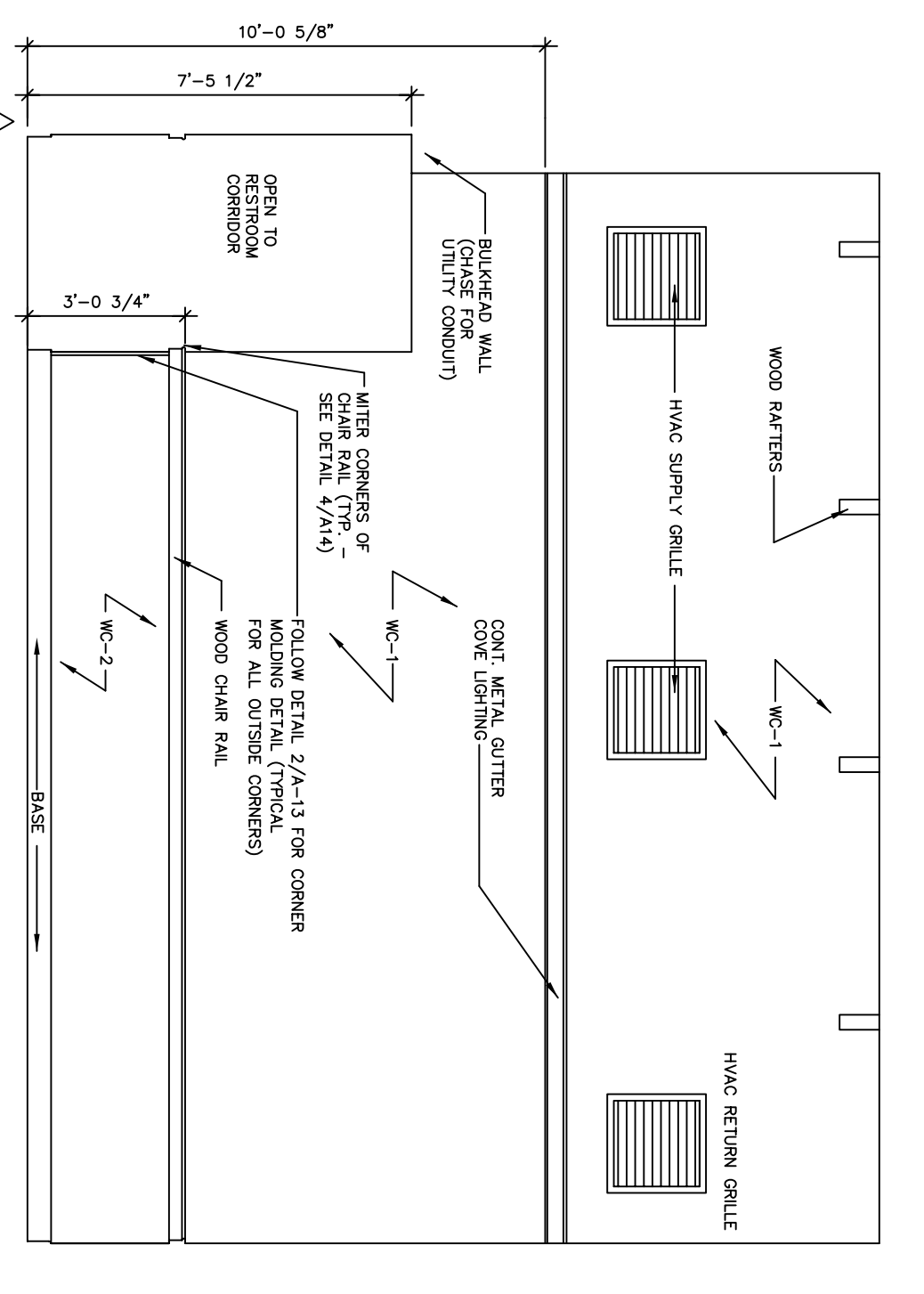
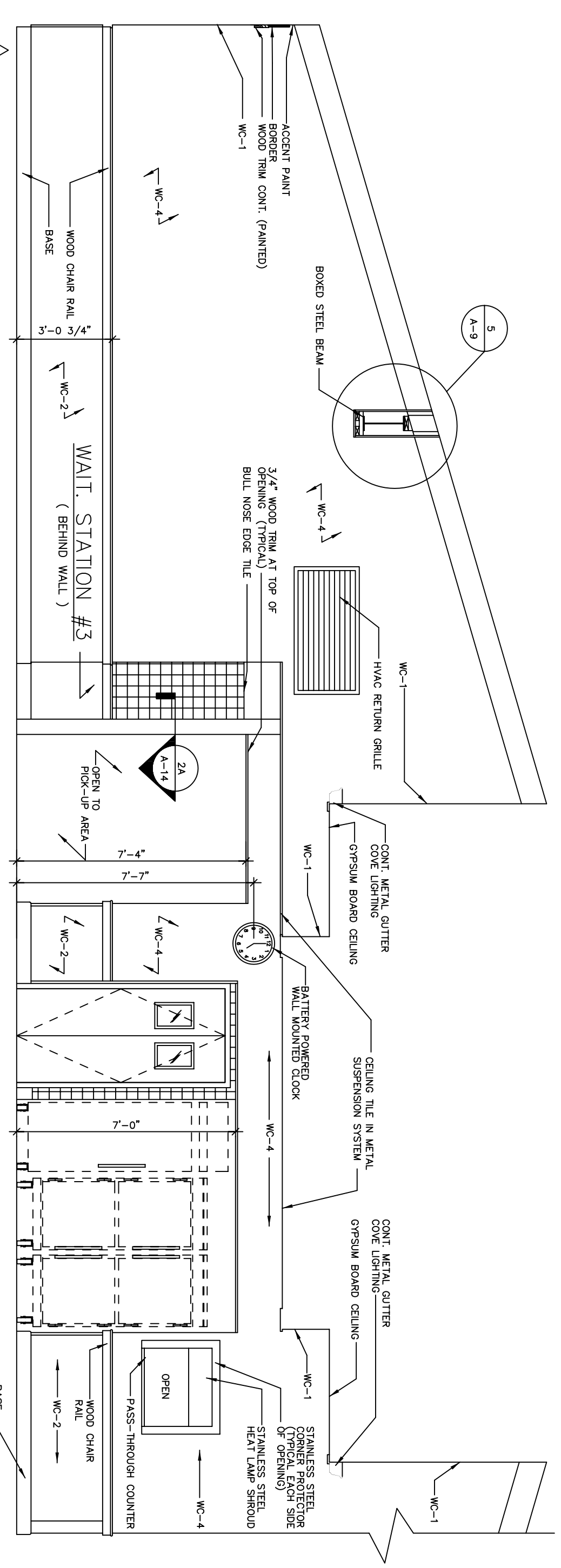


GENERAL NOTES:

1. FOLLOW REQUIREMENTS ON A-1 FOR WOOD BLOCKING.
2. FOLLOW A-2 AND FINISH SCHEDULE IN SPECIFICATIONS FOR COLOR AND LOCATION.
3. FOLLOW A-3-A-4 FOR CORE LIGHTING DETAILS.
4. FOLLOW FINISH SCHEDULE IN SPECIFICATIONS FOR WOOD TRIM, PAINTING, SELECTION & FINISH.



REVISIONS

REV.	DESCRIPTION	DATE	BY
A			R.A.D.

RYAN'S FAMILY STEAK HOUSES, INC.
199 HUNT STREET • GREEN, S.C. 29650 • (844) 873-1000

Ryan's
FAMILY STEAK HOUSE

INTERIOR ELEVATIONS DINING

DESIGNED: R.A.D. DATE: 07-09-99
STORE TYPE: PT9L DRAWING NO: A-14