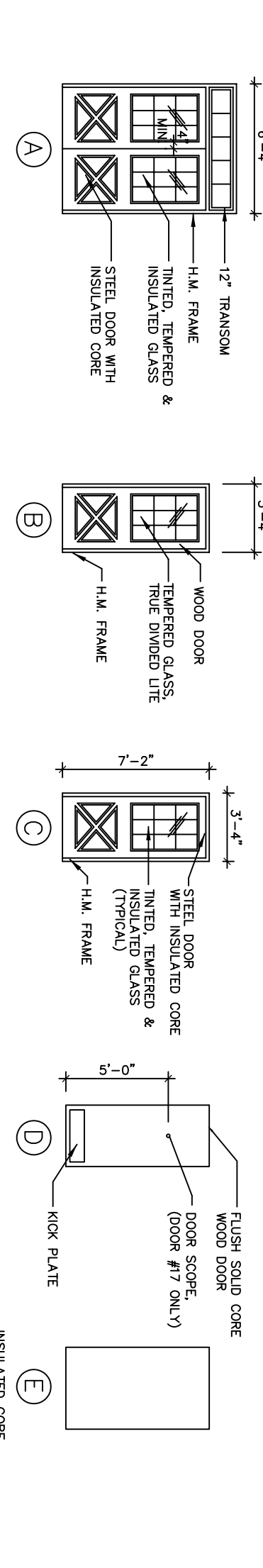


GENERAL NOTES:

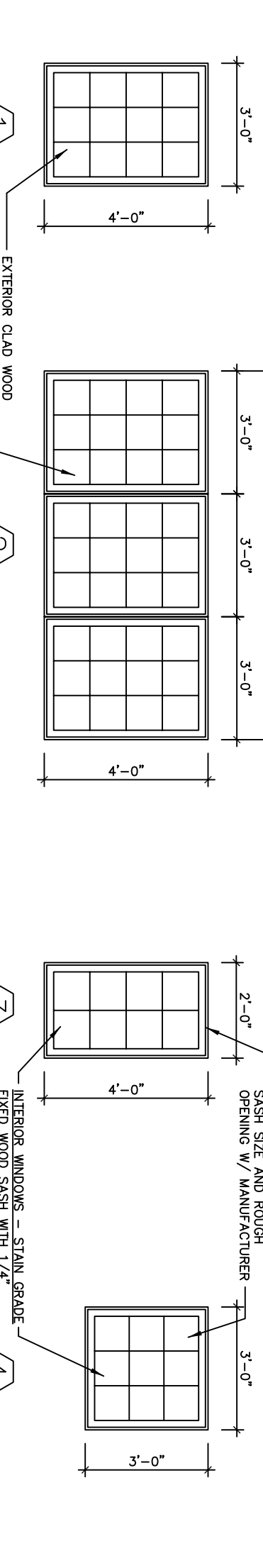
- CONTRACTOR TO SUPPLY 6" X 6" X 3/4" STAINLESS STEEL TO COVER TOP SURFACE OF DOOR FROM MAIN ROOM.
- CONTRACTOR TO INSTALL SINS SUPPLIED BY OWNER.
- NOT USED
- NOT USED
- NOT USED
- KITCHEN & BATH STALL DOOR JAMS TO BE HOSPITAL.
- THIS IS DRAWING IS NOT TO BE USED FOR CONSTRUCTION.
- NOT USED
- ELIASON DOORS (MODEL 50P-8) TO BE MOUNTED TO FRAMES WITH 1/4" X 3/4" KEYS. HANGING SCHEMES TO BE DETERMINED BY MANUFACTURER. SEE DRAWING PLATES FOR 5/8" WOOD SCREWS AND STEEL SPACERS.
- DOOR STOPS SHALL BE USED AT ROOM AND WINDOW OPENINGS.
- TURN BRICK AS NECESSARY TO ACHIEVE 1" MINIMUM CLEARANCE BETWEEN DOOR AND BRICK.
- FRAMES AT ALL INTERIOR DOORS.
- NOT USED
- PAIN ALL EXPOSED BRICK ANGLES AND PLATES.

DOOR SCHEDULE

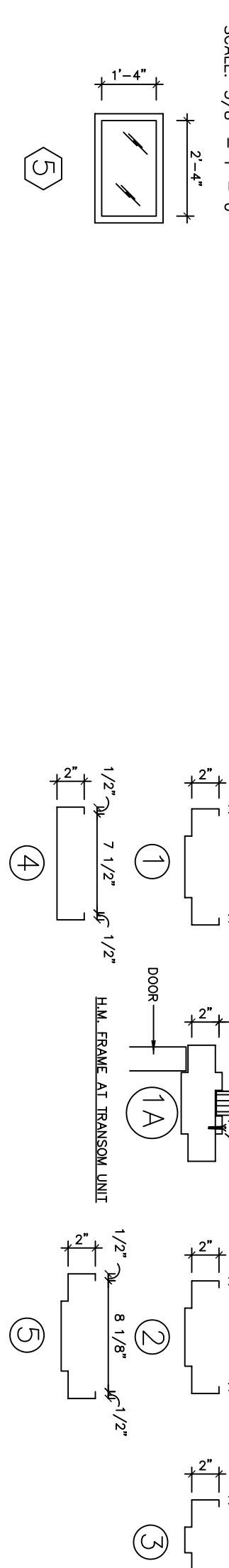
DOOR NO.	ROOM NAME	SIZE	MATERIAL	FRAME			GLASS	HARDWARE SET NO. (SEE SPECS.)	SIGNAGE	OTHER REQUIREMENTS	
				HEAD	JAMB	SILL					
1	ENTRY	(2) 3'-0" x 7'-0" x 1 3/4"	STEEL	4	5 & 5d	6	1/1A	HAUF	1	SEE SN DRAWING @ THIS LOCATION	INSULATED GLASS SHALL HAVE MAINTN BARS INSTALLED BETWEEN GLASS.
2	ENTRY	(2) 3'-0" x 7'-0" x 1 3/4"	STEEL	4	5 & 5d	6	1/1A	HAUF	1	SEE SN DRAWING @ THIS LOCATION	INSULATED GLASS SHALL HAVE MAINTN BARS INSTALLED BETWEEN GLASS.
3	NOT USED										
4	NOT USED										
5	NOT USED										
6	EMERGENCY EXIT	3'-0" x 7'-0" x 1 3/4"	STEEL	4	5 & 5d	6	1	HAUF	4	SEE SN DRAWING @ THIS LOCATION	INSULATED GLASS SHALL HAVE MAINTN BARS INSTALLED BETWEEN GLASS.
7	EMERGENCY EXIT	3'-0" x 7'-0" x 1 3/4"	STEEL	4	5 & 5d	6	1	HAUF	4	SEE SN DRAWING @ THIS LOCATION	INSULATED GLASS SHALL HAVE MAINTN BARS INSTALLED BETWEEN GLASS.
8	MEN'S RESTROOM	3'-0" x 6'-8" x 1 3/4"	SOLID CORE WOOD	13	14	25	2	---	5	SEE SN DRAWING @ THIS LOCATION	
9	WOMEN'S RESTROOM	3'-0" x 6'-8" x 1 3/4"	SOLID CORE WOOD	13	14	25	2	---	5	SEE SN DRAWING @ THIS LOCATION	
10	STALL DOOR	2'-0" x 5'-4" x 1 3/4"	SOLID CORE WOOD	19	20	22	3	---	7	SEE SN DRAWING @ THIS LOCATION	
11	STALL DOOR	2'-0" x 5'-4" x 1 3/4"	SOLID CORE WOOD	19	20	22	3	---	7	SEE SN DRAWING @ THIS LOCATION	
12	STALL DOOR (H)	2'-0" x 5'-4" x 1 3/4"	SOLID CORE WOOD	19	20	22	3	---	7	SEE SN DRAWING @ THIS LOCATION	
13	STALL DOOR (H)	3'-0" x 5'-4" x 1 3/4"	SOLID CORE WOOD	19	20	22	3	---	7	SEE SN DRAWING @ THIS LOCATION	
14	STALL DOOR (H)	2'-0" x 5'-4" x 1 3/4"	SOLID CORE WOOD	19	20	22	3	---	7	SEE SN DRAWING @ THIS LOCATION	
15	STALL DOOR (H)	2'-0" x 5'-4" x 1 3/4"	SOLID CORE WOOD	19	20	22	3	---	7	SEE SN DRAWING @ THIS LOCATION	
16	EMERGENCY EXIT	3'-0" x 7'-0" x 1 3/4"	STEEL	4	5 & 5d	6	5	HAUF	4	SEE SN DRAWING @ THIS LOCATION	INSULATED GLASS SHALL HAVE MAINTN BARS INSTALLED BETWEEN GLASS.
17	OFFICE	3'-0" x 6'-8" x 1 3/4"	SOLID CORE WOOD	13	14	15	3	---	8	SEE SN DRAWING @ THIS LOCATION	
18	CHEMICAL ROOM	2'-6" x 6'-8" x 1 3/4"	HOLLOW METAL	13	14	15	2	---	8	SEE SN DRAWING @ THIS LOCATION	
19	MECHANICAL ROOM	4'-0" x 7'-0" x 1 3/4"	HOLLOW METAL	1	2 & 2d	3	5	---	9	SEE SN DRAWING @ THIS LOCATION	
20	WOMEN'S RESTROOM	3'-0" x 6'-8" x 1 3/4"	HOLLOW METAL	13	14	15	2	---	10	SEE SN DRAWING @ THIS LOCATION	
21	TEAM MEMBER ALCOVE	3'-0" x 6'-8" x 1 3/4"	HOLLOW METAL	16-SM	17	18	4	---	10	SEE SN DRAWING @ THIS LOCATION	
22	MEN'S RESTROOM	3'-0" x 6'-8" x 1 3/4"	HOLLOW METAL	13	14	15	2	---	10	SEE SN DRAWING @ THIS LOCATION	
23	DRY STORAGE	3'-6" x 6'-8" x 1 3/4"	HOLLOW METAL	13	14	15	2	---	11	SEE SN DRAWING @ THIS LOCATION	
24	ELECTRICAL ALCOVE	3'-4" x 6'-10" (C.O.)	STAINLESS STL					---	---	---	
25	REAR EXIT	3'-6" x 7'-0" x 1 3/4"	HOLLOW METAL	1	2 & 2d	3d	1	---	12	SEE SN DRAWING @ THIS LOCATION	
26	MEAT ROOM	3'-6" x 6'-8" x 1 3/4"	HOLLOW METAL	13	14	15	2	---	13	SEE SN DRAWING @ THIS LOCATION	
27	COAT CLOSET	(2) 2'-0" x 6'-8" x 1 3/4"	SOLID CORE WOOD	13	14	15	3	---	18	SEE SN DRAWING @ THIS LOCATION	
28	HOT BARS	(2) 1'-6" x 6'-8" x 3/4"	ELIASON	16	11	18	4	10" x 15"	14	SEE SN DRAWING @ THIS LOCATION	
29	NOT USED										
30	KITCHEN / DISHWASH	3'-0" x 6'-8" x 3/4"	ELIASON	16	11	18	4	20" x 15"	15	SEE SN DRAWING @ THIS LOCATION	
31	KITCHEN / DISHWASH	3'-0" x 6'-8" x 3/4"	ELIASON	16	11	18	4	20" x 15"	15	SEE SN DRAWING @ THIS LOCATION	
32	DINING WINDOW WALL	3'-0" x 7'-0" x 1 3/4"	SOLID CORE WOOD	23	24	25	WOOD	---	16	SEE SN DRAWING @ THIS LOCATION	
33	DINING WINDOW WALL	3'-6" x 7'-0" x 1 3/4"	SOLID CORE WOOD	23	24	25	WOOD	---	16	SEE SN DRAWING @ THIS LOCATION	
34	DINING WINDOW WALL	3'-6" x 7'-0" x 1 3/4"	SOLID CORE WOOD	23	24	25	WOOD	---	16	SEE SN DRAWING @ THIS LOCATION	
35	DINING WINDOW WALL	3'-0" x 7'-0" x 1 3/4"	SOLID CORE WOOD	23	24	25	WOOD	---	16	SEE SN DRAWING @ THIS LOCATION	



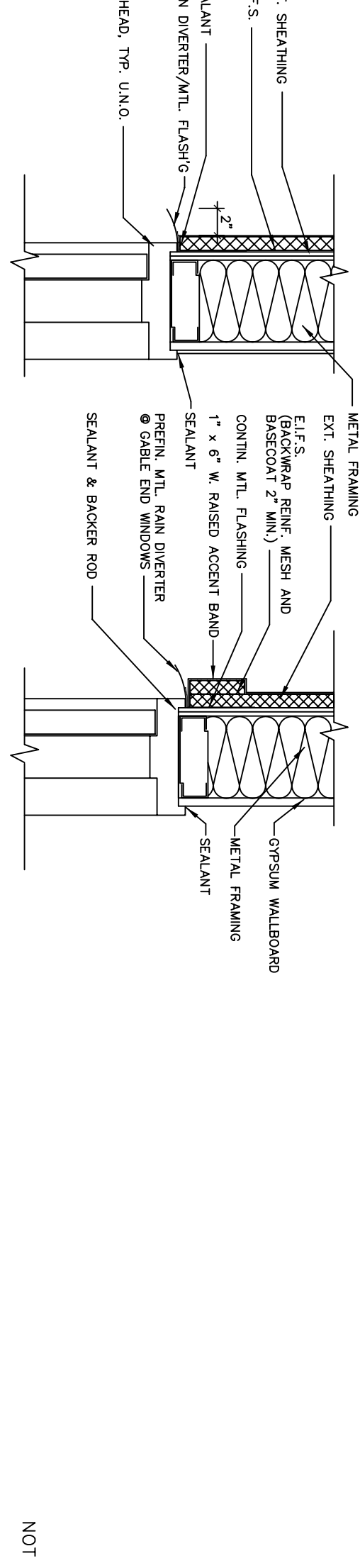
DOOR TYPES



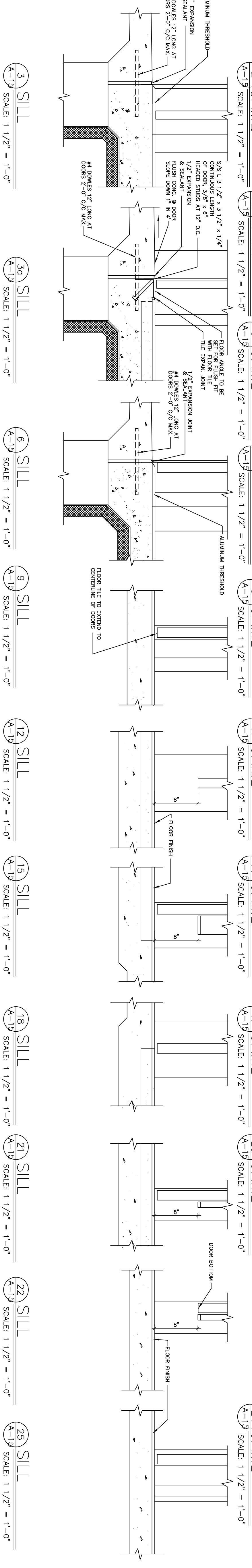
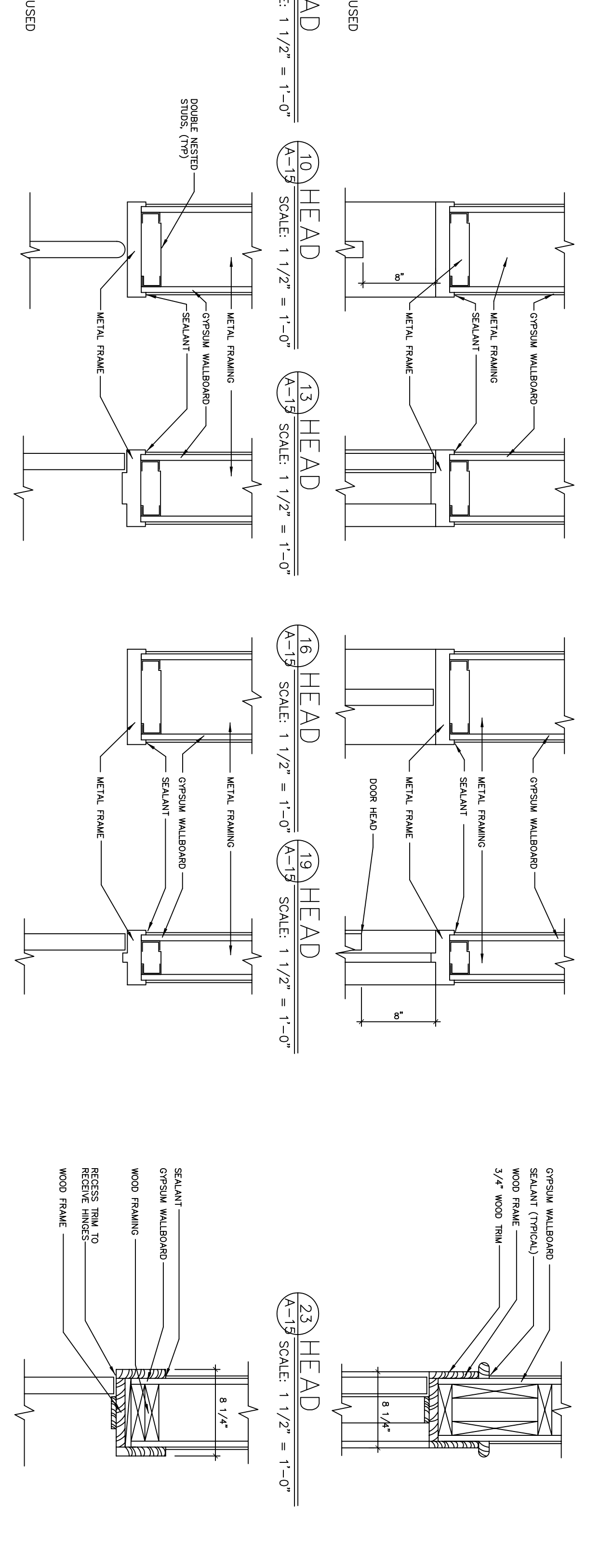
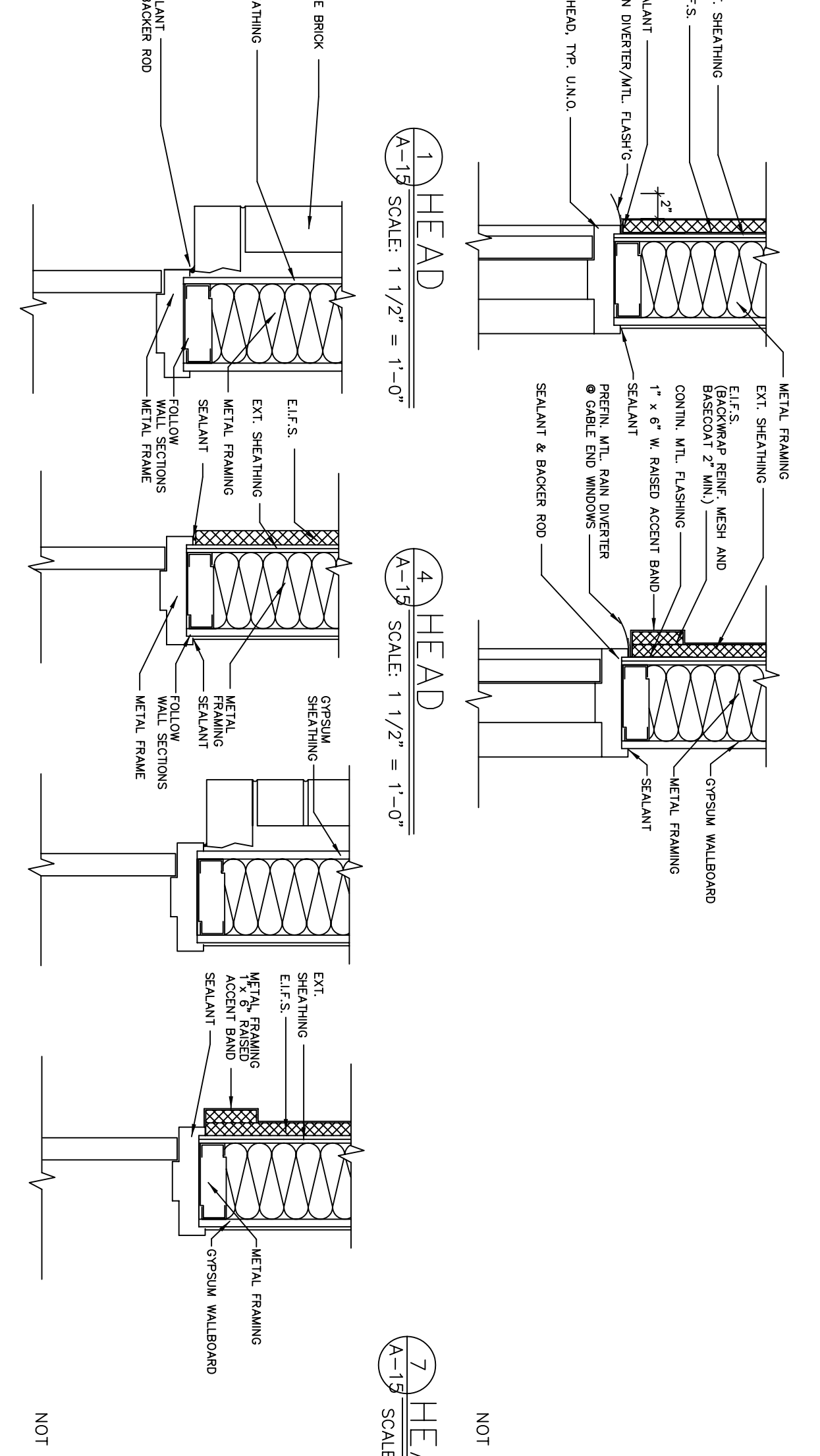
WINDOWS



HOLLOW METAL WINDOWS



METAL DOOR FRAME TYPES



RYAN'S FAMILY STEAK HOUSES, INC.
190 WEST STREET • DUBLIN, I.C. 5800 • (404) 979-0000

REV.	DESCRIPTION	DATE	BY

Ryan's
FAMILY STEAK HOUSE

DOOR & WINDOW SCHEDULES

DESIGNED: R.A.D. DATE: 04-27-99
STORE TYPE: DRAWING NO. PT9L A-115