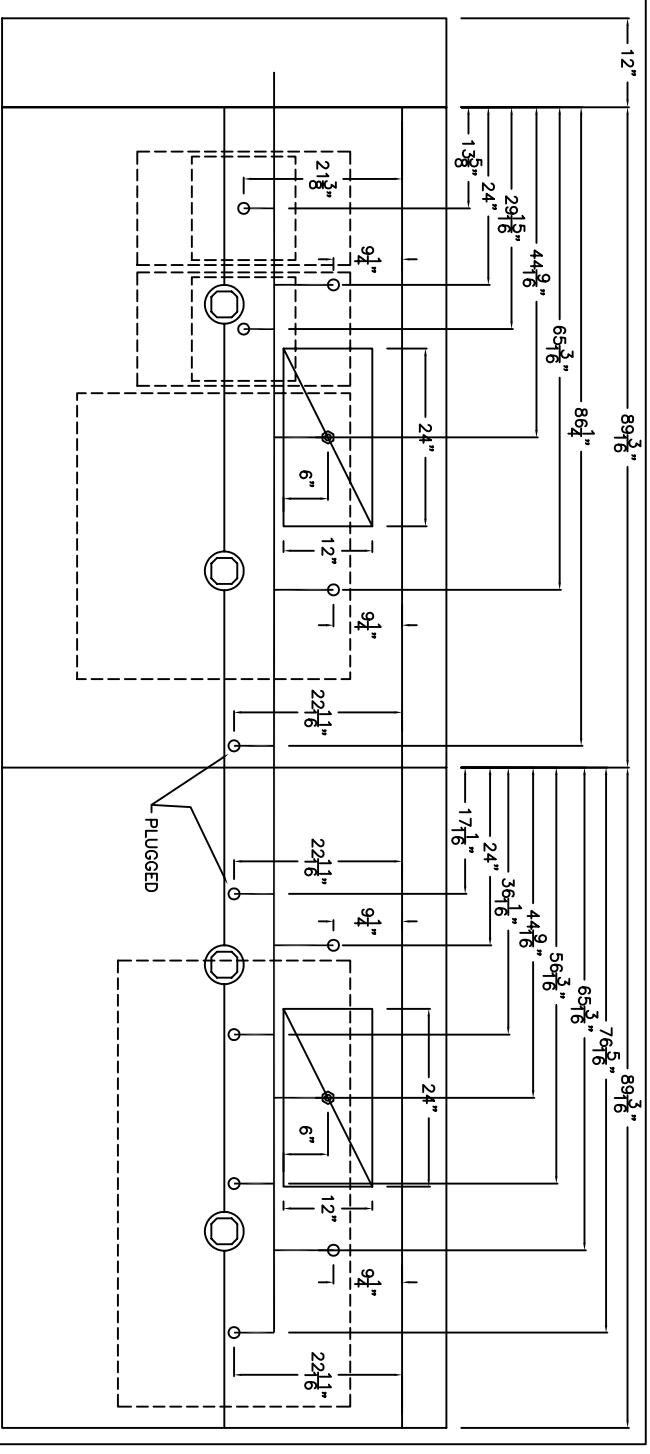


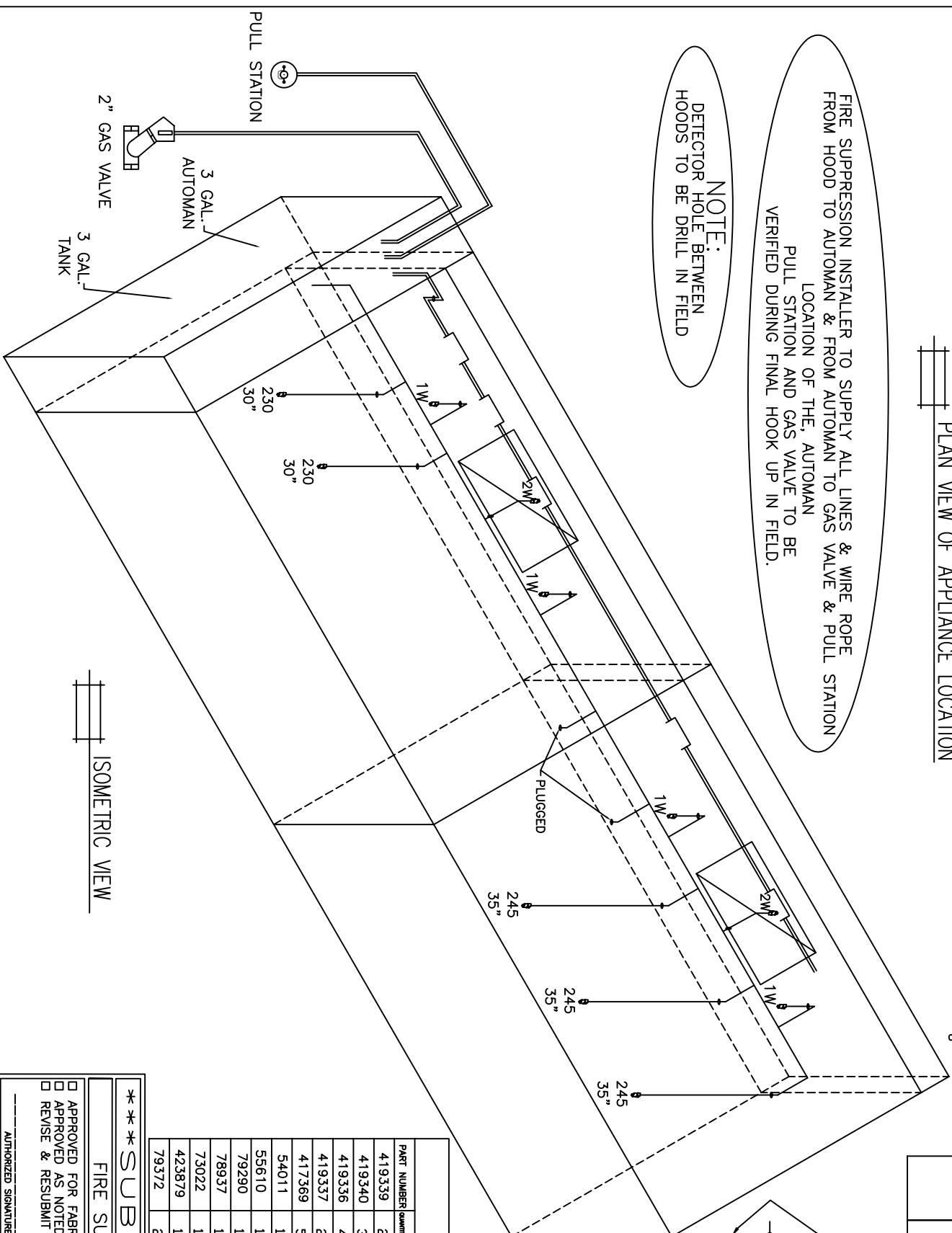
PLAN VIEW OF APPLIANCE LOCATION



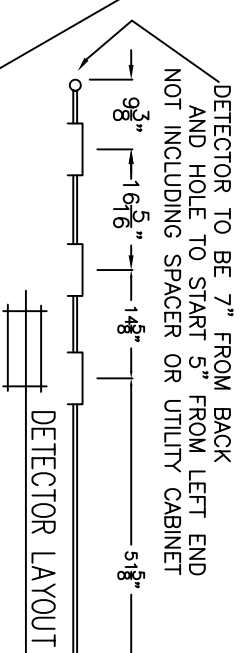
PLAN VIEW OF PIPING LAYOUT

FIRE SUPPRESSION INSTALLER TO SUPPLY ALL LINES & WIRE ROPE FROM HOOD TO AUTOMAN & FROM AUTOMAN TO GAS VALVE & PULL STATION LOCATION OF THE AUTOMAN PULL STATION AND GAS VALVE TO BE VERIFIED DURING FINAL HOOK UP IN FIELD.

NOTE:  
DETECTOR HOLE BETWEEN HOODS TO BE DRILL IN FIELD



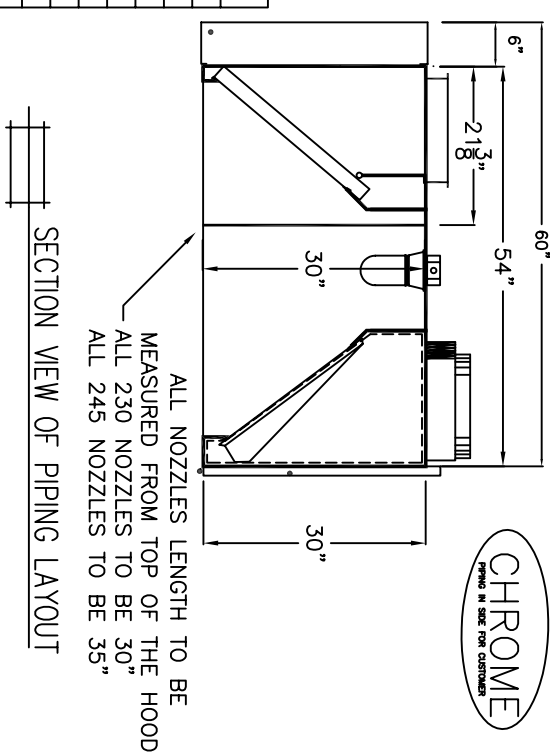
ISOMETRIC VIEW



DETECTOR LAYOUT

**ANSUL PARTS:**

PART NUMBER	QUANTITY	DESCRIPTION
419339	2	230 NOZZLES
419340	3	245 NOZZLES
419336	4	1W NOZZLES
419337	2	2W NOZZLE
417369	5	SCISSORS STYLE DETECTOR
54011	1	MANUAL PULL STATION
55610	1	2" MECHANICAL GAS VALVE
79290	1	3 GALLON AUTOMAN
78937	1	3 GALLON TANK W/RED BRACKET
73022	1	DOUBLE TANK NITROGEN CARTRIDGE
423879	1	DUAL MICRO SWITCH
79372	2	3 GALLON "ANSULEX" LOW PH LIQUID FIRE SUPPRESSANT



SECTION VIEW OF PIPING LAYOUT

ALL NOZZLES LENGTH TO BE MEASURED FROM TOP OF THE HOOD  
ALL 230 NOZZLES TO BE 30"  
ALL 245 NOZZLES TO BE 35"

**SUBMITTAL**

FIRE SUPPRESSION

APPROVED FOR FABRICATION  
APPROVED AS NOTED  
REVISE & RESUBMIT FOR APPROVAL

AUTHORIZED SIGNATURE \_\_\_\_\_ DATE \_\_\_\_/\_\_\_\_/\_\_\_\_

REVISIONS

NO.	DESCRIPTION	BY	DATE

**LC SYSTEMS**  
COLUMBUS, OH. (614) 228-6590

PROJECT: RYANS HOOD #1  
LOCATION: GEN III

DATE: 7/28/99 SCALE: 1"=1'  
DRAWN BY: JSB/AC APPROVED BY: GEN III

DRAWING NO. FS-096-00-01 JOB NO. \_\_\_\_\_