

- CONTRACTOR SHALL COORDINATE WITH MANUFACTURERS EXACT LOCATION, CONNECTION POINTS, AND SIZES
- ON HOT, COLD, OR TEMPERED WATER SPIRDS, CONTRACTOR SHALL ALLOW ENOUGH PIPING SO CONNECTIONS FOR WATER HEATING AND PIPING SHALL BE MADE AT THE POINT OF CONNECTION TO EACH EQUIPMENT.
- SUPPORT BEAN LINES FROM EQUIPMENT INTO TO EACH FLOOR OF EQUIPMENT.
- INSTALL HIGH PRESSURE WATER HOSE FROM STUB-OUT.
- CONTRACTOR SHALL INSTALL INSULATED HOT WATER PIPING TO ALL WATER HEATING EQUIPMENT, EXCEPT DRAINAGE AND PUBLIC RESTROOMS WITH TRIBEHO
- FROM LINES TO BE MADE FROM STUB-OUT.
- FROM STUBBER WATER FILTER, AND MAKE CONNECTIONS FROM WATER FILTER TO WATER FILTER, RECORD WATER FILTER TO WATER FILTER, RECORD WATER FILTER TO WATER FILTER.

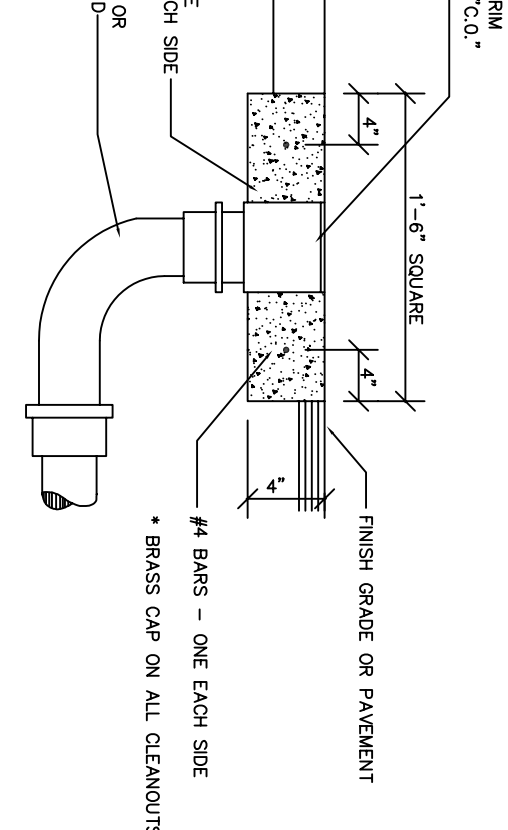
FIGURE CONNECTION SCHEDULE

IDENT.	FIXTURE	C.W.	H.W.	WASTE
P-1	WATER CLOSET (P.L.M.D./A.L.V.)	1"	X	4"
P-2	URINAL (M.H.G. A.L.V./A.)	3/4"	X	2"
P-2A	URINAL (M.H.G. A.L.V./A.)	3/4"	X	2"
P-3	RESTROOM LAVATORY (DRAIN ONLY)	1/2"	1/2"	1-1/4"
P-4	RESTROOM LAVATORY (WALL HUNG)	X	X	4"
P-5 & P-24	FLOOR DRAIN	X	X	X
P-6	HOSE BIBB & RECESSED BOX (REF. P2 FOR SERVICE)	X	3/4"	X
P-7	LAVATORY (KIT. WALL HUNG)	1/2"	1/2"	1-1/4"
P-8	WALL HUNG	3/4"	X	X
P-9	HOSE BIBB (REF. P2 FOR SERVICE)	3/4"	X	X
P-10	POST MOUNTED (NON FREEZING, ON ROOF)	X	3/4"	X
P-11 *	SINK ROUGH-IN (#9) (#9A) (#9A)	1/2"	1/2"	SEE BELOW
P-12	MUNING VALVE (CAN WASH)	1/2"	1/2"	X
P-13	SPACE	X	X	4"
P-14	FLOOR SINK (KITCHEN)	X	X	4"
P-15	TRENCH DRAIN (4'-0" IN LENGTH)	X	X	4"
P-16	HUB DRAIN (2')	X	X	2"
P-17	HUB DRAIN (4')	X	X	4"
P-18 *	POT SINK ROUGH-IN (#18) (#18)	(31)/2"	(31)/2"	4"
P-19	POT SINK ROUGH-IN (3'-0" IN LENGTH)	(31)/2"	(31)/2"	4"
P-20 *	FIXTURE ROUGH-IN, INDIRECT WASTE (#19) (#19A) (#19A)	1/2"	1/2"	SEE BELOW
P-21	WALL HUNG, EXT. CAN WASH (FREEZELESS)	1/2"	1/2"	X
P-22	SHOCK ABSORBER	X	X	2"
P-23 *	DISHWASHER RGH-IN (#14)	X	3/4"	2"
P-24	FIRE EXTINGUISHER (M.L.H.G. TYPE ABC, DRY POWDER)	X	X	X
P-25	FIRE EXTINGUISHER (M.L.H.G. TYPE ABC, DRY POWDER)	X	X	X
P-26	SPACE	X	X	X
P-27	ETWASH FOUNTAIN	1-1/2"	X	1-1/2"
P-28	WATER CLOSET (P.L.M.D./A.L.V.)	1"	X	4"
P-29	HOSE BIBB (REF. P2 FOR SERVICE)	1/2"	X	X
P-30	HOSE BIBB (REF. P2 FOR SERVICE)	1/2"	X	X
P-31	TEMPERATURE MIXING VALVE	3/4"	3/4"	X
P-32	AUTOMATIC TRAP PRIMER	1/2"	X	X
111	(1) BRINE TANK (2) DUPLEX SOFTENER			SEE OVERSHEET P-4

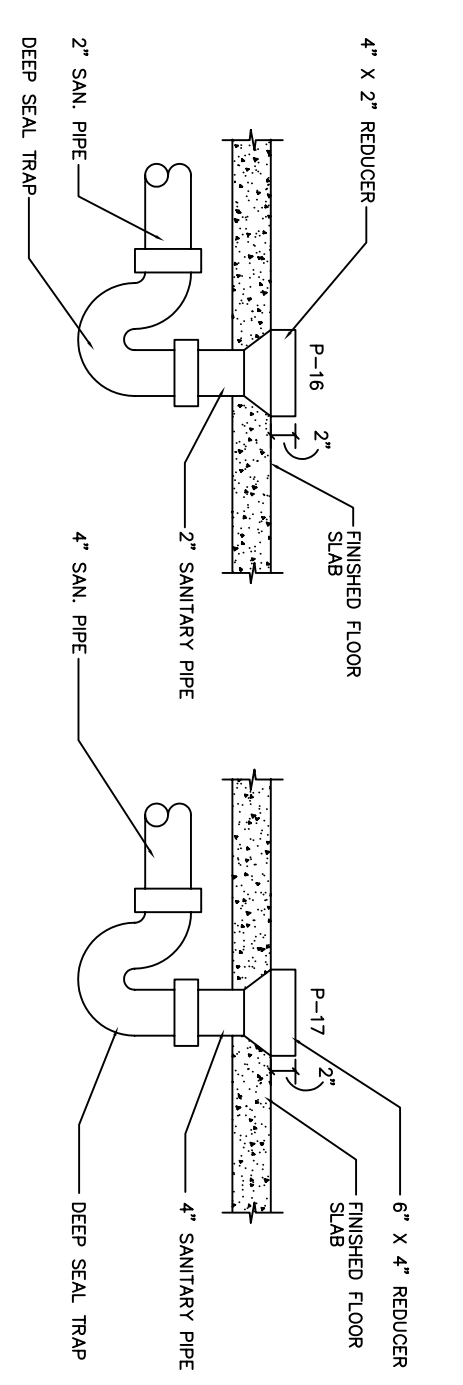
\* \* \* REFER TO ADDITIONAL ROUGH-IN REQUIREMENTS BELOW  
TOP OF HANDSINKS ARE TO BE 2'-8" AFF.

PLUMBING LEGEND

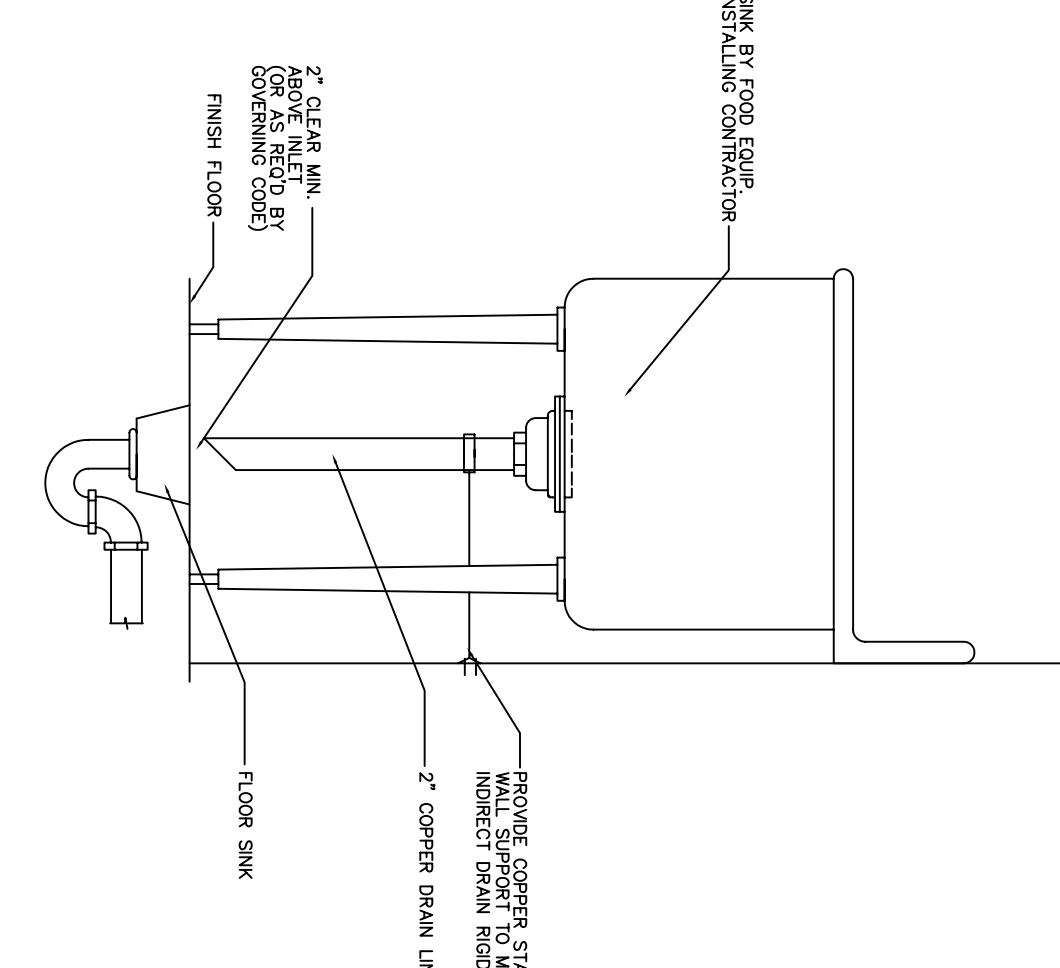
SYMBOL	DESCRIPTION
---	COLD WATER
---	HOT WATER (PUBLIC TOILET)
---	HOT WATER (KITCHEN AREA)
---	HOT WATER (DISHWASHER)
---	COLD WATER (BELLOW SLAB)
---	WASTE LINE BELOW SLAB
---	VENT LINE ABOVE OR BELOW SLAB
---	CLEAN OUT UP FROM BELOW SLAB
OH	PIPE TURNED UP
---	PIPE TURNED DOWN
---	CHECK VALVE
P-1, ETC.	FIXTURE IDENTIFICATION-SEE SPECS
CAW	COLD WATER
HW	HOT WATER
---	VENT THRU ROOF
Φ	FLOOR LEVEL ON RISER
G	GAS LINE
SW	SOFT WATER
ID	INDIRECT DRAIN LINE
BRP	REDUCED PRESSURE BACKFLOW PREVENTER
---	AUTOMATIC TRAP PRIMER



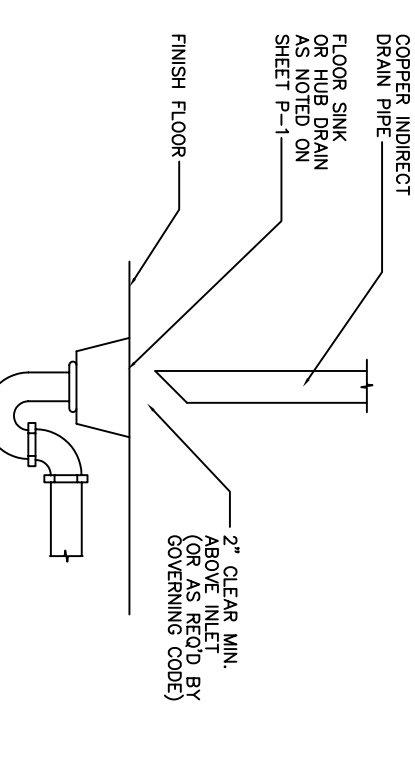
CLEANOUT DETAIL  
SCALE NONE



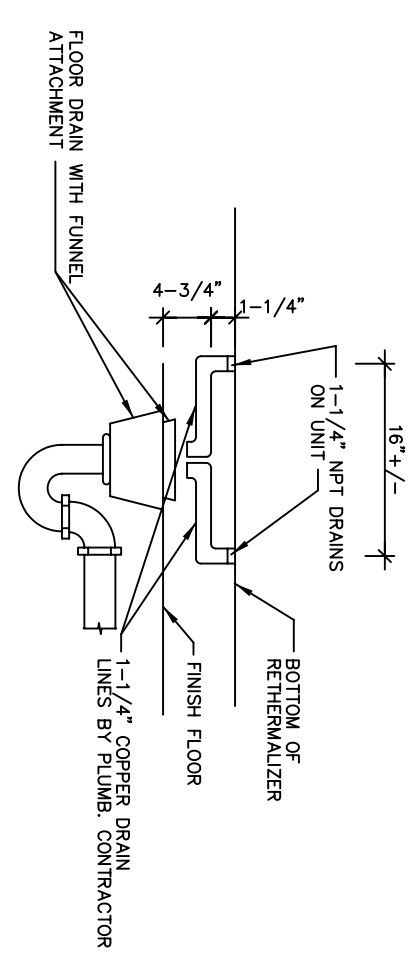
HUB DRAIN DETAIL  
SCALE NONE



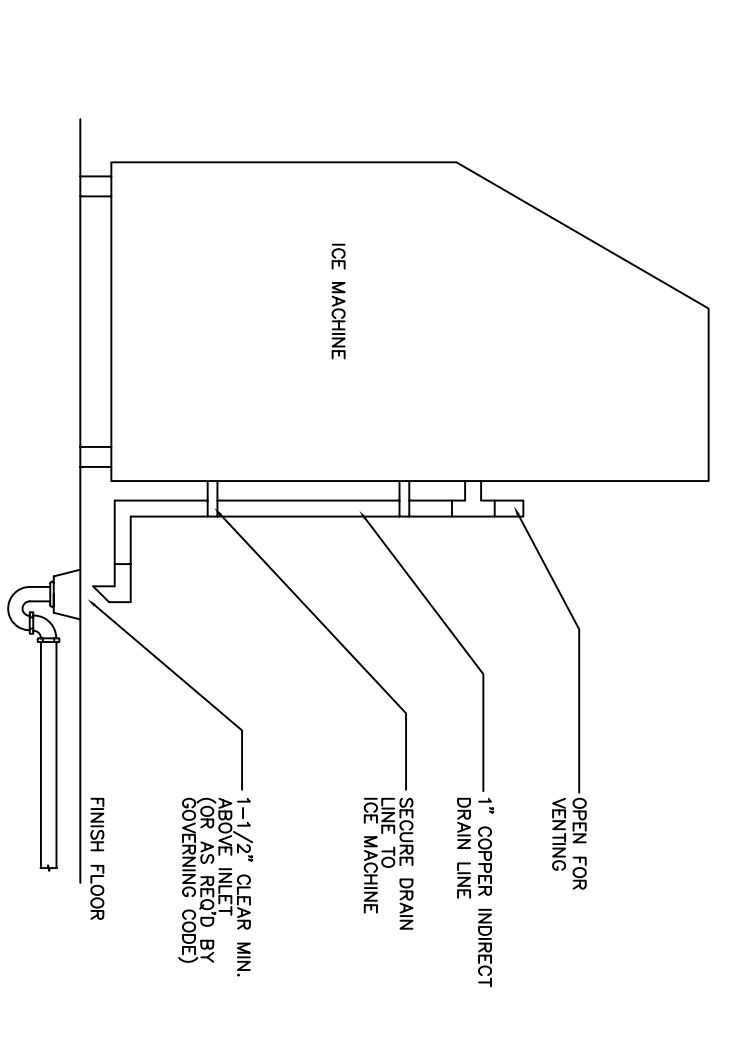
POT SINK WASTE PIPING DETAIL  
SCALE NONE



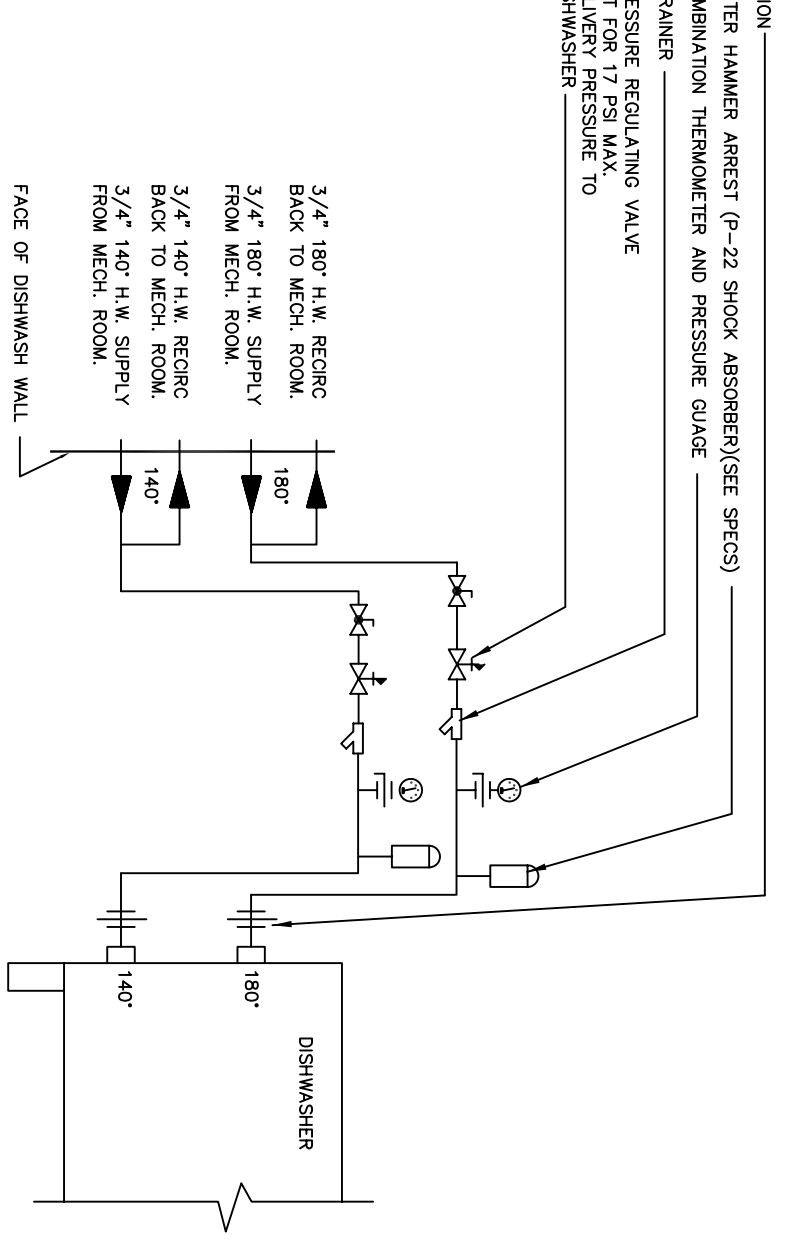
INDIRECT WASTE DETAIL (TYPICAL)  
SCALE NONE



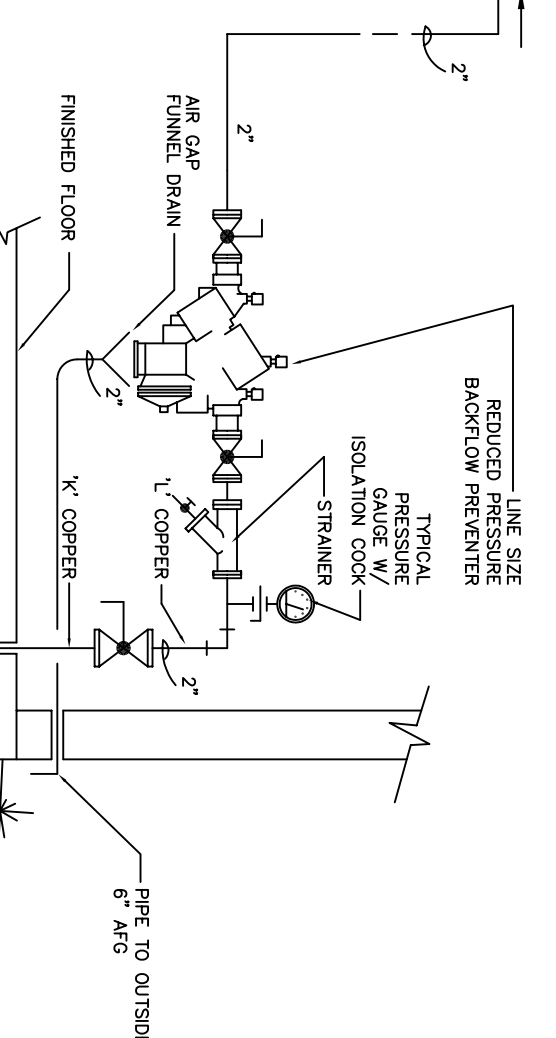
REHEATER DRAIN DETAIL  
SCALE NONE



ICE MACHINE WASTE PIPING DETAIL  
SCALE NONE



DISHWASHER SANITIZING CONNECTION  
SCALE NONE

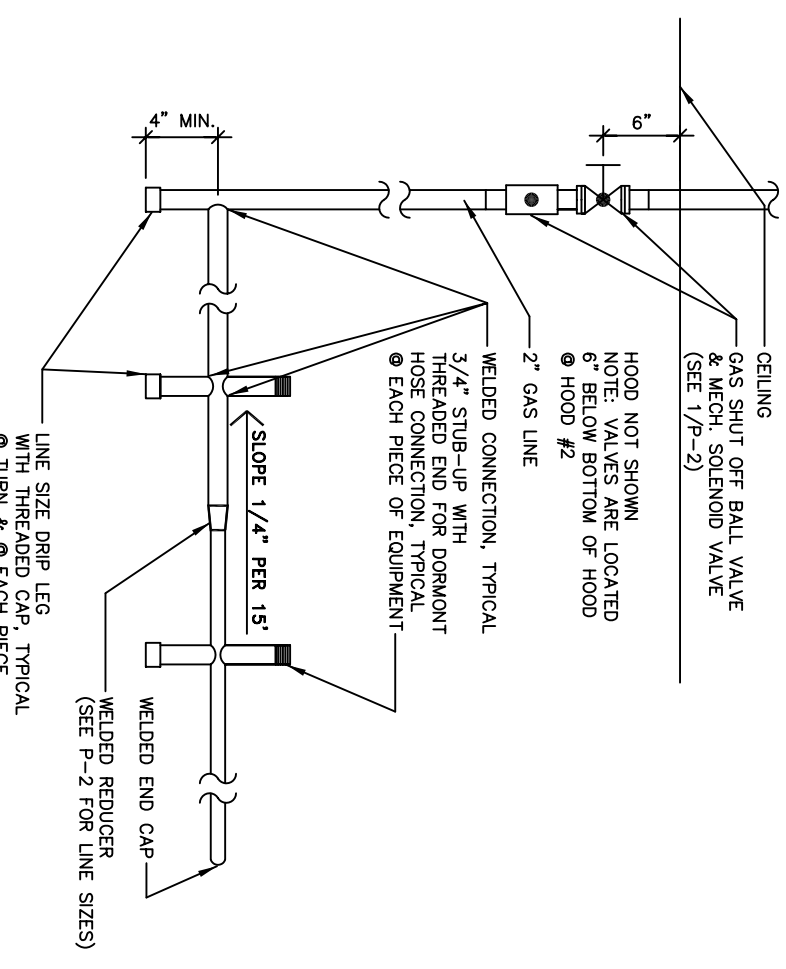


REDUCED PRESSURE BACKFLOW PREVENTER DETAIL  
SCALE NONE

WATER ENTRANCE EQUIPMENT SCHEDULE

REDUCED PRESSURE BACKFLOW PREVENTER: (2) WATTS SERIES FA9090T (FLANGED ENDS WITH QUARTER-TURN BALL VALVES EACH END) WITH FUNNEL DRAIN AIR GAP (WATTS SERIES 909A6) AND BRONZE STRAINER

THERMOMETER: THREE-0" TO 200" THERMOMETER WITH ISOLATION COCKS.



PARTIAL ELEVATION - HOOD #1  
(SIMILAR @ HOOD #2)  
SCALE NONE

OWNER FURNISHED EQUIPMENT  
ROUGH-IN REQUIREMENTS

EOP #	ITEM	C.W.	H.W.	WASTE	GAS	OTHER REQUIREMENTS
1	COOLER/FREEZER/MEAT COOLER	X	X	2"		TO HUB DRAIN REFER TO DETAIL SHEET P3
6	SILVER SINK W/ SINK	1/2"	1/2"	INDIRECT		TO FLOOR SINK
9	PREP TABLE W/ SINK	1/2"	1/2"	INDIRECT		
13A	PRE-SERVE SPRAY	2/8"	2/8"	1/2"		
13B	DISPENSABLE SINK FAUCET	1/2"	1/2"	2"		TO TRENCH DRAIN
14	DISHWASHER	(3) @ 1/2"	(3) @ 1/2"	INDIRECT		TO FLOOR SINK REFER TO DETAIL SHEET P-4
18	POTSINK	1/2"	1/2"	INDIRECT		TO FLOOR SINK REFER TO DETAIL SHEET P-4
20	CONNECTION OPEN	X	X	X		(2) @ 3/4" @ 155,000 BTUH EA. TOTAL 180,000 BTUH
22	BROILER W/ STAND (FURNISH)	X	X	X		90,000 BTUH EACH
23A	FRYER	X	X	X		180,000 BTUH EACH TO FLOOR
37	BROILER W/ STAND	X	X	X		180,000 BTUH EACH TO FLOOR
43B	REHEATER	1/2"	1/2"	INDIRECT		TO FLOOR DRAIN
47	PREP TABLE WITH SINK	1/2"	1/2"	INDIRECT		SEE NOTE 2, 6
49	DOUBLE DECK STEAMER	5/8"	5/8"	X		
49X	POT FILTER FOR CONNECTION STEAMER	5/8"	5/8"	X		
53	BREAD TABLE WITH SINK	1/2"	1/2"	INDIRECT		
54	PREP TABLE WITH SINK	1/2"	1/2"	INDIRECT		
65	SOFT DRINK DISP. & BIN	2 1/4"	2 1/4"	INDIRECT		TO FLOOR SINK
66	WATER FILTER	1 1/2"	1 1/2"	X		ALSO SEE 1/4E-1
72	FRESH BINS	X	X	X		TO HUB DRAINS
76	BEVERAGE COUNTER W/ SINK	2 1/2"	2 1/2"	INDIRECT		TO FLOOR SINK
77	COFFEE MAKER	4 1/4"	4 1/4"	X		WATER SUPPLY LINE TO HUB DRAIN
78	STAINLESS STEEL HAND SINK	1 1/2"	1 1/2"	INDIRECT		TO HUB DRAIN
79A	W/HT FOOT OPERATOR	1 1/2"	1 1/2"	INDIRECT		TO HUB DRAIN
81	YOCURT MACHINE	6 1/2"	6 1/2"	X		TO HUB DRAIN
82	SOFT SERVE MACHINE	6 1/2"	6 1/2"	X		TO HUB DRAIN
84	ICE TEA BREWER	5 1/2"	5 1/2"	X		SEE NOTE 4
96	ICE MAKER & BIN	60"	60"	INDIRECT		TO FLOOR SINK
97A	SHAKE	X	X	X		
124	HOSE REL. @ DISHABLE	X	3/4"	X		
128	CONNECTION OPEN	X	X	X		55,000 BTUH
199	TICED SHAVERS	1/2"	1/2"	INDIRECT		TO TRENCH DRAIN
201	ICE MACHINE WATER FILTER	1/2"	X	INDIRECT		TO FLOOR SINK
309	HOT WATER DISPENSER	5 1/2"	5 1/2"	X		

NOTE: PLUMBING CONTRACTOR IS RESPONSIBLE FOR MAKING ALL EQUIPMENT CONNECTIONS, INCLUDING BUT NOT LIMITED TO MISCELLANEOUS DRAINS (i.e. DRIP PAN DRAINS AT ICE & SOFT DRINK MACHINES, & OTHER SPECIFIED DEVICES. INSULATE ALL MISC. DRIP PAN & CONDENSATE LINE FROM ICE MACHINE AND SODA DISPENSER).

REVISIONS

REV.	DESCRIPTION	DATE	BY

RYAN'S FAMILY STEAK HOUSE

RYAN'S FAMILY STEAK HOUSES, INC.  
199 HUNT STREET - OHEN, S.C. 29850 - (843) 873-1000

PLUMBING DETAILS AND SCHEDULES