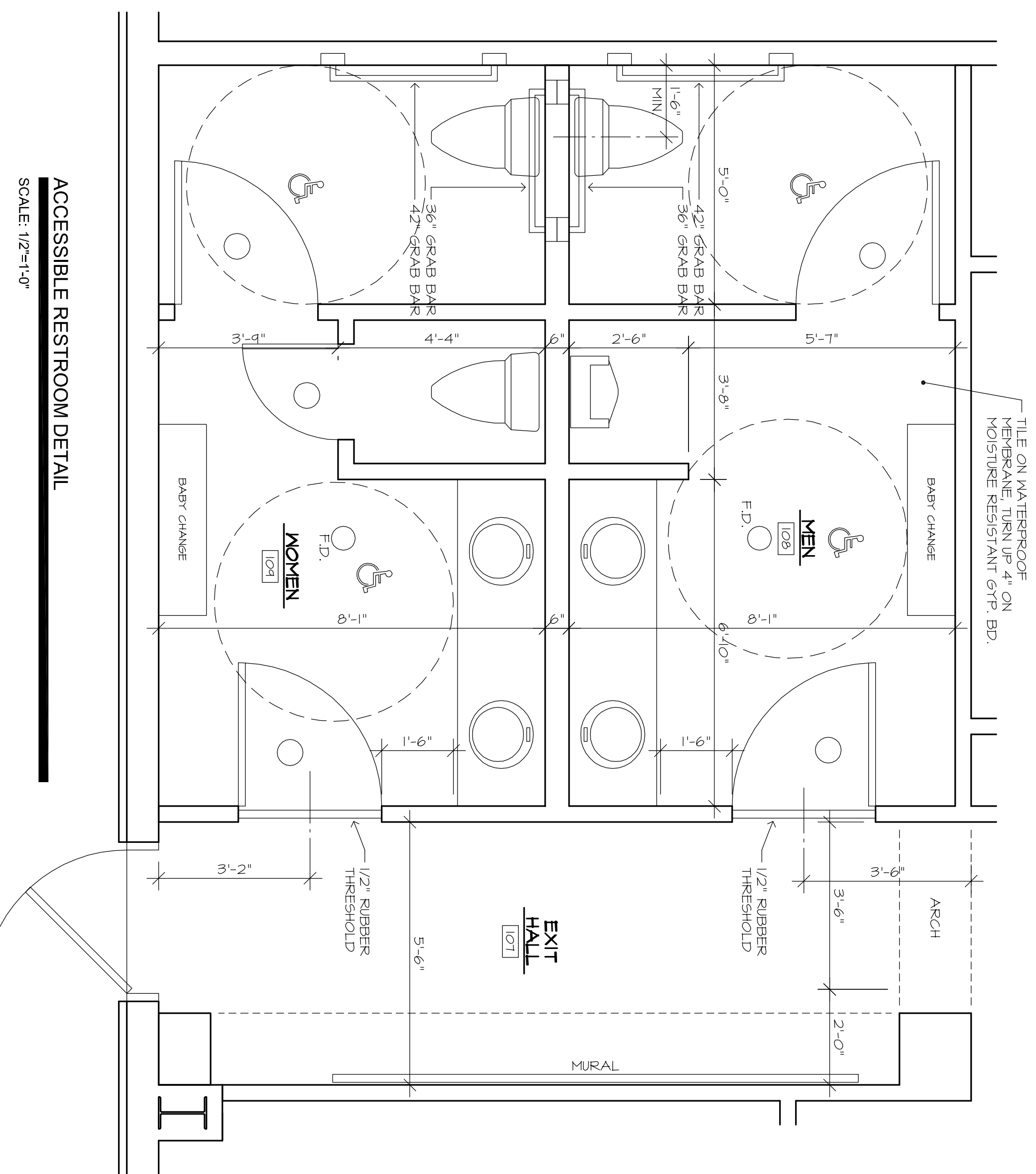
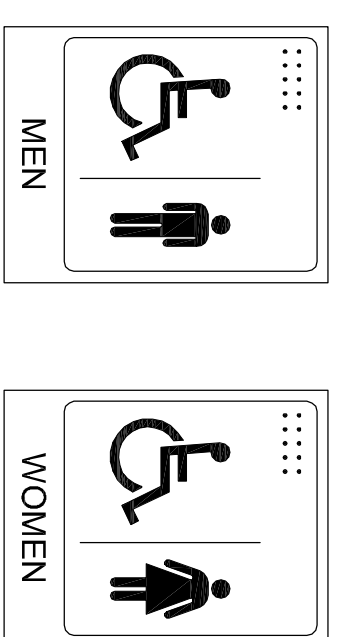


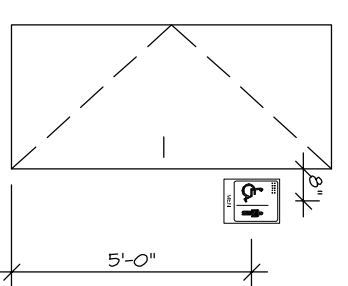
ACCESSIBLE RESTROOM-TYPICAL DIMENSIONS
SCALE: 1/2"=1'-0"



ACCESSIBLE RESTROOM DETAIL
SCALE: 1/2"=1'-0"

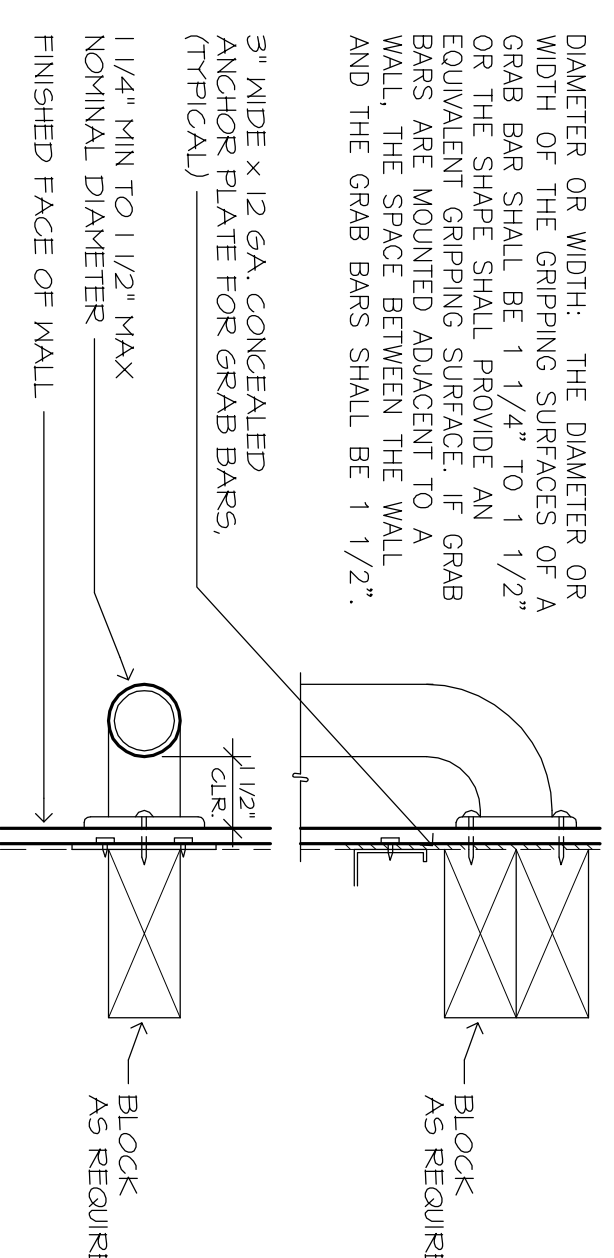


- ALL SIGNAGE SHALL CONFORM WITH ADA ACCESSIBILITY GUIDELINES:
- LETTERS & NUMBERS MUST BE RAISED 1/32" FROM SIGN SURFACE.
 - CHARACTER HEIGHT MUST BE AT LEAST 3/16" FROM SIGN SURFACE.
 - TYPE STYLE FOR LETTERS & NUMBERS SHALL BE SANS SERIF OR SIMPLE SERIF.
 - PICTOGRAMS SHALL BE ACCOMPANIED BY THE EQUIVALENT VERBAL DESCRIPTION PLACED DIRECTLY BELOW PICTOGRAM.



ACCESSIBILITY SIGNAGE
SCALE: NONE

TYPICAL GRAB BAR DETAIL
SCALE: 1-1/2"=1'-0"



TOILET ROOM NOTES

- WATER CLOSERS AND FLUSH VALVE CONTROLS, AND FAUCET AND OPERATING MECHANISM CONTROLS SHALL BE OPERABLE WITH ONE HAND AND SHALL NOT REQUIRE TIGHT GRASPING, FINCHING, OR TWISTING OF THE WRIST, AND SHALL BE MOUNTED NO MORE THAN 44" ABOVE THE FLOOR.
- THE FORCE REQUIRED TO ACTIVATE WATER CLOSET FLUSH VALVE CONTROLS, AND FAUCET AND OPERATING MECHANISM CONTROLS, SHALL BE NO GREATER THAN 5 LBS.
- FLUSH CONTROLS MOUNTED ON WIDE SIDE OF TOILET AREA (LONG LEAD ITEM WHEN ON RIGHT HAND SIDE.)
- TONEL AND OTHER SIMILAR DISPENSING FIXTURES ARE PROVIDED AND SHALL BE LOCATED WITH ALL OPERABLE PARTS WITHIN 40" FROM THE FINISHED FLOOR.
- LAVATORIES SHALL BE MOUNTED WITH THE RIM OR COUNTER SURFACE NO HIGHER THAN 34" ABOVE FINISHED FLOOR AND WITH A CLEARANCE OF AT LEAST 29" FROM THE FLOOR TO THE BOTTOM OF THE APRON WITH KNEE CLEARANCE UNDER THE FRONT LIP EXTENDING A MINIMUM OF 30" IN WIDTH AND 8" MINIMUM DEPTH AT THE TOP. TOE CLEARANCE SHALL BE THE SAME WIDTH AND SHALL BE A MINIMUM OF 9" HIGH FROM THE FLOOR AND A MINIMUM DEPTH FROM THE FRONT OF THE LAVATORY. (SEE TOILET ROOM ELEVATIONS)
- O.D. STAINLESS STEEL GRAB BAR, 3"-6" LONG BY 1 1/2" AND 3'-0" LONG BY 1 1/2". REFER TO DETAIL. GRAB BAR SHALL NOT ROTATE WITHIN FITTING SUPPORT. MOUNT GRAB BAR @33" A.F.F.

TOILET ROOM FIXTURE LEGEND

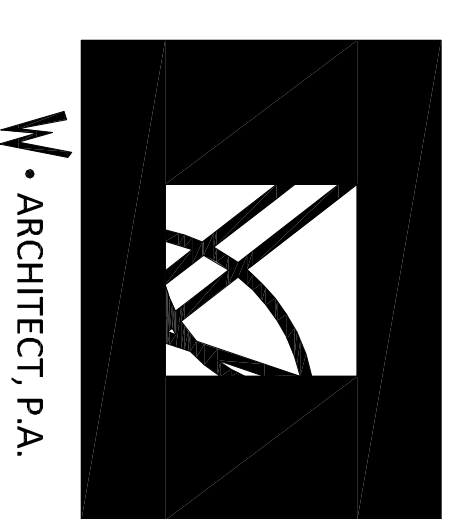
MARK	DESCRIPTION	MODEL #	SIZE	REMARKS
A	(SURFACE MOUNT) PAPER TOWEL DISPENSER & WASTE RECEPTACLE	B-262		SATIN FINISH
B	(SURFACE MTD.) TOILET TISSUE DISPENSER	KIMBERLY CLARK #AMMK09964		SATIN FINISH
C	RECESSED SANITARY NAPKIN DISPOSAL	RUBBERMAID #6140		SATIN FINISH, INCLUDES NECESSARY KIT & MTC. HARDWARE
D	(SURFACE MOUNTED) SOAP DISPENSER	KAY-3675		SATIN FINISH
E	GRAB BARS (SURFACE MOUNTING)	BOBRICK #6890642	BAR LENGTH: 42"	
F	GRAB BARS (SURFACE MOUNTING)	BOBRICK #6890636	BAR LENGTH: 36"	
G	MIRROR			BY OWNER
H	SURFACE MOUNTED UTILITY HOOK	B-6707	2"	SATIN FINISH STAINLESS STEEL
J	WASTE BASKET	RUBBERMAID SLIM JIM #3541		

EQUIPMENT SCHEDULE NOTES

- REFER TO TOILET ACCESSORY ELEVATIONS FOR MOUNTING HEIGHTS.
- PROVIDE BLOCKING BEHIND ALL WALL MOUNTED EQUIPMENT AT HEIGHTS REQUIRED. ALL WOOD BLOCKING SHALL BE FIRE-RETARDANT TREATED IN RATED PARTITIONS.
- MOUNT MIRROR ON TOP OF BACKSPASH.
- MOUNT IN WALL PROVIDE ROUGH OPENING AS REQUIRED.
- PROVIDE SINK SKIRT AT ALL WALL HUNG/EXPOSED LAWS.
- MOUNTED IN SOLID TOP WITH SINKS.

SENSOR OPERATED FIXTURES

- Sloan Optima Systems or Equal
- Hand Washing Faucet - Model EBF - 187
 - G2 Model Water Closet Flushometer - Model 8110
 - G2 Model Urinal Flushometer - Model 8186



W. ARCHITECT, P.A.

4100 LEGIONARY DRIVE, SUITE 240
DESIGN, FLORIDA 32541
850.665.0470

Member of American Institute of Architects

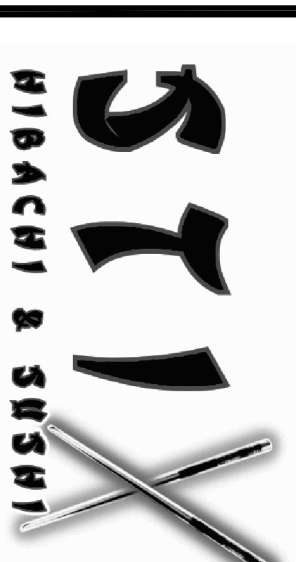
DBPP NBR AA 2600-1732

Copyright 2013 W. Architect, P.A.

REPRODUCTION OF THESE DRAWINGS OR SPECIFICATIONS WITHOUT THE WRITTEN CONSENT OF W. ARCHITECT, P.A. IS PROHIBITED. THESE DRAWINGS AND SPECIFICATIONS ARE THE PROPERTY OF W. ARCHITECT, P.A. AND SHALL REMAIN THE PROPERTY OF W. ARCHITECT, P.A. IF THESE DRAWINGS ARE REPRODUCED OR COPIED IN ANY MANNER WITHOUT THE WRITTEN CONSENT OF W. ARCHITECT, P.A. ANY OTHER REPRODUCTIONS ARE PROHIBITED. THE EXPRESS WRITTEN PERMISSION OF W. ARCHITECT, P.A. IS GIVEN.

PROJECT
W. ANDREW POPE
LOUISIANA LICENSE 30653

PROJECT
STIX HIBACHI RESTAURANT
CAMELLIA SQUARE
SLIDELL, LOUISIANA



ISSUED FOR:

SPECIFICATIONS
 DESIGN DEVELOPMENT
 60% REVIEW
 100% CONTRACT DOCUMENTS
 DEVELOPMENT ORDER
 PRICING
 BIDDING
 PERMIT
 CONSTRUCTION

DATE: _____
NO. OF PAGES: _____

SHEET TITLE
TOILET ROOM
DETAILS &
NOTES

REVISIONS

DATE	REMARKS
MAY 30 2013	

SHEET NO.
A-6