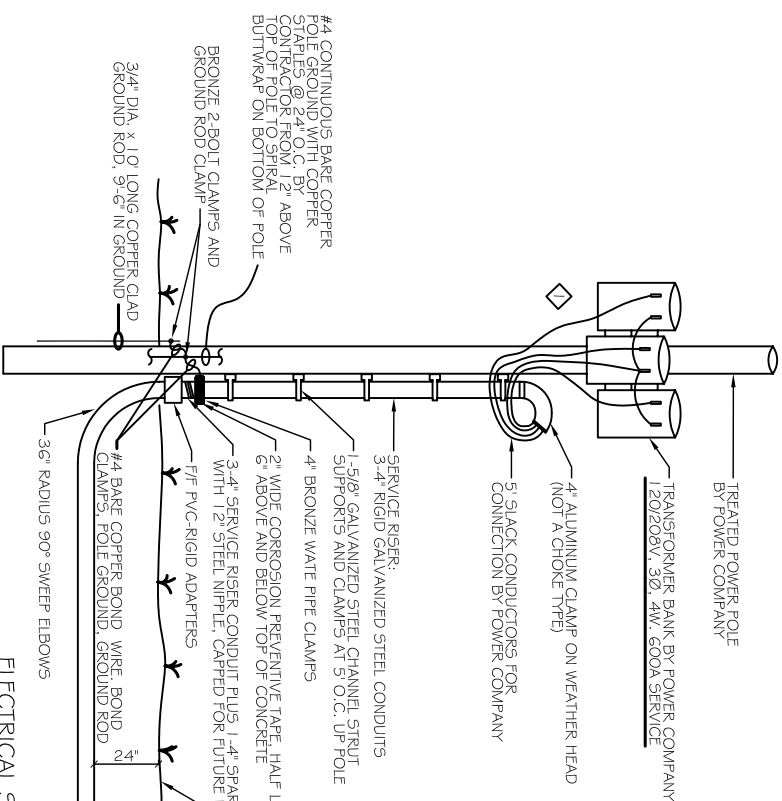
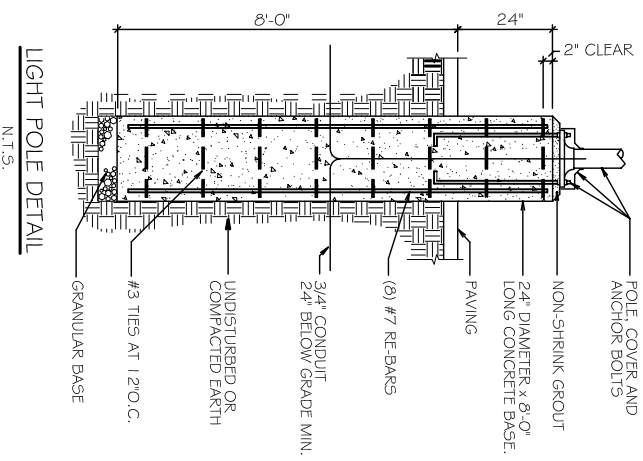


LEGEND

- ☐ - POWER PANEL
- ① - 120V, 20A DUPLEX RECEPTACLE, 20A, 1Ø, 120V, 3 POLES, GROUNDED
- ② - 120V, GROUND FAULT INTERRUPTER RECEPTACLE
- ③ - 120V, WEATHER PROOF RECEPTACLE, GROUNDED
- ④ - 208V, RECEPTACLE, 1Ø, 50A, GROUNDED
- ⑤ - COMBINATION TEL/DATA OUTLET 1-GANG, 1-B, W/ 1 C (E) STUBBED UP ABOVE ACCESSIBLE CEILING W/ PULL STRING
- ⑥ - 208V, RECEPTACLE, 1Ø, 20A, GROUNDED RECEPT. @ COUNTERTOP HEIGHT COORDINATE WITH OWNER
- ⑦ - 120V, RECEPTACLE - FOURPLEX, 1Ø, 20A, GROUNDED
- ☐ - DISCONNECT
- ☐ - EXHAUST FAN
- ☐ - WATER HEATER
- ☐ - 2-x4 RECESSED FLUORESCENT LAMP, STEEL HOUSING
- ☐ - 1-x4 RECESSED FLUORESCENT LAMP, STEEL HOUSING, 2 BULB FIXT.
- ☐ - 2-x2 RECESSED FLUORESCENT LAMP, STEEL HOUSING
- ☐ - EMERGENCY LIGHT WITH 90 MIN. BATTERY BACKUP
- ☐ - INCANDESCENT / H.I.D. FIXTURE
- ☐ - SWITCH
- ☐ - 3-WAY SWITCH
- ☐ - EXIT LIGHT, 90 MINUTE BATTERY BACK-UP



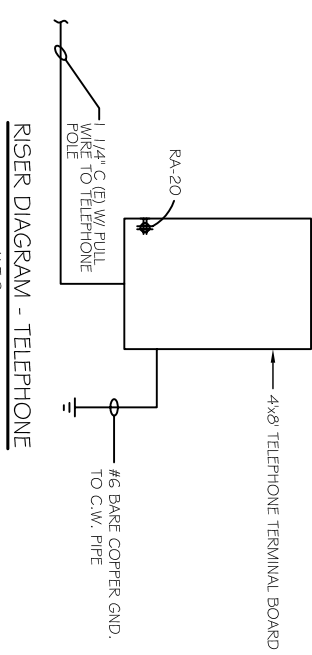
ELECTRICAL SERVICE WIRING DIAGRAM
N.T.S.

SPECIFIC NOTES

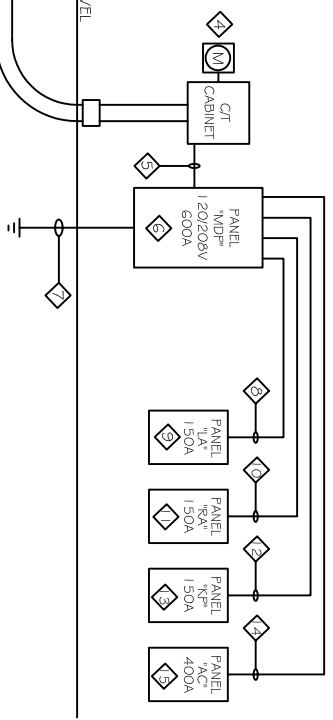
- ① UTILITY CO. SERVICE POLE, COORDINATE LOCATION WITH UTILITY CO. 120/208V, 3Ø, 600A SERVICE
- ② (6)-500 MCM THWN
- ③ (2) 4\"/>

LIGHTING FIXTURE SCHEDULE

TYPE	MANUFACTURER	CATALOG NUMBER	DESCRIPTION	TYPE
F1	LITHONIA	2G1B432A1 91 20 1/4 GEB1015	RECESSED	F032/25K
F2	LITHONIA	2G1B432A1 91 20 1/4 GEB1015	RECESSED	F032/25K
F3	LITHONIA	1B2321 20GFB1015	RECESSED	F032/25K
F4	LITHONIA	4F 2/2S DIT1GAR20	RECESSED	26W
F5	LITHONIA	VR4C 100W 120 NLF1	SURFACE	100W/WH
F6	LITHONIA	5B232 A1 2 120V-GFB	SURFACE	2-321S 35K
F7	LITHONIA	10MSW3R 120/27ZEIN	LED	LED
F8	LITHONIA	SELM2	INC	INC

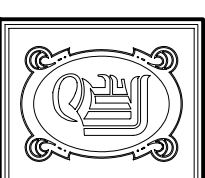


RISER DIAGRAM - TELEPHONE
N.T.S.



GENERAL NOTES

- 1. ALL EQUIPMENT FURNISHED AND ALL WORK SHALL BE IN STRICT CONFORMITY WITH ELECTRICAL SECTION OF REGULATORY INSPECTIONS FOR LOCAL AND STATE FIRE MARSHALL, N.E.C. AND ALL OTHER APPLICABLE LAWS, ORDINANCES, CODES AND RULES OF CONSTRUCTION APPLICABLE IN THE LOCALITY OF WORK.
- 2. PERMITS, CERTIFICATES OF INSPECTION AND APPROVAL AS APPLICABLE TO THE VARIOUS PORTIONS OF THE WORK SHALL BE OBTAINED FROM THE INSPECTION AGENCY HAVING JURISDICTION THEREON AND SHALL BE DELIVERED TO THE ARCHITECT PRIOR TO ACCEPTANCE OF THE WORK. PAY ALL FEES REQUIRED IN CONNECTION WITH VARIOUS INSPECTIONS AND PERMITS.
- 3. ALL LIGHTING FIXTURES, SWITCHES, RECEPTACLES, PLUGWOLDS ETC. SHALL COMPLY WITH STANDARDS OF U.L. INC.
- 4. ELECTRICAL PLANS SHOW GENERAL WORK TO BE PERFORMED BY CONTRACTOR AND HAS BEEN PREPARED TO ASSIST THE CONTRACTOR IN PREPARING HIS PROPOSED COST FOR THE TOTAL PROJECT. IT IS THE RESPONSIBILITY OF THE CONTRACTOR TO VISIT THE JOB SITE AND BECOME FAMILIAR WITH EXISTING CONDITIONS WHICH MAY AFFECT HIS WORK AND FINAL BID PRICE.
- 5. EACH BRANCH CIRCUIT AND/OR FEEDER SHALL HAVE A GREEN INSULATED EQUIPMENT GROUND CONDUCTOR. ALL PENETRATIONS THROUGH PARTITIONS SHALL BE PROPERLY SEALED TO MAINTAIN FIRE RATING.
- 6. THE NUMBER OF GROSSMARKS SHOWN TO INDICATE THE NUMBER OF CONDUCTORS FOR A BRANCH CIRCUIT DOES NOT INCLUDE THE EQUIPMENT GROUND CONDUCTOR.
- 7. UPON COMPLETION, CONTRACTOR SHALL FURNISH AS-BUILD SCHEMATIC DRAWING OF ALL VARIATIONS OF EXISTING PLANS TO OWNER.
- 8. UPON COMPLETION OF THE WORK, TEST THE NEW INDIVIDUAL SYSTEMS, INCLUDING ALL FEEDERS AND BRANCH CIRCUITS TO RECEPTACLES, LIGHTING WITH A 500 VOLT DC INSULATION TESTER (WITH AN 0-200 MEGOHM FULL SCALE.) ALL CONDUCTORS SHALL HAVE INSULATION TESTED WHEN WIRING SYSTEM IS COMPLETE AND A LOG KEPT OF THE CIRCUIT NAME, DATE AND MEGGER READINGS, RECORD FEEDER AND/OR CIRCUIT NAME, READINGS IN OHMS, AND SUBMIT REPORT TO ARCHITECT. CHECK FOR PROPER PHASE ROTATION. ALL TEST REPORTS SHALL BE TYPED, PROVIDE ALL INSTRUMENTS, LABOR, ETC. REQUIRED FOR TESTING. ALL TESTING SHALL BE OBSERVED BY THE ARCHITECT AND/OR REPRESENTATIVES OF ARCHITECT.
- 9. UPON COMPLETION OF ALL TESTS AND ACCEPTANCE, THE CONTRACTOR SHALL FURNISH THE OWNER A WRITTEN GUARANTEE COVERING THE ELECTRICAL WORK DONE AND EQUIPMENT INSTALLED FOR A PERIOD OF ONE YEAR FROM THE DATE OF ACCEPTANCE. DURING THE GUARANTEE PERIOD THE CONTRACTOR SHALL RECTIFY AND REPLACE ANY DEFECTIVE MATERIAL OR WORKMANSHIP AND REPAIR DAMAGE CAUSED THEREBY WITHOUT ANY ADDITIONAL COST TO THE OWNER.
- 10. CONTRACTOR SHALL COORDINATE MOUNTING HEIGHTS OF ALL WALL MOUNTED EQUIPMENT, WIRING DEVICES, ETC., WITH ARCHITECTURAL DRAWINGS PRIOR TO START OF ROUGH IN.
- 11. CONTRACTOR SHALL INSTALL ALL OWNER FURNISHED EQUIPMENT. THIS INCLUDES BUT NOT LIMITED TO ALL REQUIRED BOXES, FITTINGS, ASSOCIATED WIRING, RACEWAYS, ETC. CONTRACTOR SHALL COORDINATE ALL REQUIREMENTS WITH APPROPRIATE EQUIPMENT VENDOR PRIOR TO START OF ROUGH IN. CONTRACTOR SHALL MAKE ALL REQUIRED FINAL TERMINATIONS.
- 12. CONTRACTOR SHALL LOOP CONDUIT FROM ONE DEVICE BOX TO THE OTHER OR ONE LIGHT FIXTURE BOX TO THE OTHER LIGHT FIXTURE BOX AND ALL SPICES SHALL BE MADE IN THE DEVICE BOXES AND FIXTURE JUNCTION BOXES. DO NOT INSTALL ADDITIONAL JUNCTION BOXES IN CEILING OR WALLS TO BRANCH OFF CIRCUITS.
- 13. WHERE OVERSIZED CONDUITS OR CONDUCTORS ARE INDICATED, THE CONDUIT AND WIRE SIZE SHALL BE INSTALLED THROUGHOUT THE ENTIRE CIRCUIT.
- 14. ALL INSTALLATION INDICATED IN CONTRACT DOCUMENTS SHALL BE FLUSH MOUNTED IN WALLS OR CEILINGS, SURFACE MOUNTED OR EXPOSED IS ACCEPTED ONLY IN WRITING BY ARCHITECT GRANTING APPROVAL.



DAMMON ENGINEERING, INC.
CHIEF ENGINEER
EMMETT DAMMON, P.E.

CHIEF ARCHITECT
ROBERT WILTSE

1095 FLORIDA AVENUE
SLIDELL, LA, 70458
OFFICE: 985-649-5632
FAX: 985-641-5950

WEBSITE:
WWW.DAMMONENGINEERING.COM
EMAIL:
DAMMONENG@BELLSOUTH.NET

ARCHITECTURE
ENGINEERING
STUDIES
PLANNING
INVESTIGATION
EXPERT WITNESS

NEW OFFICE
COMPLEX

CHILD DEVELOPMENT
COUNCIL OF
ACADIANA, INC.
OPELOUSAS, LA

ELECTRICAL
TITLE SHEET

REV:

SCALE: AS NOTED

JOB#: 2030

DATE: 7-2-09

SHEET

E-1

OF