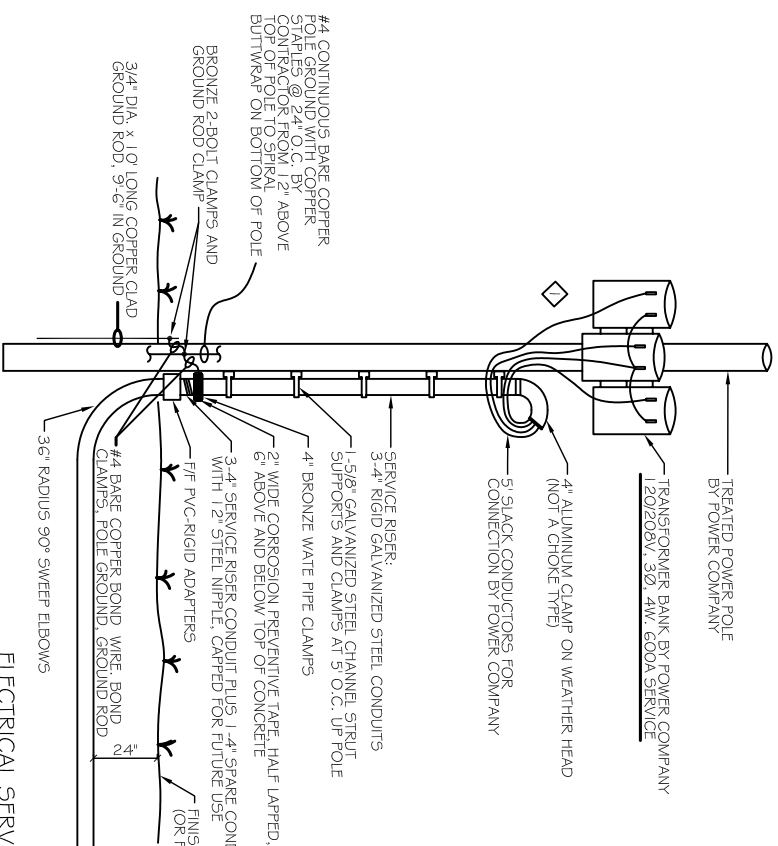
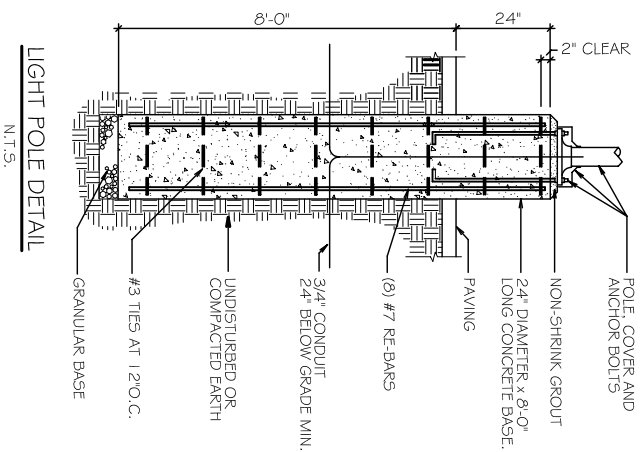


LEGEND

- ☐ - POWER PANEL
- ⊕ - 120V, 20A DUPLEX RECEPTACLE, 20A, 1 Ø, 120V, 3 FOLES, GROUND
- ⊕ - 120V, WEATHER PROOF INTERRUPTER RECEPTACLE
- ⊕ - 120V, WEATHER PROOF RECEPTACLE, GROUND
- ⊕ - 208V, RECEPTACLE, 1 Ø, 50A, GROUND
- ⊕ - COMBINATION TEL/DATA OUTLET 1-GANG, J.B. w/ 1" C (E) STUBBED UP ABOVE ACCESSIBLE CEILING w/ FULL STRING
- ⊕ - 208V, RECEPTACLE, 1 Ø, 20A, GROUND
- ⊕ - RECEPT. @ COUNTERTOP HEIGHT COORDINATE WITH OWNER
- ⊕ - 120V, RECEPTACLE - FOURPLEX, 1 Ø, 20A, GROUND
- ⊕ - DISCONNECT
- ⊕ - EXHAUST FAN
- ⊕ - WATER HEATER
- ⊕ - 2x4' RECESSED FLUORESCENT LAMP, STEEL HOUSING
- ⊕ - 1x4' RECESSED FLUORESCENT LAMP, STEEL HOUSING, 2 BULB FIT.
- ⊕ - 2x2' RECESSED FLUORESCENT LAMP, STEEL HOUSING
- ⊕ - EMERGENCY LIGHT WITH 90 MIN. BATTERY BACKUP
- ⊕ - INCANDESCENT / H.I.D. FIXTURE
- ⊕ - SWITCH
- ⊕ - 3-WAY SWITCH
- ⊕ - EXIT LIGHT, 90 MINUTE BATTERY BACK-UP



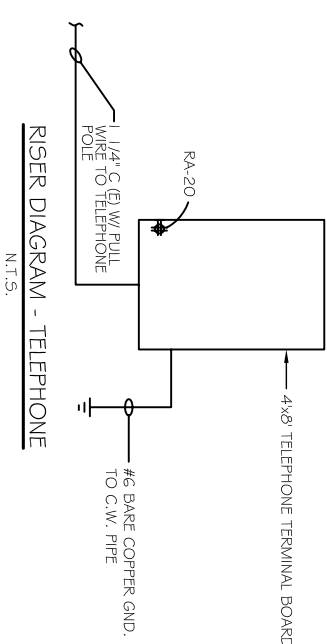
ELECTRICAL SERVICE WIRING DIAGRAM
N.T.S.

SPECIFIC NOTES

- 1. UTILITY CO. SERVICE POLE. COORDINATE LOCATION WITH UTILITY CO. 120/208V, 3Ø, 600A SERVICE
- 2. (6)-500 MCM THHN
- 3. (2) 4" C, 5CH, 80 PVC CONDUIT WITH PULL STRINGS
- 4. NOT USED
- 5. COORDINATE EXACT LOCATION OF METER IN FIELD.
- 6. 5-500 MCM THHN
- 7. 4" C, 5CH, 80 PVC
- 8. 120/208V, 3Ø, 4W, 600A PANEL, MDP (SEE PANELBOARD SCHEDULE SHIT. E-4).
- 9. 3/4" X 1/2" CU CLAD GRND ROD, GRND WIRE 3/0 CU, PROTECTED IN 3/4" PVC PIPE, CONNECTED TO COLD WATER SUPPLIES/LINES AND METAL BUILDING IN ACCORDANCE WITH ARTICLE 250 OF NEC.
- 10. 4#1 THHN
- 11. 1#6 GRND
- 12. 2" C, 5CH, 80 PVC
- 13. 120/208V, 3Ø, 4W, 150A PANEL, 1A (SEE PANELBOARD SCHEDULE SHIT. E-4).
- 14. 4#1 THHN
- 15. 1#6 GRND
- 16. 2" C, 5CH, 80 PVC
- 17. 120/208V, 3Ø, 4W, 150A PANEL, RA (SEE PANELBOARD SCHEDULE SHIT. E-4).
- 18. 4#1 THHN
- 19. 1#6 GRND
- 20. 2" C, 5CH, 80 PVC
- 21. 120/208V, 3Ø, 4W, 150A PANEL, KP (SEE PANELBOARD SCHEDULE SHIT. E-4).
- 22. 3-500 MCM THHN
- 23. 1-350 MCM THHN
- 24. 1-#3 GRND
- 25. 3-1/2" C, 5CH, 80 PVC
- 26. 120/208V, 3Ø, 4W, 400A PANEL, 1AC (SEE PANELBOARD SCHEDULE SHIT. E-4).

LIGHTING FIXTURE SCHEDULE

TYPE	MANUFACTURER	CATALOG NUMBER	DESCRIPTION	TYPE
F1E	LITHONIA	261R2422A19120174	RECESSED	R0327/251K
F1E	LITHONIA	261R2422A19120174	RECESSED	R0327/251K
F1E	LITHONIA	102-821206E81015	RECESSED	R0327/251K
F2	LITHONIA	102-821206E81015	RECESSED	R0327/251K
F3	LITHONIA	102-821206E81015	RECESSED	R0327/251K
F4	LITHONIA	102-821206E81015	RECESSED	R0327/251K
F5	LITHONIA	102-821206E81015	RECESSED	R0327/251K
F6	LITHONIA	102-821206E81015	RECESSED	R0327/251K
F7	LITHONIA	102-821206E81015	RECESSED	R0327/251K
F8	LITHONIA	102-821206E81015	RECESSED	R0327/251K
F9	LITHONIA	102-821206E81015	RECESSED	R0327/251K
F10	LITHONIA	102-821206E81015	RECESSED	R0327/251K
F11	LITHONIA	102-821206E81015	RECESSED	R0327/251K
F12	LITHONIA	102-821206E81015	RECESSED	R0327/251K
F13	LITHONIA	102-821206E81015	RECESSED	R0327/251K
F14	LITHONIA	102-821206E81015	RECESSED	R0327/251K
F15	LITHONIA	102-821206E81015	RECESSED	R0327/251K
F16	LITHONIA	102-821206E81015	RECESSED	R0327/251K
F17	LITHONIA	102-821206E81015	RECESSED	R0327/251K
F18	LITHONIA	102-821206E81015	RECESSED	R0327/251K
F19	LITHONIA	102-821206E81015	RECESSED	R0327/251K
F20	LITHONIA	102-821206E81015	RECESSED	R0327/251K



RISER DIAGRAM - TELEPHONE
N.T.S.

GENERAL NOTES

ALL EQUIPMENT FURNISHED AND ALL WORK SHALL BE IN STRICT CONFORMITY WITH ELECTRICAL SECTION OF REGULATORY INSPECTIONS FOR LOCAL AND STATE FIRE MARSHAL, N.E.C., AND ALL OTHER APPLICABLE LAWS, ORDINANCES, CODES AND RULES OF CONSTRUCTION APPLICABLE IN THE LOCALITY OF WORK.

PERMITS, CERTIFICATES OF INSPECTION AND APPROVAL AS APPLICABLE TO THE VARIOUS PORTIONS OF THE WORK SHALL BE OBTAINED FROM THE INSPECTION AGENCY HAVING JURISDICTION THEREON AND SHALL BE DELIVERED TO THE ARCHITECT PRIOR TO ACCEPTANCE OF THE WORK. PAY ALL FEES REQUIRED IN CONNECTION WITH CAREFUL INSPECTIONS AND PERMITS.

ALL LIGHTING FIXTURES, SWITCHES, RECEPTACLES, PLUGS/OLD ETC. SHALL COMPLY WITH STANDARDS OF U.L. INC.

ELECTRICAL PLANS SHOW GENERAL WORK TO BE PERFORMED BY CONTRACTOR AND HAS BEEN PREPARED TO ASSIST THE CONTRACTOR IN DETERMINING THE TOTAL PROJECT. IT IS THE RESPONSIBILITY OF THE CONTRACTOR TO VISIT THE JOB SITE AND BECOME FAMILIAR WITH EXISTING CONDITIONS WHICH MAY AFFECT HIS WORK AND FINAL BID PRICE.

EACH BRANCH CIRCUIT AND/OR FEEDER SHALL HAVE A GREEN INSULATED EQUIPMENT GROUND CONDUCTOR. ALL PENETRATIONS THROUGH PARTITIONS SHALL BE PROPERLY SEALED TO MAINTAIN FIRE RATING.

THE NUMBER OF CROSSMARKS SHOWN TO INDICATE THE NUMBER OF CONDUCTORS FOR A BRANCH CIRCUIT DOES NOT INCLUDE THE EQUIPMENT GROUND CONDUCTOR.

UPON COMPLETION, CONTRACTOR SHALL FURNISH AS-BUILD SCHEMATIC DRAWING OF ALL VARIATIONS OF EXISTING PLANS TO OWNER.

UPON COMPLETION OF THE WORK, TEST THE NEW INDIVIDUAL SYSTEMS, INCLUDING ALL FEEDERS AND BRANCH CIRCUITS TO RECEPTACLES, LIGHTING WITH A 500 VOLT DC INSULATION TESTER WITH AN 0-200 MEGOHM FULL SCALE.) ALL CONDUCTORS SHALL HAVE INSULATION TESTED WHEN WIRING SYSTEM IS COMPLETE AND A LOG KEPT OF THE CIRCUIT NAME, DATE AND MEGGER READINGS. RECORD FEEDER AND/OR CIRCUIT NAME, READINGS IN OHMS, AND SUBMIT REPORT TO ARCHITECT. CHECK FOR PROPER PHASE ROTATION. ALL TEST REPORTS SHALL BE TYPED. PROVIDE ALL INSTRUMENTS, LABOR, ETC. REQUIRED FOR TESTING. ALL TESTING SHALL BE OBSERVED BY THE ARCHITECT AND/OR REPRESENTATIVES OF ARCHITECT.

UPON COMPLETION OF ALL TESTS AND ACCEPTANCE, THE CONTRACTOR SHALL FURNISH THE OWNER A WRITTEN GUARANTEE COVERING THE ELECTRICAL WORK DONE AND EQUIPMENT INSTALLED FOR A PERIOD OF ONE YEAR FROM THE DATE OF ACCEPTANCE. DURING THE GUARANTEE PERIOD THE CONTRACTOR SHALL REPAIR AND REPLACE ANY DEFECTIVE MATERIAL OR WORKMANSHIP AND REPAIR DAMAGE CAUSED THEREBY WITHOUT ANY ADDITIONAL COST TO THE OWNER.

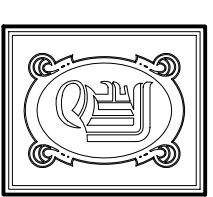
CONTRACTOR SHALL COORDINATE MOUNTING HEIGHTS OF ALL WALL MOUNTED EQUIPMENT, WIRING DEVICES, ETC., WITH ARCHITECTURAL DRAWINGS PRIOR TO START OF ROUGH IN.

CONTRACTOR SHALL INSTALL ALL OWNER FURNISHED EQUIPMENT. THIS INCLUDES, BUT NOT LIMITED TO ALL REQUIRED BOXES, FITTINGS, ASSOCIATED WIRING, RACEWAYS, ETC. CONTRACTOR SHALL COORDINATE ALL REQUIREMENTS WITH APPROPRIATE EQUIPMENT VENDOR PRIOR TO START OF ROUGH IN. CONTRACTOR SHALL MAKE ALL REQUIRED FINAL TERMINATIONS.

CONTRACTOR SHALL LOOP CONDUIT FROM ONE DEVICE BOX TO THE OTHER OR ONE LIGHT FIXTURE BOX TO THE OTHER LIGHT FIXTURE BOX AND ALL SPLICES SHALL BE MADE IN THE DEVICE BOXES AND FIXTURE JUNCTION BOXES. DO NOT INSTALL ADDITIONAL JUNCTION BOXES IN CEILING OR WALLS TO BRANCH OFF CIRCUITS.

WHERE OVERSIZED CONDUITS OR CONDUCTORS ARE INDICATED, THE CONDUIT AND WIRE SIZE SHALL BE INSTALLED THROUGHOUT THE ENTIRE CIRCUIT.

ALL INSTALLATION INDICATED IN CONTRACT DOCUMENTS SHALL BE FLUSH MOUNTED IN WALLS OR CEILING, ALL SURFACE MOUNTED OR EXPOSED IS ACCEPTED ONLY IN WRITING BY ARCHITECT GRANTING APPROVAL.



DAMMON ENGINEERING, INC.
 CHIEF ENGINEER
 EMMETT DAMMON, P.E.
 CHIEF ARCHITECT
 ROBERT WILTSIE

1095 FLORIDA AVENUE
 SUDELL, LA, 70458
 OFFICE: 985-649-5832
 FAX: 985-641-5950
 WEBSITE: WWW/DAMMONENGINEERING.COM
 EMAIL: DAMMONENG@BELL-SOUTH.NET

ARCHITECTURE
 ENGINEERING
 STUDIES
 PLANNING
 INVESTIGATION
 EXPERT WITNESSES

NEW OFFICE COMPLEX
 CHILD DEVELOPMENT COUNCIL OF ACADIANA, INC. OPELOUSAS, LA

ELECTRICAL TITLE SHEET

REV:
 SCALE: AS NOTED
 JOB#: 2030
 DATE: 7-2-09
 SHEET

E-1

OF