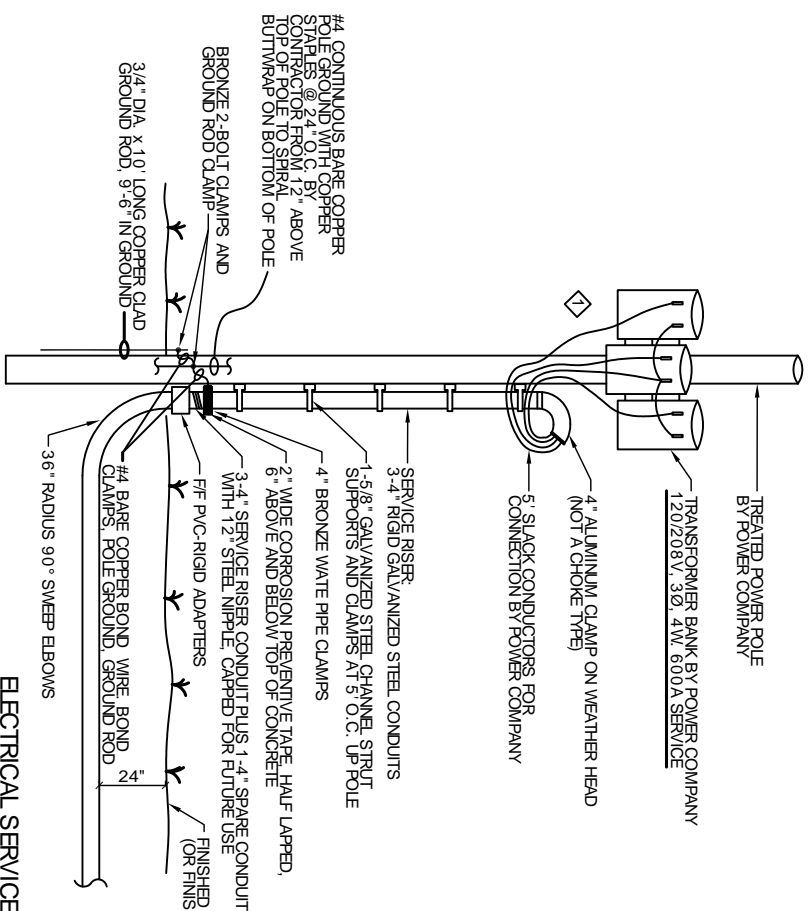
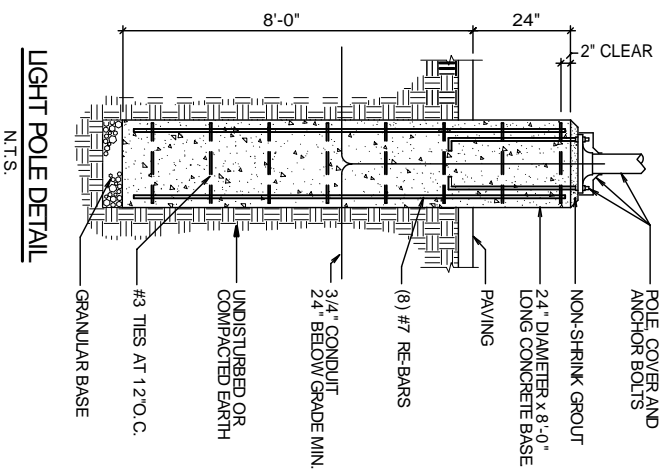


**LEGEND**

- ☐ - POWER PANEL
- ☐ - 120V, 20A DUPLEX RECEPTACLE 20A, 1Ø, 120V, 3 POLES, GROUND
- ☐ - 120V, GROUND FAULT INTERRUPTER RECEPTACLE
- ☐ - 120V, WEATHER PROOF RECEPTACLE GROUND
- ☐ - 208V, RECEPTACLE 1Ø, 50A GROUND
- ☐ - COMBINATION TEL./DATA OUTLET 1-GANG, 1B, W/ 1 C (E) STUBBED UP ABOVE ACCESSIBLE CEILING W/ PULL STRING
- ☐ - 208V, RECEPTACLE 1Ø, 20A GROUND
- ☐ - RECEPT. @ COUNTERTOP HEIGHT COORDINATE WITH OWNER
- ☐ - 120V, RECEPTACLE - FOURPLEX 1Ø, 20A GROUND
- ☐ - DISCONNECT
- ☐ - EXHAUST FAN
- ☐ - WATER HEATER
- ☐ - 2x4' RECESSED FLUORESCENT LAMP, STEEL HOUSING
- ☐ - 1x4' RECESSED FLUORESCENT LAMP, STEEL HOUSING, 2 BULB FIXT.
- ☐ - 2x2' RECESSED FLUORESCENT LAMP, STEEL HOUSING
- ☐ - EMERGENCY LIGHT WITH 90 MIN. BATTERY BACKUP
- - INCANDESCENT / H.I.D. FIXTURE
- - SWITCH
- - 3-WAY SWITCH
- ☐ - EXT. LIGHT, 90 MINUTE BATTERY BACK-UP



**SPECIFIC NOTES**

- 1 UTILITY CO. SERVICE POLE COORDINATE LOCATION WITH UTILITY CO.
- 2 120/208V, 3Ø, 600A SERVICE
- 3 (6)-500 MCM THHN
- 4 (1) 4\"/>

LIGHTING FIXTURE SCHEDULE		
TYPE	MANUFACTURER CATALOG NUMBER	DESCRIPTION TYPE
F1	LITHONIA 2618432A19120 1/4 GEB101S	RECESSED F032/25K
F1E	LITHONIA 2618432A19120 1/4 GEB101S	RECESSED F032/25K
F2	LITHONIA LB232120GEB101S	RECESSED F032/25K
F3	LITHONIA AF 2/26 DTB6AR20	RECESSED 26W
F4	LITHONIA VR4C 100MM 120 NLP1	SURFACE 100MMH
F5	LITHONIA SB232 A12 120V-GE8	SURFACE 2-32 TB 25K
EM	LITHONIA LQMSVWR120277BN	LED
EM	LITHONIA 6ELW2	LED

**GENERAL NOTES**

ALL EQUIPMENT FINISHED AND ALL WORK SHALL BE IN STRICT COMPLIANCE WITH ELECTRICAL SECTION OF REGULATORY INSPECTIONS FOR LOCAL AND STATE FIRE MARSHALL, N.E.C. AND ALL OTHER APPLICABLE LAWS, ORDINANCES, CODES AND RULES OF CONSTRUCTION APPLICABLE IN THE LOCALITY OF WORK.

BRANITS, CERTIFICATES OF INSPECTION AND APPROVAL AS APPLICABLE TO THE VARIOUS PORTIONS OF THE WORK SHALL BE OBTAINED FROM THE INSPECTION AGENCY HAVING JURISDICTION THEREON AND SHALL BE DELIVERED TO THE ARCHITECT FROM THE ACCEPTANCE OF THE WORK. PAY ALL FEES REQUIRED IN CONNECTION WITH CANONS INSPECTIONS AND PERMITS.

ALL LIGHTING FIXTURES, SWITCHES, RECEPTACLES, PLUGMOLD ETC. SHALL COMPLY WITH STANDARDS OF UL, INC.

ELECTRICAL PLANS SHOW GENERAL WORK TO BE PERFORMED BY CONTRACTOR AND HAS BEEN PREPARED TO ASSIST THE CONTRACTOR IN PREPARING HIS PROPOSED CODE FOR THE TOTAL PROJECT. IT IS THE RESPONSIBILITY OF THE CONTRACTOR TO VISIT THE JOB SITE AND BECOME FAMILIAR WITH EXISTING CONDITIONS WHICH MAY AFFECT HIS WORK AND FINAL BID PRICE.

EACH BRANCH CIRCUIT AND/OR FEEDER SHALL HAVE A GREEN INSULATED EQUIPMENT GROUND CONDUCTOR ALL PENETRATIONS THROUGH PARTITIONS SHALL BE PROPERLY SEALED TO MAINTAIN FIRE RATING.

THE NUMBER OF CROSSMARKS SHOWN TO INDICATE THE NUMBER OF CONDUCTORS FOR A BRANCH CIRCUIT DOES NOT INCLUDE THE EQUIPMENT GROUND CONDUCTOR.

UPON COMPLETION CONTRACTOR SHALL FURNISH AS-BUILD SCHEMATIC DRAWINGS OF ALL VARIATIONS OF EXISTING PLANS TO OWNER.

UPON COMPLETION OF THE WORK TEST THE NEW INDIVIDUAL SYSTEMS, INCLUDING ALL FEEDERS AND BRANCH CIRCUITS TO RECEPTACLES. LIGHTING WITH A 500 VOLT DC INSULATION TESTER (WITH AN 0-2:00 MEGOHM FULL SCALE.) ALL CONDUCTORS SHALL HAVE INSULATION TESTED WHEN WIRING SYSTEM IS COMPLETE AND A LOG KEPT OF THE CIRCUIT NAME, DATE AND MEGGER READINGS. RECORD FEEDER AND/OR CIRCUIT NAME READINGS IN OHMS, AND SUBMIT REPORT TO ARCHITECT. CHECK FOR PROPER PHASE ROTATION. ALL TEST REPORTS SHALL BE TYPED. PROVIDE ALL INSTRUMENTS, LABOR, ETC. REQUIRED FOR TESTING. ALL TESTING SHALL BE OBSERVED BY THE ARCHITECT AND/OR REPRESENTATIVES OF ARCHITECT.

UPON COMPLETION OF ALL TESTS AND ACCEPTANCE, THE CONTRACTOR SHALL FURNISH THE OWNER A WRITTEN GUARANTEE COVERING THE ELECTRICAL WORK DONE AND EQUIPMENT INSTALLED FOR A PERIOD OF ONE YEAR FROM THE DATE OF ACCEPTANCE. DURING THE GUARANTEE PERIOD THE CONTRACTOR SHALL RECTIFY AND REPLACE ANY DEFECTIVE MATERIAL OR WORKMANSHIP AND REPAIR DAMAGE CAUSED THEREBY WITHOUT ANY ADDITIONAL COST TO THE OWNER.

CONTRACTOR SHALL COORDINATE MOUNTING HEIGHTS OF ALL WALL MOUNTED EQUIPMENT, WIRING DEVICES, ETC., WITH ARCHITECTURAL DRAWINGS PRIOR TO START OF ROUGH IN.

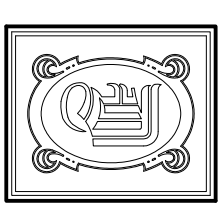
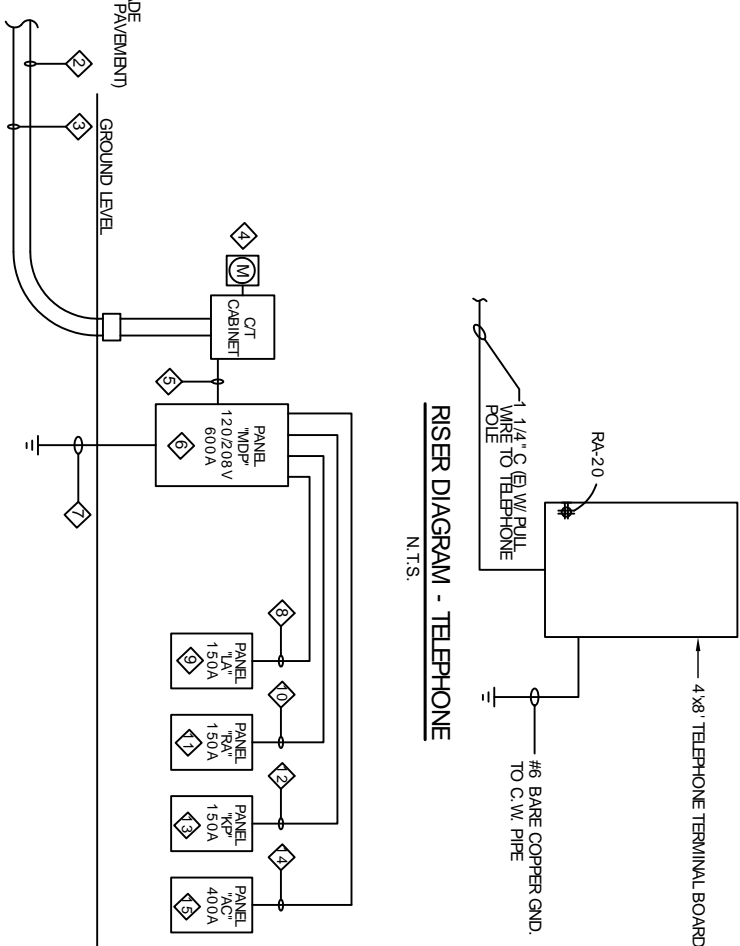
CONTRACTOR SHALL INSTALL ALL OWNER FINISHED EQUIPMENT. THIS INCLUDES BUT NOT LIMITED TO ALL REQUIRED BOXES, FITTINGS, ASSOCIATED WIRING, RACKS, ETC. CONTRACTOR SHALL COORDINATE ALL REQUIREMENTS WITH APPROPRIATE EQUIPMENT VENDOR PRIOR TO START OF ROUGH IN. CONTRACTOR SHALL MAKE ALL REQUIRED FINAL TERMINATIONS.

CONTRACTOR SHALL LOOP CONDUIT FROM ONE DEVICE BOX TO THE OTHER OR ONE LIGHT FIXTURE BOX TO THE OTHER LIGHT FIXTURE BOX AND ALL SPLICES SHALL BE MADE IN THE DEVICE BOXES AND FIXTURE JUNCTION BOXES. DO NOT INSTALL ADDITIONAL JUNCTION BOXES IN CEILINGS OR WALLS TO BRANCH OFF CIRCUITS.

WHERE OVERSIZED CONDUITS OR CONDUCTORS ARE INDICATED, THE CONDUIT AND WIRE SIZE SHALL BE INSTALLED THROUGHOUT THE ENTIRE CIRCUIT.

ALL INSTALLATION INDICATED IN CONTRACT DOCUMENTS SHALL BE FLUSH MOUNTED IN WALLS OR CEILINGS. SURFACE MOUNTED OR EXPOSED IS ACCEPTED ONLY IN WRITING BY ARCHITECT GRANTING APPROVAL.

**RISER DIAGRAM - TELEPHONE**



**DAMMON ENGINEERING, INC.**  
 CHIEF ENGINEER  
 EMMETT DAMMON, P.E.  
 CHIEF ARCHITECT  
 ROBERT WILTSE

1095 FLORIDA AVENUE  
 SLIDELL, LA. 70458  
 OFFICE: 985-649-5832  
 FAX: 985-641-5950  
 WEBSITE: WWW.DAMMONENGINEERING.COM

ARCHITECTURE  
 ENGINEERING  
 STUDIES  
 PLANNING  
 INVESTIGATION  
 EXPERT WITNESS

**NEW OFFICE COMPLEX**

CHILD DEVELOPMENT COUNCIL OF ACADIANA, INC. OPELOUSAS, LA

**ELECTRICAL TITLE SHEET**

REV: 12-7-09 CONST.

SCALE: AS NOTED

JOB#: 2030

DATE: 10-19-09

SHEET 21