

DAMMON
ENGINEERING, INC.
CHIEF ENGINEER
EMMETT
DAMMON, P.E.
CHIEF ARCHITECT
ROBERT
WILLIWE

1095 FLORIDA AVENUE
SLIDELL, LA, 70458
OFFICE: 985-649-5632
FAX: 985-641-5950

WEBSITE:
WWW.DAMMONENGINEERING.COM
EMAIL:
DAMMONEN@Bellsouth.net

ARCHITECTURE
ENGINEERING
STUDIES
PLANNING
INVESTIGATION
EXPERT WITNESSES

NEW OFFICE
COMPLEX

CHILD DEVELOPMENT
COUNCIL OF
ACADIANA, INC.
OPELOUSAS, LA

PAVING
PLAN

REV: 12-7-09 CONST.

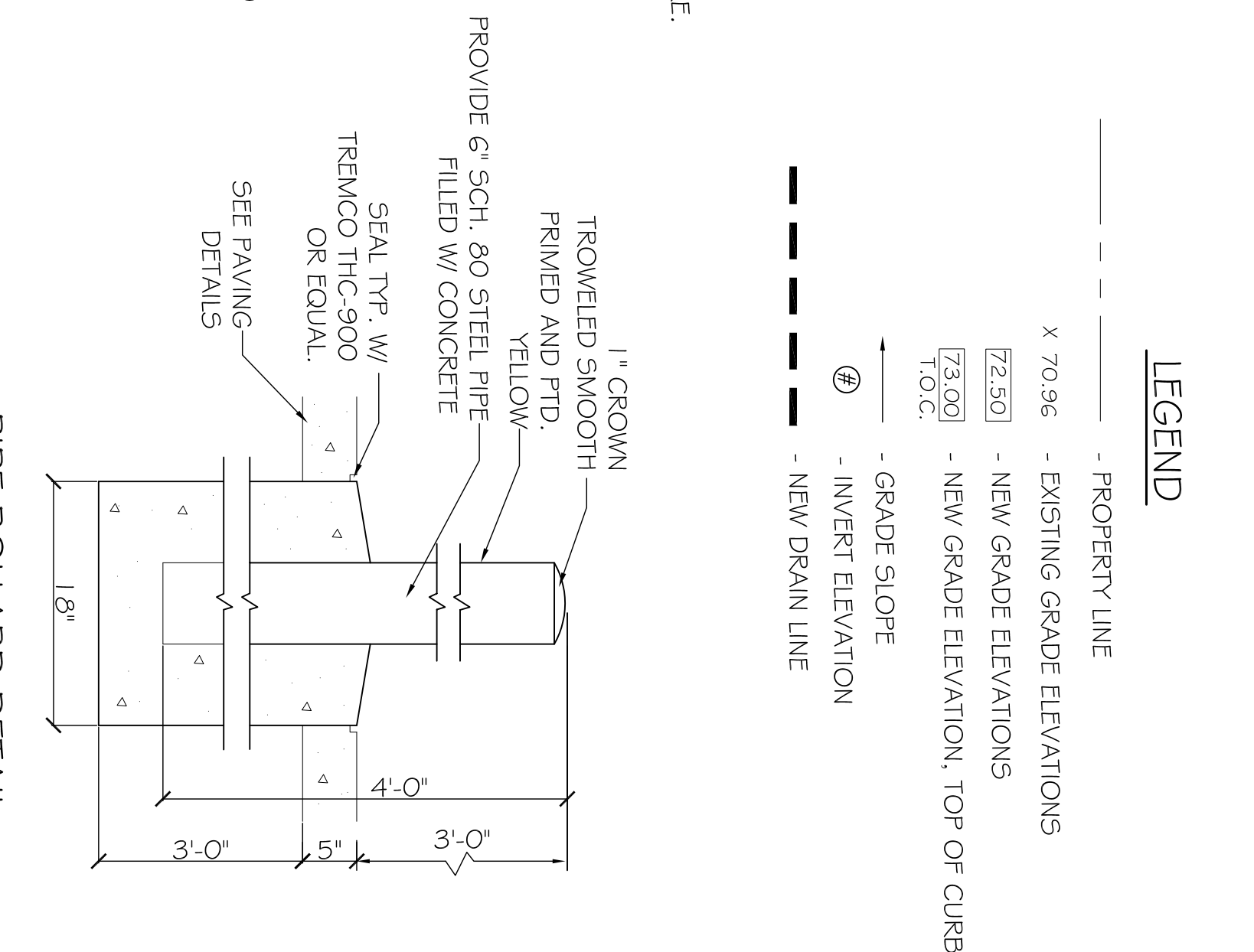
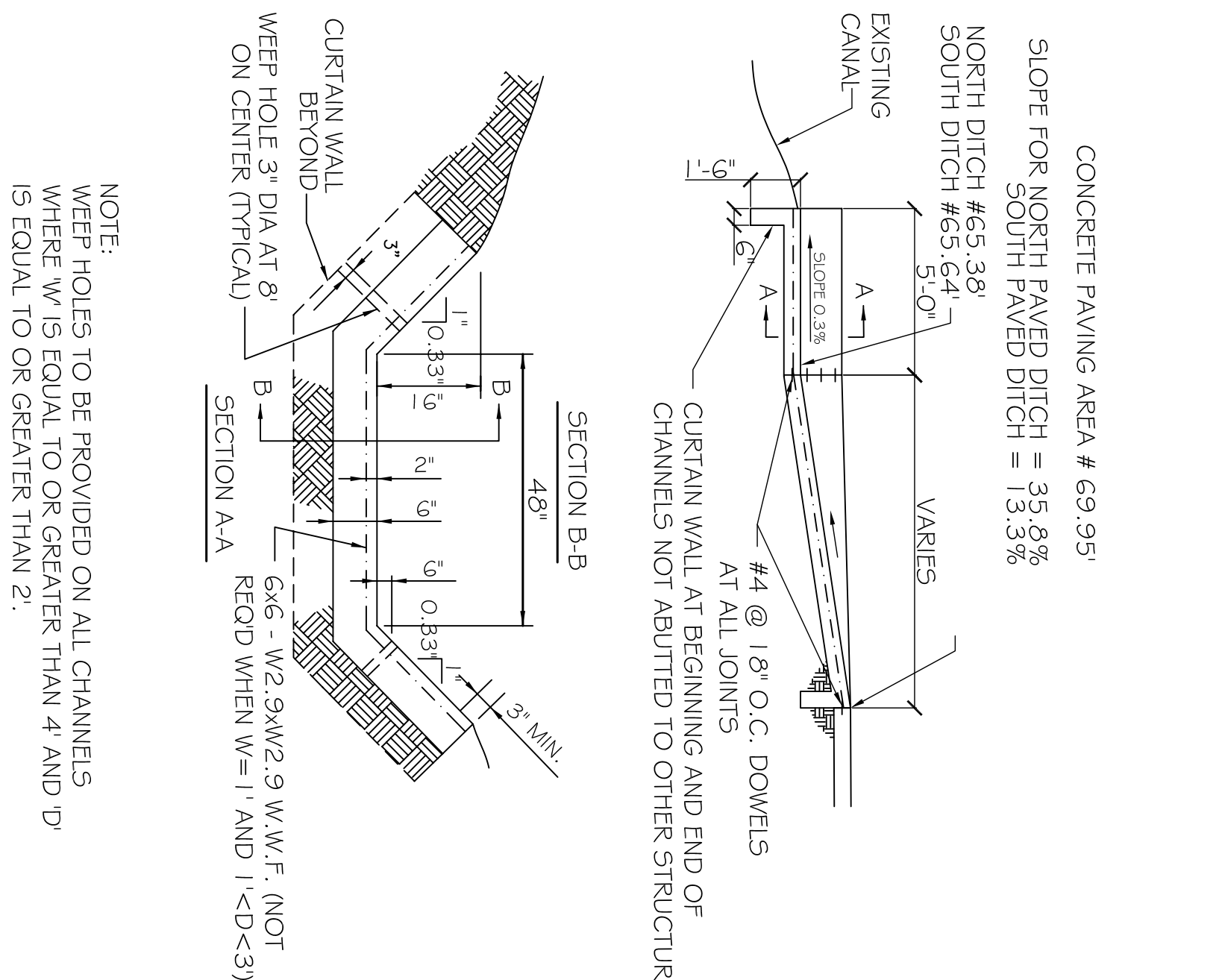
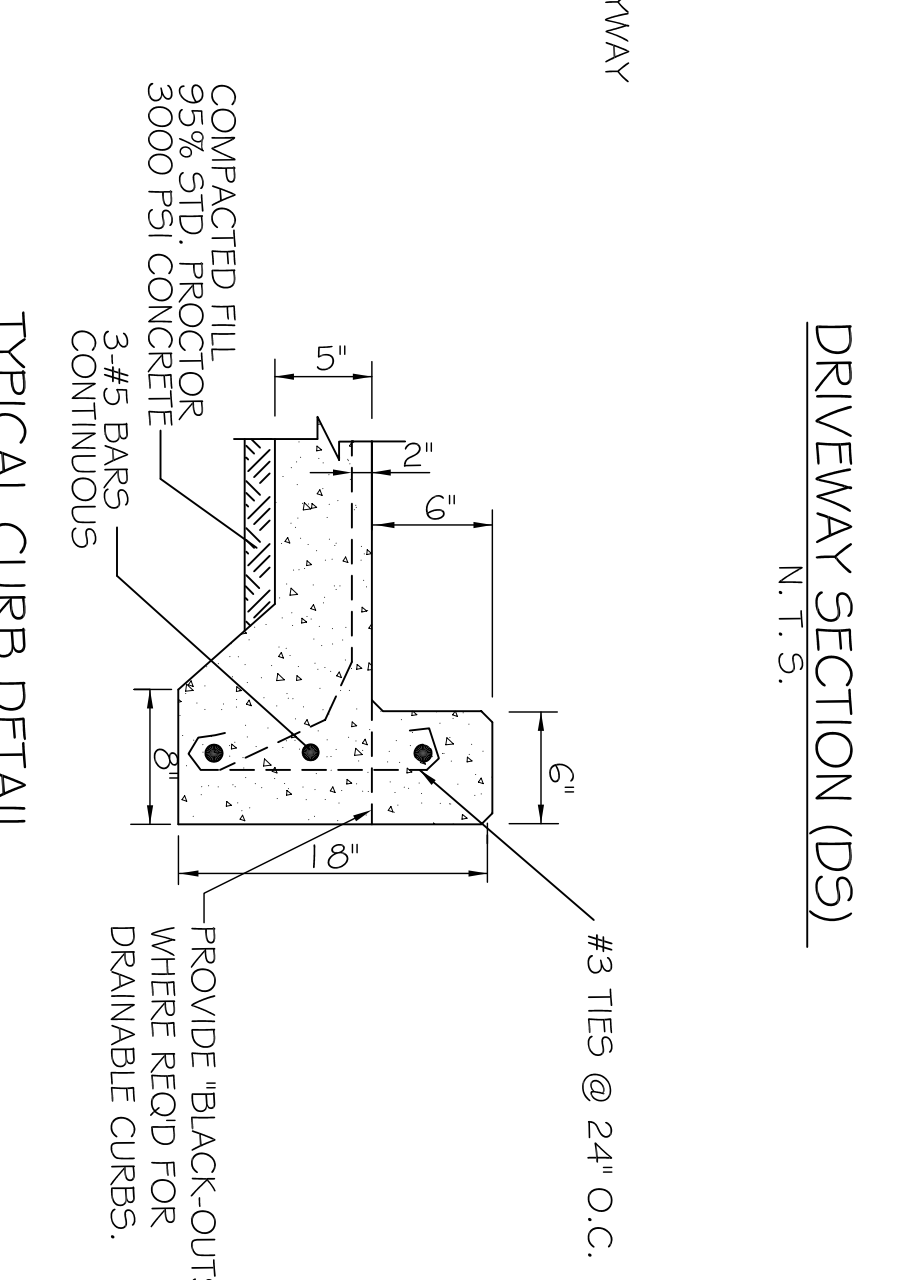
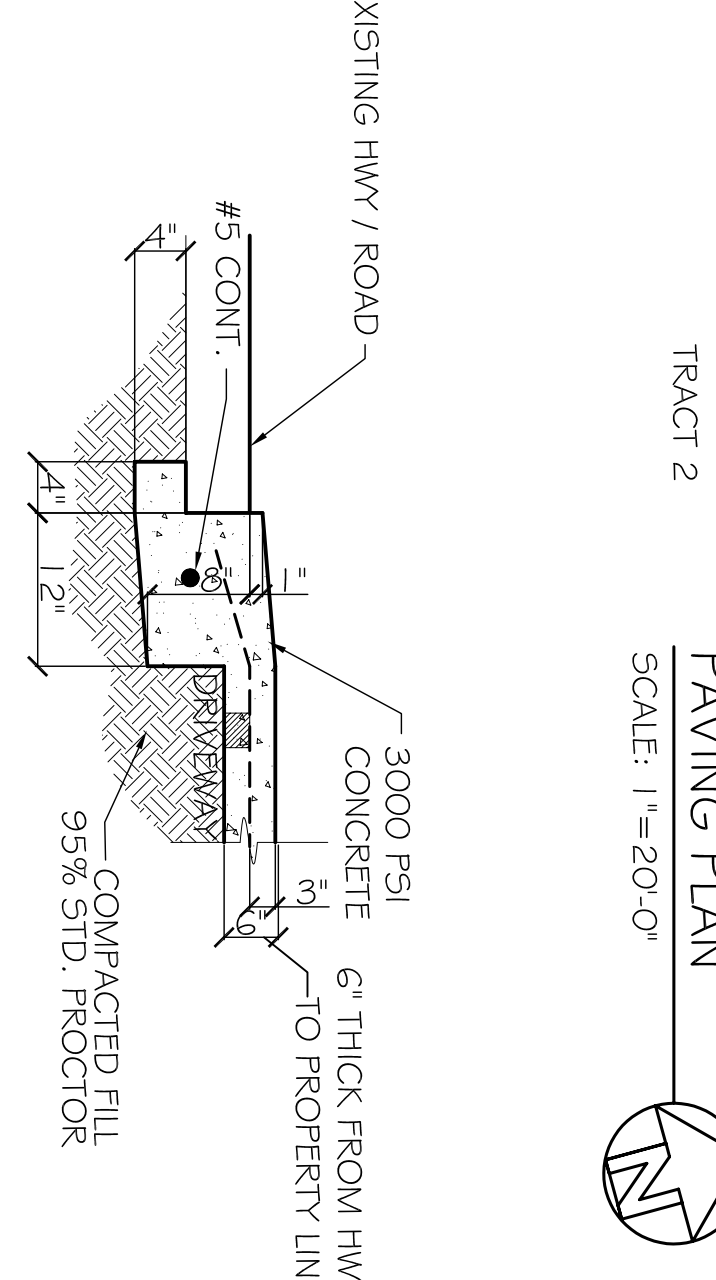
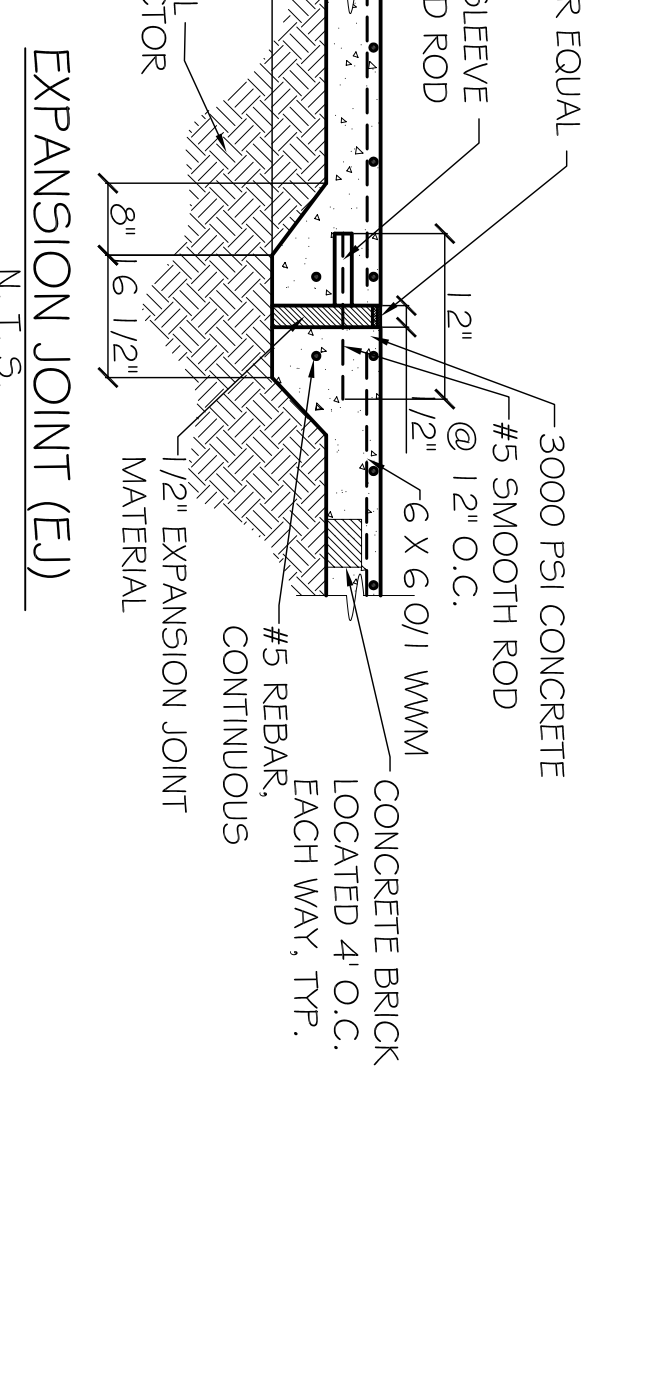
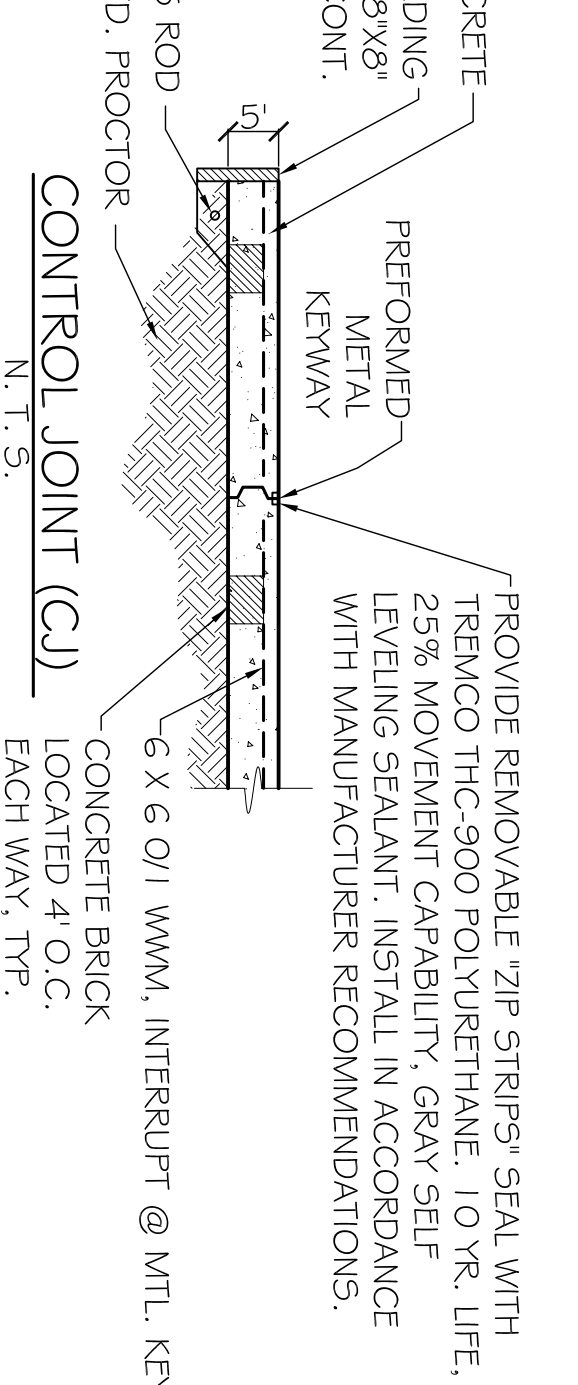
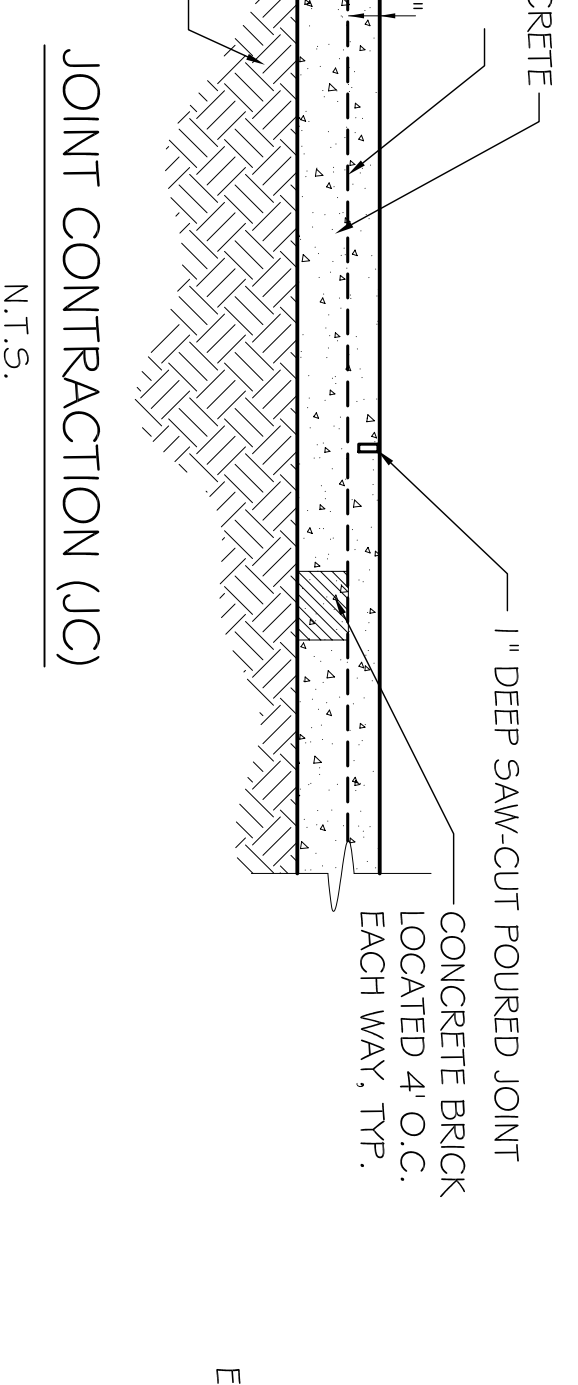
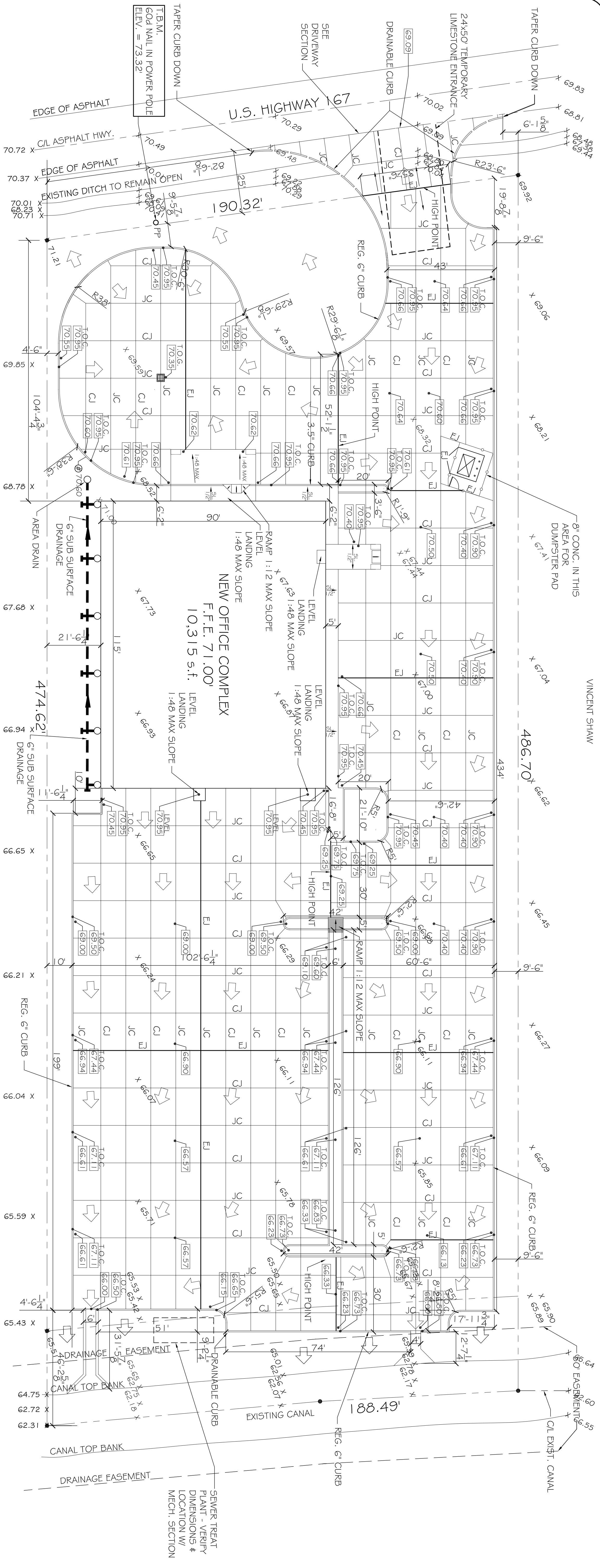
SCALE: AS NOTED

JOB#: 2030

DATE: 10-19-09

SHEET 5

C-4



LEGEND

- PROPERTY LINE
- x 70.96 - EXISTING GRADE ELEVATIONS
- (72.50) - NEW GRADE ELEVATIONS
- (73.00) - NEW GRADE ELEVATION, TOP OF CURB
- GRADE SLOPE
- INVERT ELEVATION
- NEW DRAIN LINE