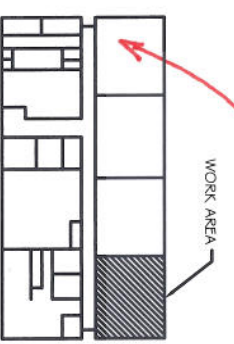
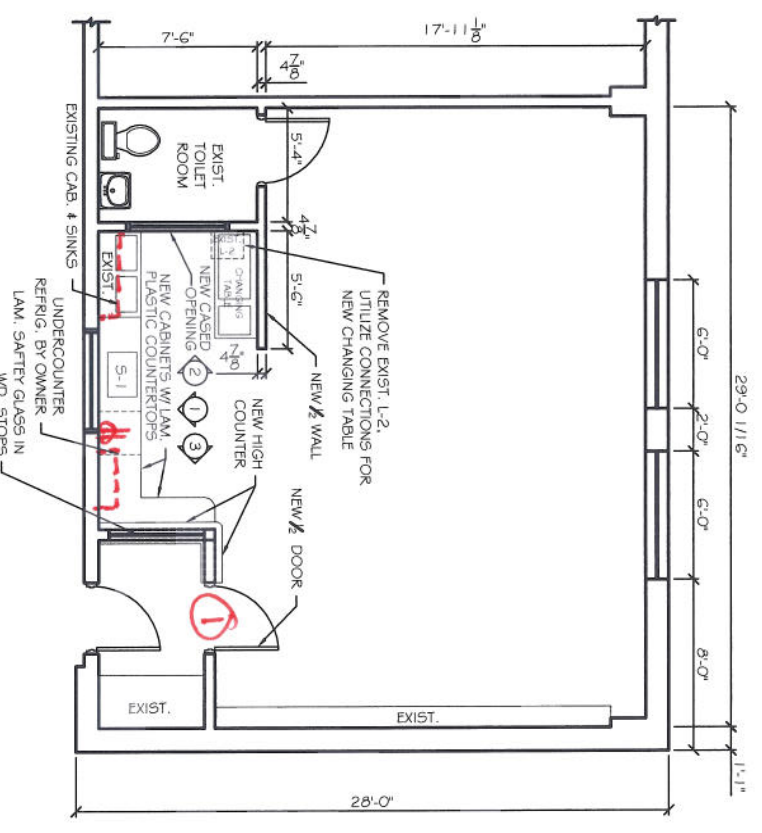


*This is the classroom we are modeling after.*



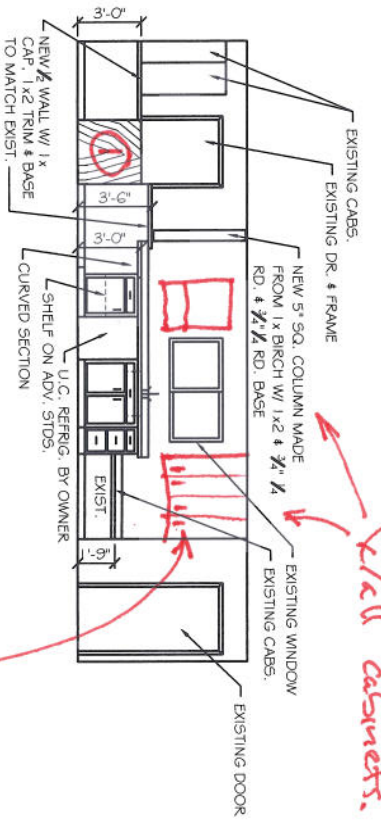
KEY PLAN



FLOOR PLAN  
SCALE: 1/4"=1'-0"

**NOTES**

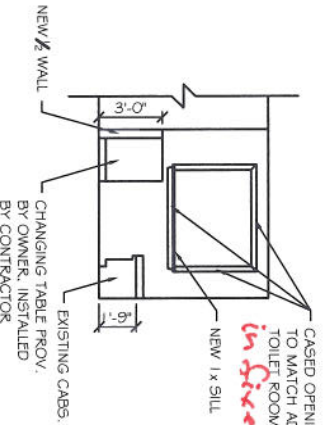
1. IN GENERAL, FINISHES, MATERIALS, ETC. TO MATCH EXISTING.
2. CONNECT TO EXIST. ELEC. PLUMBING, ETC. AS RECD.
3. RELOCATE VARIOUS ITEMS AS RECD.
4. DR. MK. 1 TO BE SOLID CORE WD. DR. W/ LEVER. PASSAGE LOCK W/ CONT. STOP @ STRIKE.
5. ~~DR. MK. 2 TO BE L-2 SOLID CORE WD. DR. W/ LEVER. PASSAGE LOCK W/ CONT. STOP @ HINGES IN HOLD-OPEN FRAME SIM. TO EXIST. W/ LEVER PASSAGE LOCK. PROVIDE IN WALL FRAMING AS RECD.~~
6. SINK S-1 TO BE ELKAY DLR312212 W/ 710-WP-RP FAUCET & RETRACTABLE SPRAY & HOSE. CAST P. TRAP W/ CLEANOUT, ANGLE STOPS, STRAINER, ETC. AS RECD. FOR A COMPLETE INSTALLATION.
7. NEW 1/2 WALLS TO BE CONSTRUCTED OF TYPE 'X' GYP. BD. ON EA. SIDE OF 2x4 STUDS @ 16" O.C. OR 3 1/2" MET. STUDS @ 16" O.C.



INTERIOR ELEVATION #1  
SCALE: 1/4"=1'-0"

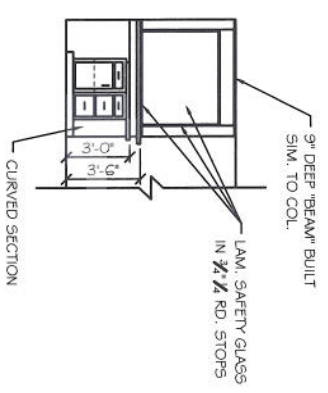
*This cabinet is existing.*

*Wall cabinets.*

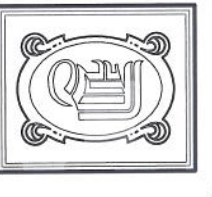


INTERIOR ELEVATION #2  
SCALE: 1/4"=1'-0"

*in fixed w/ glass stops*



INTERIOR ELEVATION #3  
SCALE: 1/4"=1'-0"



**DAMMON ENGINEERING, INC.**

CHIEF ENGINEER  
EMMETT DAMMON, P.E.  
CHIEF ARCHITECT  
ROBERT WILTSE

1095 FLORIDA AVENUE  
SUITE 110, 70453  
OFFICE: 985-649-5632  
FAX: 985-641-5950

WWW.DAMMONENGINEERING.COM  
EMAIL: DAMMONENG@BELLSOUTH.NET

ARCHITECTURE  
ENGINEERING  
STUDIES  
PLANNING  
INVESTIGATION  
DEPERT WITNESS

NEW LEBEAU  
HEAD START  
CLASSROOM  
RENOVATIONS

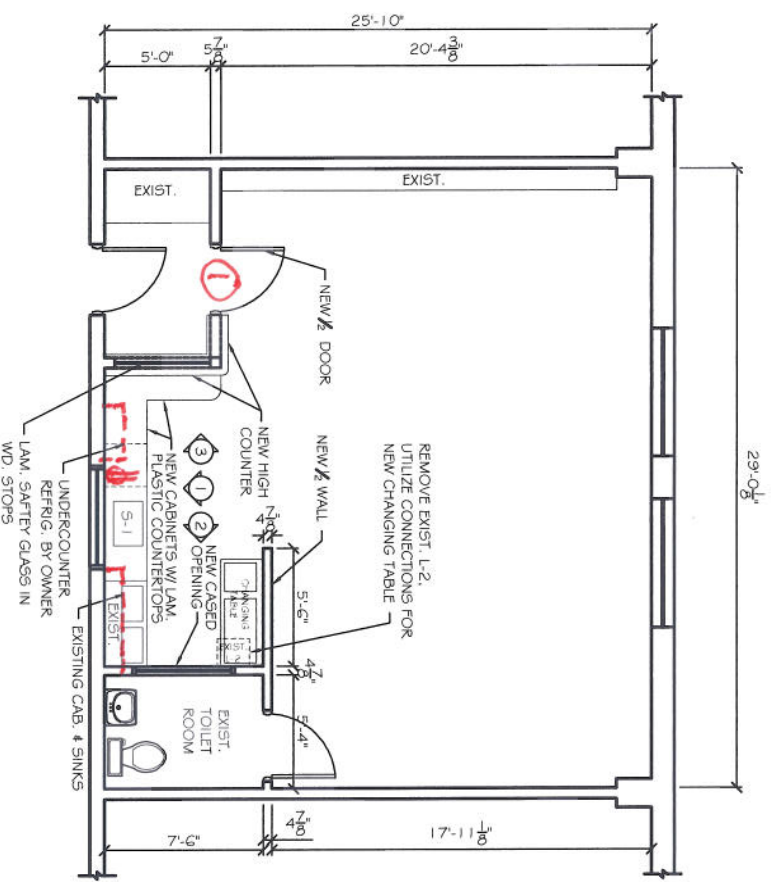
EARLY HEAD START  
HWY 10  
LEBEAU, LA

FLOOR PLAN,  
ELEVATIONS  
AND NOTES

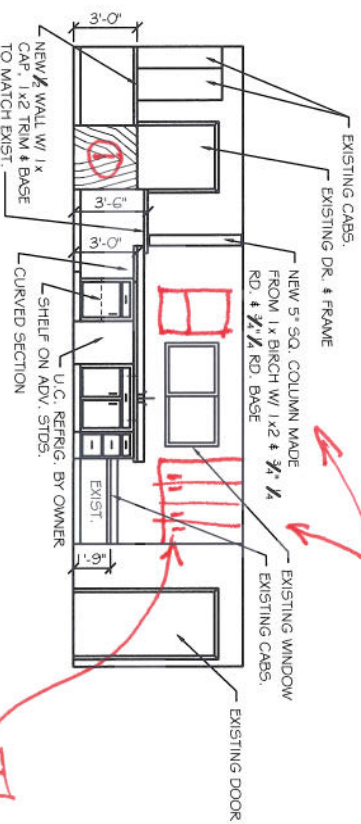
|        |          |
|--------|----------|
| REV:   |          |
| SCALE: | AS NOTED |
| JOB#:  | 2052     |
| DATE:  | 12-11-09 |
| SHEET  | 1        |

A-1

OF 1

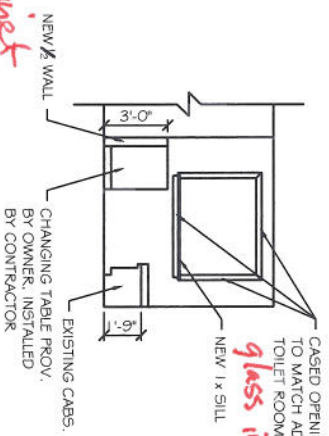


FLOOR PLAN  
SCALE: 1/4"=1'-0"



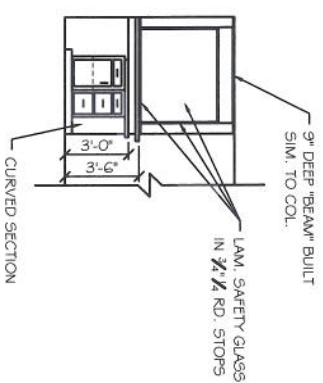
INTERIOR ELEVATION #1  
SCALE: 1/4"=1'-0"

*Wall cabinets  
This cabinet is existing.*

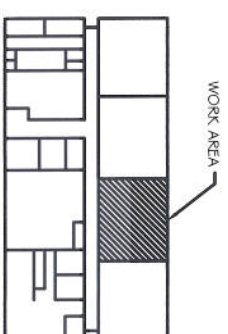


INTERIOR ELEVATION #2  
SCALE: 1/4"=1'-0"

*glass in fixed stops*

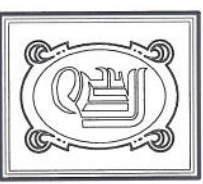


INTERIOR ELEVATION #3  
SCALE: 1/4"=1'-0"



KEY PLAN

- NOTES**
1. IN GENERAL, FINISHES, MATERIALS, ETC. TO MATCH EXISTING.
  2. CONNECT TO EXIST. ELEC. PLUMBING, ETC. AS REQD.
  3. RELOCATE VARIOUS ITEMS AS REQD.
  4. DR. MK. 1 TO BE SOLID CORE WD. DR. W/ LEVER "PASSAGE" LOCK W/ CONT. STOP @ STRIKE.
  5. ~~DR. MK. 2 TO BE 72" SOLID CORE WD. DR. W/ LEVER "PASSAGE" LOCK W/ CONT. STOP @ HINGES IN DOOR MET. FRAME SIM. TO EXIST. W/ LEVER "PASSAGE" LOCK PROVIDER IN W/ MET FRAMING AS REQD.~~
  6. SINK S-1 TO BE ELKAY DLK312212 W/ 71.0" W/ HD' FAUCET & RETRACTABLE SPRAY & HOSE, CAST P. TRAP W/ CLEANOUT, ANGLE STOPS, STRAINER, ETC. AS REQD. FOR A COMPLETE INSTALLATION.
  7. NEW 1/2 WALLS TO BE CONSTRUCTED OF TYPE "X" GYP. BD. ON EA. SIDE OF 2x4 STUDS @ 16" O.C., OR 3 1/2" MET STUDES @ 16" O.C.



**DAMMON**  
ENGINEERING, INC.

CHIEF ENGINEER  
EMMETT  
DAMMON, P.E.  
CHIEF ARCHITECT  
ROBERT  
WILTSE

1095 FLORIDA AVENUE  
SUITE LL, LA, 70456  
OFFICE: 905-649-5632  
FAX: 905-641-5950

WEBSITE: WWW.DAMMONENGINEERING.COM  
EMAIL: DAMMONENG@DELTAOUTLINE.IT

ARCHITECTURE  
ENGINEERING  
STUDIES  
PLANNING  
INVESTIGATION  
EXPERT WITNESS

NEW MELVILLE  
HEAD START  
CLASSROOM  
RENOVATIONS

EARLY HEAD START  
HWY 105  
MELVILLE, LA

FLOOR PLAN,  
ELEVATIONS  
AND NOTES

|        |          |
|--------|----------|
| REV:   |          |
| SCALE: | AS NOTED |
| JOB#:  | 2052     |
| DATE:  | 12-11-09 |
| SHEET  | 1        |

A-1

OF 1

