

DAMMON ENGINEERING, INC.

CHIEF ENGINEER
 EMMETT DAMMON, P.E.
 CHIEF ARCHITECT
 ROBERT WILTSE

1095 FLORIDA AVENUE
 SLIDELL, LA. 70458
 OFFICE: 985-649-5832
 FAX: 985-641-5950

WEBSITE:
 WWW.DAMMONENGINEERING.COM
 EMAIL:
 DAMMONENG@PELSOUTH.NET

ARCHITECTURE
 ENGINEERING
 STUDIES
 PLANNING
 INVESTIGATION
 EXPERT WITNESS

OPELOUSAS
 HEAD START
 CLASSROOM
 RENOVATIONS

EARLY HEAD START

OPELOUSAS, LA

FLOOR PLAN,
 ELEVATIONS
 AND NOTES

REV:

SCALE: AS NOTED

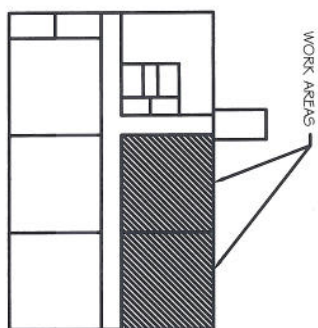
JOB#: 2052

DATE: 12-11-09

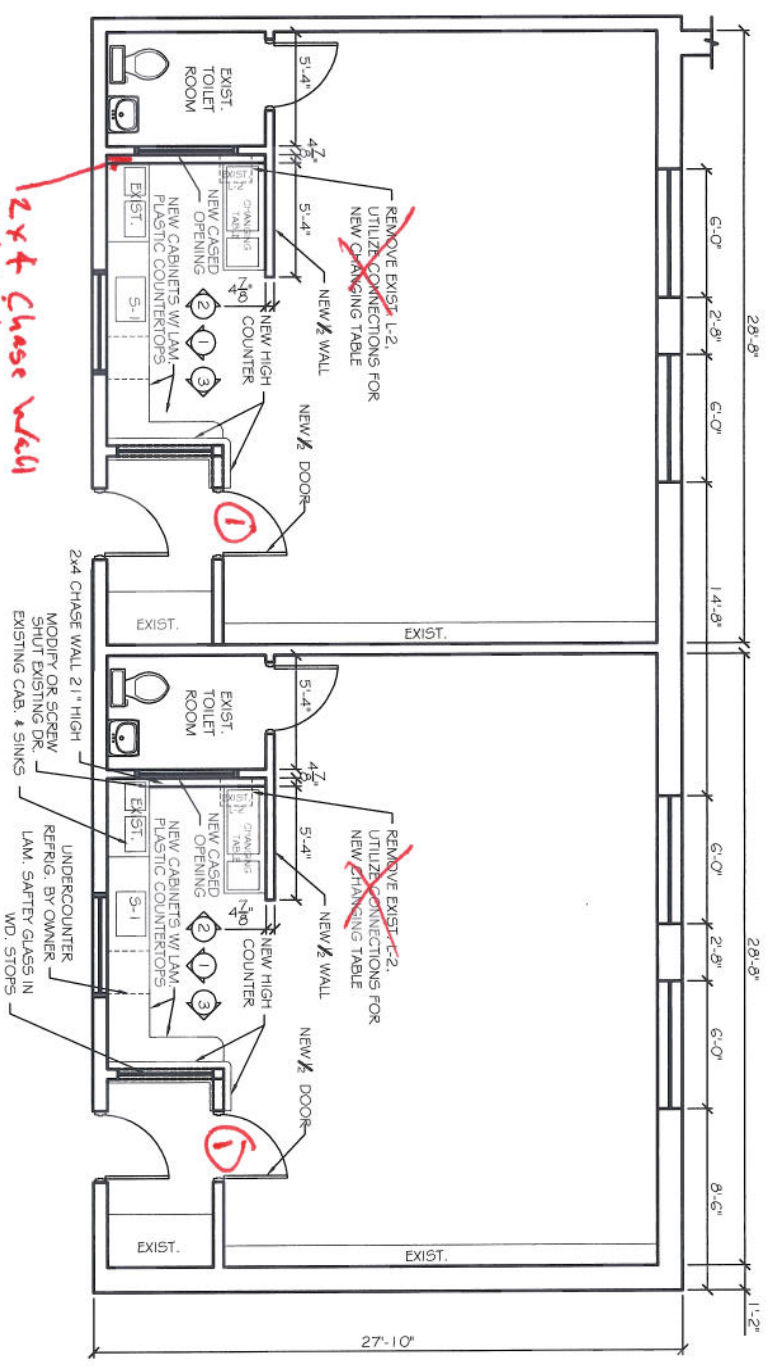
SHEET 1

A-1

OF 1

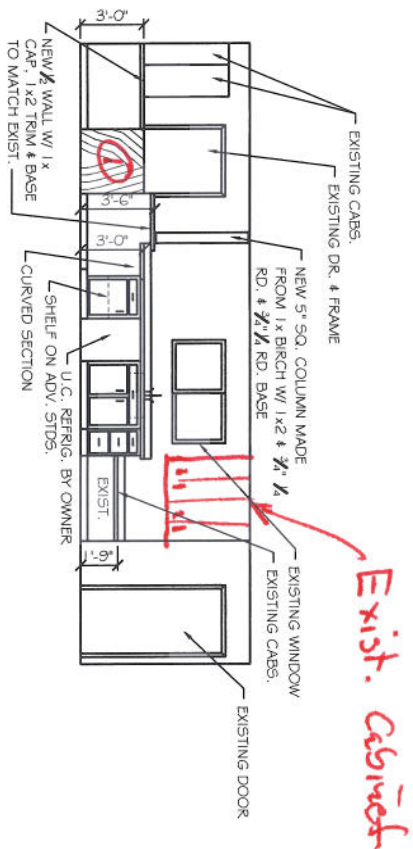


KEY PLAN

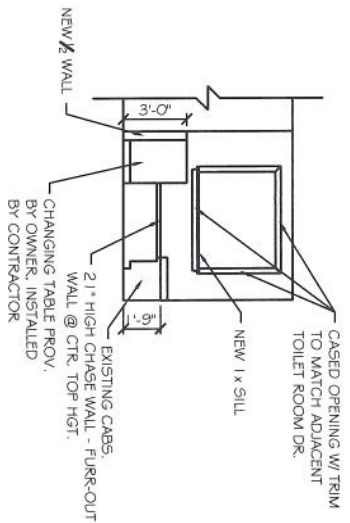


FLOOR PLAN
 SCALE: 1/4"=1'-0"

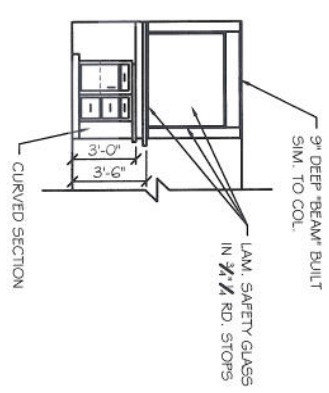
- NOTES**
1. IN GENERAL, FINISHES, MATERIALS, ETC. TO MATCH EXISTING.
 2. CONNECT TO EXIST. ELEC. PLUMBING, ETC. AS REQD.
 3. RELOCATE VARIOUS ITEMS AS REQD.
 4. DR. MK. 1 TO BE SOLID CORE WD. DR. W/ LEVER PASSAGE LOCK W/ CONT. STOP @ STRIKE.
 5. ~~DR. MK. 2 TO BE 1/2\"/>~~
 6. SINK S-1 TO BE ELKAY DLK312212 W/ 7.10-W/HD/FALCET. & RETRACTABLE SPRAY & HOSE, CAST P. TRAP W/ CLEANOUT, ANGLE STOPS, STRAINER, ETC. AS REQD. FOR A COMPLETE INSTALLATION.
 7. NEW 1/2 WALLS TO BE CONSTRUCTED OF TYPE "X" GYP. BD. ON EA. SIDE OF 2x4 STUDS @ 16" O.C. OR 3 3/4" MET. STUDS @ 16" O.C.



INTERIOR ELEVATION #1
 SCALE: 1/4"=1'-0"



INTERIOR ELEVATION #2
 SCALE: 1/4"=1'-0"



INTERIOR ELEVATION #3
 SCALE: 1/4"=1'-0"