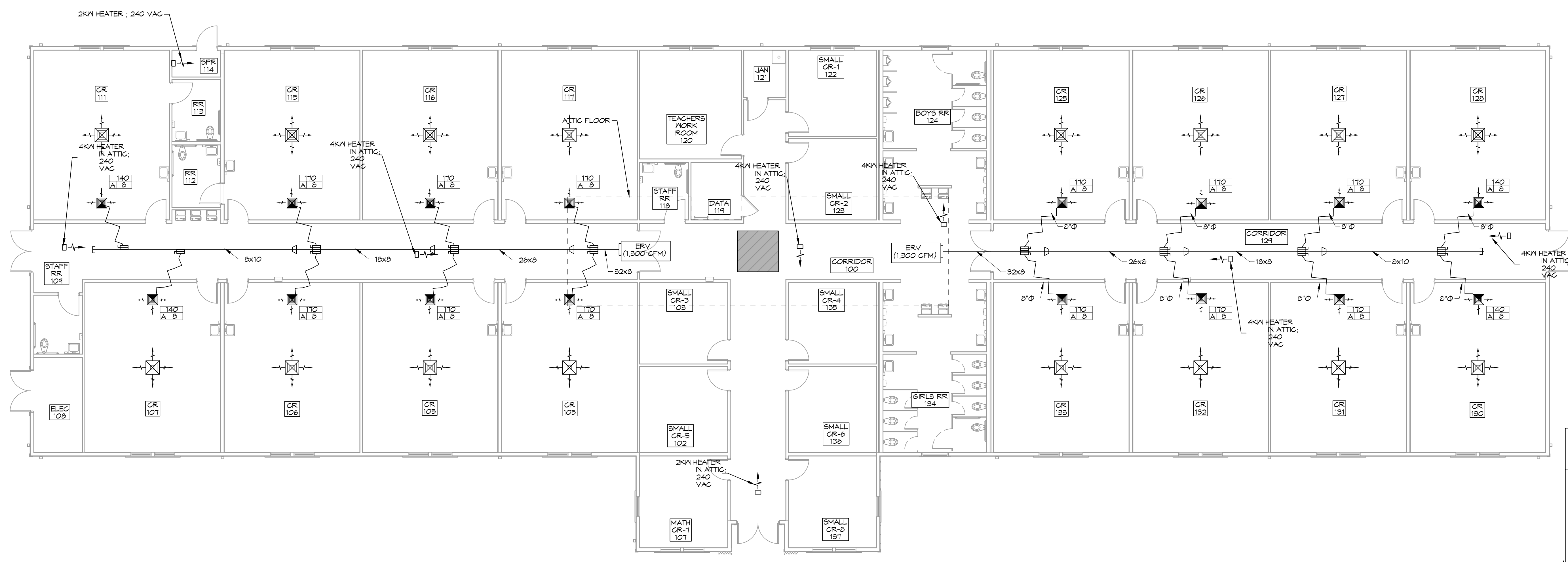
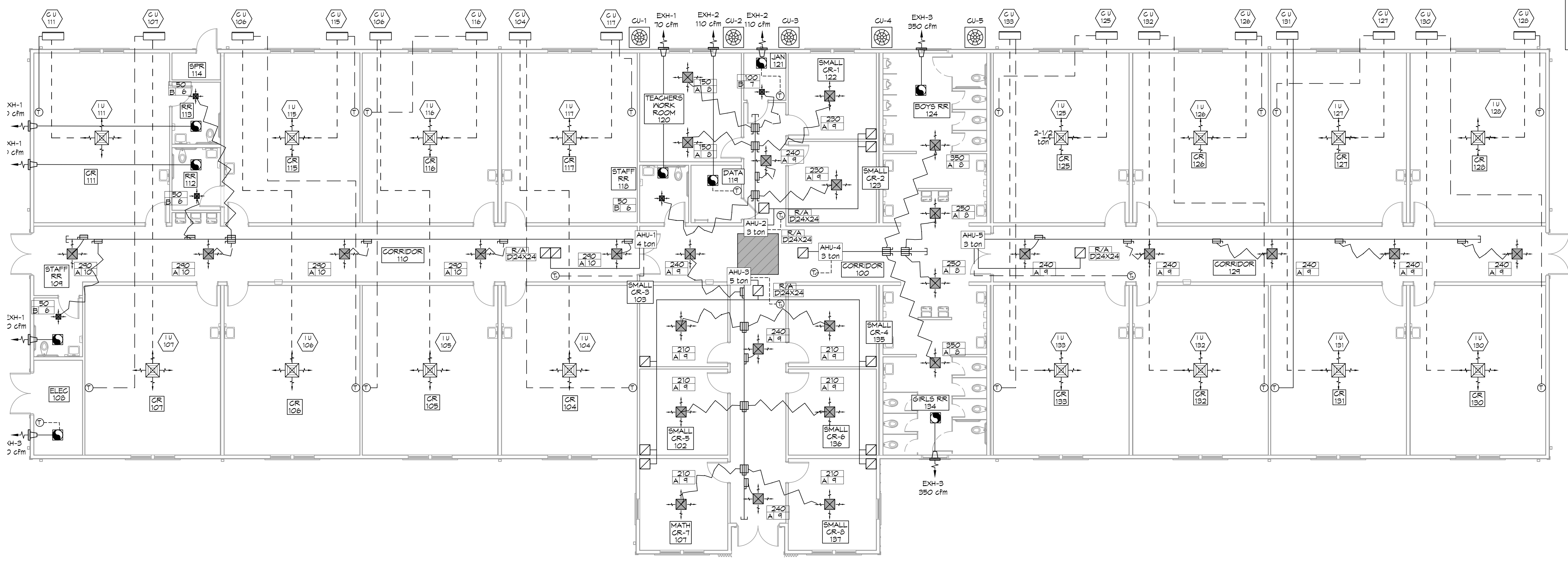


FILE NAME: J:\17- School Buildings\17-0101 - Lake Key Academy Classroom Building - Mechanical Plan.dwg - Date: 11/10/2022 10:02:05 AM



**2 OUTSIDE AIR & HEATERS**  
SCALE: 1/8" = 1'-0"



**1 MECHANICAL PLAN**  
SCALE: 1/8" = 1'-0"

**LEGEND**

- SKY LIGHT
- EXHAUST FAN
- SUPPLY AIR GRILLE
- RETURN AIR GRILLE
- HEATER

**DAMMON**  
**ENGINEERING, INC.**  
 LOUISIANA & MISSISSIPPI

www.dammonengineering.com  
 info@dammonengineering.com  
 Chief Engineer: Brian Mestich, PE  
 554 Old Spanish Trail  
 Slidell, LA 70458  
 PH: 985-649-5832

#	DESCRIPTION	DATE

SEAL:

NEW CLASSROOM BUILDING  
**L A K E Y A C A D E M Y**

PROJECT NO: 17-0101 - LAKE KEY ACADEMY CLASSROOM BUILDING - MECHANICAL PLAN  
 SHEET NO: M101  
 DATE: 11-10-2022  
 DRAWN BY: JMS  
 CHECKED BY: TNT  
 JOB NO: 2466  
 PRIVATE BLVD  
 COVINGTON, LA

DRAWING NUMBER:

# M101

SHEET No: