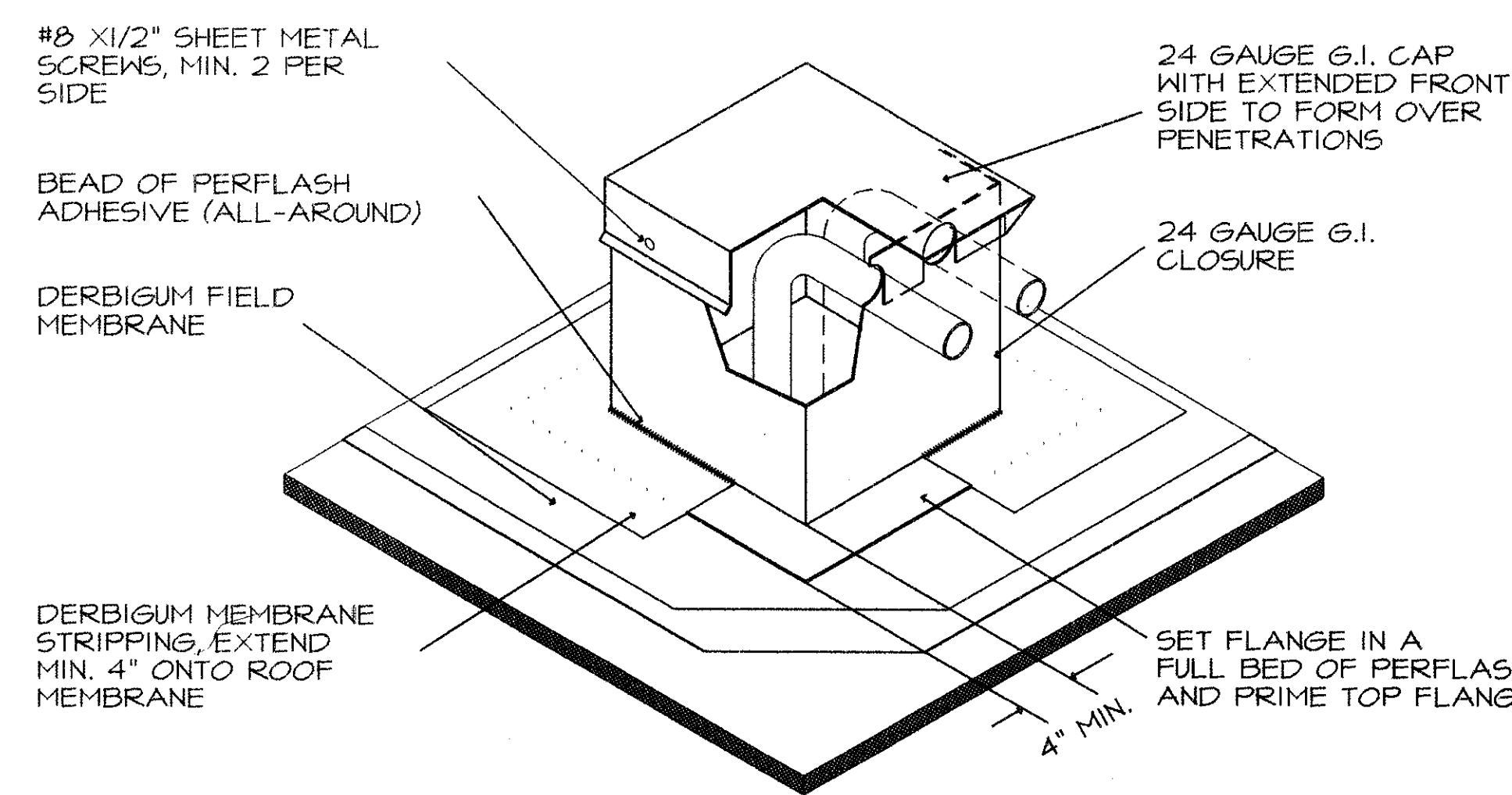
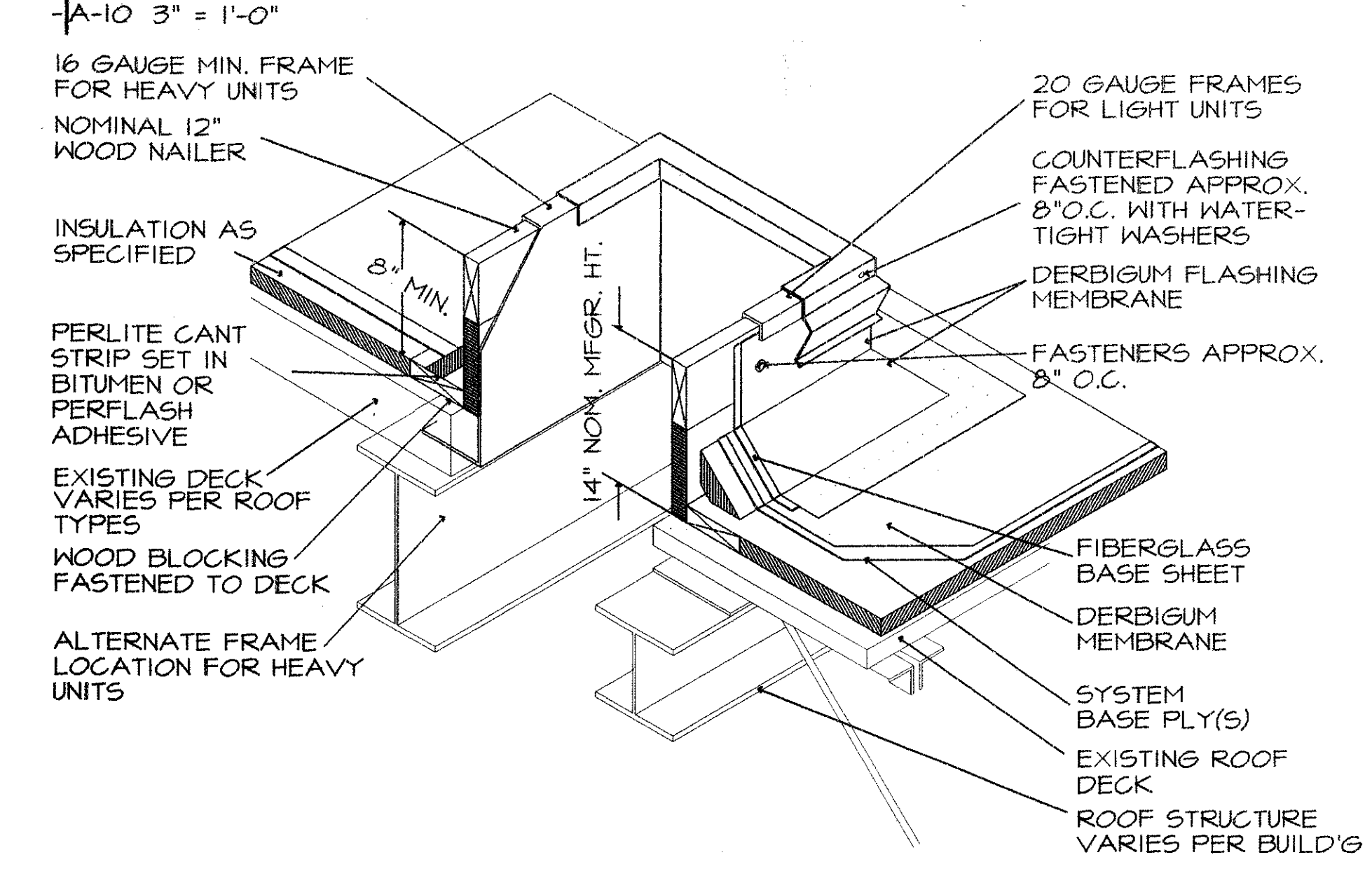


REPLACED
W/ ATTACHMENT #5

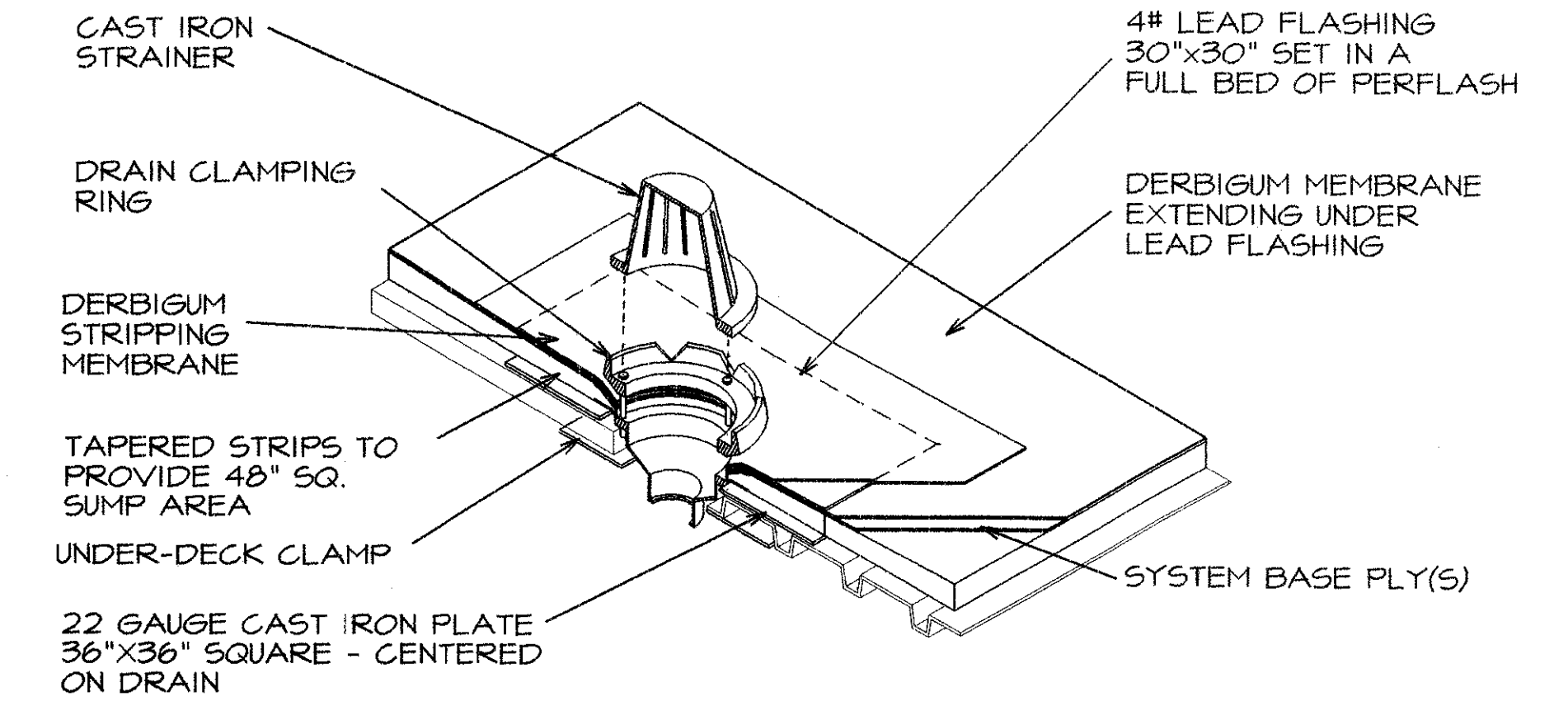
VARIATION IN
EXIST'G. ROOF
INSULATION TO
REMAIN EXCEPT
WHERE REMOVAL
IS REQ'D. TO INSTALL
NEW ROOF SYS.
ATTACHMENTS

B) FLAT ROOF TO METAL ROOF DETAIL

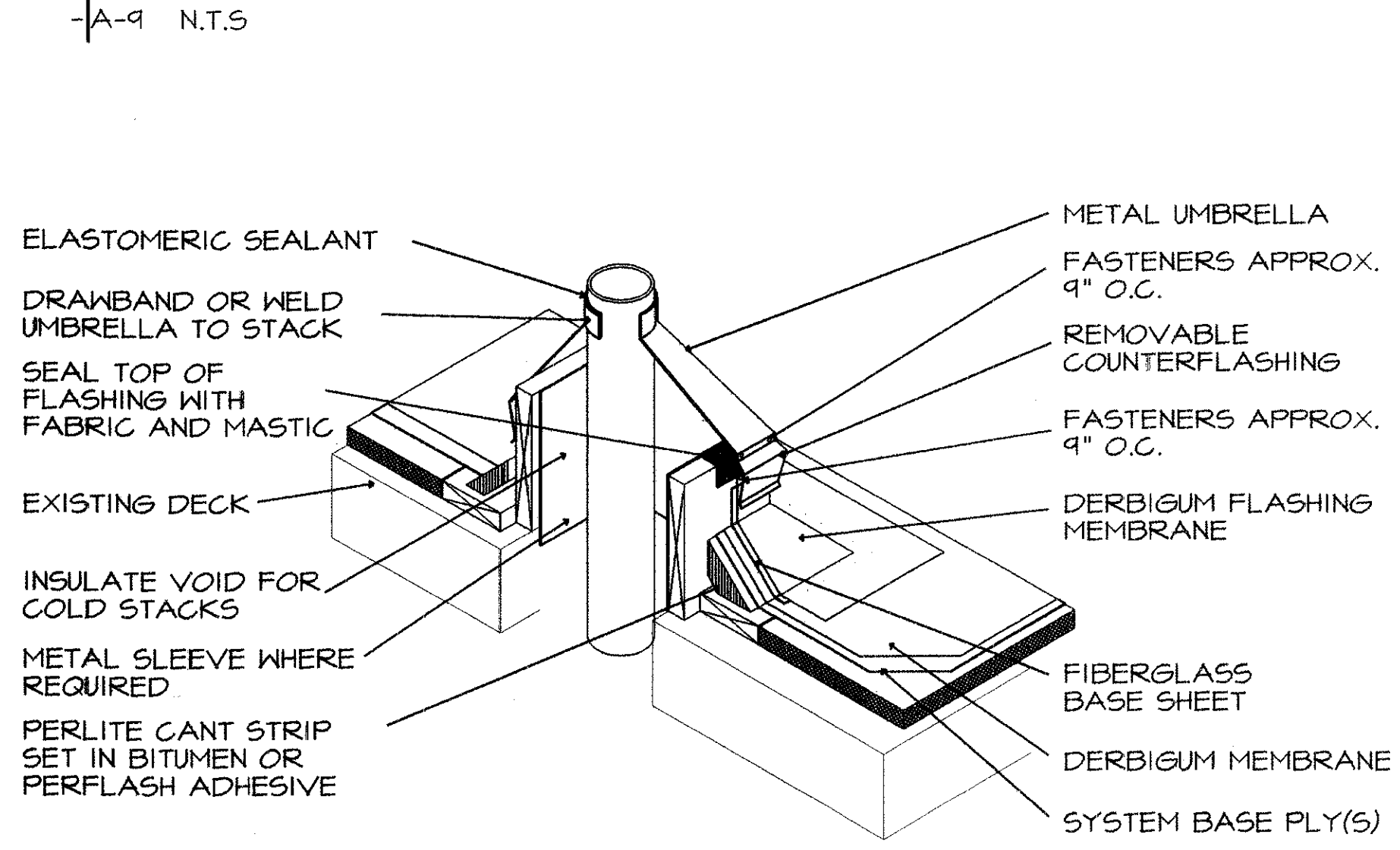


NOTE: THIS DETAIL IS SIMILAR FOR SINGULAR OR MULTIPLE PENETRATIONS. CLOSURE MUST BE FABRICATED WITH ONE SIDE OPEN TO FIT AROUND PENETRATIONS WHICH CANNOT BE INTERRUPTED. 'OPEN' SIDE SHALL BE SEALED BY SOLDERING IN PLACE.

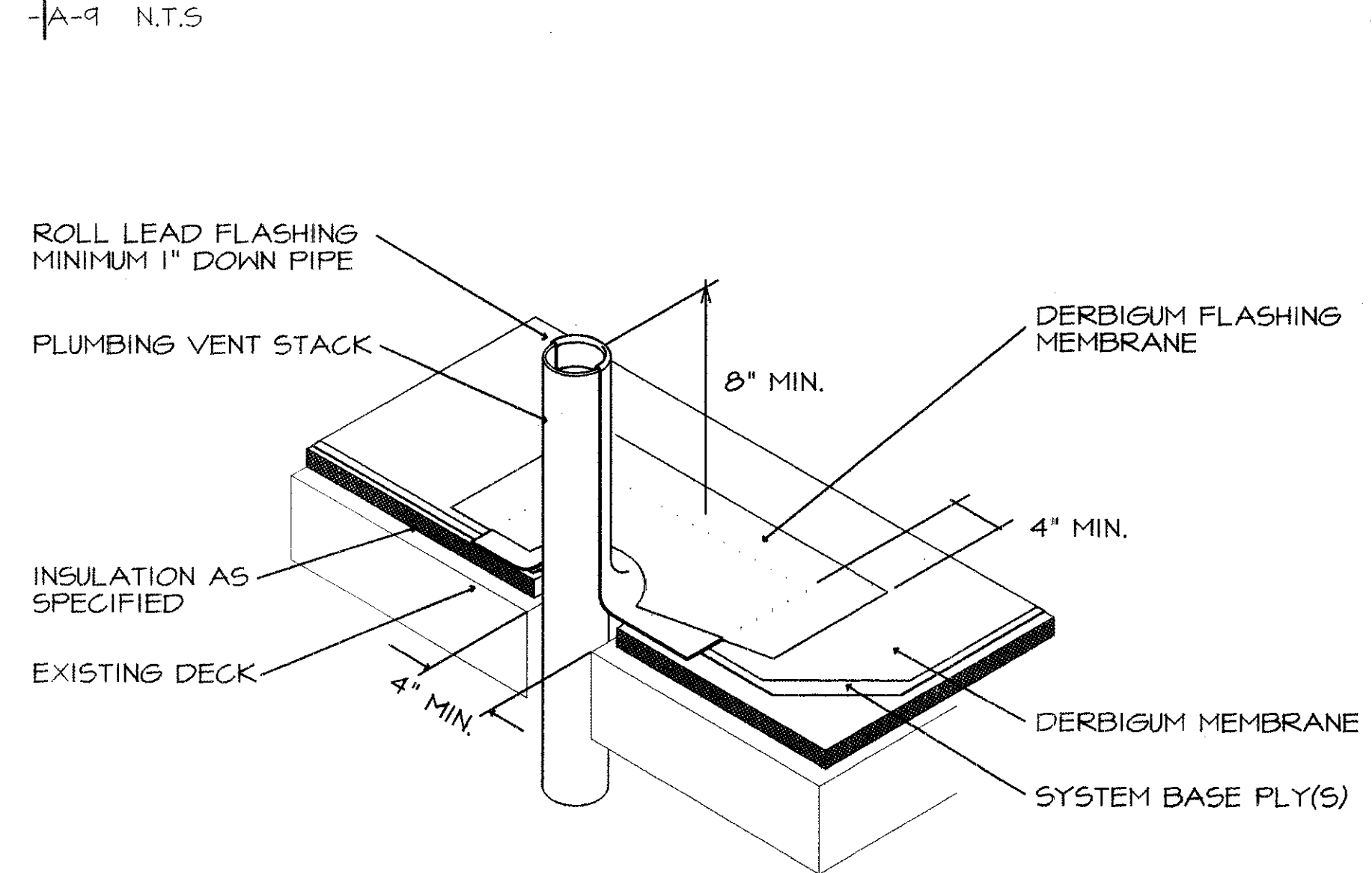
* MODIFIED BITUMINOUS ROOFING & INSULATION DETAILS
DRAWN AS PER PERFORMANCE ROOF SYSTEMS OR EQUAL.



4) ROOFING PENETRATION CURB DETAIL

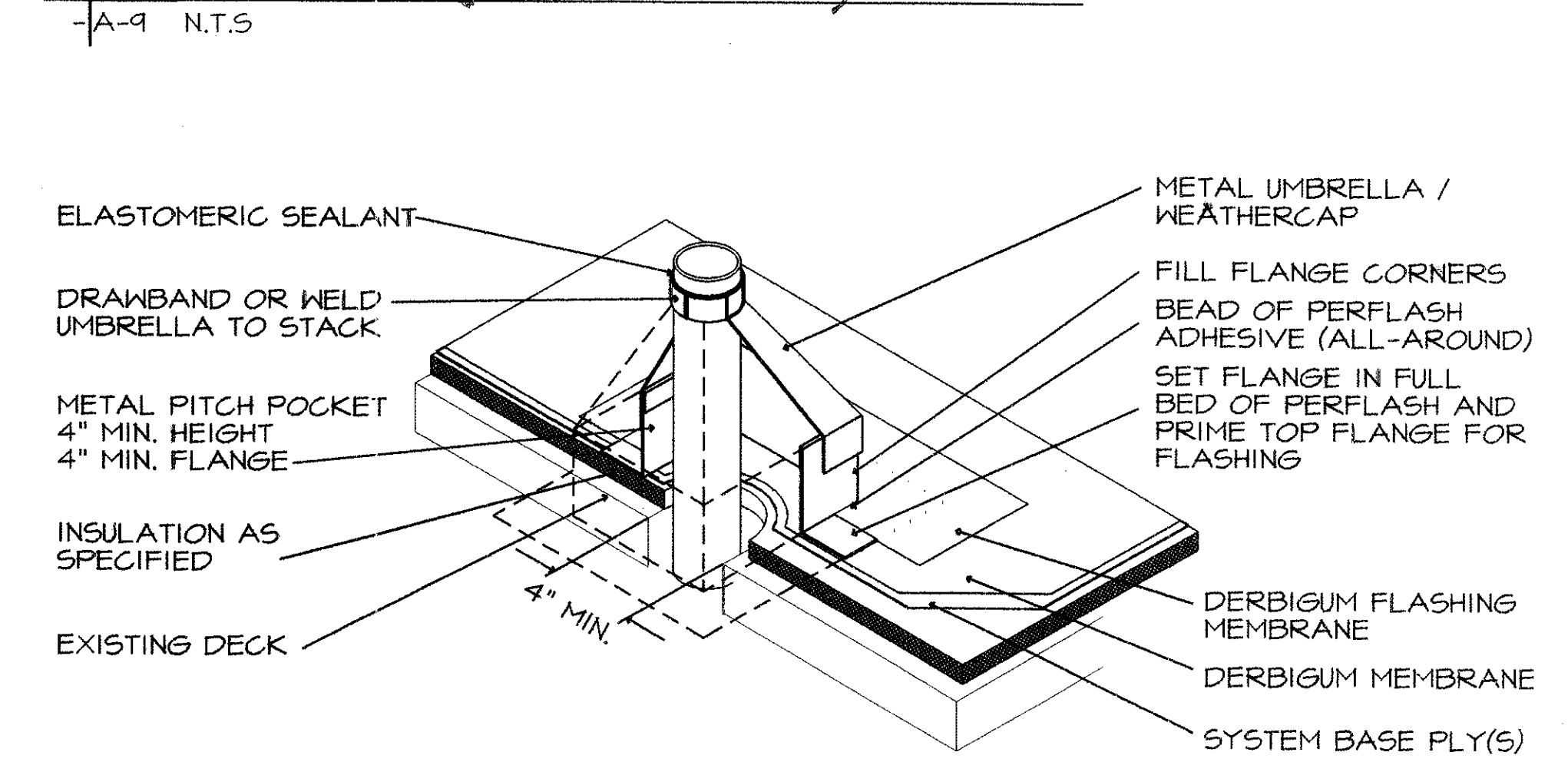


5) ROOFING CONDUIT HOUSING DETAIL



NOTE: SHEET LEAD MINIMUM OF 2-1/2 POUNDS PER ROOF SQUARE

1) ROOFING (PENETRATION) DETAIL



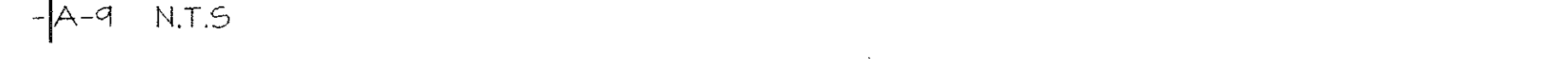
NOTE: FILL PITCH / SEALANT POCKET TO POINT OF OVERFLOW WITH PERFLASH ADHESIVE.

1) ROOFING PITCH PAN DETAIL

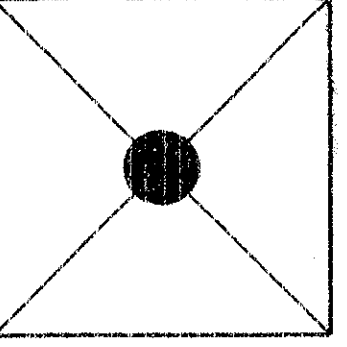


THIS IS NOT A
PITCH PAN DTL
SPELLING (PITCH)

2) ROOFING PENETRATION DETAIL



3) ROOFING PENETRATION DETAIL



CONSULTANT
BYRON J. STEWART & ASSOC.
ARCHITECTS & PLANNERS
2300 MARENGO ST.
NEW ORLEANS, LA 70115
(504) 897-5339

CLIENT
NEW ORLEANS PARISH
SCHOOL BOARD
4300 ALMONASTER AVE
NEW ORLEANS, LA

PROJECT
CARTER G. WOODSON JUN. HIGH SCHOOL
RE-ROOFING
F.D.P. # 92034

JOB NUMBER: 9602
DATE: 4-21-97
DRAWN BY: M.A.
CHECKED BY: B.J.S.

REVISIONS		
NO.	DATE	REVISION

SHEET
A-9
OF SHEETS

C:\SDSKPROJ\9602\A-9 Wed Feb 26 00:06:56 1997