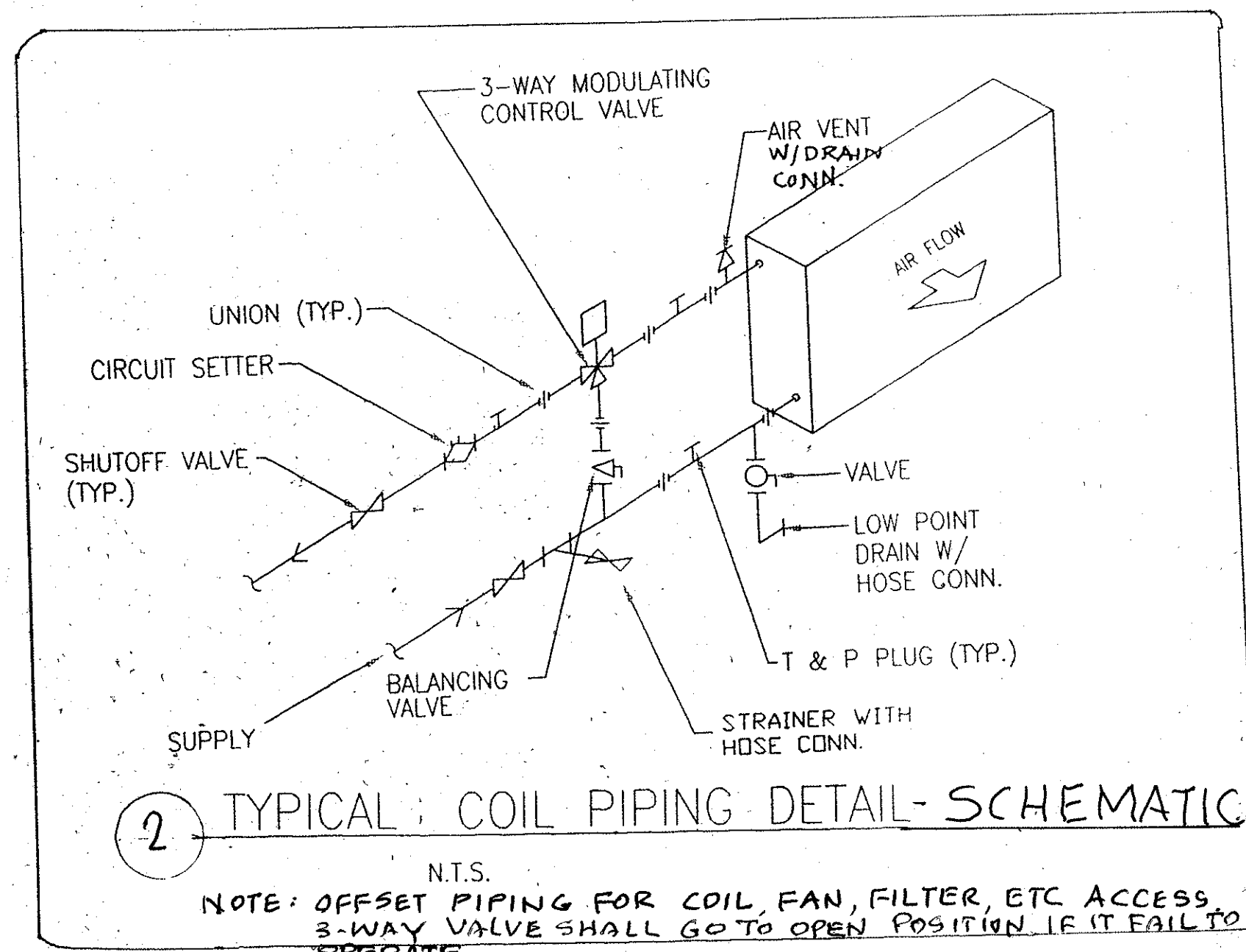
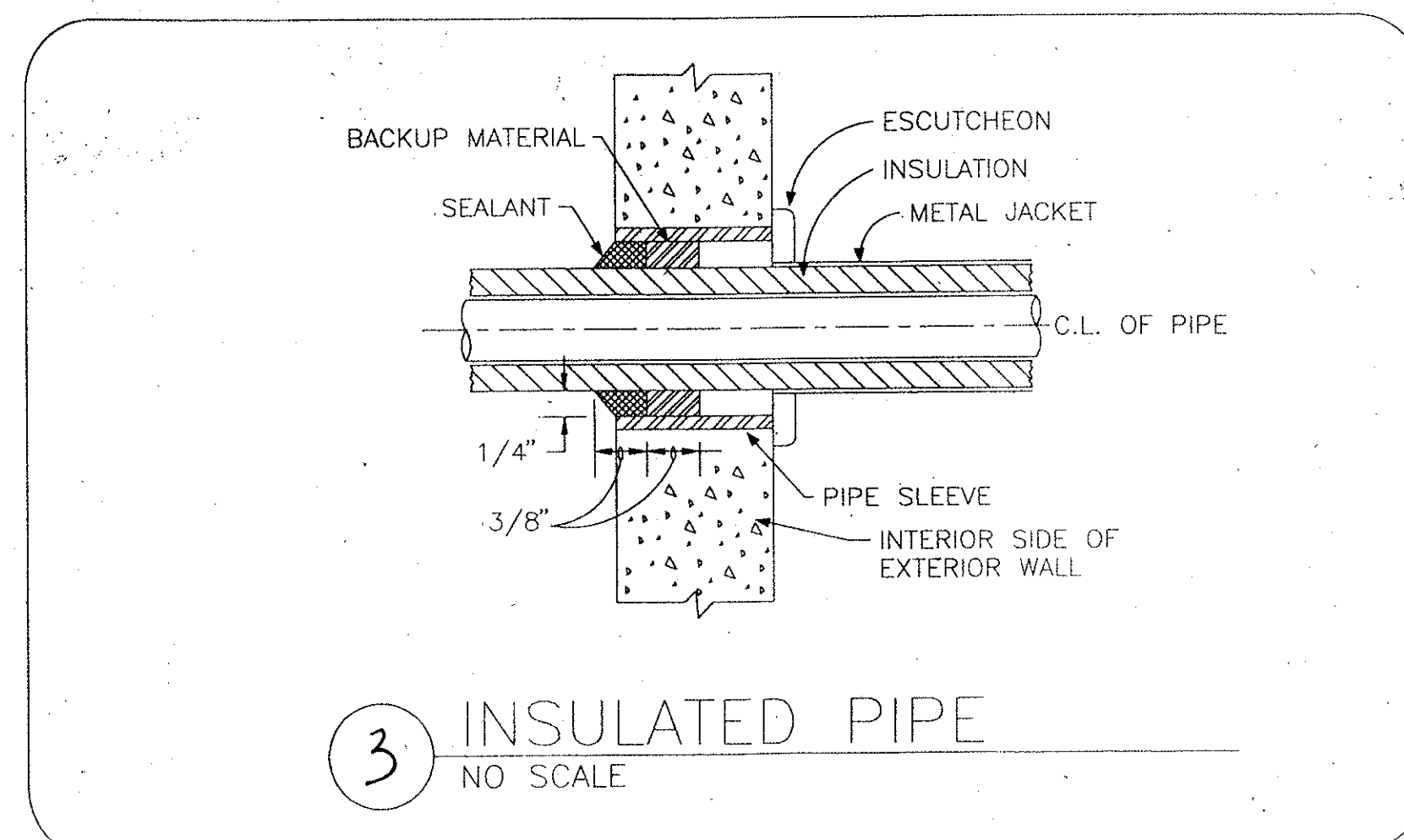


1 END SUCTION PUMP PIPING DETAIL
NO SCALE



2 TYPICAL COIL PIPING DETAIL- SCHEMATIC
N.T.S.
NOTE: OFFSET PIPING FOR COIL, FAN, FILTER, ETC ACCESS. 3-WAY VALVE SHALL GO TO OPEN POSITION IF IT FAILS TO OPERATE.

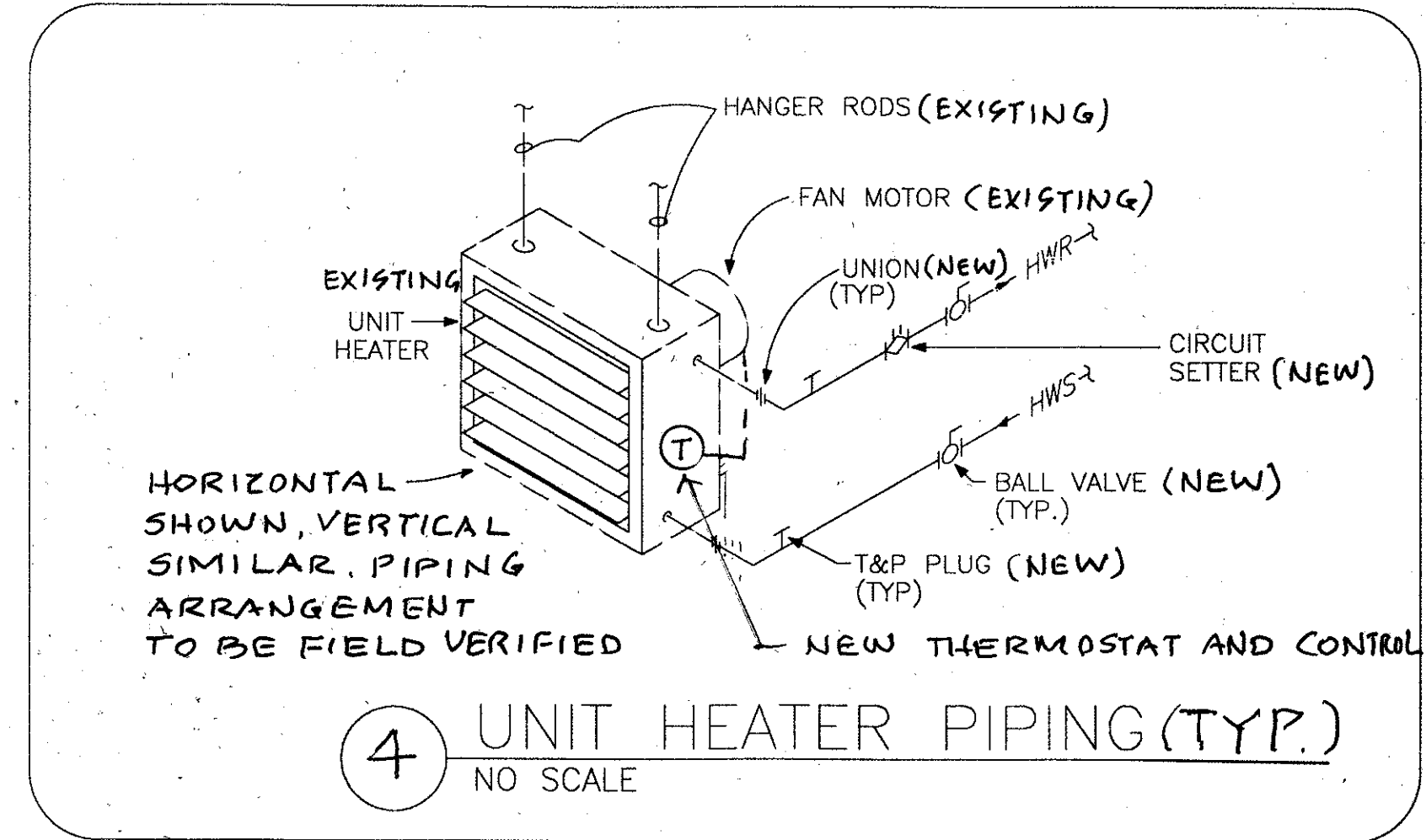
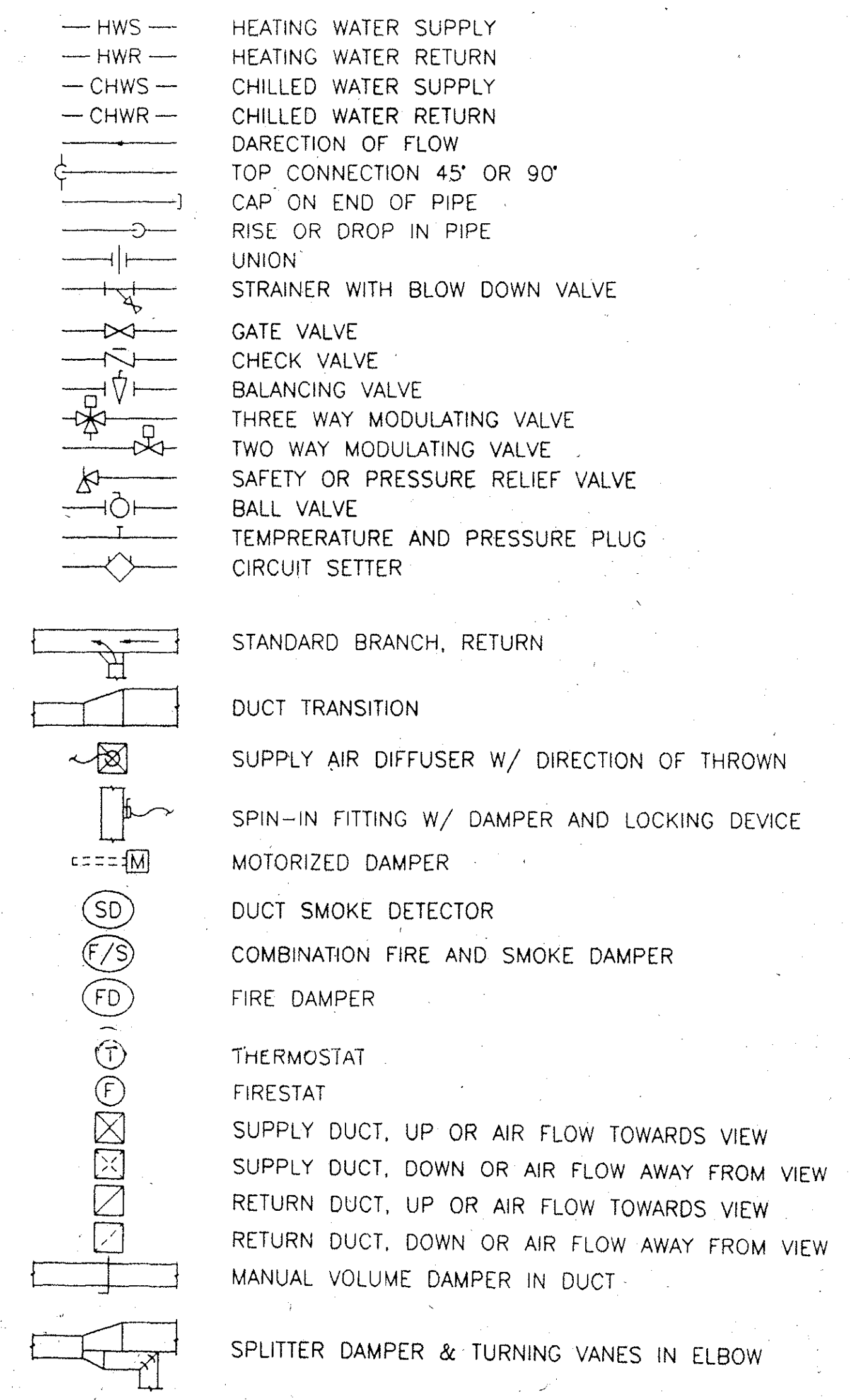


3 INSULATED PIPE
NO SCALE

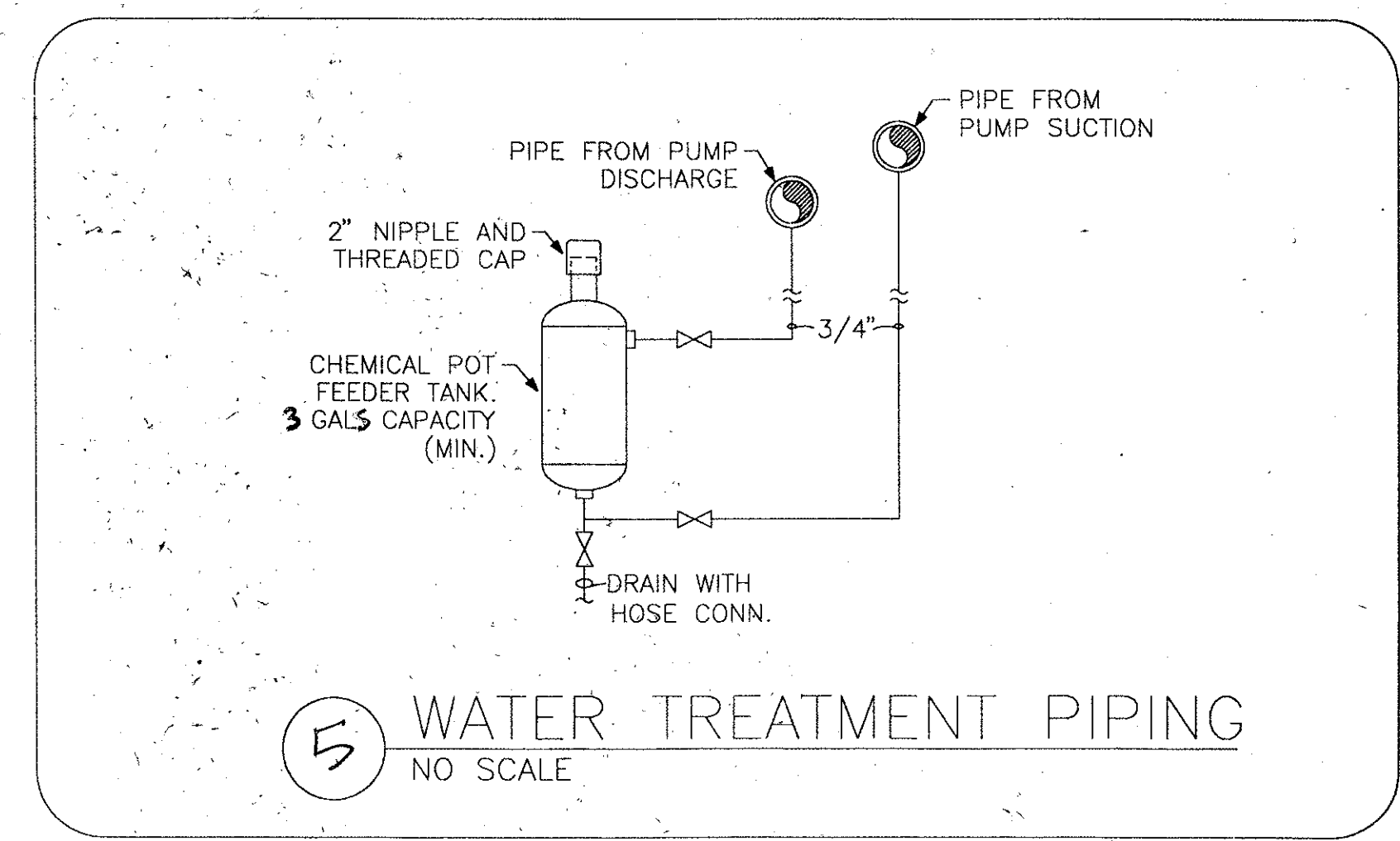
HVAC ABBREVIATIONS

AHU	AIR HANDLING UNIT
FLEX.CONN	FLEXIBLE CONNECTION
MVD	MANUAL VOLUME DAMPER
O.A.	OUTSIDE AIR
PD	PRESSURE DROP
U.C.	UNDER CUT DOOR (DIMENSION AS INDICATED)
VAV	VARIABLE AIR VOLUME
UH	UNIT HEATER
P	PUMP
B	BOILER
CH	CHILLER
EER	ENERGY EFFICIENCY RATIO
FLR	FLOOR
HP	HORSE POWER
DB	DRY BULB
WB	WET BULB
D	DRAIN
V	VENT
EF	EXHAUST FAN
SF	SUPPLY FAN
SA	SOUND ATTENUATOR

HVAC SYMBOLS

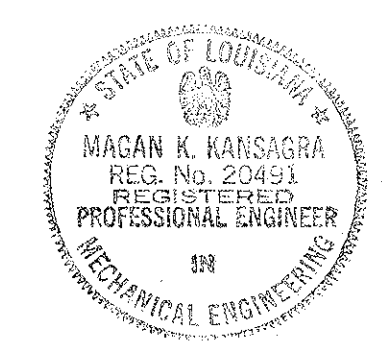


4 UNIT HEATER PIPING (TYP.)
NO SCALE



5 WATER TREATMENT PIPING
NO SCALE

DETAILS AND HVAC SYMBOLS
N.T.S



M-K ENGINEERING, INC.
CONSULTING ENGINEERS
HVAC-PLUMBING-FIRE PROTECTION-ELECTRICAL
4323 DIVISION STREET, SUITE 211
METAIRIE, LOUISIANA 70002
TEL. (504)887-2376, FAX (504)887-2302

REVISIONS	BY

CONSULTANT
BYRON J. STEWART & ASSOC.
ARCHITECTS & PLANNERS
2800 MARENGO ST.
NEW ORLEANS, LA 70115
(504) 877-5837

CLIENT
NEW ORLEANS PARISH
SCHOOL BOARD
4300 ALMONASTER AVE
NEW ORLEANS, LA.

PROJECT
CARTER G. WOODSON MIDDLE SCHOOL
RE-ROOFING & MECHANICAL REPAIRS

DRAWN	UV
CHECKED	MK
DATE	4-21-97
SCALE	AS NOTED
JOB NO.	

SHEET
ME-18
OF 22 SHEETS