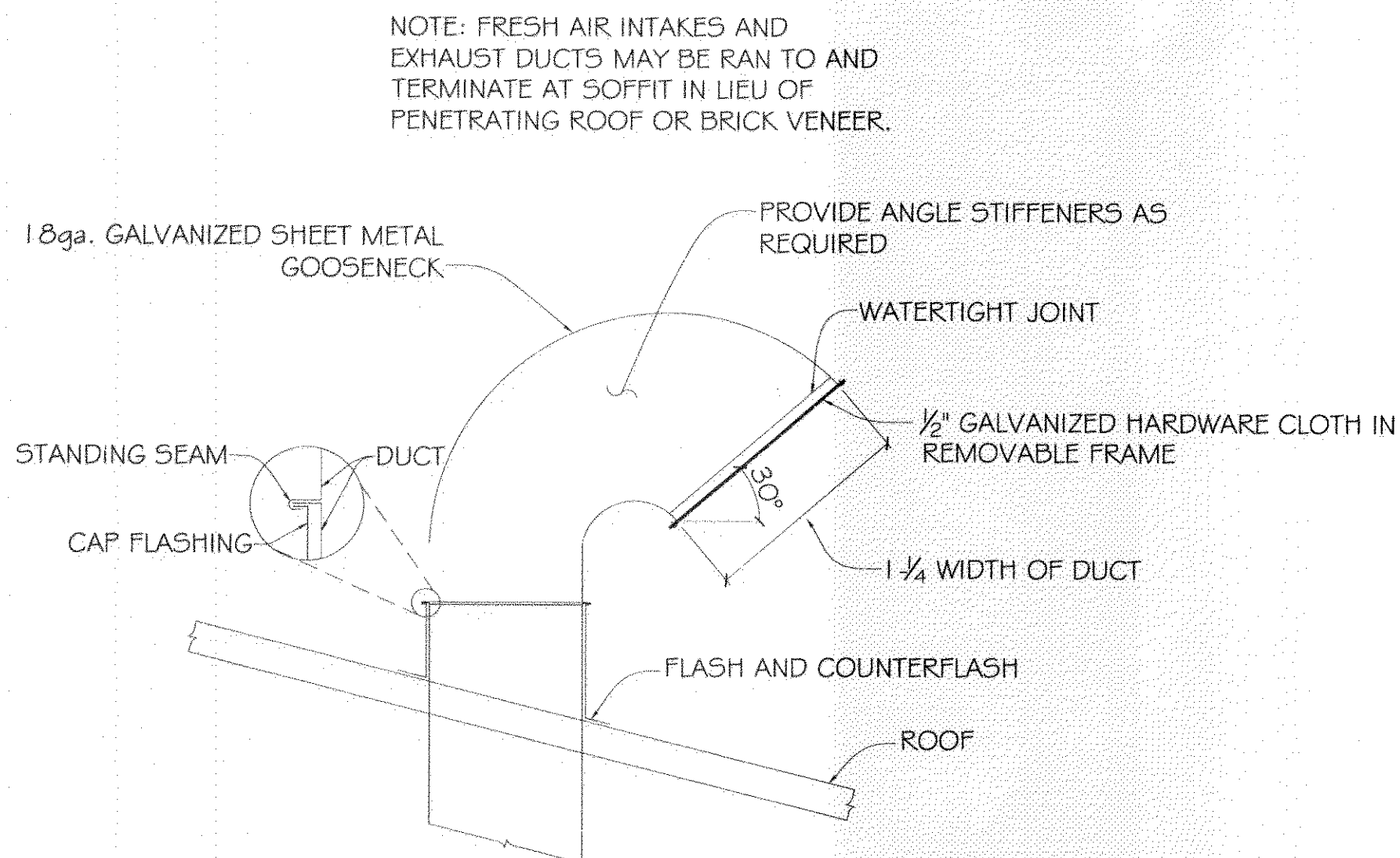
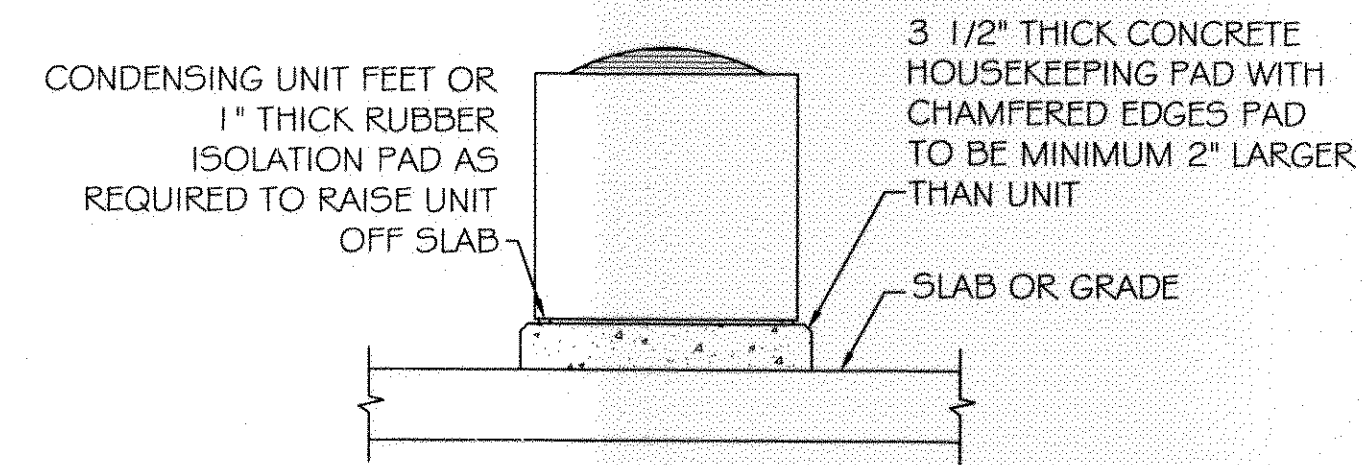


HVAC AHU/CLOSET SECTION
SCALE: NTS

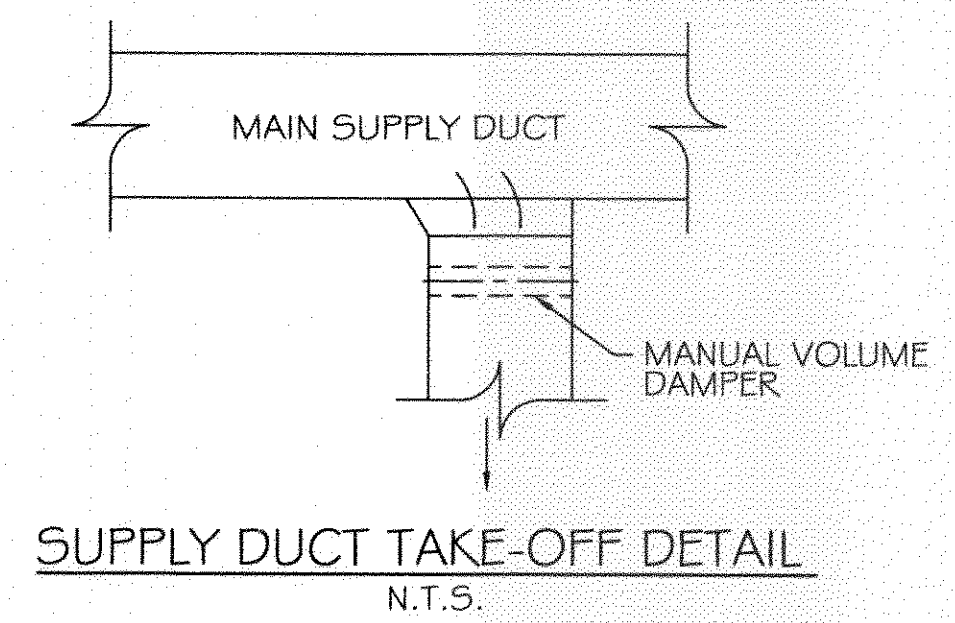
- NOTES:
1. ON UNITS UNDER 5 TONS, PROVIDE FIRESTAT IN THE RETURN AIR WIRED TO SHUT DOWN THE UNIT WHEN TEMPERATURE IS EXCEEDED.
 2. ON UNITS 5 TONS OR LARGER, PROVIDE A SMOKE DETECTOR IN THE SUPPLY AND THE RETURN AIR DUCTS WIRED TO SHUT DOWN THE UNIT WHEN SMOKE IS DETECTED. THE SMOKE DETECTOR IN THE RETURN AIR MAY BE ELIMINATED IF CONTRACTOR RECEIVES APPROVAL FROM THE LOCAL AUTHORITY HAVING JURISDICTION.



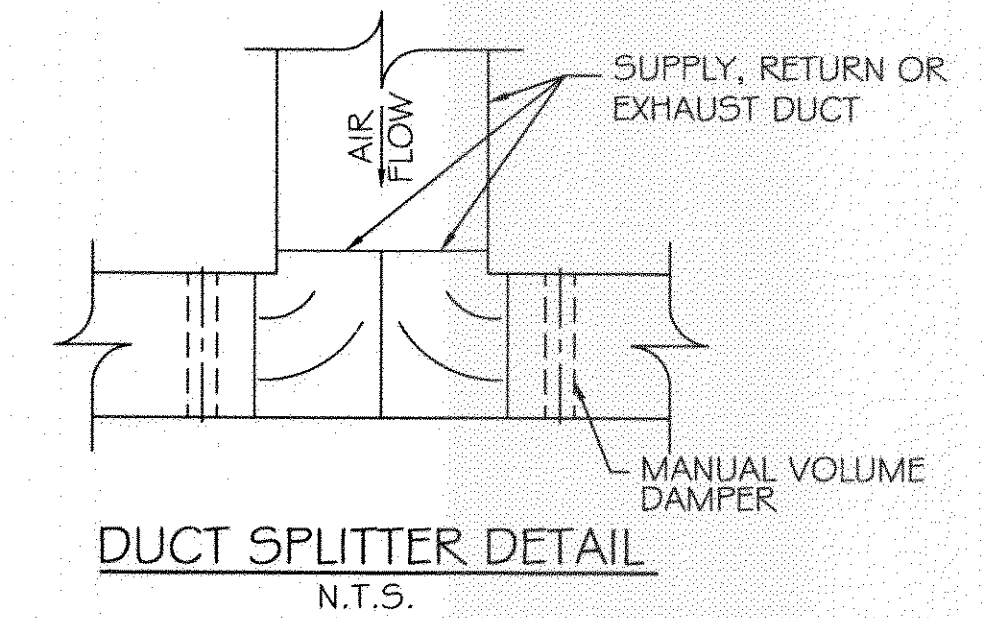
OUTSIDE AIR INTAKE ROOF PENETRATION DETAIL
SCALE: N.T.S.



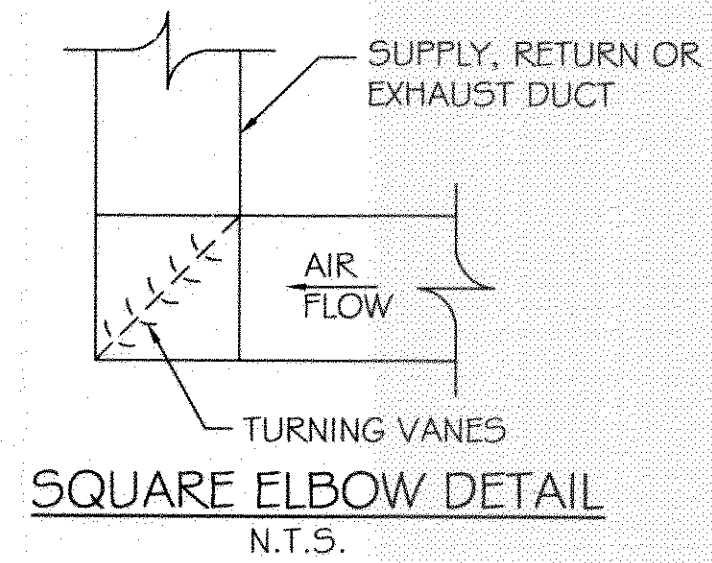
CONDENSING MOUNTING DETAIL
N.T.S.



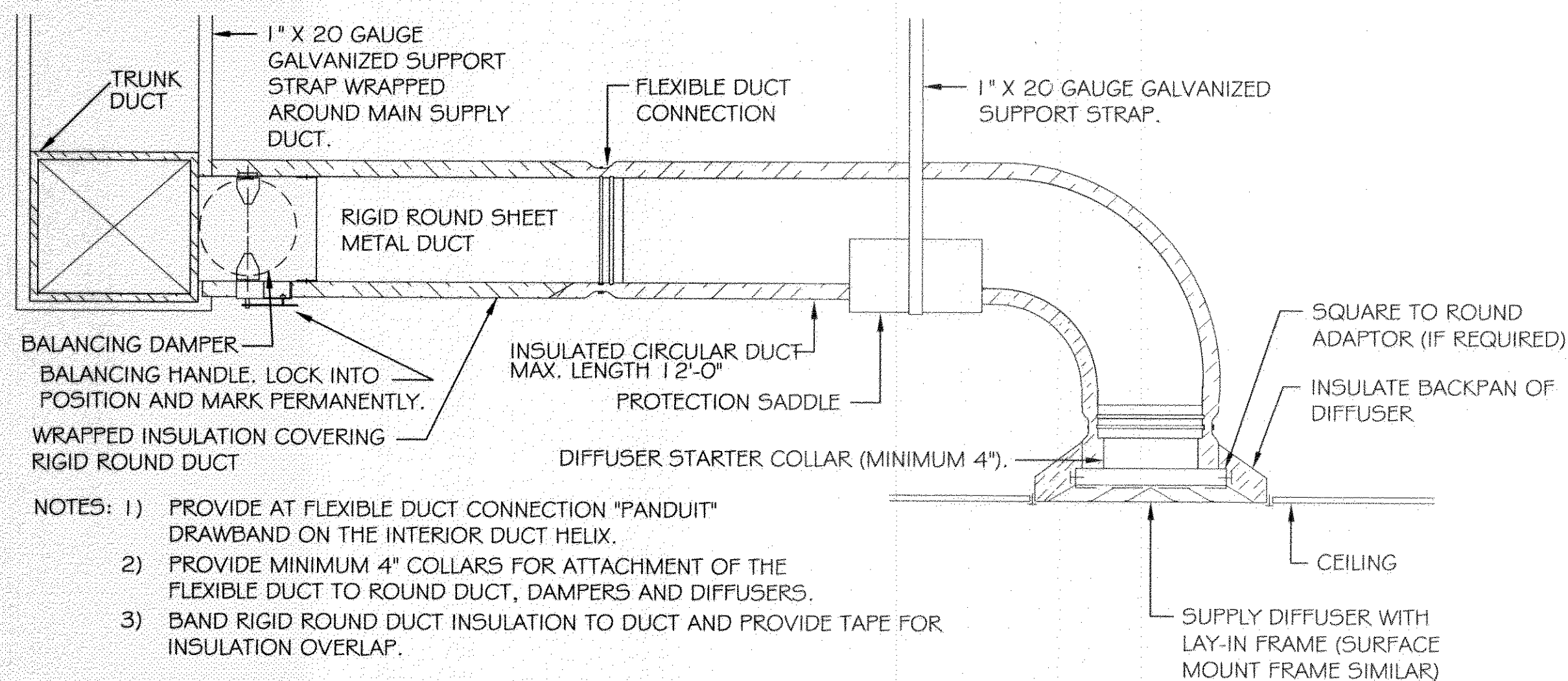
SUPPLY DUCT TAKE-OFF DETAIL
N.T.S.



DUCT SPLITTER DETAIL
N.T.S.

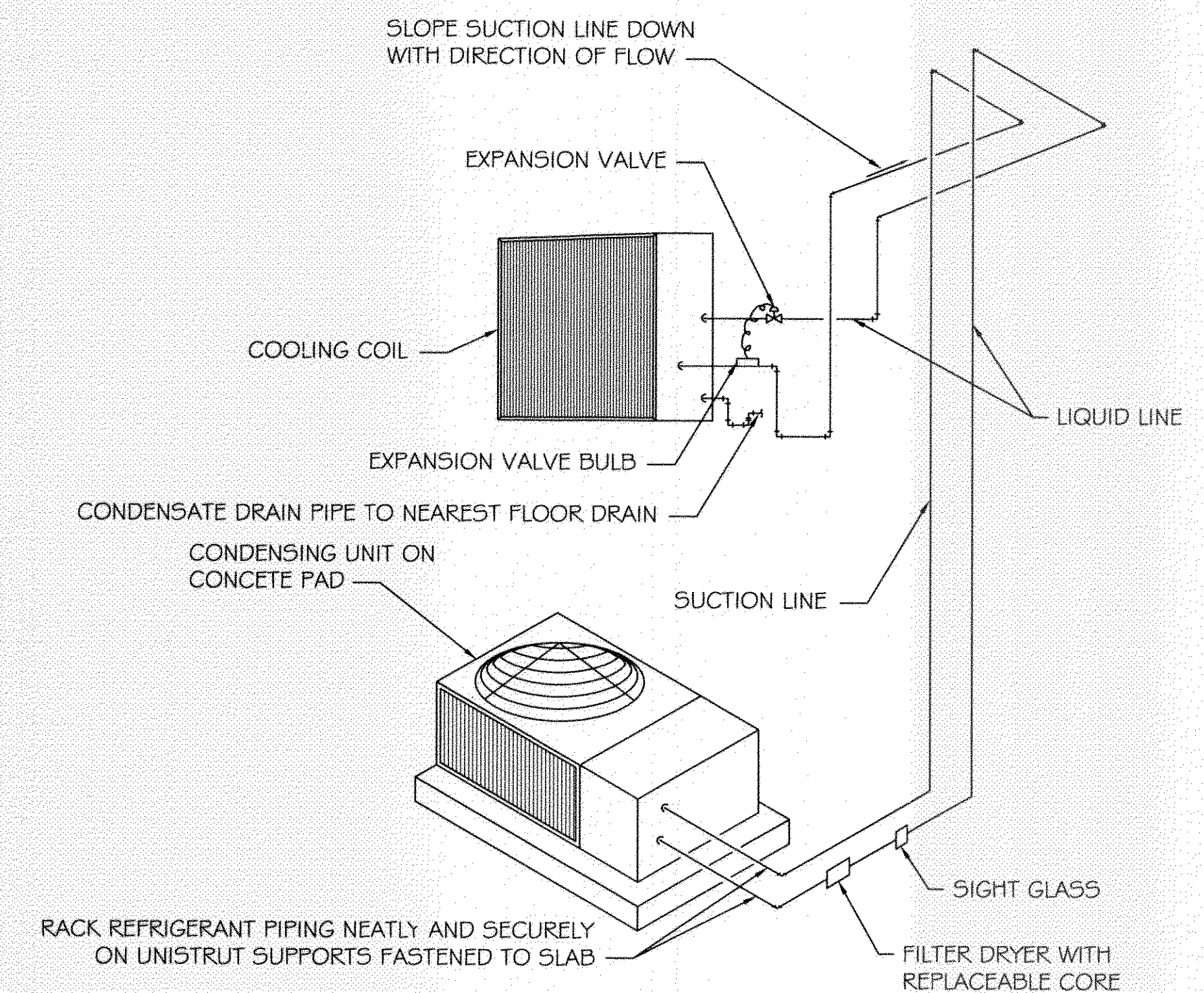


SQUARE ELBOW DETAIL
N.T.S.

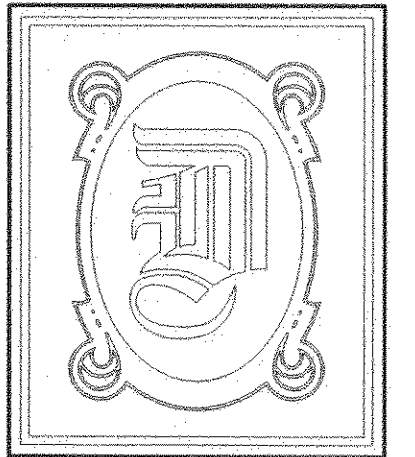


DIFFUSER CONNECTION DETAIL-CIRCULAR DUCT
SCALE: NTS (AT RATED CEILING)

- NOTES:
- 1) PROVIDE AT FLEXIBLE DUCT CONNECTION "PANDUIT" DRAWBAND ON THE INTERIOR DUCT HELIX.
 - 2) PROVIDE MINIMUM 4" COLLARS FOR ATTACHMENT OF THE FLEXIBLE DUCT TO ROUND DUCT, DAMPERS AND DIFFUSERS.
 - 3) BAND RIGID ROUND DUCT INSULATION TO DUCT AND PROVIDE TAPE FOR INSULATION OVERLAP.



NOTE: THIS DIAGRAM APPLIES TO AHU-1, 4 AND 5 ONLY.
REFRIGERANT PIPING DIAGRAM
N.T.S.



DAMMON ENGINEERING, INC.

CHIEF ENGINEER
EMMETT DAMMON, P.E.

CHIEF ARCHITECT
ROBERT WILTSE

1095 FLORIDA AVENUE
SLIDELL, LA. 70458
OFFICE: 985-649-5832
FAX: 985-641-5950

WEBSITE:
WWW.DAMMONENGINEERING.COM

EMAIL:
DAMMONENG@BELLSOUTH.NET

ARCHITECTURE

ENGINEERING

STUDIES

PLANNING

INVESTIGATION

EXPERT WITNESS

PAUL MITCHELL
SCHOOL
3321 HESSMER AVE
METAIRIE, LA
70002

**MECHANICAL
DETAILS**



REV:

SCALE: AS NOTED

JOB#: 2051

DATE: 01-04-10

SHEET

M-5

OF

REVISIONS
STATE PROFESSIONAL
AS PERmitted
BY
375133