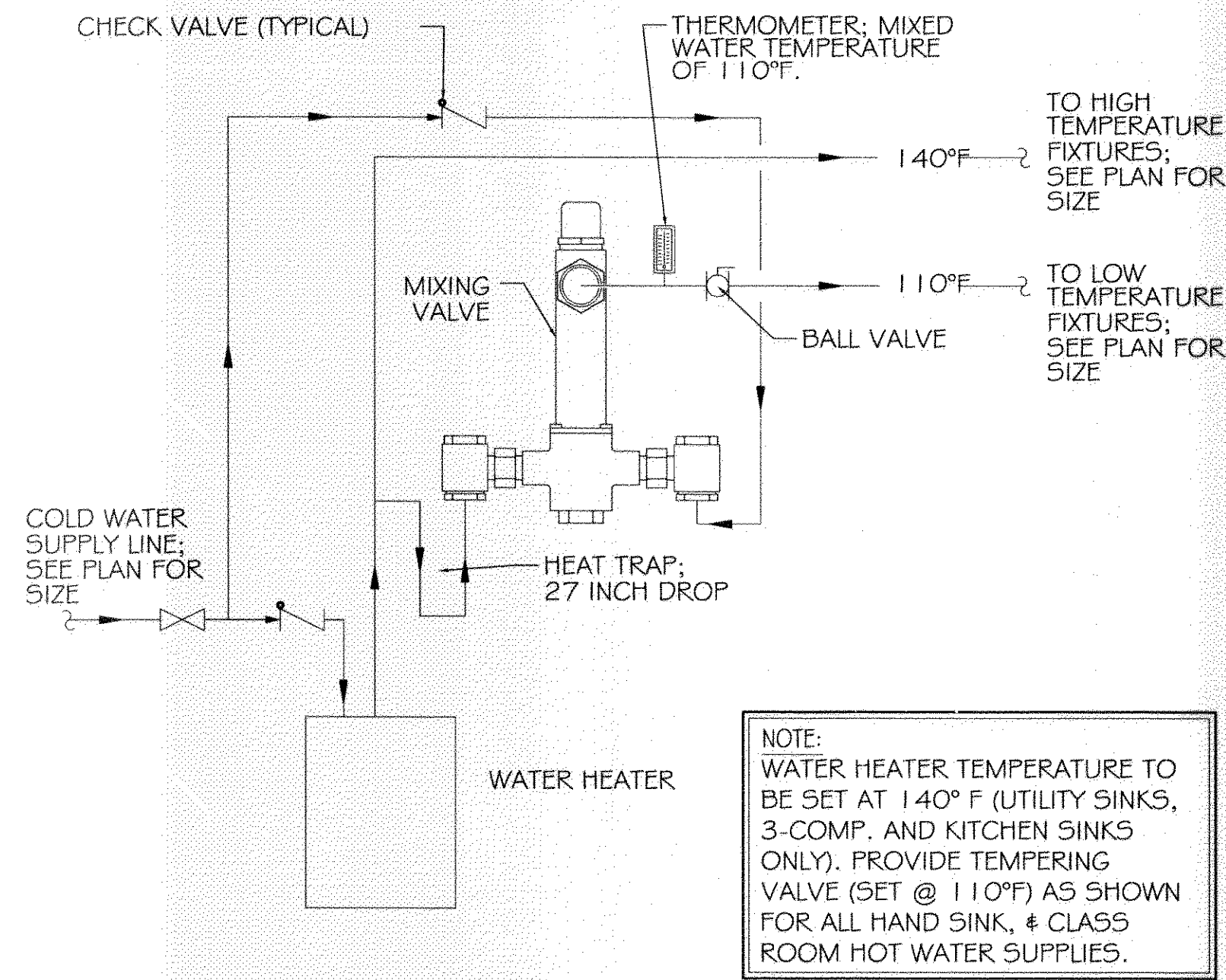
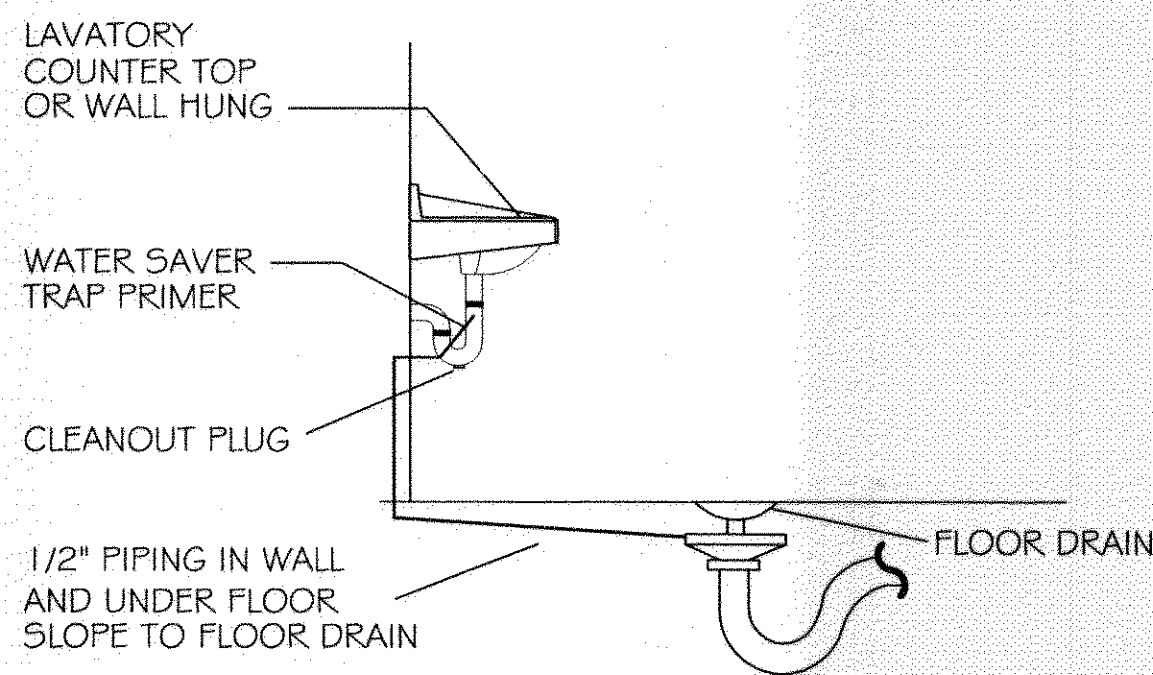


FIRST FLOOR PLUMBING PLAN

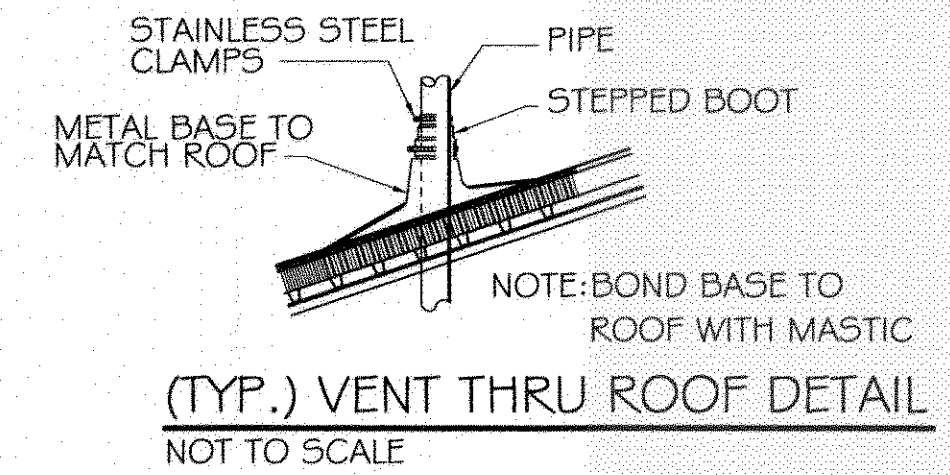


TEMPERED WATER VALVE
NOT TO SCALE

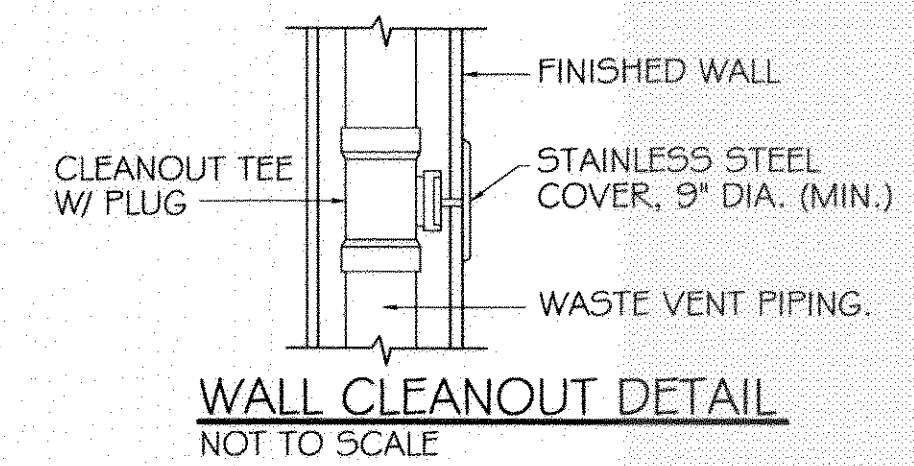
- NOTES:
- HEAT TRAP IS NOT REQUIRED WHERE MIXING VALVE IS INSTALLED BELOW STORAGE TANK OR WATER HEATER.
 - SET THE MIXING VALVE TO THE SYSTEM ACCORDING TO MANUFACTURER'S INSTRUCTIONS.



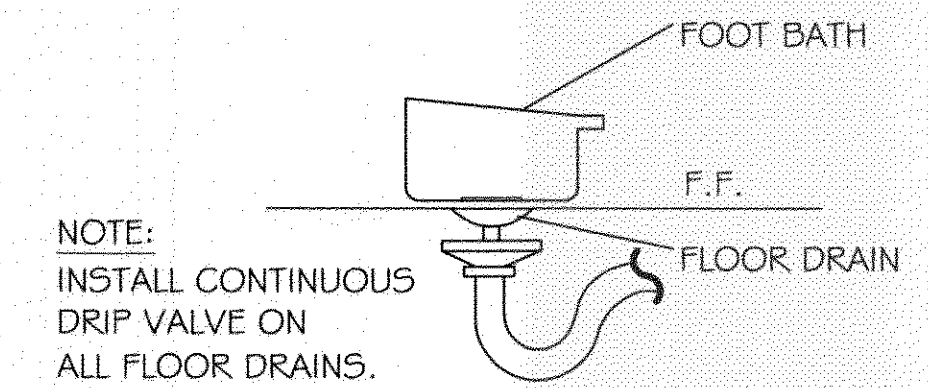
RESTROOM FLOOR DRAIN DETAIL
NOT TO SCALE



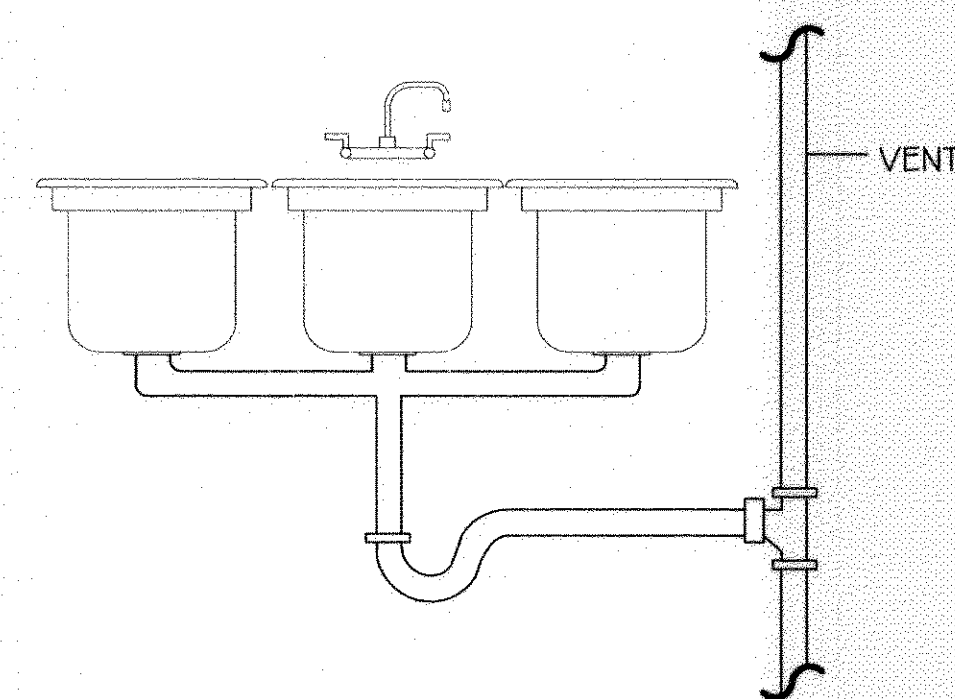
(TYP.) VENT THRU ROOF DETAIL
NOT TO SCALE



WALL CLEANOUT DETAIL
NOT TO SCALE

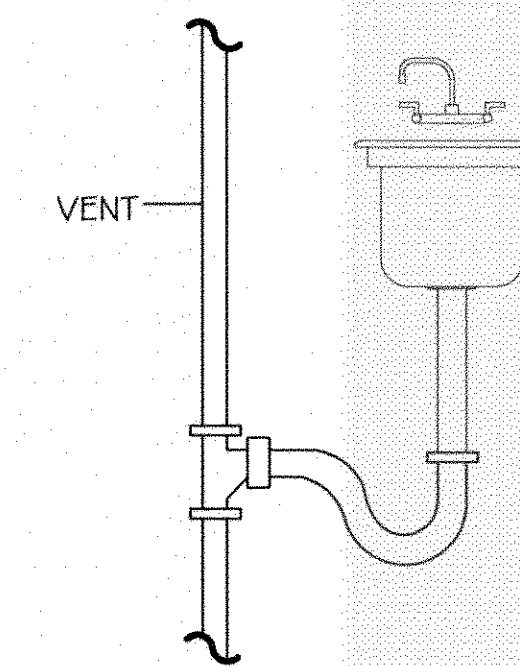


FOOT BATH DRAIN DETAIL
IN NAIL CLINIC
NOT TO SCALE



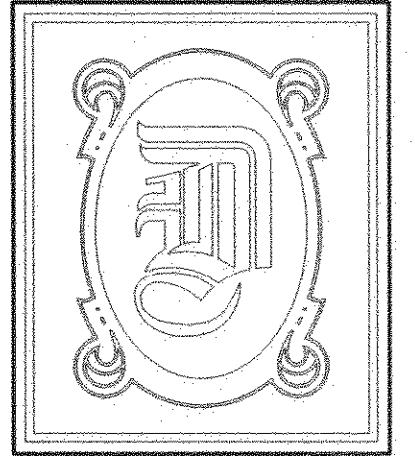
3 COMP SINK W/ HUB DRAIN
NOT TO SCALE

HUB DRAIN MUST BE EQUIPPED WITH A BASKET OR OTHER DEVICE WHICH SHALL PREVENT PASSAGE OF SOLIDS 1/2" OR LARGER. THIS BASKET OR DEVICE SHALL BE REMOVABLE FOR CLEANING.



TYPICAL SINK WITH
HUB DRAIN DETAIL
NOT TO SCALE

REVIEWED FOR
STATE FIRE MARSHAL
AS PER REVIEW LETTER
BY OUIVY RANKE
1/4/10



DAMMON
ENGINEERING, INC.

CHIEF ENGINEER
EMMETT
DAMMON, P.E.

CHIEF ARCHITECT
ROBERT
WILTSE

1095 FLORIDA AVENUE
SLIDELL, LA. 70458
OFFICE: 985-649-5832
FAX: 985-641-5950

WEBSITE:
WWW.DAMMONENGINEERING.COM

EMAIL:
DAMMONENG@BELLSOUTH.NET

ARCHITECTURE

ENGINEERING

STUDIES

PLANNING

INVESTIGATION

EXPERT WITNESS

PAUL MITCHELL
SCHOOL
3321 HESSMER AVE
METAIRIE, LA
70002

FIRST FLOOR
PLUMBING
PLAN



REV:

SCALE: AS NOTED

JOB#: 2051

DATE: 01-04-10

SHEET

P-1

OF