

ARCHITECTS OF RECORD:

BRADFORD J. DUDLEY  
 345 THIRD STREET  
 LAGUNA BEACH, CALIFORNIA 92651  
 T: 949.376.3078 F: 949.376.3078

**PAUL MITCHELL**  
 PARTNER SCHOOL

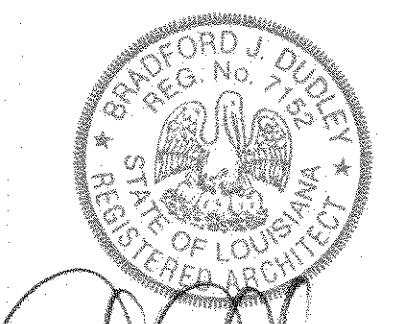
METAIRIE, LA

3321 HESSMER AVENUE  
 METAIRIE, LA 70002

CLIENT:

MARK AND LISA PALERMO

PROFESSIONAL SEAL:



Signature: *Bradford J. Dudley* DATE: 12-28-2009

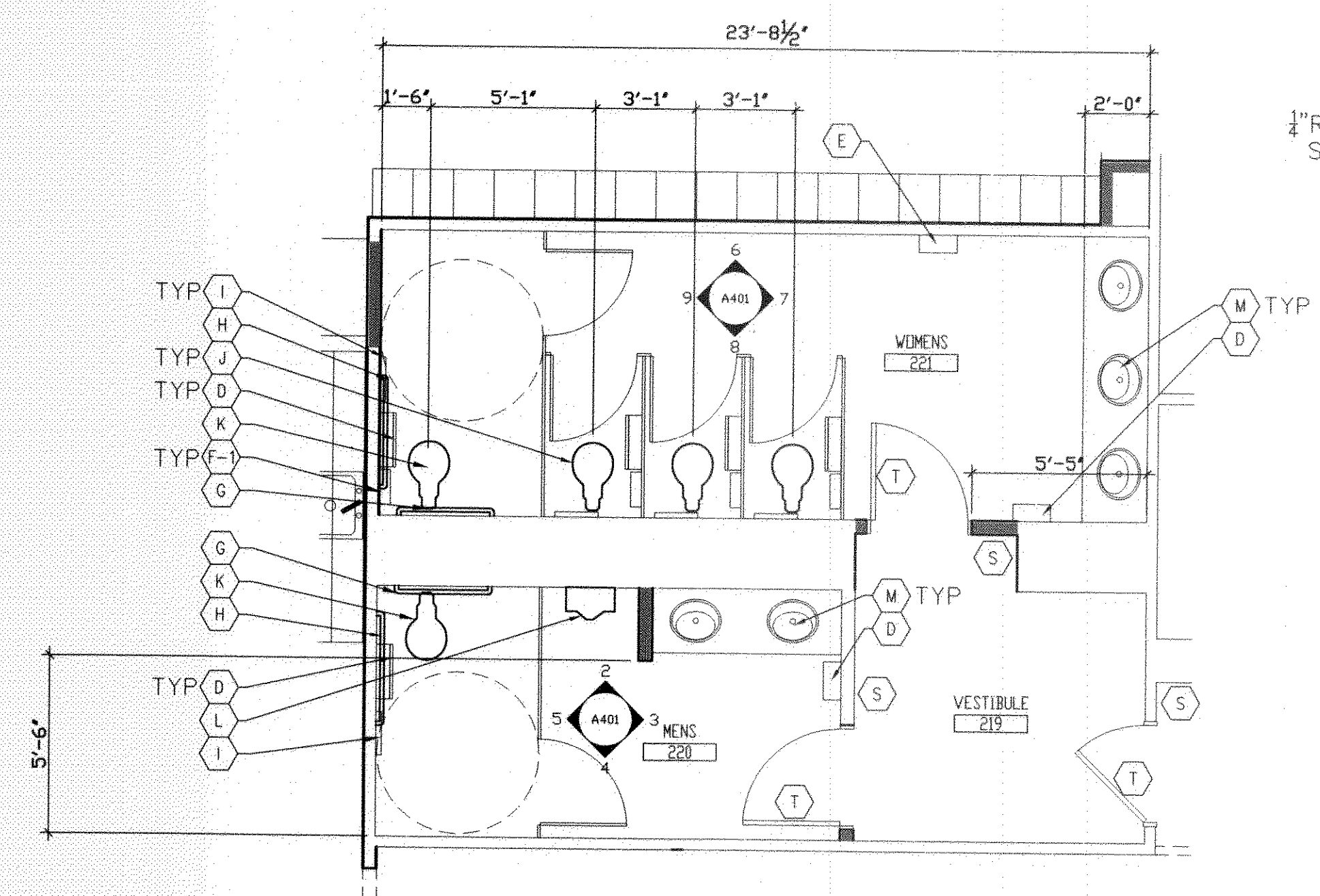
SUBMISSION	DATE
CONCEPT PLAN	12.01.09
CONSULTANT COORDINATION	12.14.09
PERMIT ISSUE SET	12.30.09

PROJECT NO: 0921

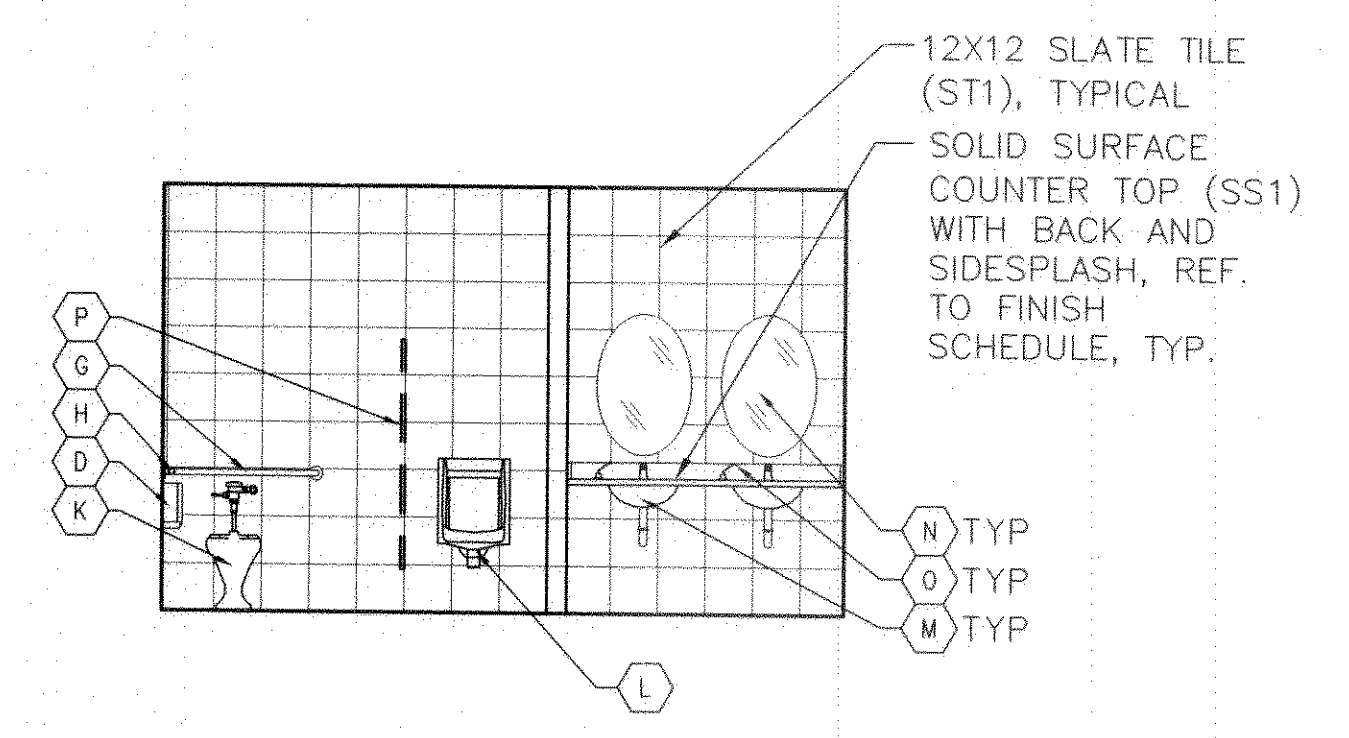
SCALE: \_\_\_\_\_

ENLARGED  
 RESTROOM PLANS  
 & ELEVATIONS

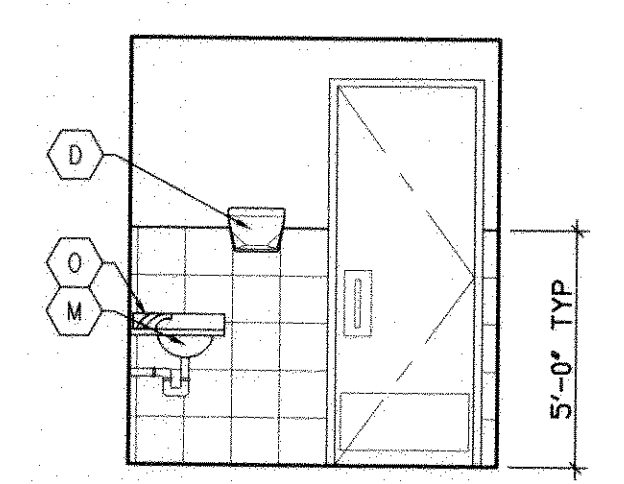
A 401



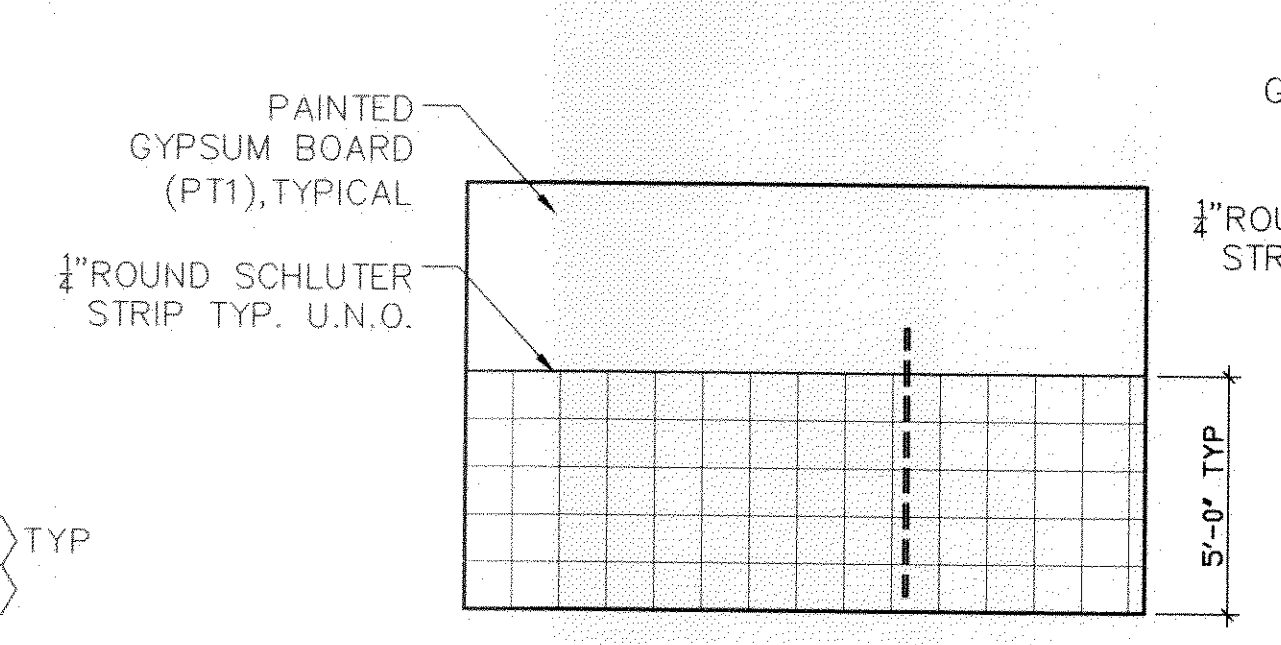
1 ENLARGE RESTROOM PLANS  
 A402 SCALE: 3/16"=1'-0"



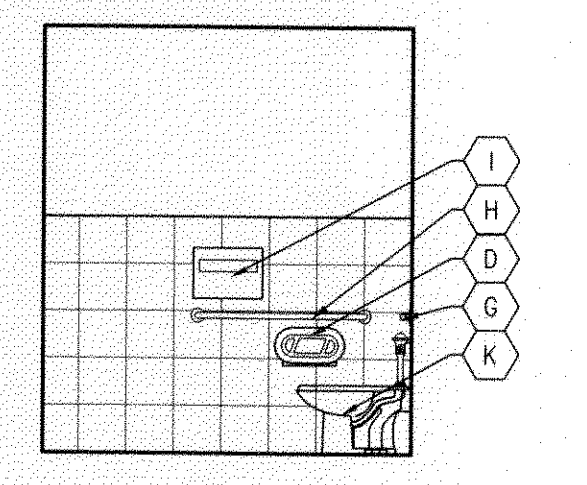
2 MENS #220 - NORTH  
 A402 SCALE: 1/4"=1'-0"



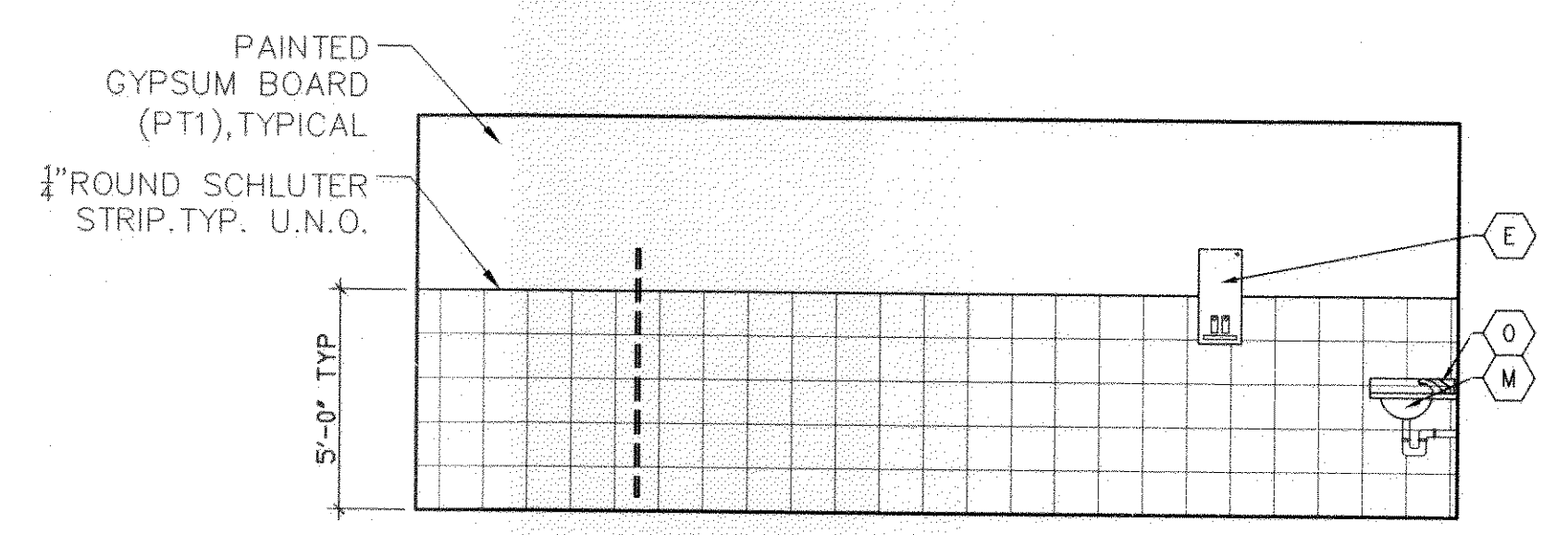
3 MENS #119 - EAST  
 A402 SCALE: 1/4"=1'-0"



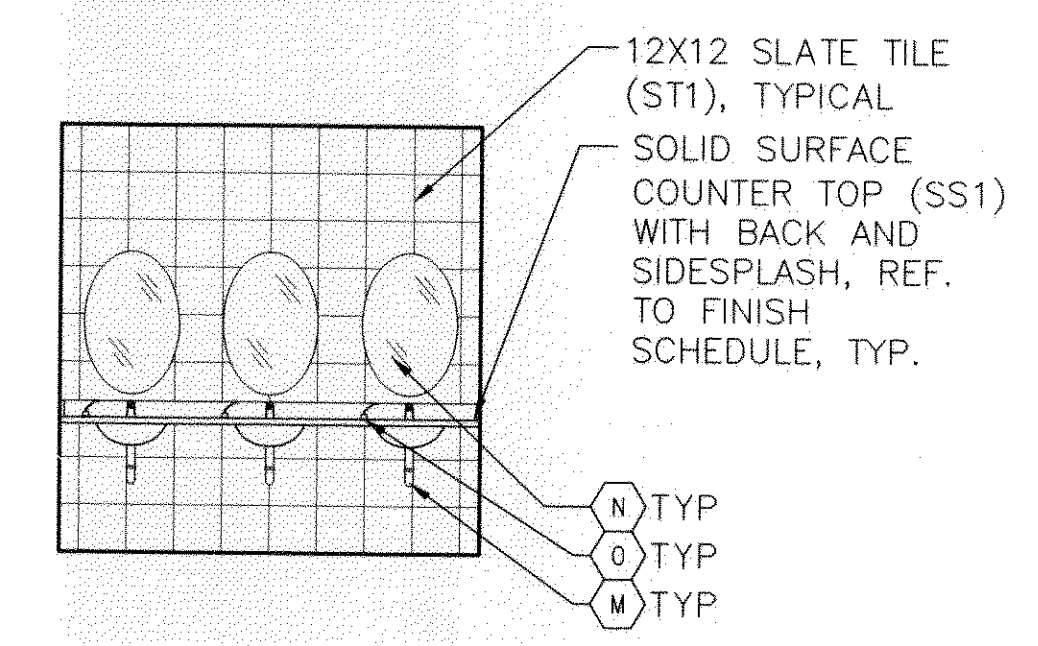
4 MENS #119 - SOUTH  
 A402 SCALE: 1/4"=1'-0"



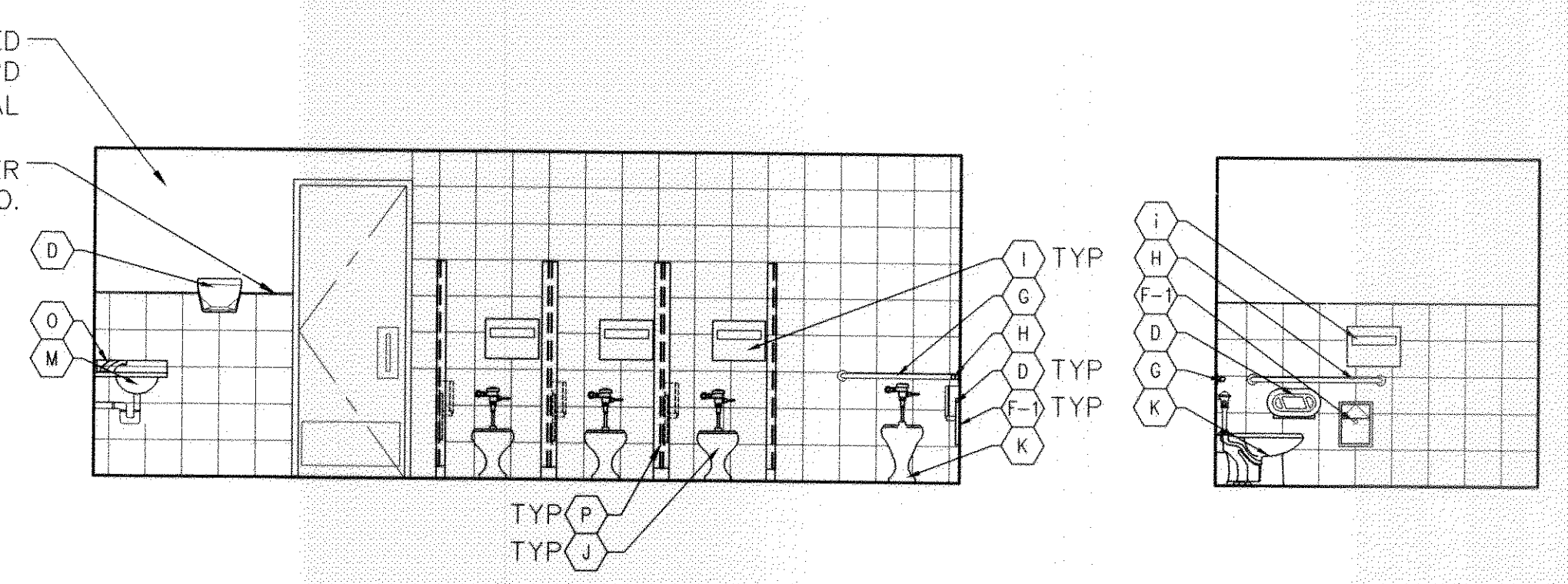
5 MENS #119 - WEST  
 A402 SCALE: 1/4"=1'-0"



6 WOMENS #118 - NORTH  
 A402 SCALE: 1/4"=1'-0"



7 WOMENS #118 - EAST  
 A402 SCALE: 1/4"=1'-0"



8 WOMENS #118 - SOUTH  
 A402 SCALE: 1/4"=1'-0"

9 WOMENS #118 - WEST  
 A402 SCALE: 1/4"=1'-0"

- GENERAL NOTES:
- ALL RESTROOMS FLOORS SHALL HAVE A SMOOTH, HARD, NON-ABSORBANT SURFACE WHICH EXTENDS FLOOR TO CEILING (MINIMUM 48" REQUIRED). REFER TO FINISH SCHEDULE.
  - ACCESSIBLE TOILET COMPARTMENT DOORS TO BE SELF CLOSING, PROVIDED WITH A "U" SHAPE HANDLE ON THE INSIDE AND OUTSIDE OF THE DOOR IMMEDIATELY BELOW THE ACCESSIBLE LATCH. PROVIDE 32" MIN. CLEAR AT END OPENING OF COMPARTMENT AND 34" CLEAR AT SIDE OF OPENING COMPARTMENT.
  - REFER TO PLUMBING DRAWINGS FOR ADDITIONAL INFORMATION.
  - FOLLOW MANUFACTURER'S RECOMMENDATIONS FOR ALL BLOCKING AND SUPPORT REQUIRED FOR ANCHORING OF ACCESSORIES TO PARTITIONS, REFER TO PLANS FOR LOCATIONS OF RECESSED OR SURFACE MOUNTED ITEMS.
  - REFER TO SHEET A221, A222, A223 FOR FINISHED CEILING HEIGHTS.
  - REFER TO SHEET A104 FOR FINISH SCHEDULE.
  - REFER TO SHEET A402 FOR TOILET ACCESSORY AND PLUMBING FIXTURE SCHEDULE AND MOUNTING HEIGHTS.
  - SCHULTER STRIP TRIM PIECE AT 5'-0" SLATE WALL, REFER TO A104

- RESTROOM KEYNOTES:
- ~~A. SURFACE MOUNTED PAPER TOWEL DISPENSER BY A.S.I. #021~~
  - ~~B. SURFACE MOUNTED PAPER TOWEL DISPENSER BY GEORGIA PACIFIC FEMOTION #59455~~
  - B. SURFACE MOUNTED ELECTRIC HAND DRYER BY XLERATOR #XL-GR - TEXTURE GRAPHITE. VERIFY POWER REQUIREMENTS WITH MANUFACTURER PRIOR TO INSTALLATION.
  - ~~C. SURFACE MOUNTED WASTE RECEPTACLE #0028 BY A.S.I.~~
  - ~~D. FREE STANDING WASTE RECEPTACLE BY A.S.I. #0010~~
  - D. SURFACE MOUNTED JUMBO-ROLL TOILET TISSUE DISPENSER BY A.S.I. #0040.
  - ~~E. SURFACE MOUNTED TWI-SIDE ROLL TOILET TISSUE DISPENSER BY A.S.I. #0030~~
  - E. SURFACE MOUNTED SANITARY NAPKIN/TAMPON VENDOR #0864 BY A.S.I.
  - F-1. SURFACE MOUNTED SANITARY NAPKIN DISPOSAL #0473 BY A.S.I.
  - G. EXISTING 36" GRAB BARS TO BE RELOCATED
  - H. EXISTING 42" GRAB BARS TO BE RELOCATED
  - I. WALL MOUNTED TOILET SEAT COVER DISPENSER, PROFILE COLLECTION, #9477-SM BY A.S.I.
  - J. EXISTING WATER CLOSET TO BE RELOCATED
  - K. EXISTING H.C. WATER CLOSET TO BE RELOCATED
  - L. EXISTING URINAL TO BE RELOCATED
  - M. LAVATORY #K-2602-S "RHYTHM" BY KOHLER, SATIN FINISH, UNDER COUNTER, FLAT RIM. PROVIDE RELIANT #2385.005, 2.2 GPM FAUCET BY AMERICAN STANDARD WITH TEMPERATURE STOPS SET AT 110F.
  - N. MIRROR BY GENERAL CONTRACTOR, VERIFY WITH OWNER
  - O. SOAP DISPENSER WITH 6" LONG SPOUT AND HIGH RISE STEM FOR CLEARANCE WITH SINK BY A.S.I. #0332-D.
  - P. SOLID PLASTIC TOILET PARTITION OR WALL-HUNG URINAL SCREEN BY COMTEC INDUSTRIES / CAPITAL PARTITIONS OR EQUAL. FLOOR MOUNTED, OVERHEAD BRACED, COLOR CHARCOAL GRAY. PROVIDE LOOP OR U-SHAPED HARDWARE. 800.445.5148. CONTRACTOR TO PROVIDE SHOP DRAWINGS FOR REVIEW.
  - ~~Q. BARRIER FREE DUAL HEIGHT WALL MOUNTED DRINKING FOUNTAIN # MMR3, STAINLESS STEEL BY "BASIC"~~
  - ~~R. OPTION: BOTTLE COOLER - BSA SERIES OASIS # BSA1SH (GOLD N' GOLD) STAINLESS STEEL~~
  - ~~S. H.C. UNIVERSAL DESIGN WALL HUNG LAVATORY # 0924-D22 BY AMERICAN STANDARD "MURRO". 34" MAX HEIGHT REQUIRED. ADA FAUCET #1689 - CP BY CHICAGO FAUCETS. ADA FIXED ANGLE TILT MIRROR # 0535 BY A.S.I.~~
  - S. WALL-MOUNTED STANDARD ACCESSIBLE SIGNAGE WITH CORRESPONDING GRADE II BRAILLE TO BE LOCATED ON LATCH SIDE OF DOOR, CLEAR OF DOOR SWING. MOUNT AT 60" TO CENTERLINE OF SIGN FROM DOOR. ADA #4.30.
  - T. DOOR MOUNTED STANDARD ACCESSIBLE SIGNAGE. MOUNT AT 60" TO CENTERLINE OF SIGN FROM FLOOR. PROVIDE A CONTRASTING COLORED 1/4" THICK, 12' EQUILATERAL TRIANGLE ON MEN'S RESTROOM DOOR, AND A 1/4" THICK, CONTRASTING COLORED 12' DIAMETER CIRCLE ON THE WOMEN'S RESTROOM DOOR. ADA #4.30.6.
  - ~~U. FLOOR DRAIN #2005-D BY SRI, SMITH, CAST IRON BODY WITH 1" NICKEL BRONZE STRAINER HEAD. SLOPE FLOOR DRAIN PER PLAN, 1/4" PER FOOT~~
  - ~~V. WALL MOUNTED VERTICAL SOAP DISPENSER BY A.S.I. #0247~~

REVIEWED FOR  
 STATE FIRE MARSHAL  
 AS PER REVIEW LETTER  
 BY: CDDY NAME  
*Bradford J. Dudley*

375138

PERMIT ISSUE SET: 12.30.09