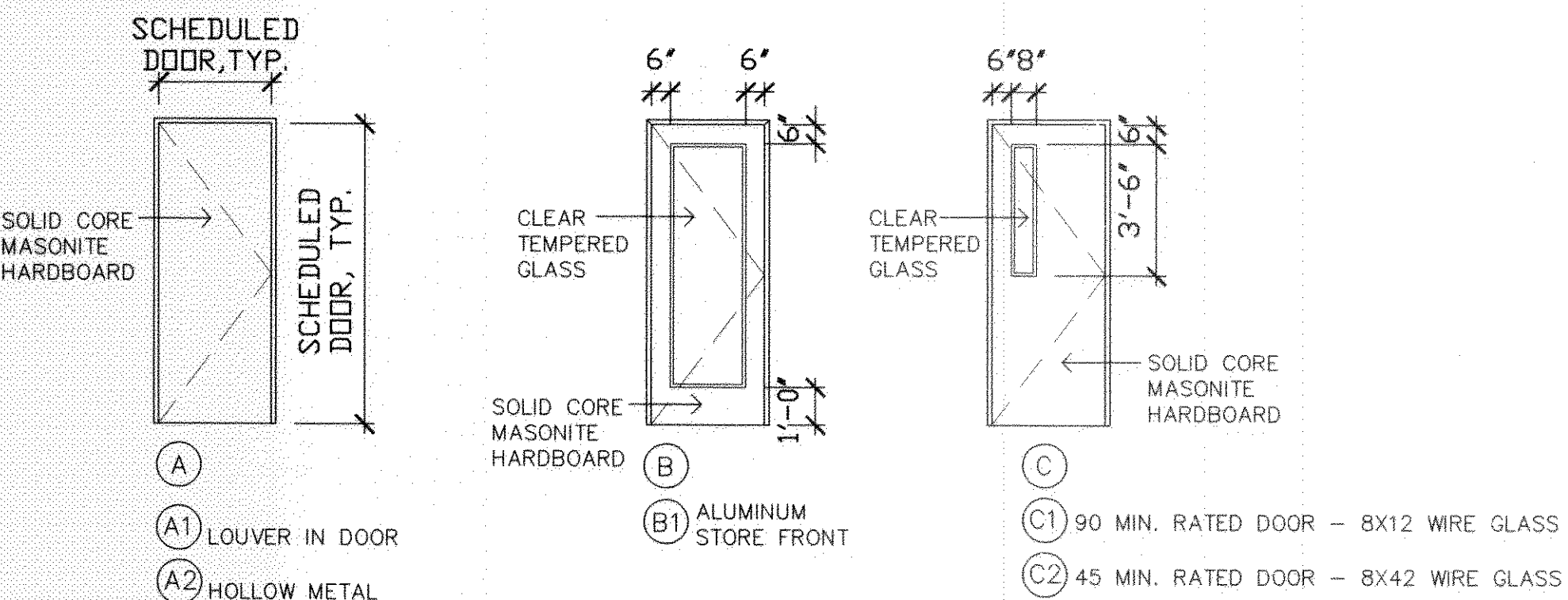


DOOR TYPES:

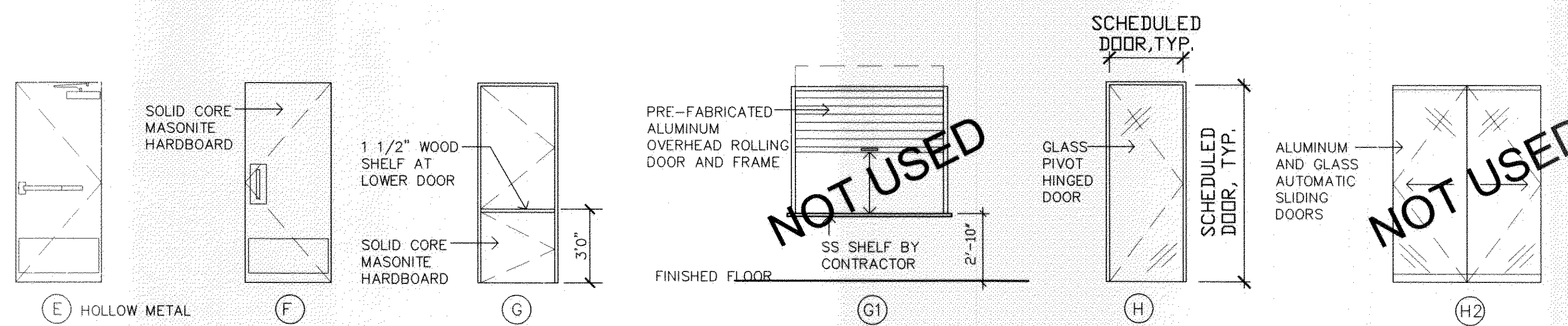
- A = STORAGE, JANITOR, CLOSETS, LAUNDRY.
- B = FACULTY OFFICES
- C = CLASSROOMS, GENERAL CLASSROOM
- D = EXTERIOR STOREFRONT
- E = EMERGENCY EXIT
- F = RESTROOMS
- G = DISPENSE
- H = WASH HOUSE



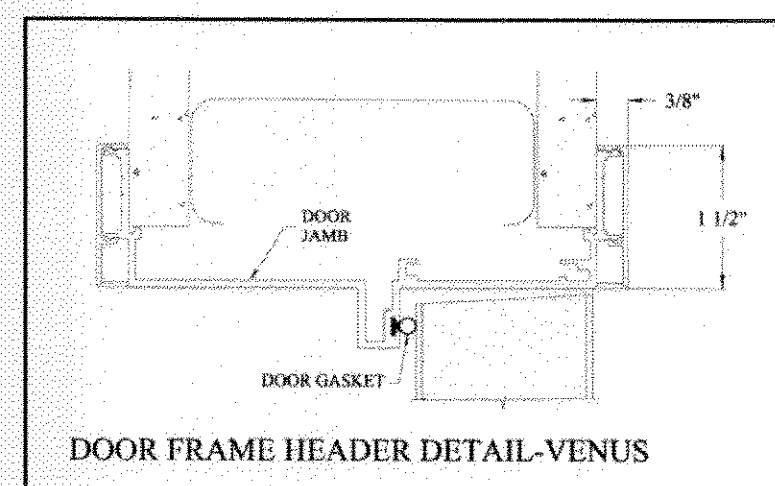
- NOTE:
 1. ALL NEW INTERIOR DOORS TO BE PAINTED TO MATCH SCHEDULED WALL COLOR, UNLESS OTHERWISE NOTED.
 2. EXISTING DOORS TO REMAIN SHALL BE FINISHED TO MATCH NEW DOORS.

GENERAL NOTES:

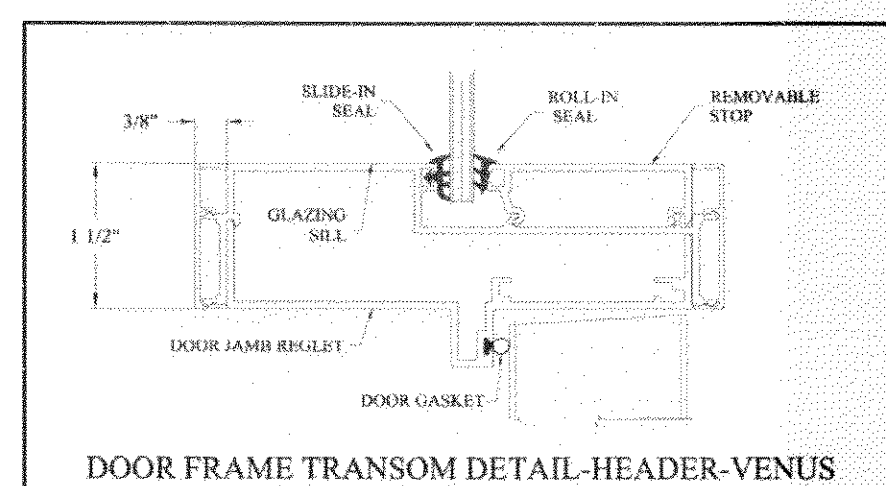
- REFERENCE SHEET A502 FOR FRAME DETAILS
- REFERENCE SHEET A501 FOR DOOR SCHEDULE AND HARDWARE SCHEDULE
- ALL DIMENSIONS TO BE VERIFIED IN FIELD.



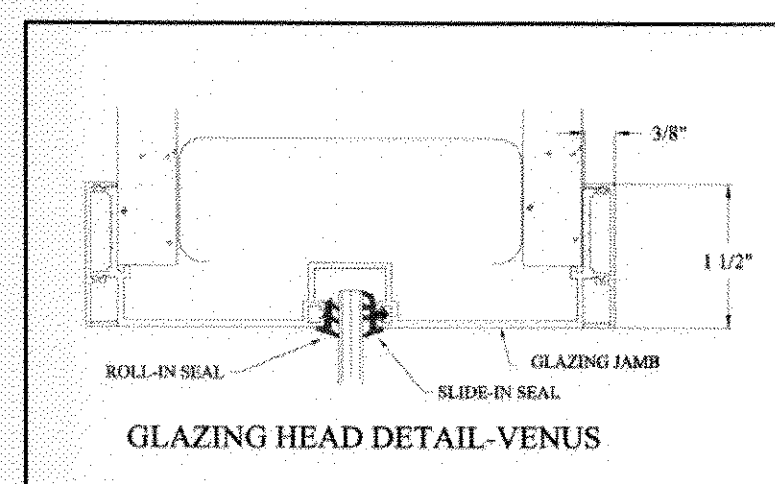
HEAD DETAILS:



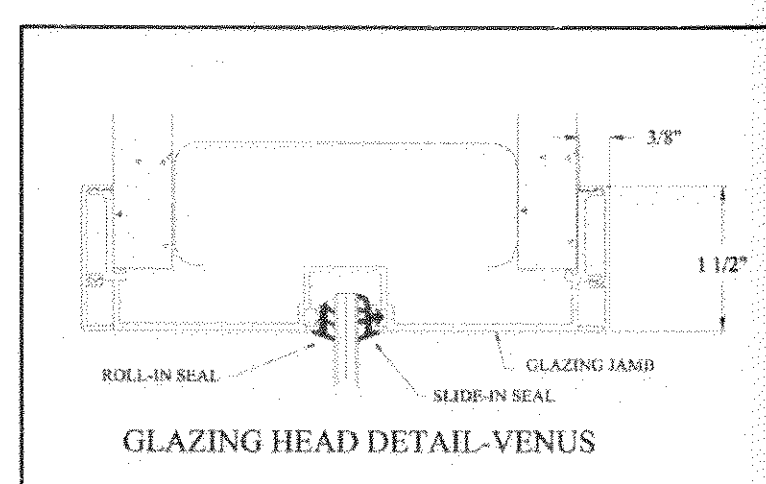
H1



H3

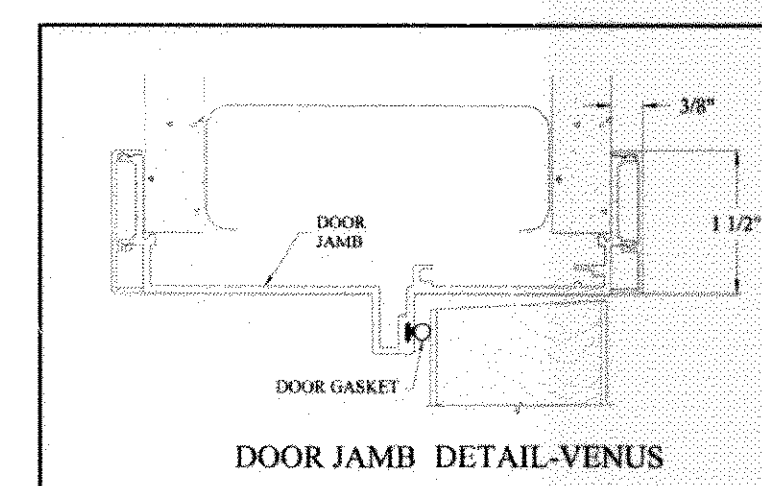


H2

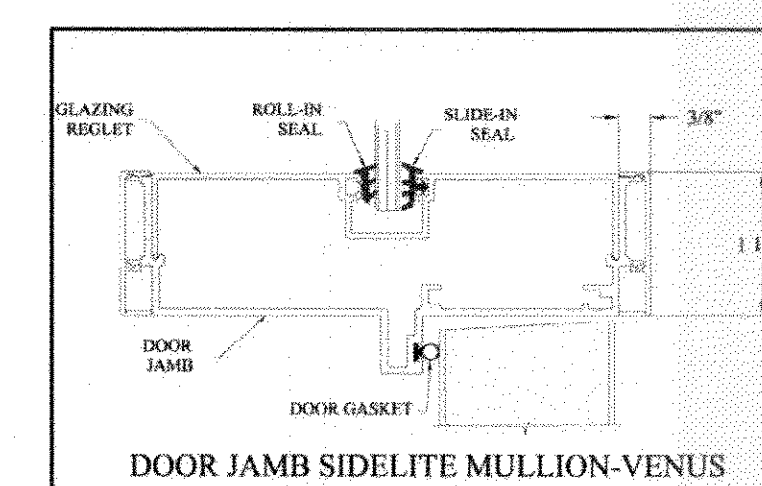


H4

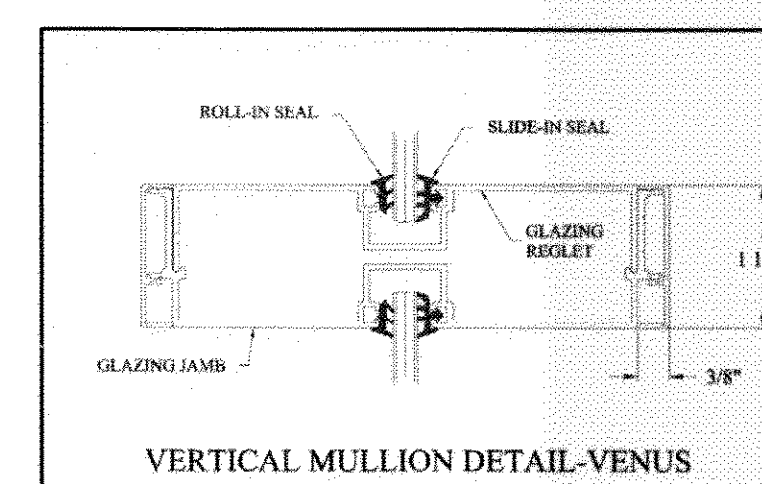
JAMB DETAILS:



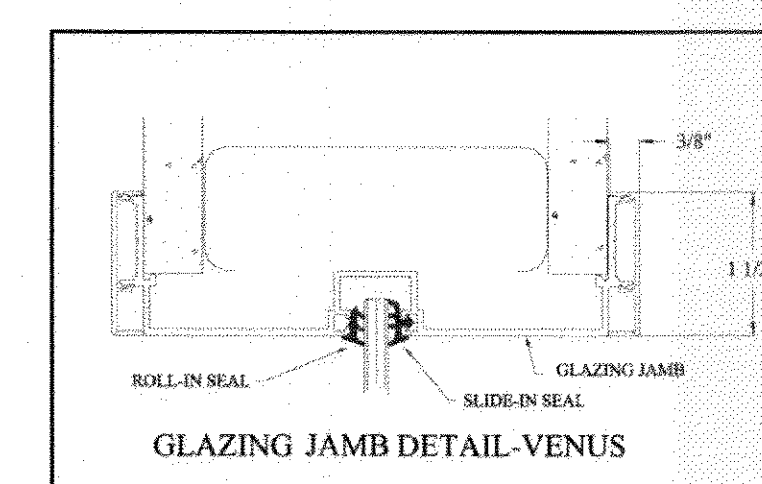
J1



J2



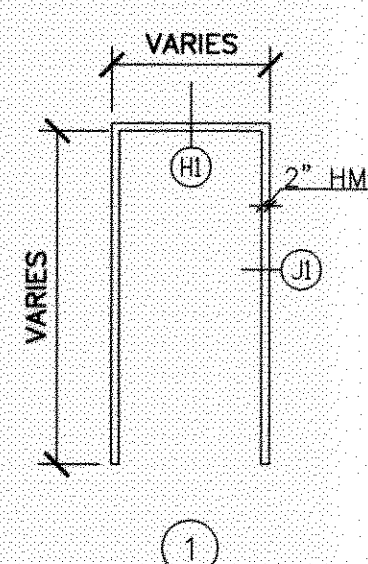
J3



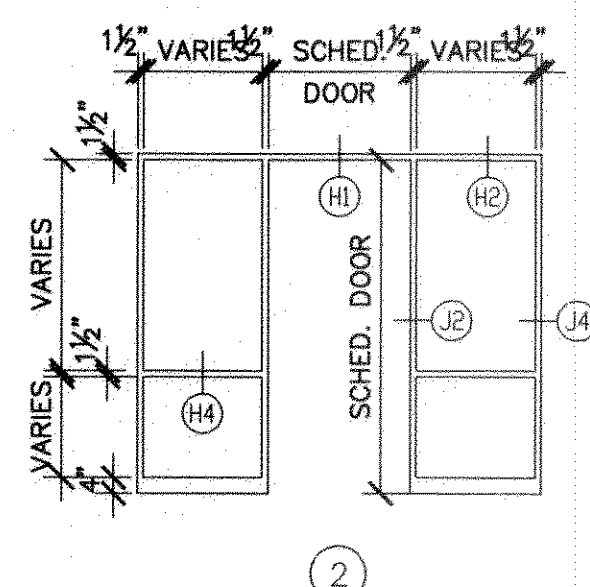
J4

FRAME TYPES:

- NOTE:
 1. SEE DOOR SCHEDULE FOR FRAME MATERIAL AND FINISH.
 2. EXISTING FRAMES TO REMAIN SHALL BE FINISHED TO MATCH NEW DOORS.
 3. REFER TO SHEET A502 FOR HEAD AND JAMB DETAILS.

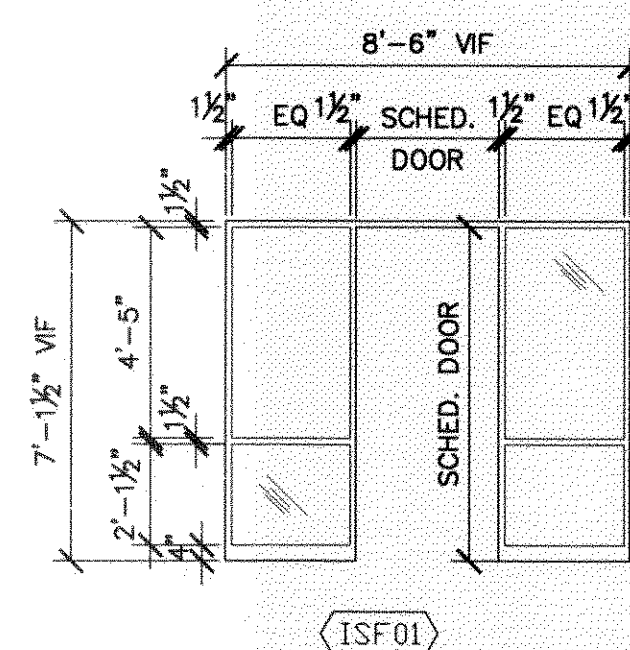


1

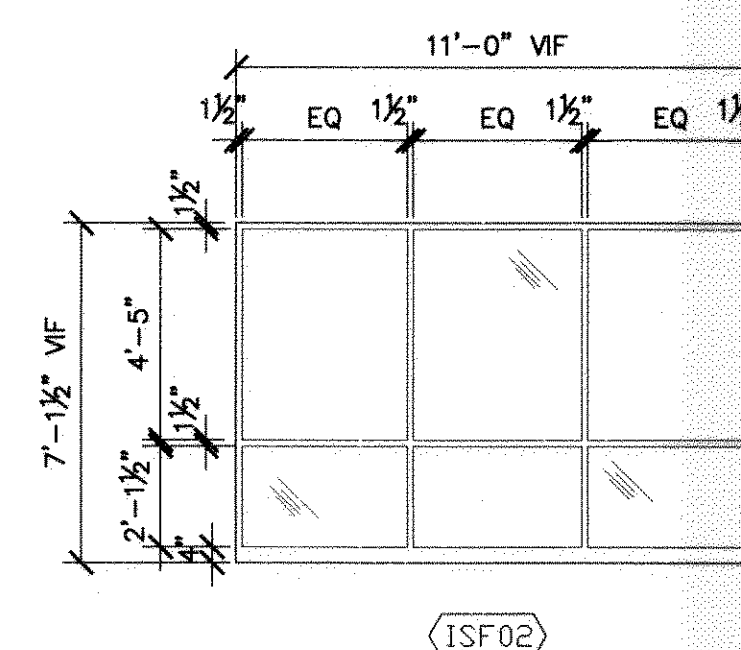


2

INTERIOR STOREFRONT SCHEDULE:



ISF01



ISF02

ARCHITECTS OF RECORD:

BRADFORD J. DUDLEY
 345 THIRD STREET
 LAGUNA BEACH, CALIFORNIA 92651
 T: 949.376.3076 F: 949.376.3078

PAUL MITCHELL
 PARTNER SCHOOL

METAIRIE, LA

3321 HESSMER AVENUE
 METAIRIE, LA 70002

CLIENT:

MARK AND LISA PALERMO

PROFESSIONAL SEAL:

SIGNATURE: [Signature] DATE: 12-24-2009

SUBMISSION	DATE
CONCEPT PLAN	12.01.09
CONSULTANT COORDINATION	12.14.09
PERMIT ISSUE SET	12.30.09

PROJECT NO: 0921

SCALE:

DOOR TYPES,
 SF SCHEDULE,
 FRAME DETAILS
 & TYPES
 A 502

PERMIT ISSUE SET: 12.30.09

REVAL FOR STATE OF LOUISIANA REGISTERED PROFESSIONAL ENGINEER BRADFORD J. DUDLEY No. 113,755 375133