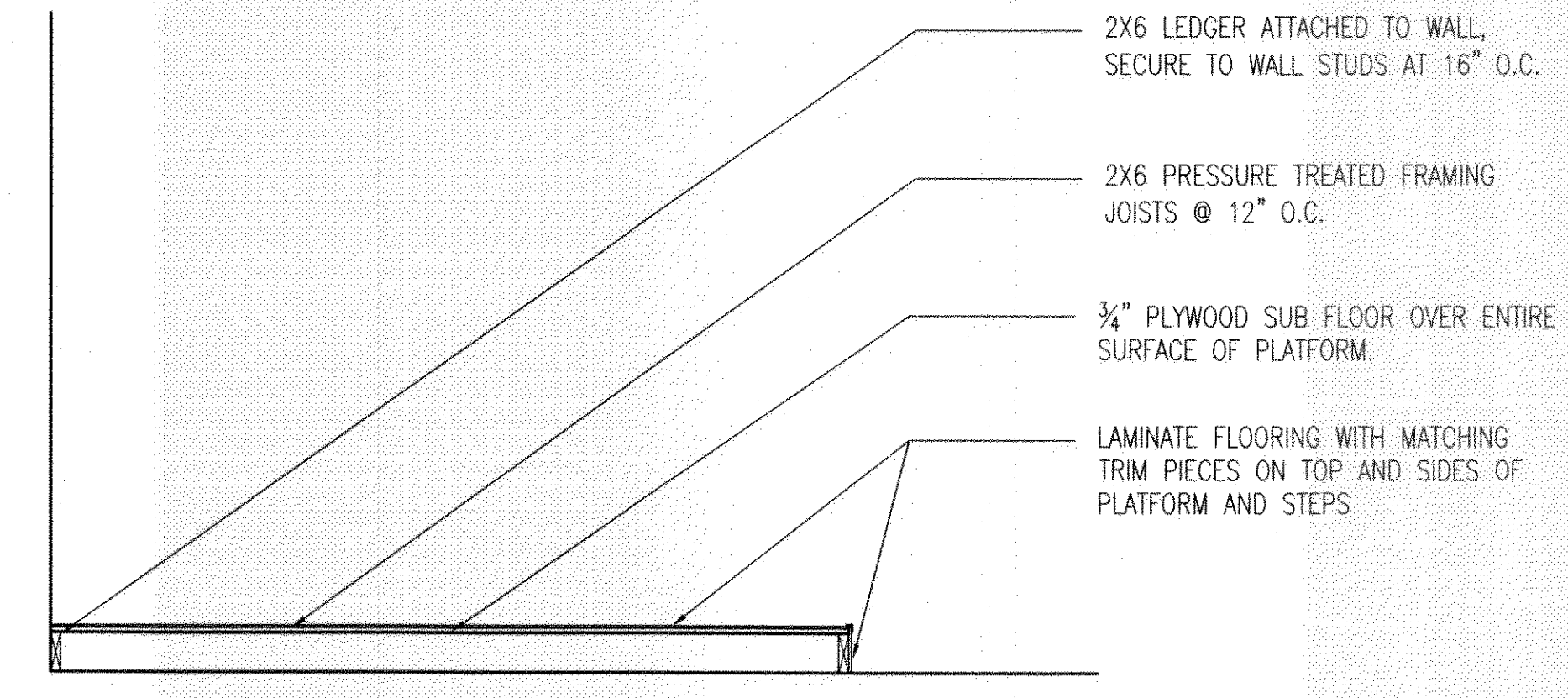
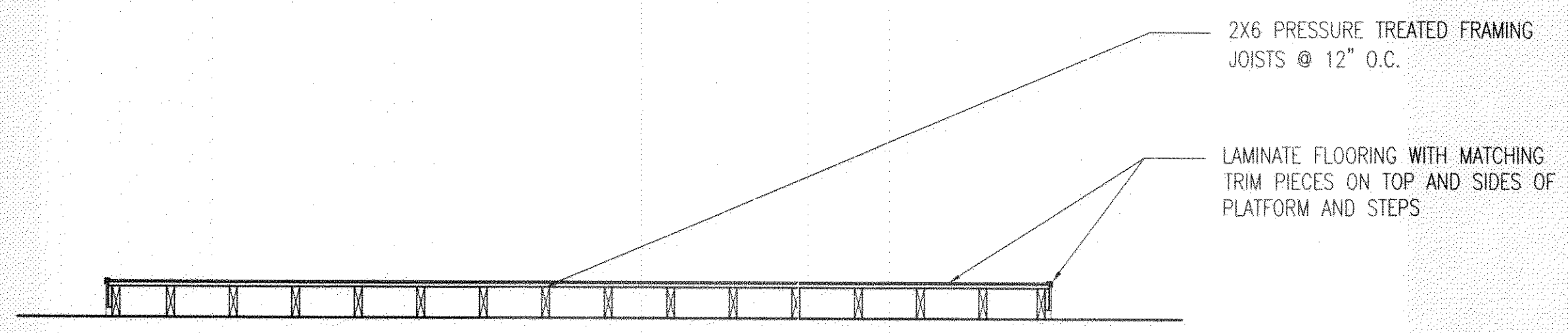


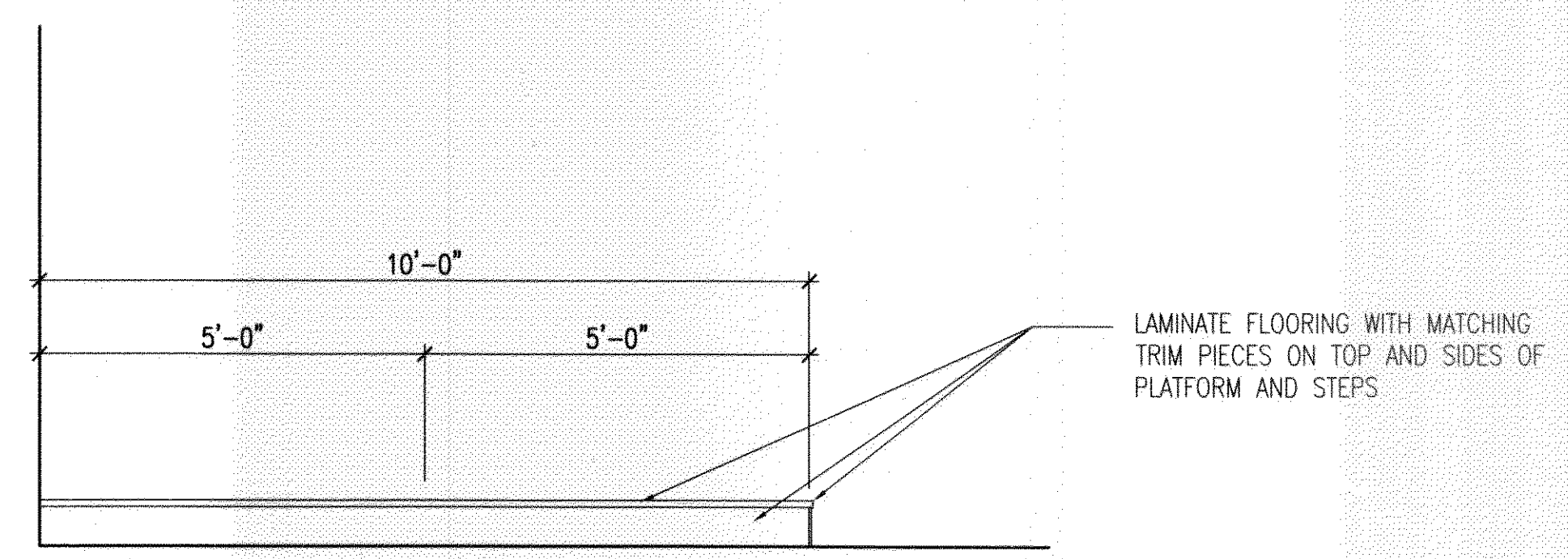
1 PLATFORM - ENLARGED PLAN  
A603 SCALE: 1/2"=1'-0"



2 PLATFORM - SECTION  
A603 SCALE: 1/2"=1'-0"



3 PLATFORM - SECTION  
A603 SCALE: 1/2"=1'-0"



4 PLATFORM - SIDE ELEVATION  
A603 SCALE: 1/2"=1'-0"

ARCHITECTS OF RECORD:  
  
BRADFORD J. DUDLEY  
345 THIRD STREET  
LAGUNA BEACH, CALIFORNIA 92651  
T: 949.376.3076 F: 949.376.3078

**PAUL MITCHELL**  
**PARTNER SCHOOL**  
  
METAIRIE, LA  
  
3321 HESSMER AVENUE  
METAIRIE, LA 70002

CLIENT:  
MARK AND LISA PALERMO

PROFESSIONAL SEAL:  
  
  
SIGNATURE: *[Signature]* DATE: 12-24-2009

SUBMISSION	DATE
CONCEPT PLAN	12.01.09
CONSULTANT COORDINATION	12.14.09
PERMIT ISSUE SET	12.30.09

PROJECT NO: 0921  
SCALE:

PLATFORM  
DETAILS  
  
A 603

REVIEWED FOR  
STATE FIRE MARSHAL  
AS PER REVIEW LETTER  
BY: ODIS V. RANKE  
*[Signature]*  
375133

PERMIT ISSUE SET: 12.30.09