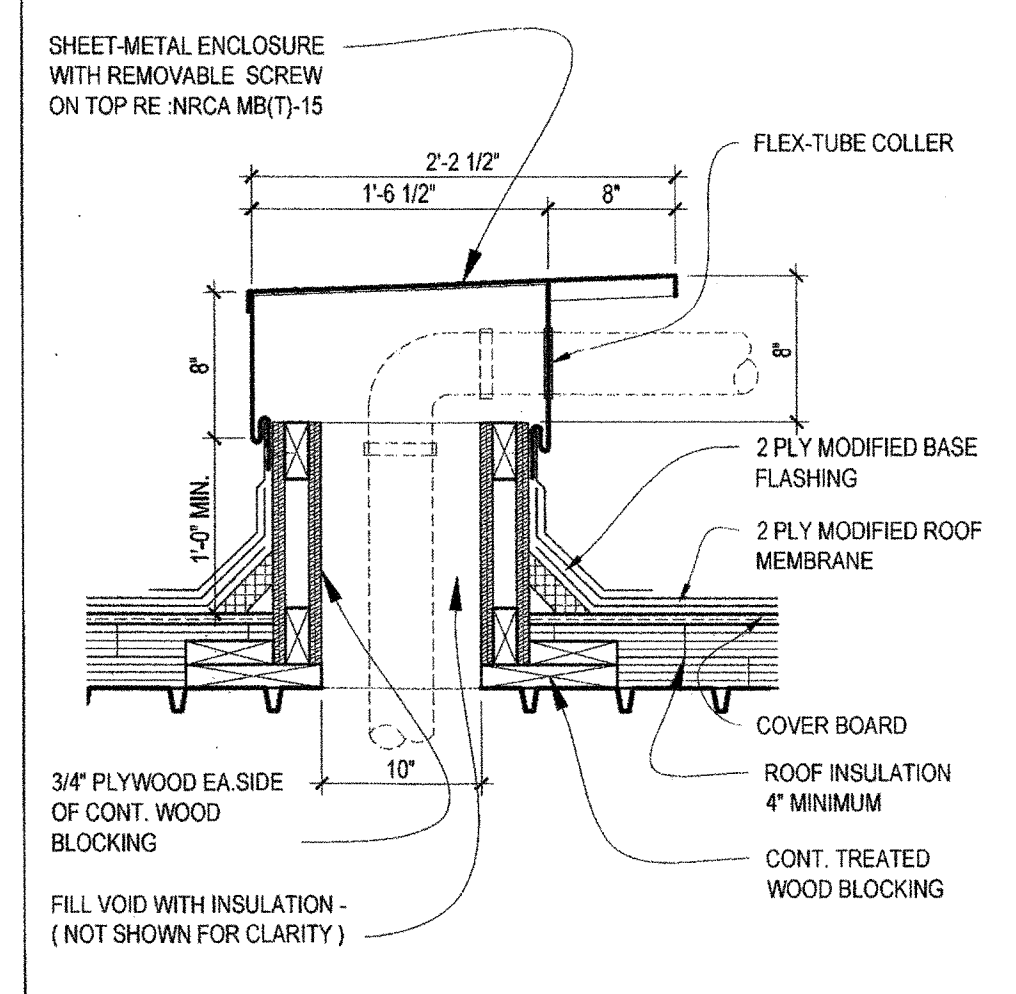
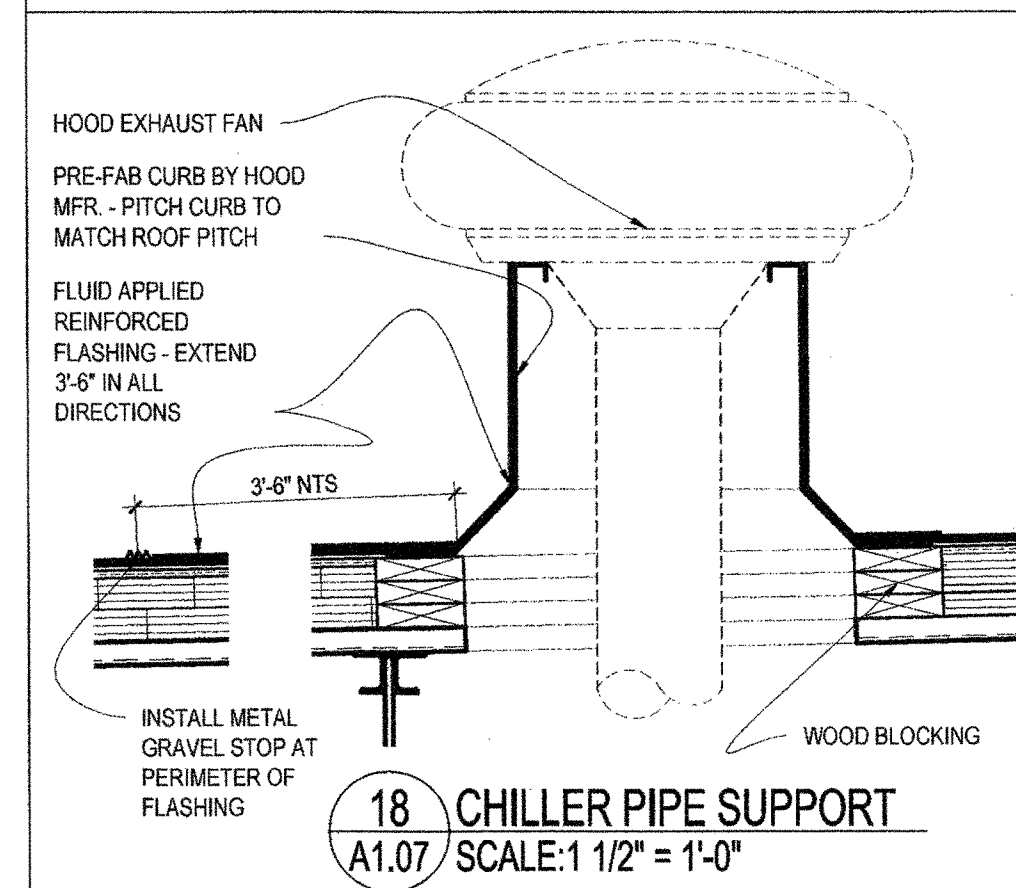


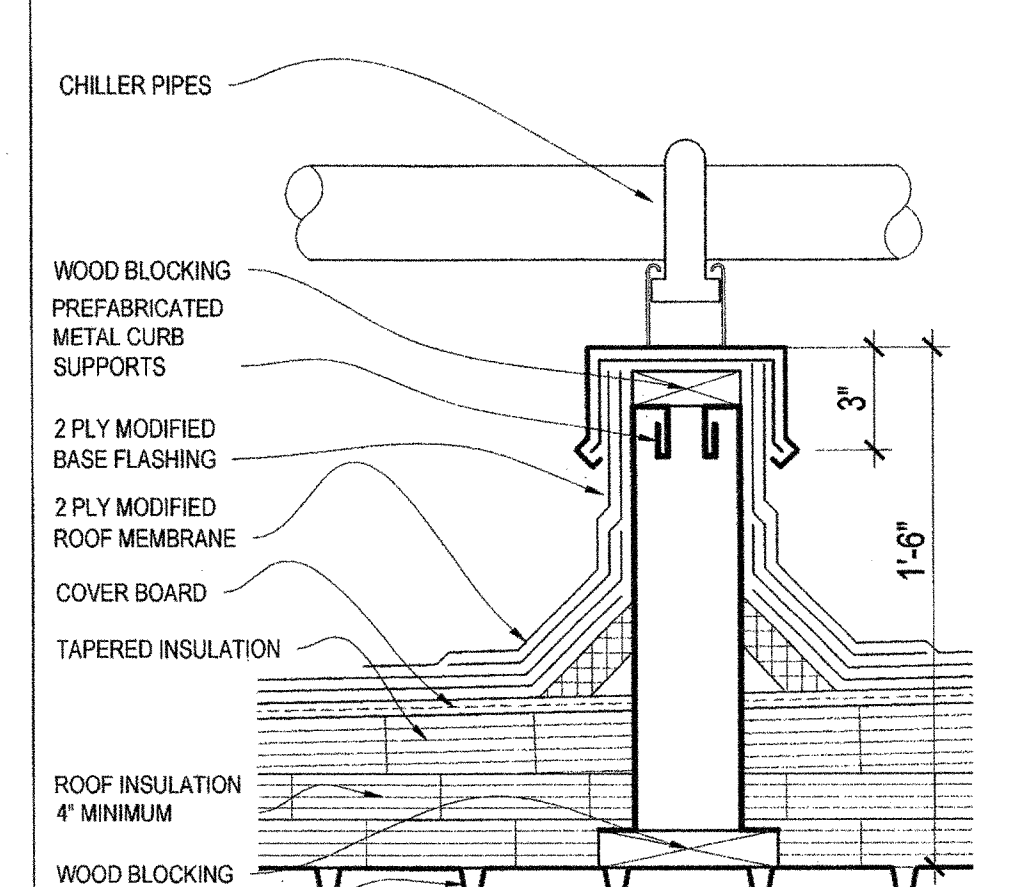
**16 PIPE / CONDUIT SUPPORT**  
A1.07 / SCALE: 1/2" = 1'-0"



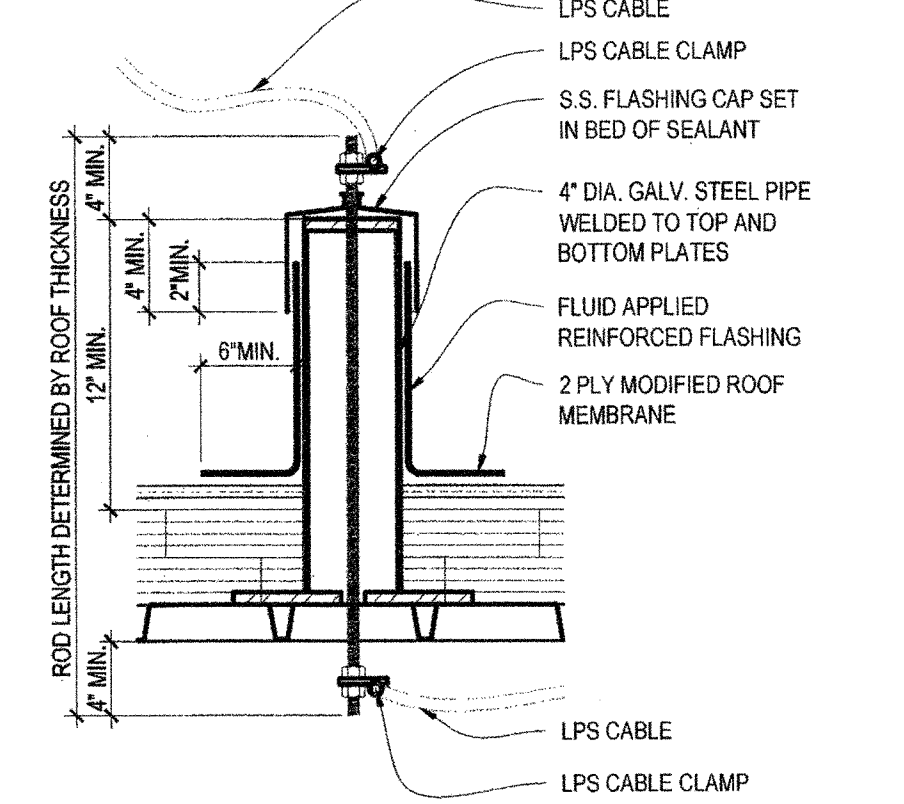
**19 TYPICAL PIPING HOOD**  
A1.07 / SCALE: 1/2" = 1'-0"



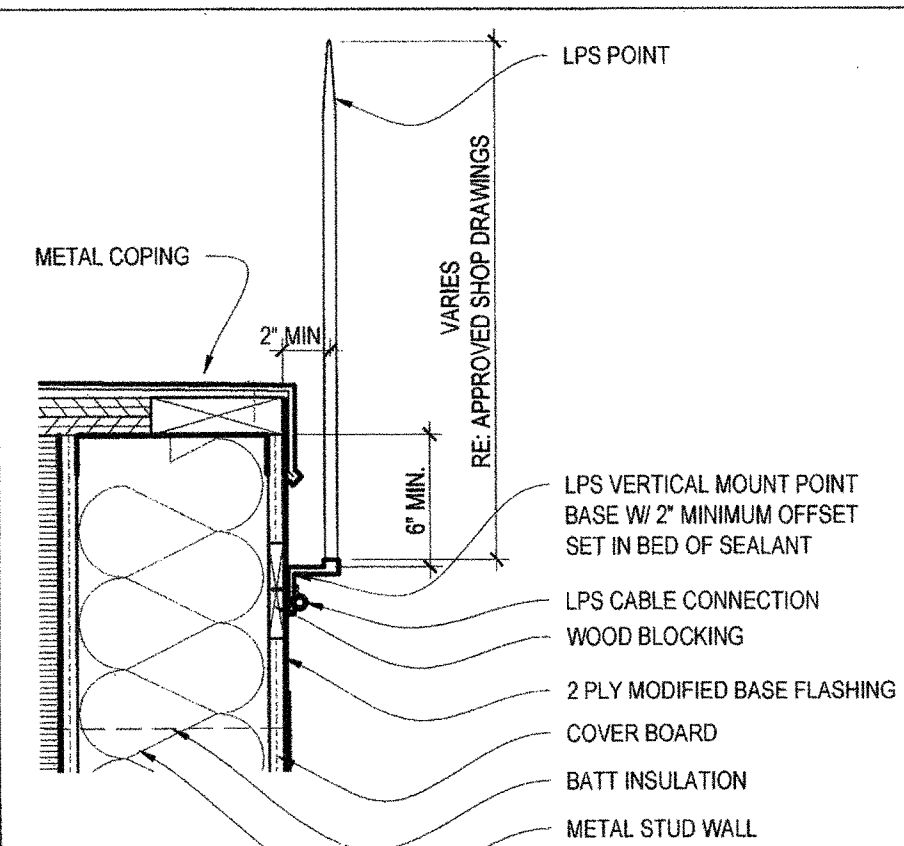
**18 CHILLER PIPE SUPPORT**  
A1.07 / SCALE: 1/2" = 1'-0"



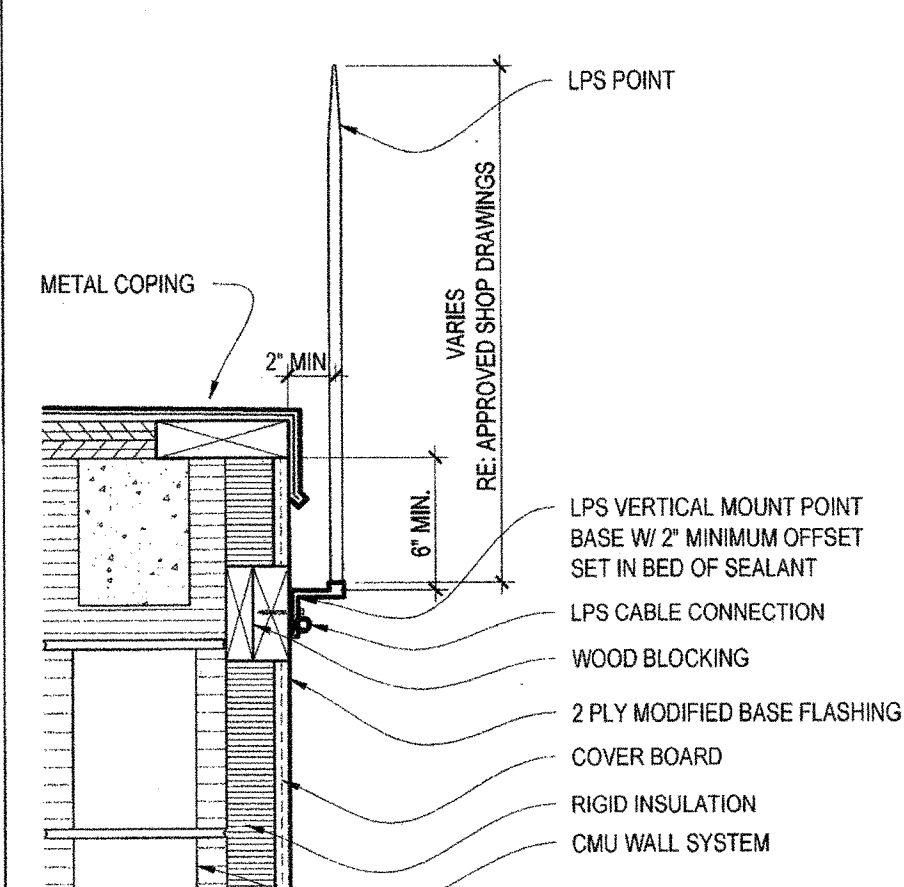
**17 CHILLER PIPE SUPPORT**  
A1.07 / SCALE: 1/2" = 1'-0"



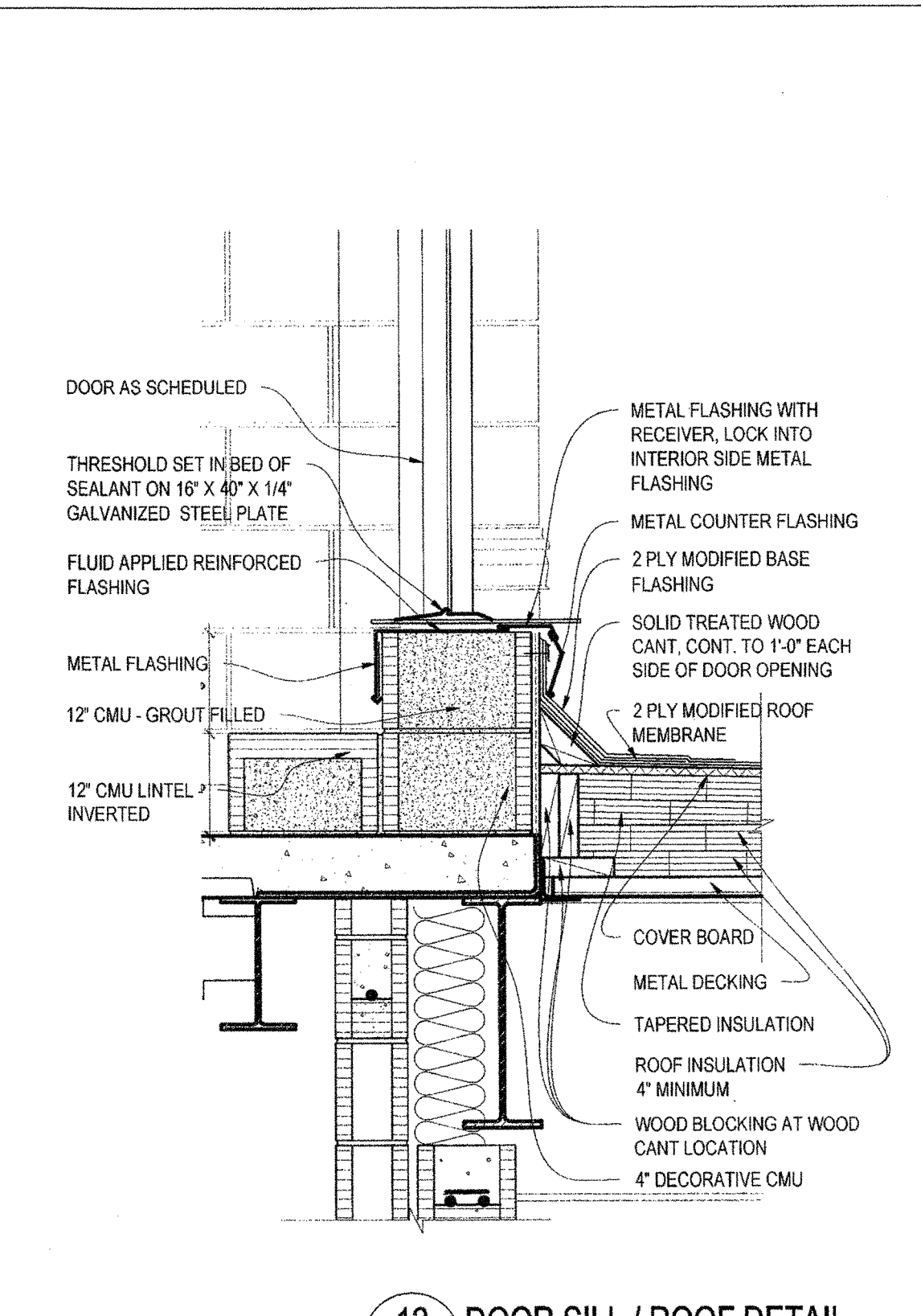
**15 LIGHTNING PROTECTION - THRU-ROOF**  
A1.07 / SCALE: 1/2" = 1'-0"



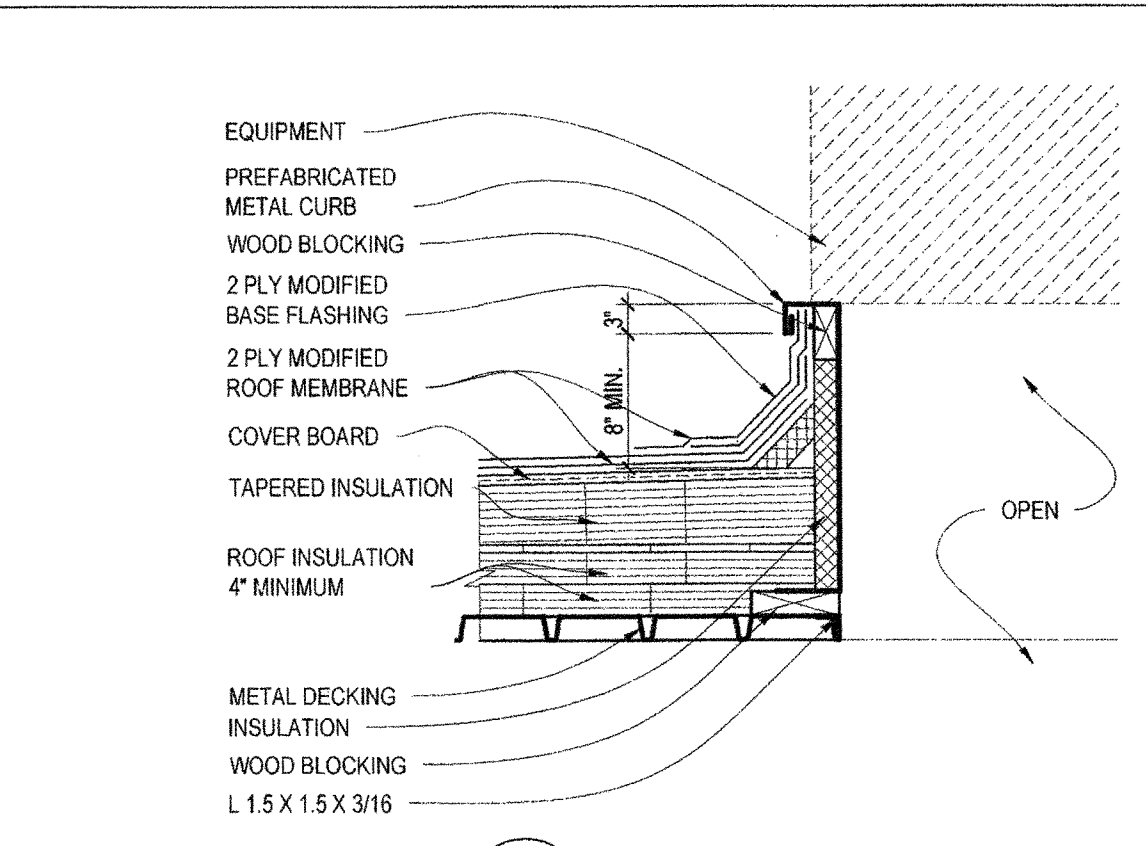
**14 LIGHTNING PROTECTION - METAL STUDS**  
A1.07 / SCALE: 1/2" = 1'-0"



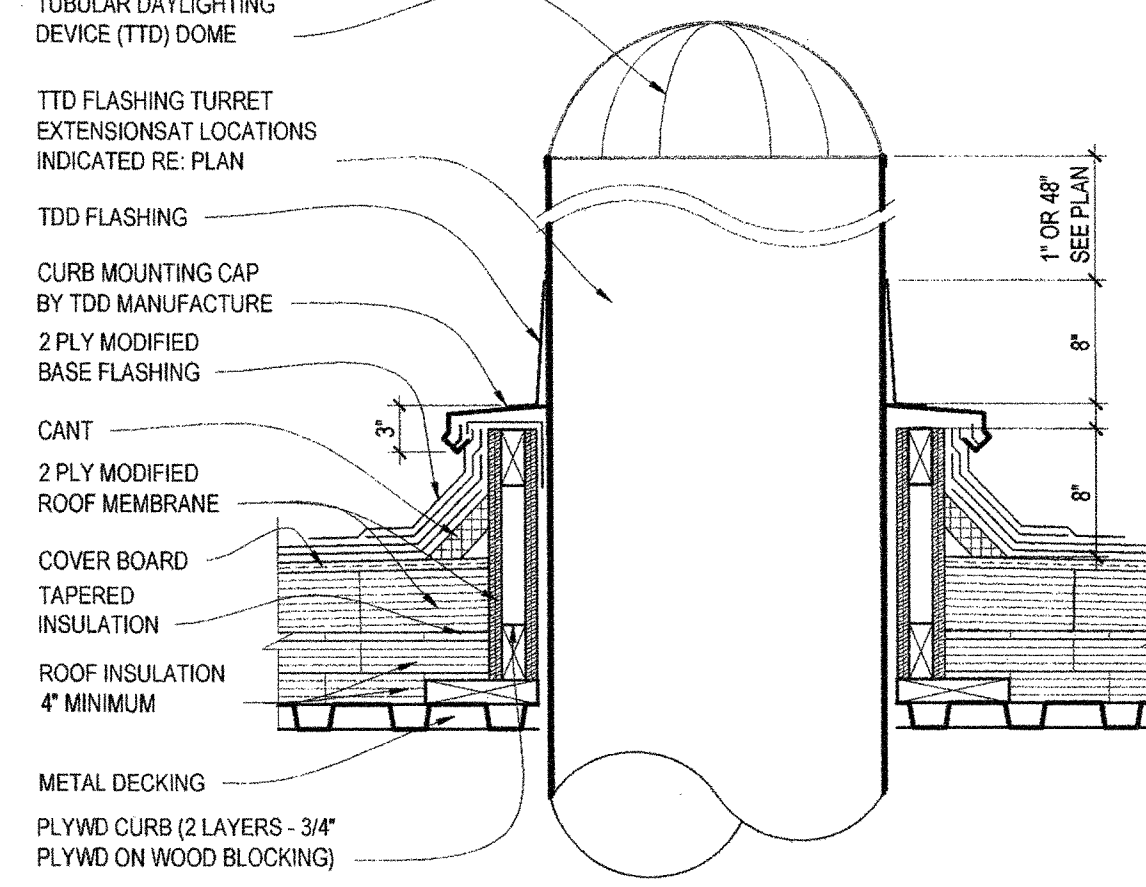
**13 LIGHTNING PROTECTION (LPS) - CMU**  
A1.07 / SCALE: 1/2" = 1'-0"



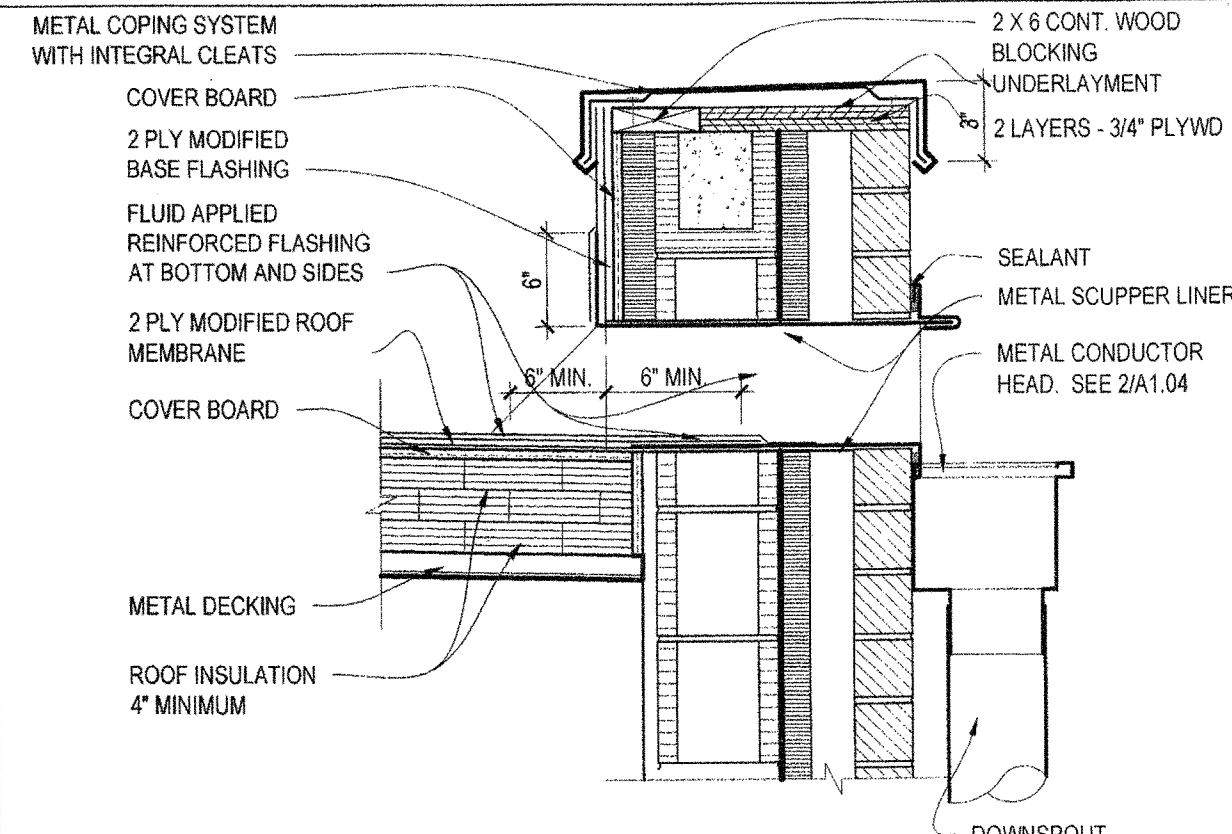
**12 DOOR SILL / ROOF DETAIL**  
A1.07 / SCALE: 1" = 1'-0"



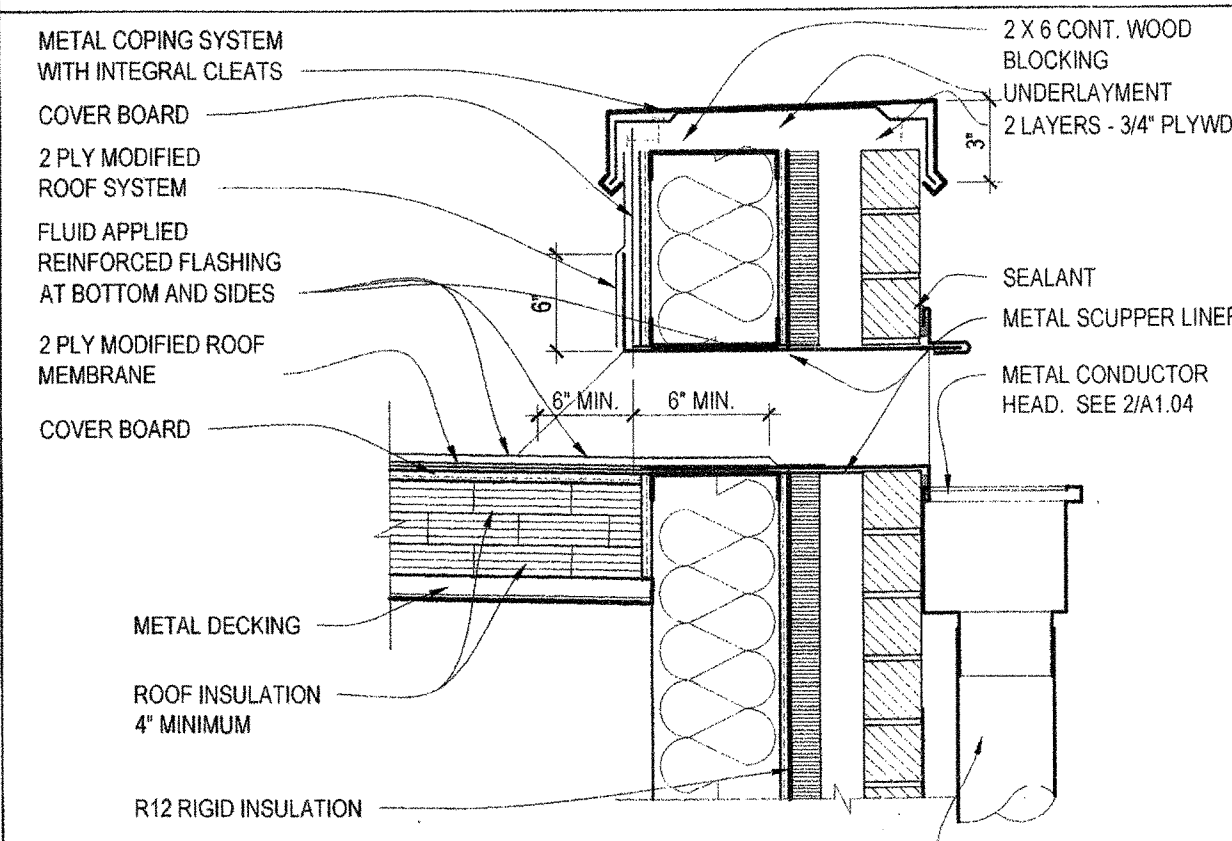
**11 TYPICAL PREFAB CURB**  
A1.07 / SCALE: 1" = 1'-0"



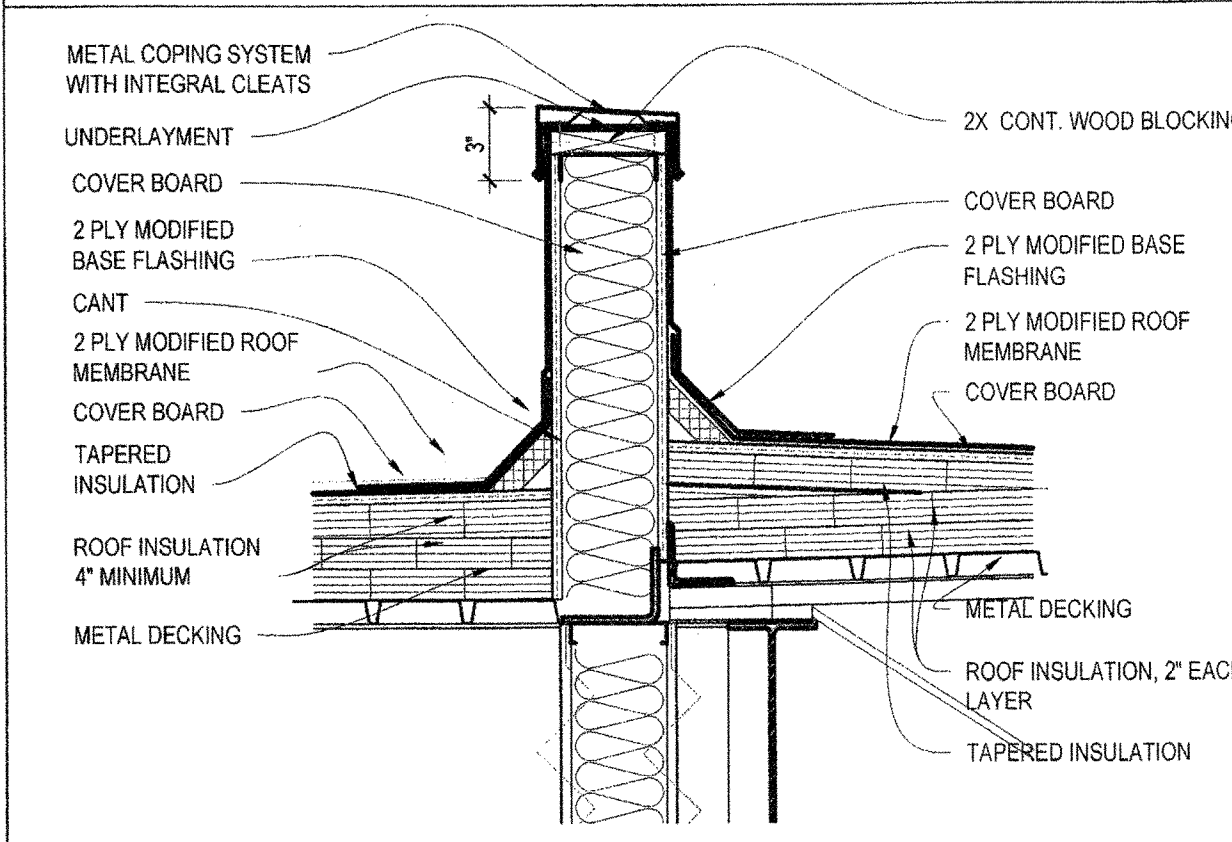
**10 TUBULAR DAYLIGHTING DEVICE (TDD) DETAIL**  
A1.07 / SCALE: 1" = 1'-0"



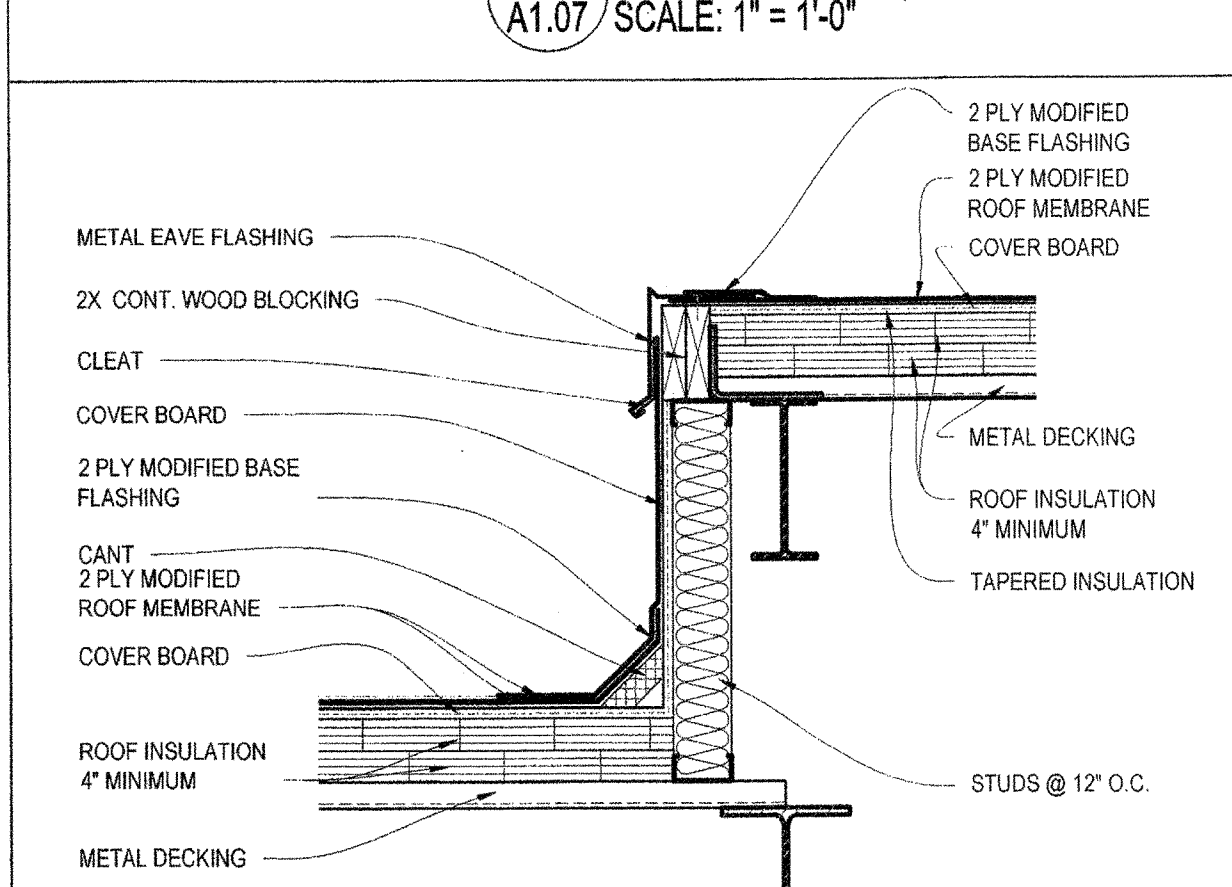
**9 THRU-WALL SCUPPER**  
A1.07 / SCALE: 1" = 1'-0"



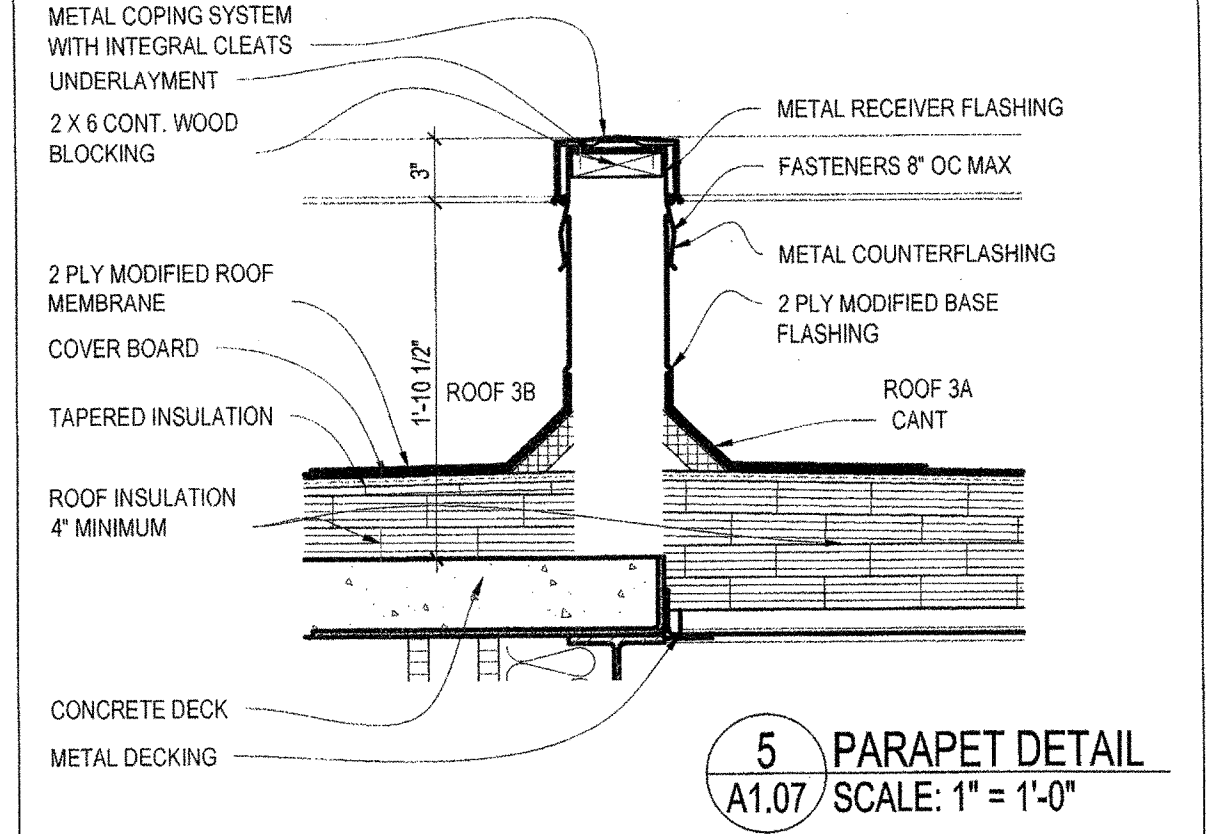
**8 THRU-WALL SCUPPER**  
A1.07 / SCALE: 1" = 1'-0"



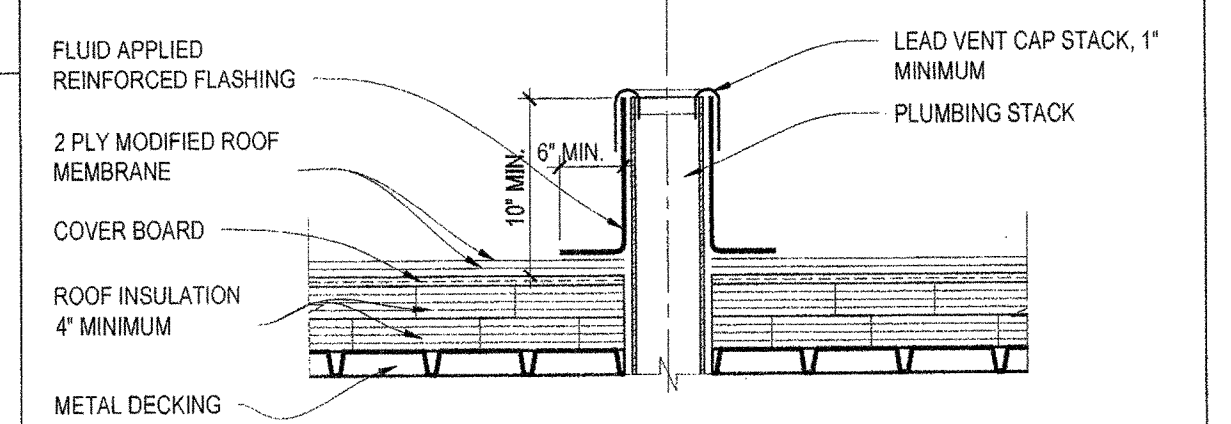
**7 ROOF DETAIL**  
A1.07 / SCALE: 1" = 1'-0"



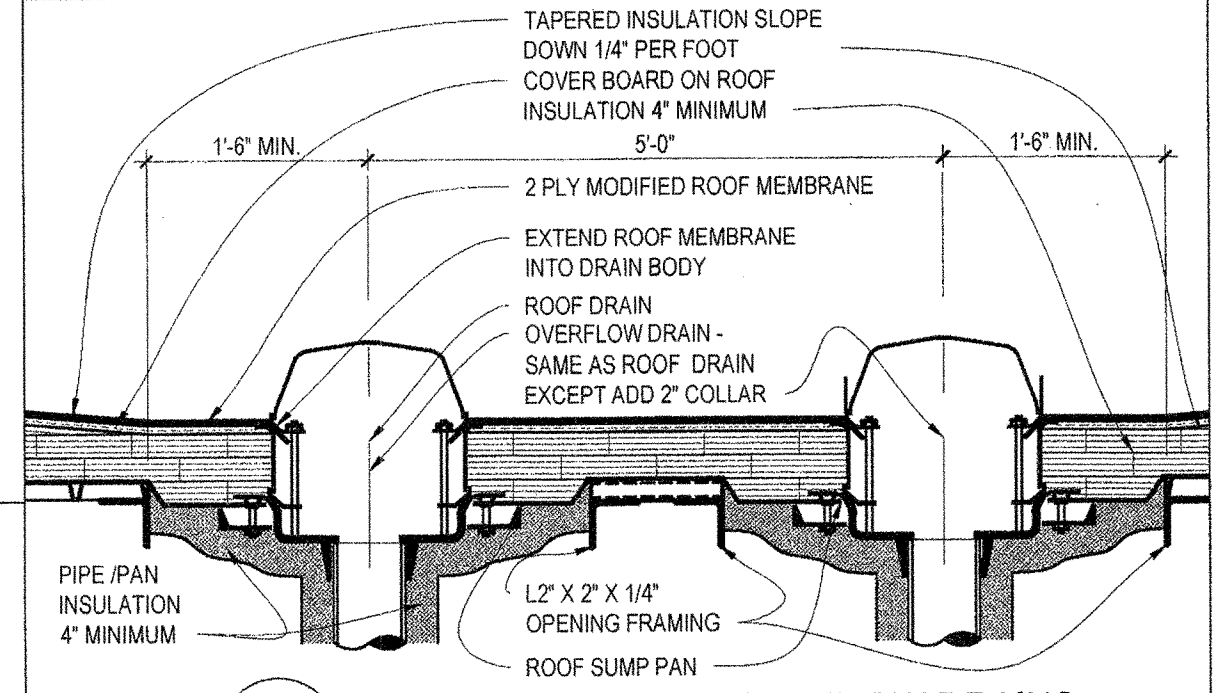
**6 ROOF DETAIL**  
A1.07 / SCALE: 1" = 1'-0"



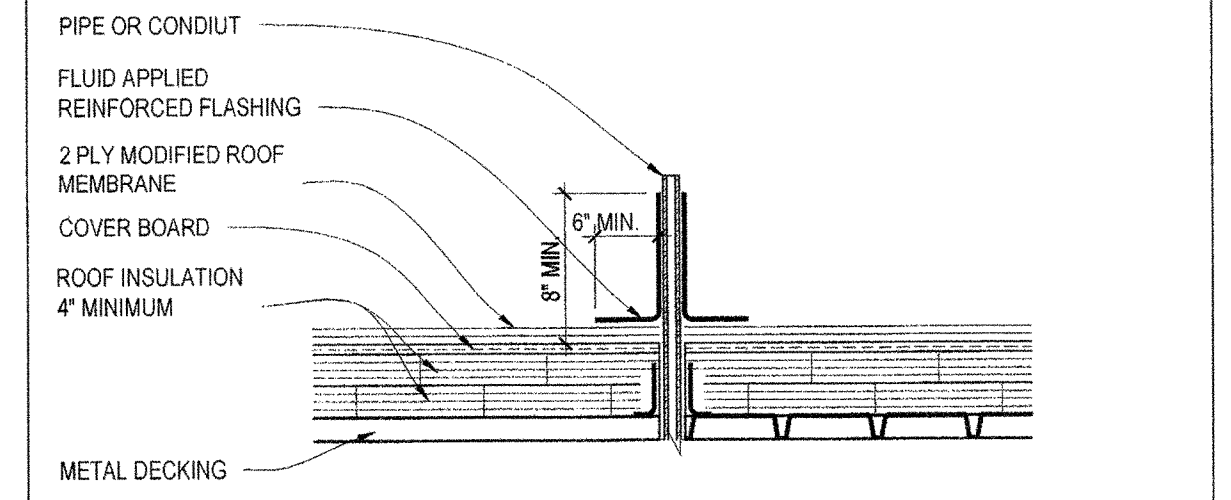
**5 PARAPET DETAIL**  
A1.07 / SCALE: 1" = 1'-0"



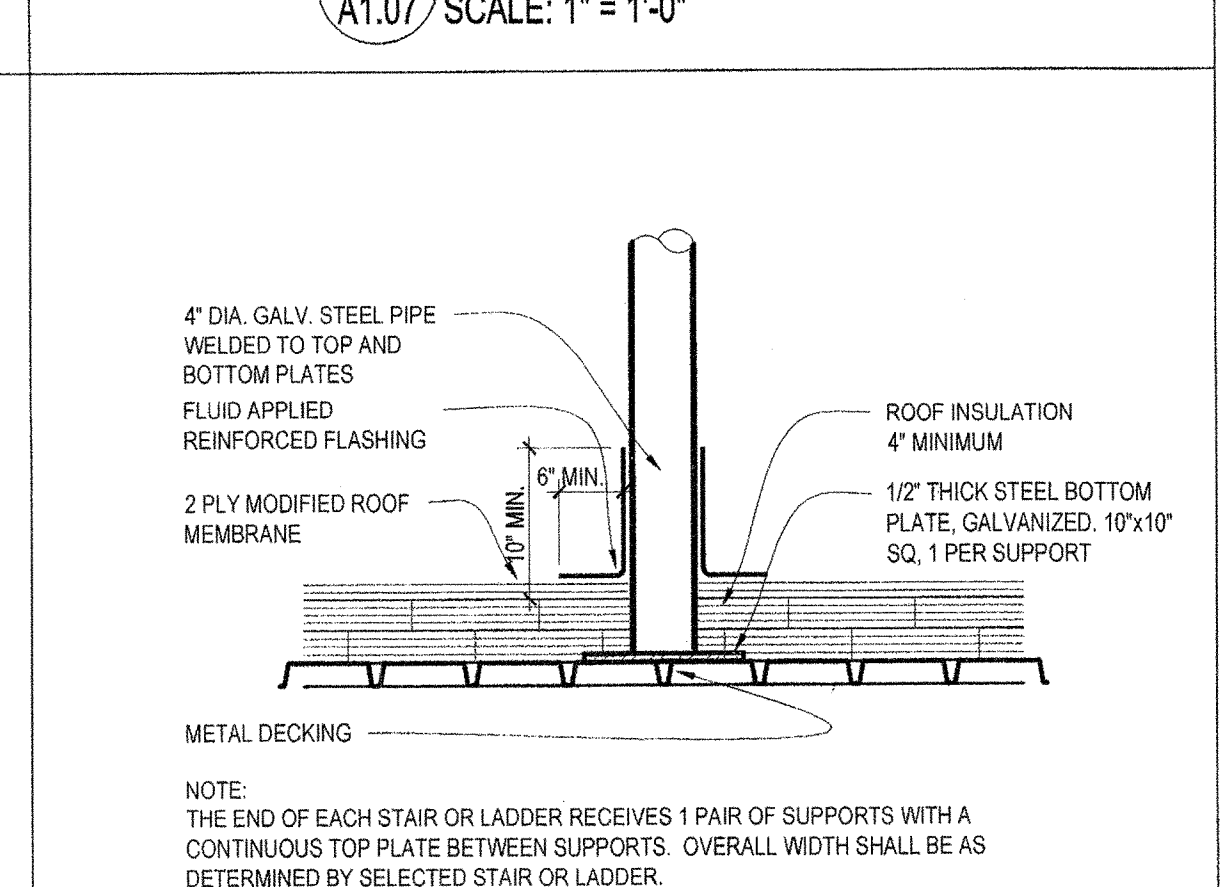
**4 ROOF DETAIL - TYP. PLUMBING STACK**  
A1.07 / SCALE: 1" = 1'-0"



**3 TYPICAL ROOF AND OVERFLOW DRAINS**  
A1.07 / SCALE: 1" = 1'-0"



**2 TYPICAL PIPE PENETRATION**  
A1.07 / SCALE: 1" = 1'-0"



**1 TYPICAL ROOF STRUT SUPPORT**  
A1.07 / SCALE: 1" = 1'-0"



**NEW 3 SECTION ELEMENTARY SCHOOL  
AT FISK-HOWARD SCHOOL  
RECOVERY SCHOOL DISTRICT**

211 S. LOPEZ STREET  
NEW ORLEANS, LOUISIANA 70119