

**NEW 3 SECTION ELEMENTARY SCHOOL  
AT FISK-HOWARD SCHOOL  
RECOVERY SCHOOL DISTRICT**

211 S. LOPEZ STREET NEW ORLEANS, LOUISIANA 70119

DATE ISSUED: 7 DECEMBER, 2012  
REVISED:  
REVISED:  
REVISED:  
REVISED:  
DRAWN BY: RPB, CMB, MSR  
CHECKED BY: DGR, JFM  
PHASE:

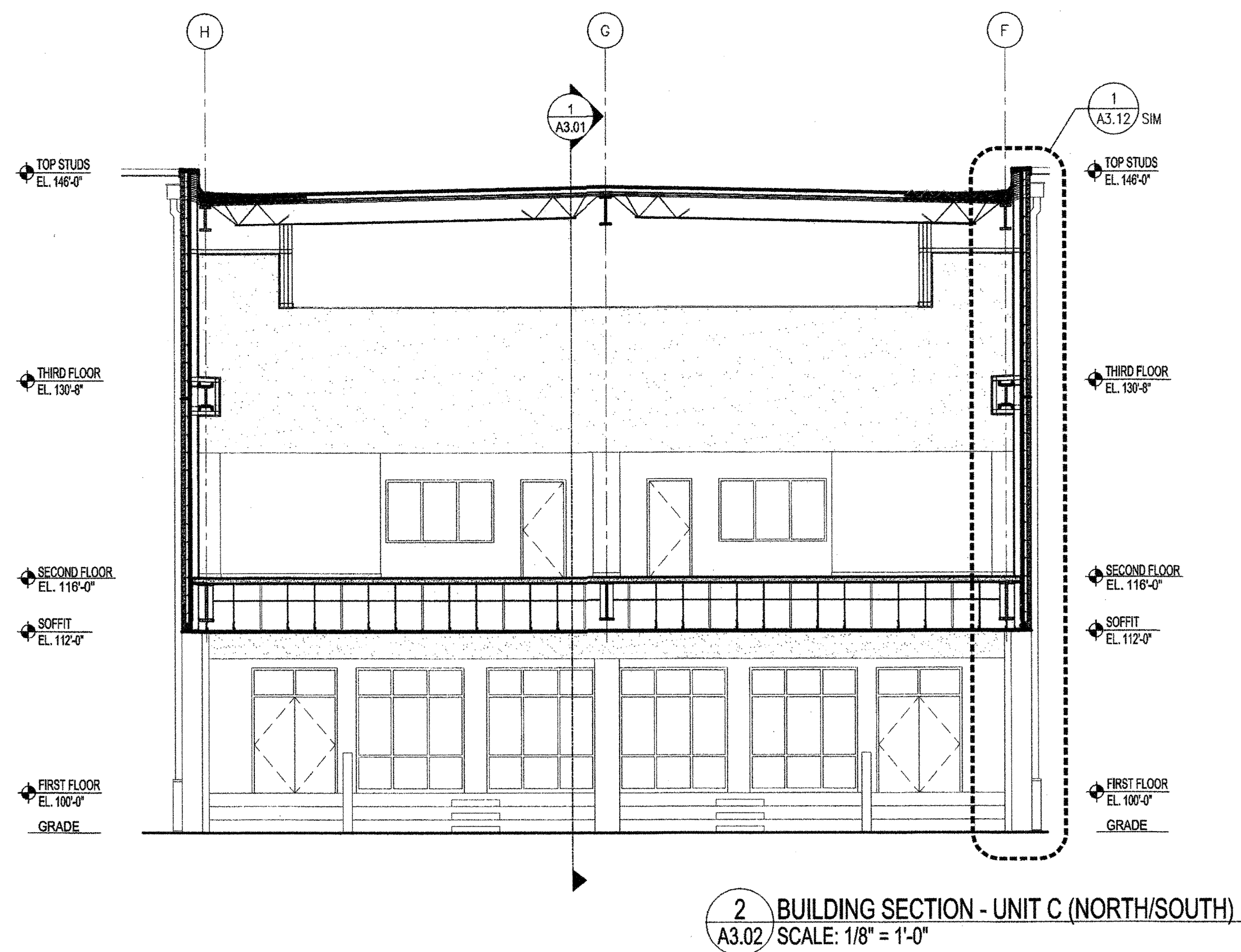
BID  
DOCUMENTS

11085

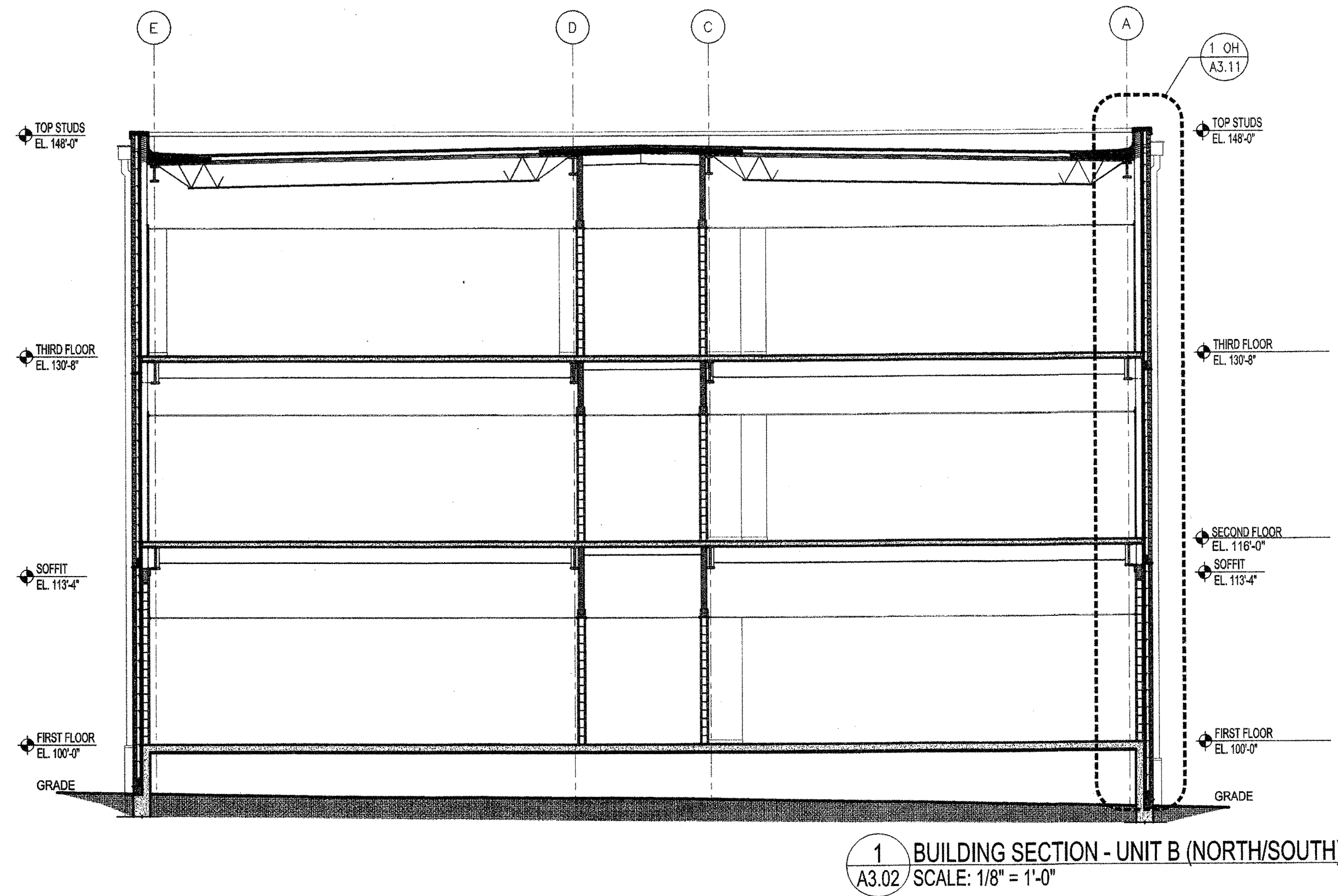
TITLE:  
BUILDING SECTIONS

SHEET:

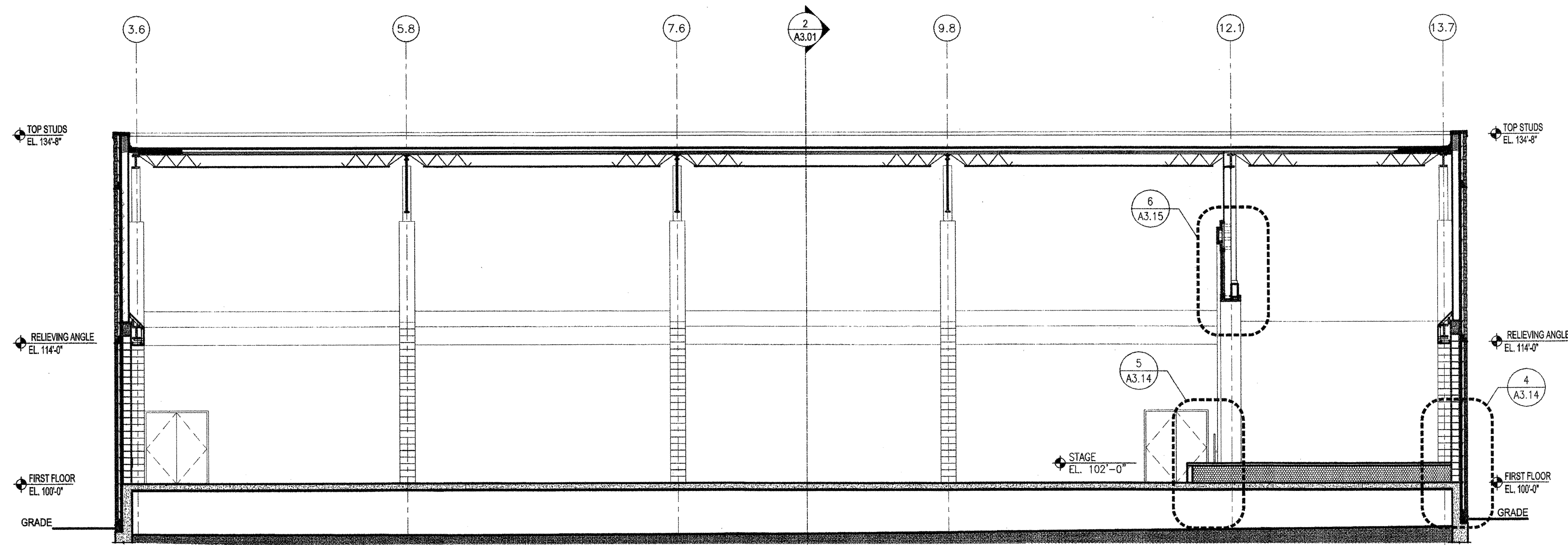
A3.02



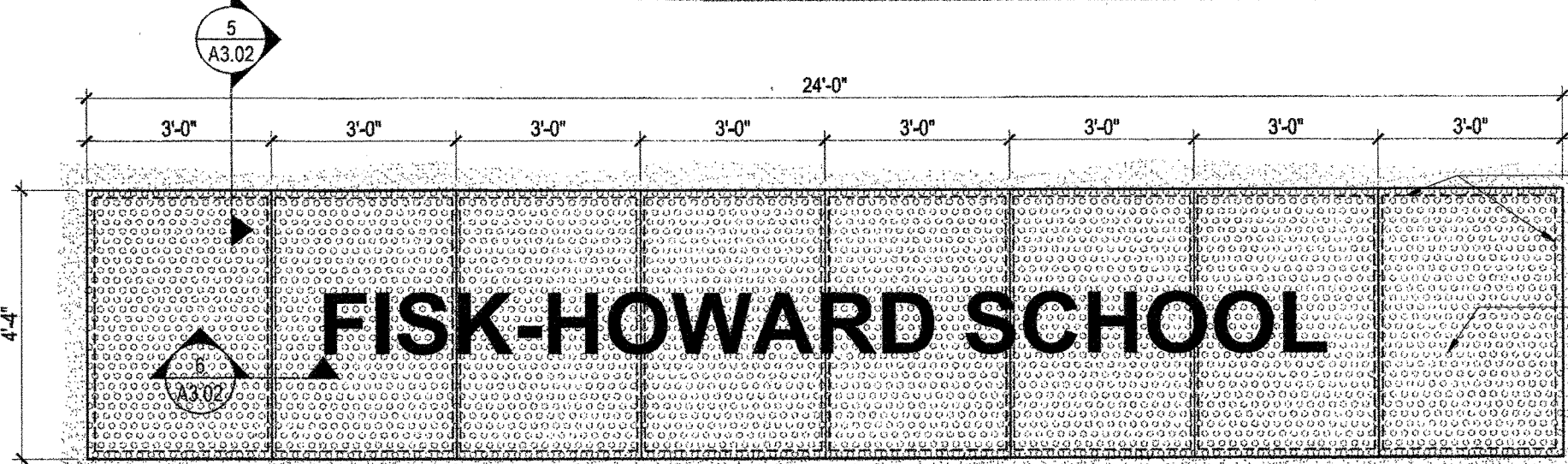
**2 BUILDING SECTION - UNIT C (NORTH/SOUTH)**  
A3.02 / SCALE: 1/8" = 1'-0"



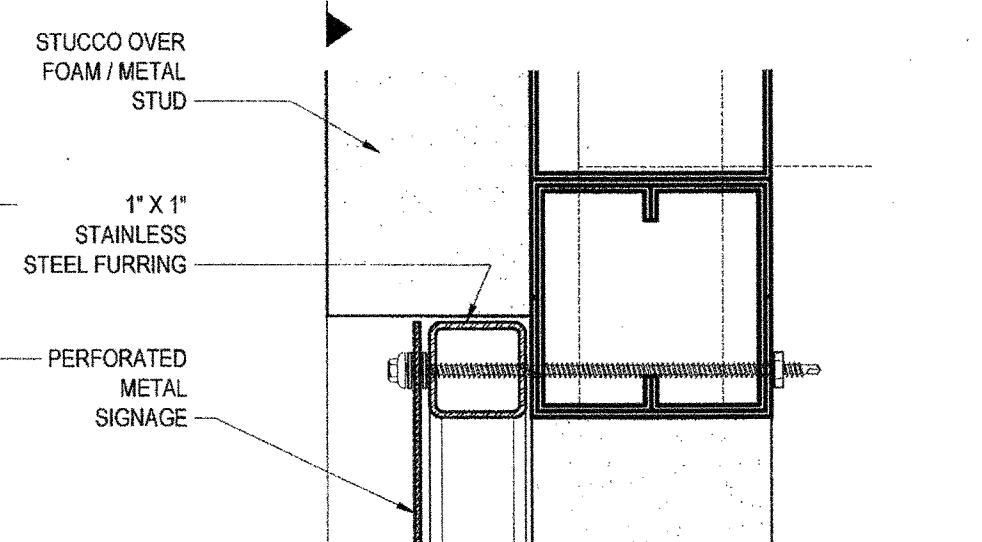
**1 BUILDING SECTION - UNIT B (NORTH/SOUTH)**  
A3.02 / SCALE: 1/8" = 1'-0"



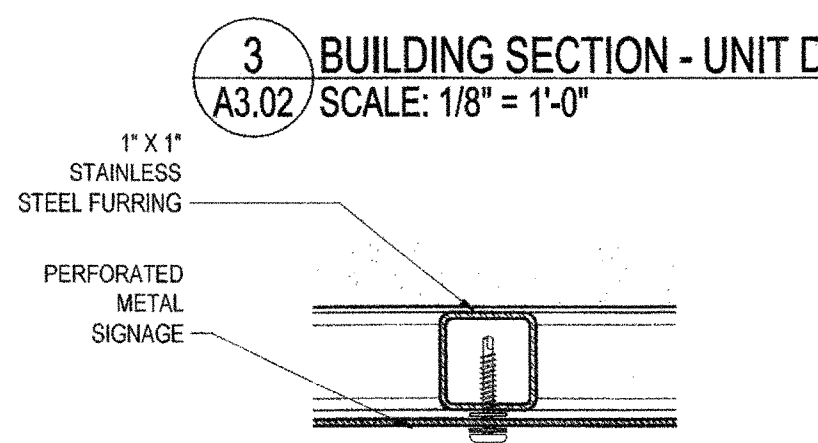
**3 BUILDING SECTION - UNIT D (EAST/WEST)**  
A3.02 / SCALE: 1/8" = 1'-0"



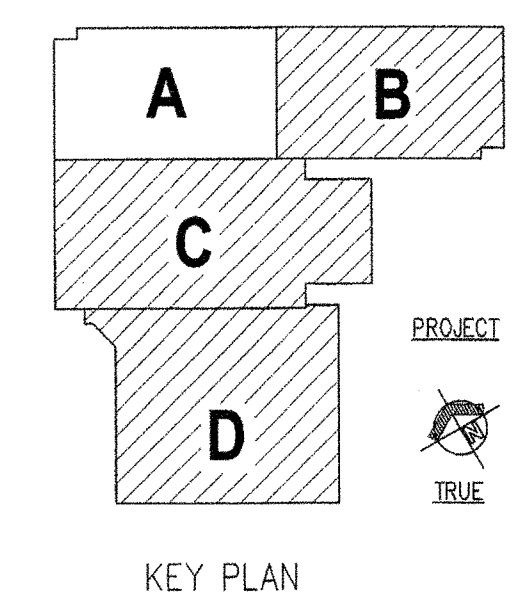
**4 ELEVATION - GYM SIGNAGE**  
A3.02 / SCALE: 3/8" = 1'-0"



**5 SECTION DETAIL - GYM SIGNAGE**  
A3.02 / SCALE: 6" = 1'-0"



**6 PLAN DETAIL - GYM SIGNAGE**  
A3.02 / SCALE: 6" = 1'-0"



KEY PLAN