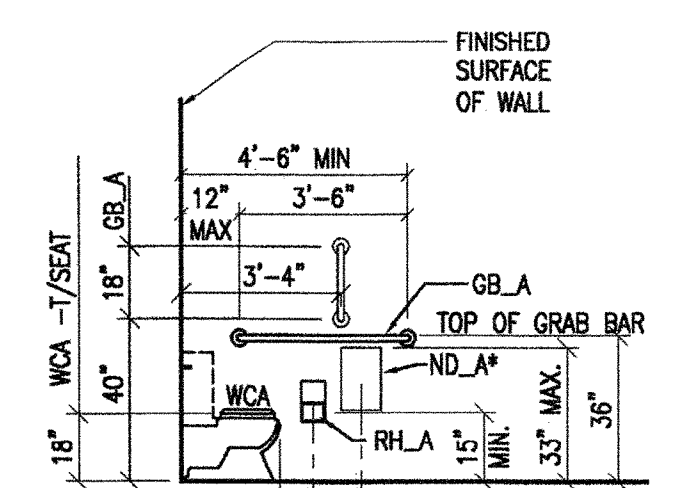
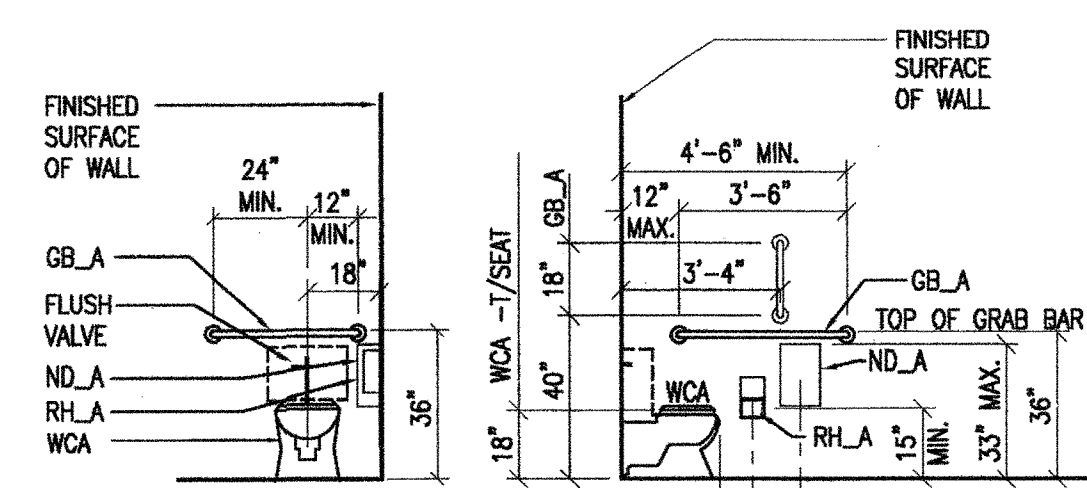


WATER CLOSETS AND ACCESSORIES



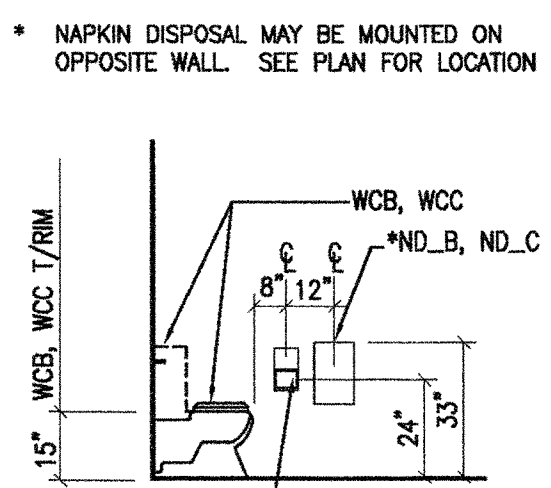
WCA - WATER CLOSET
GB_A - GRAB BAR
RH_A - TOILET ROLL HOLDER
ND_A - SANITARY NAPKIN DISPOSAL

AMBULATORY ADULT ADA WATER CLOSETS



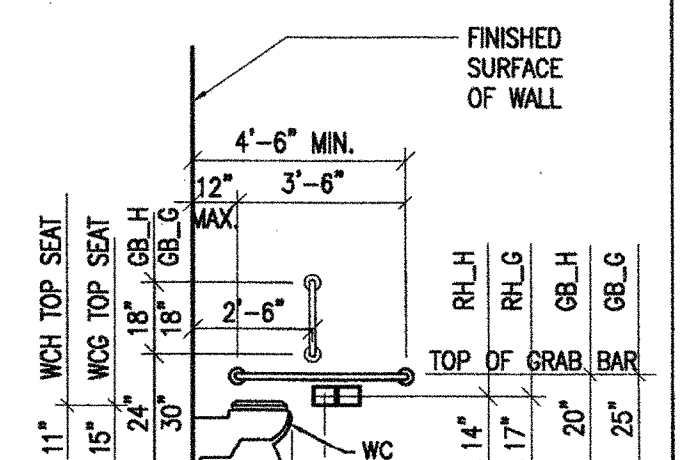
WCA - WATER CLOSET
GB_A - GRAB BAR
RH_A - TOILET ROLL HOLDER
ND_A - SANITARY NAPKIN DISPOSAL

WHEELCHAIR ADULT ADA WATER CLOSETS



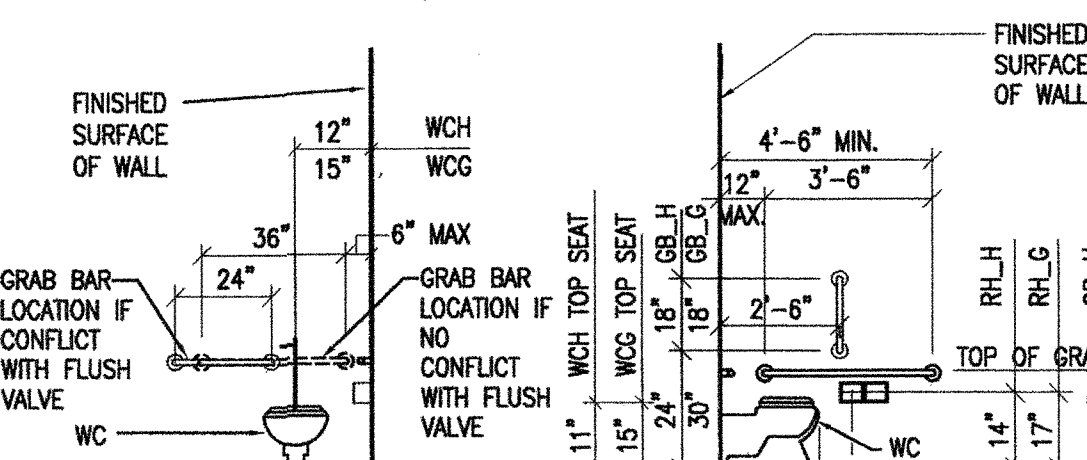
WC - WATER CLOSET
RH - TOILET ROLL HOLDER
ND - SANITARY NAPKIN DISPOSAL

STANDARD WATER CLOSETS GRADES 7 AND ABOVE



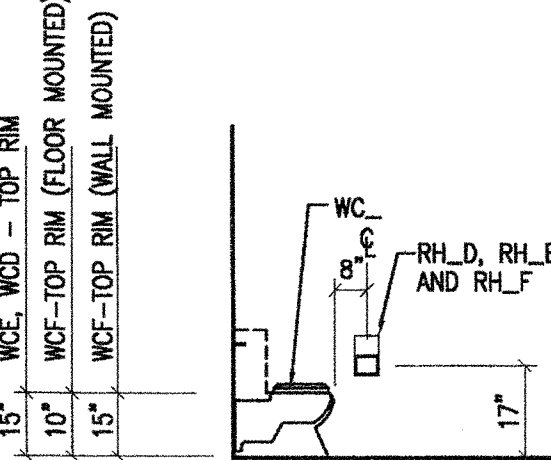
WC - WATER CLOSET
GB - GRAB BAR
RH - TOILET ROLL HOLDER

AMBULATORY CHILDREN'S ADA WATER CLOSETS



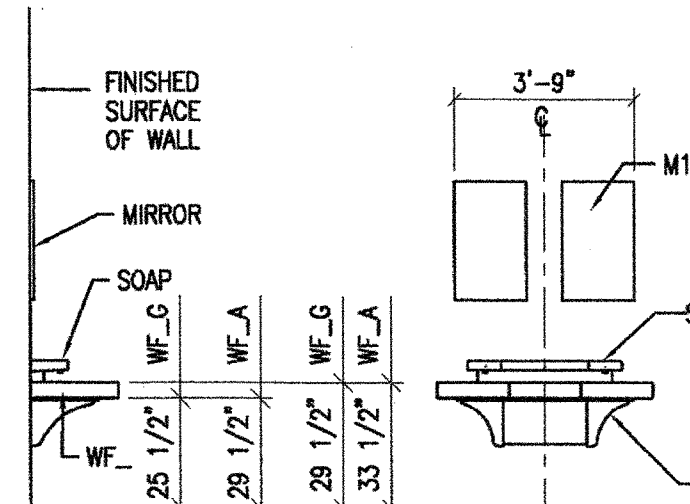
WC - WATER CLOSET
GB - GRAB BAR
RH - TOILET ROLL HOLDER

WHEELCHAIR CHILDREN'S ADA WATER CLOSETS

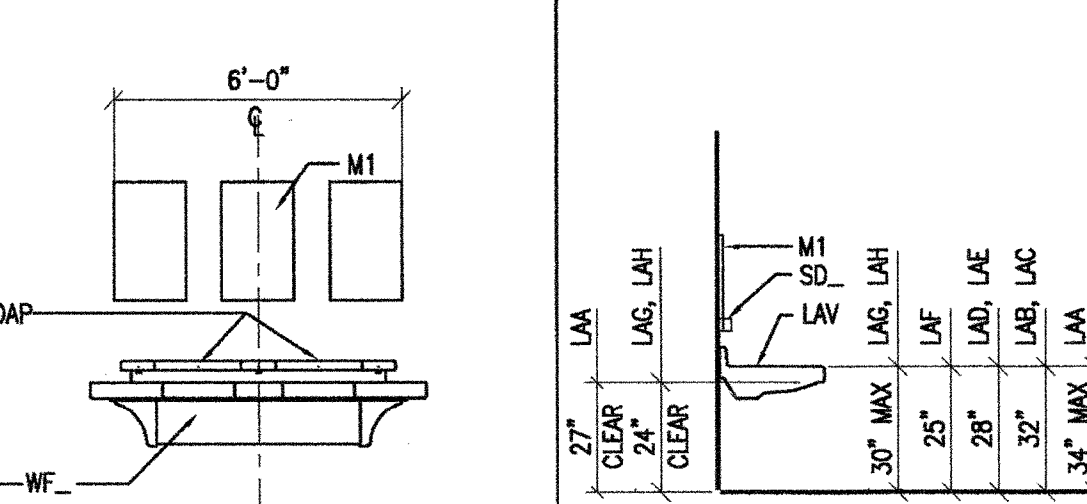


WC - WATER CLOSET
RH - TOILET ROLL HOLDER

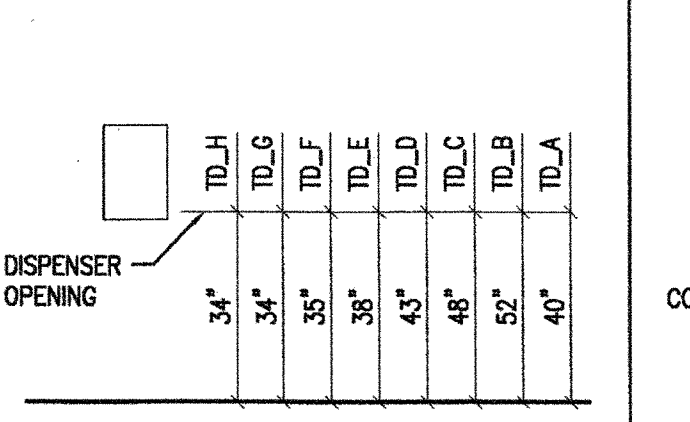
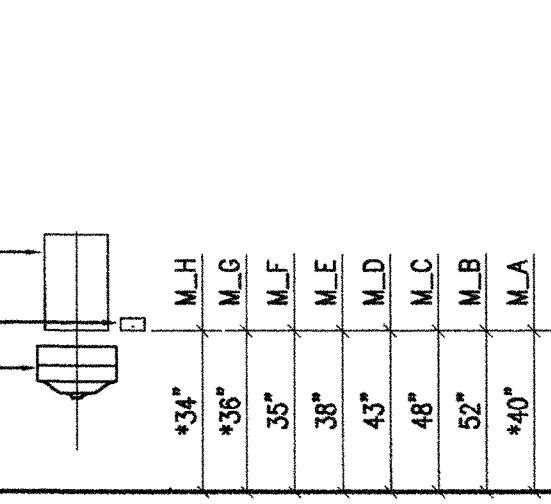
STANDARD WATER CLOSETS GRADES 6 AND BELOW



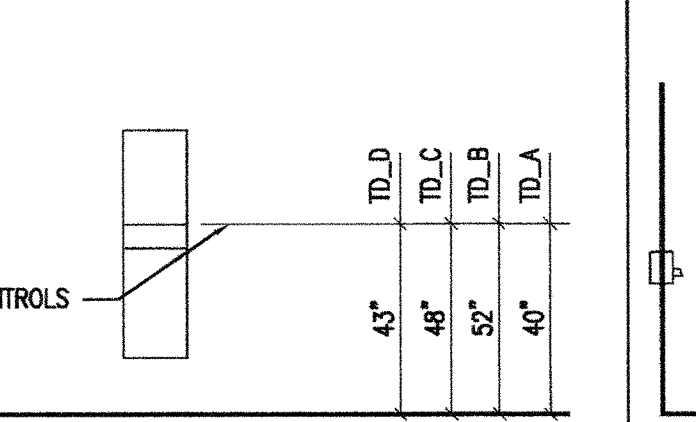
WF - WASHFOUNTAIN



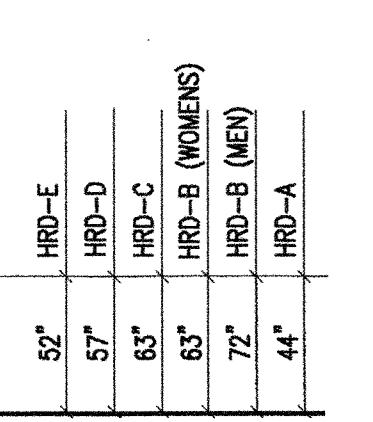
LA - LAVATORY, M - MIRROR, SD - SOAP DISPENSER



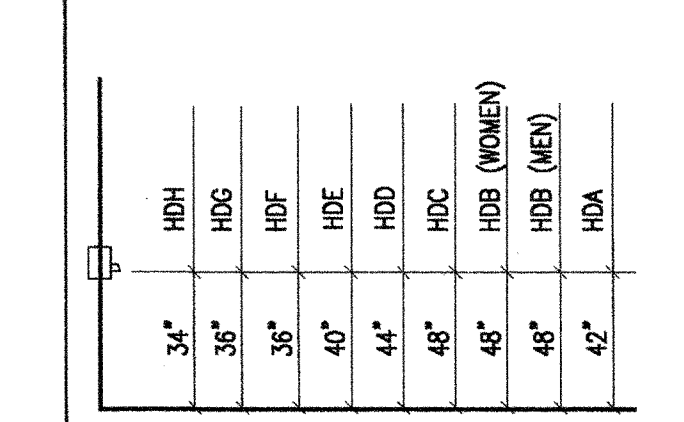
TD - PAPER TOWEL DISPENSER



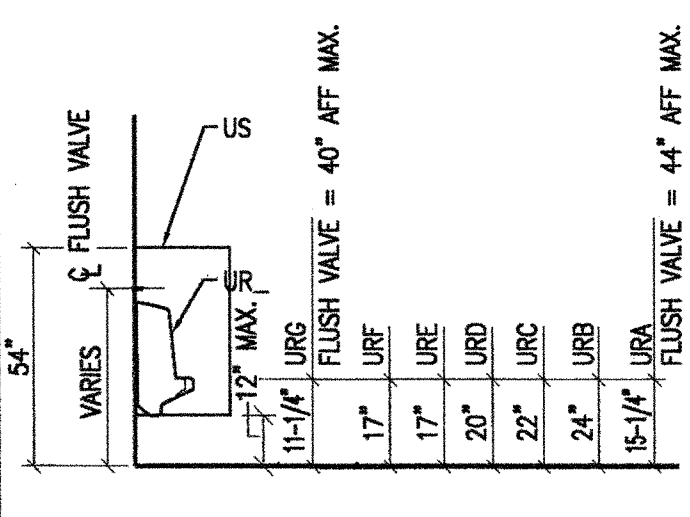
TDD - PAPER TOWEL DISPENSER/DISPOSAL



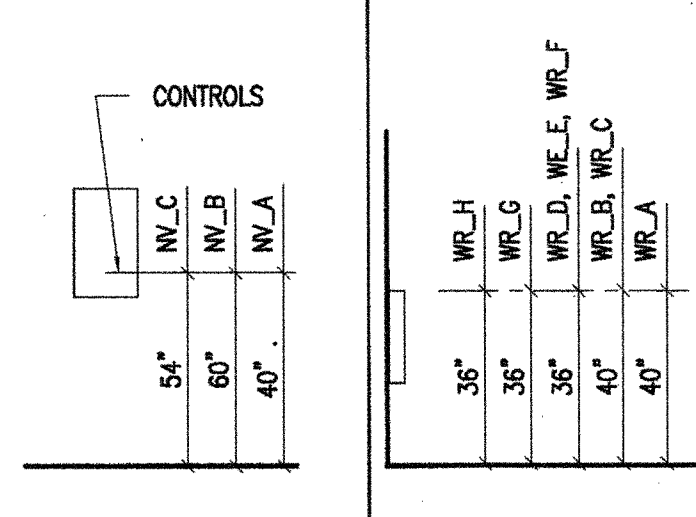
HRD - HAIR DRYER



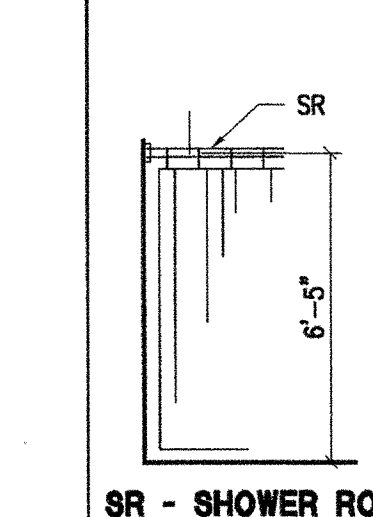
HD - HAND DRYER



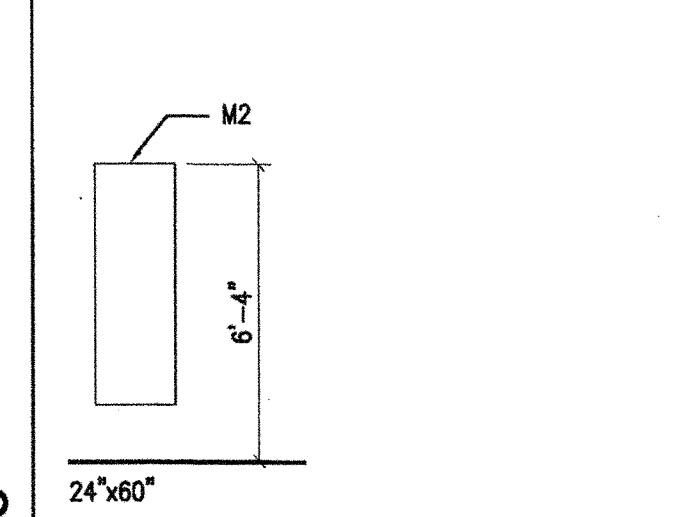
UR - URINAL, US - URINAL SCREEN



NV - NAPKIN VENDOR, WR - WASTE RECEPTACLE

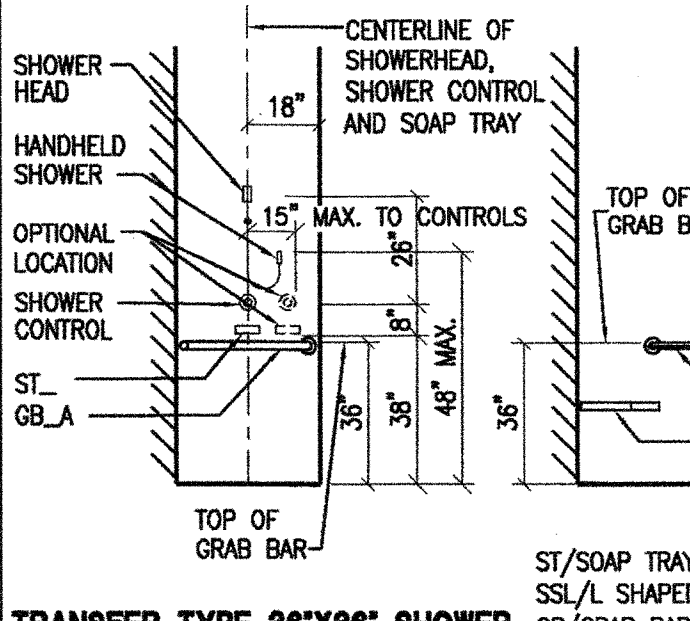


SR - SHOWER ROD W/CURTAIN

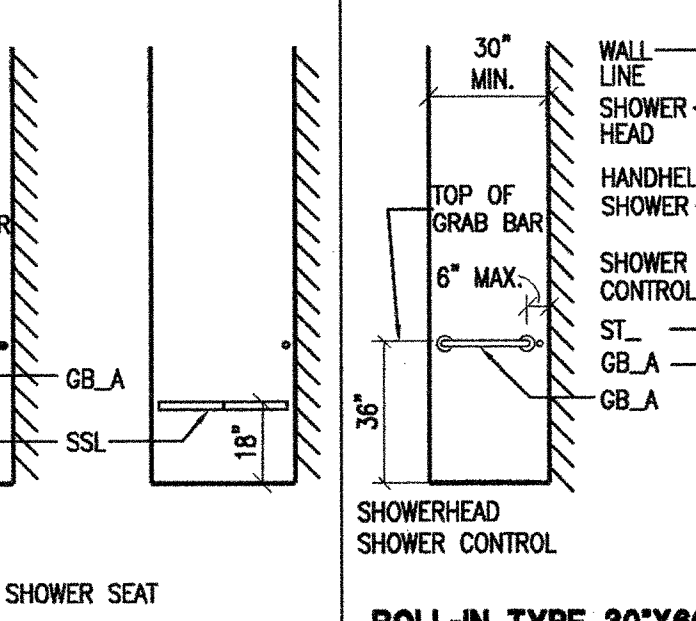


M - MIRROR

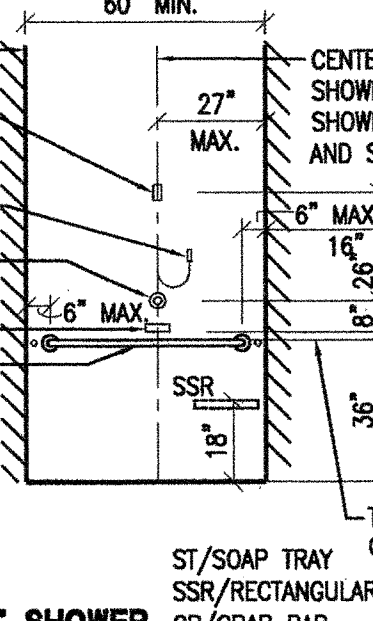
SHOWERS



TRANSFER TYPE 36x36 SHOWER

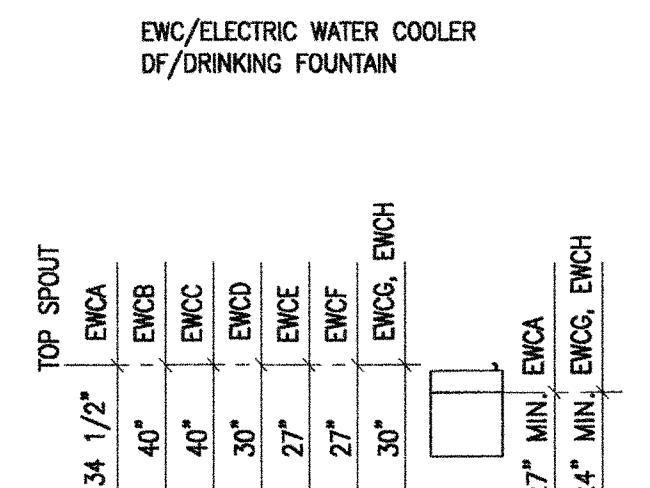


ROLL-IN TYPE 30x60 SHOWER

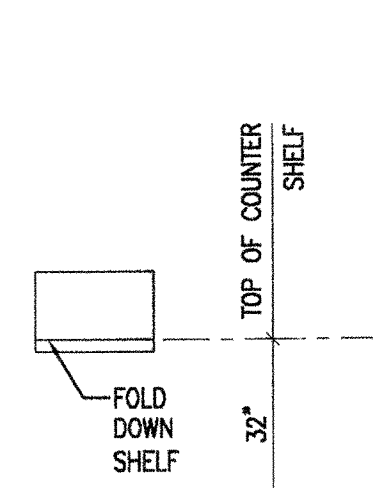


EMERGENCY EYEWASH AND SHOWER

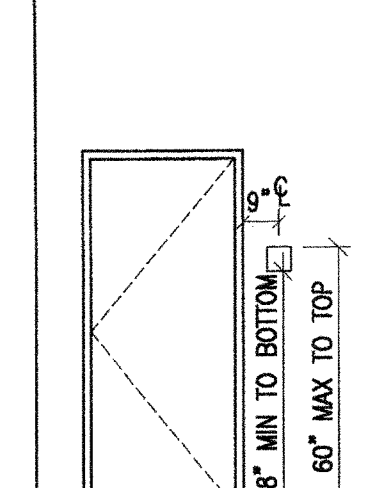
OTHER MISC. EQUIPMENT



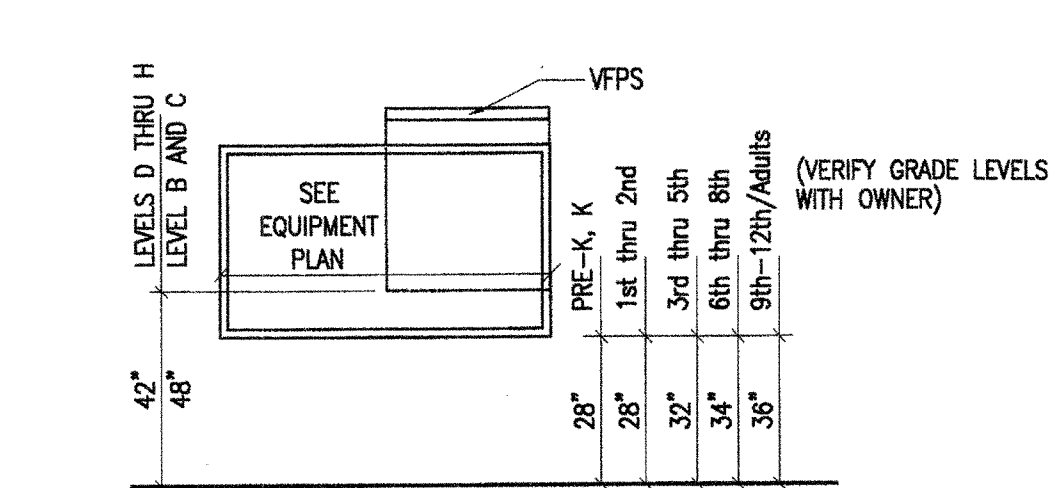
ELECTRIC WATER COOLERS DRINKING FOUNTAINS



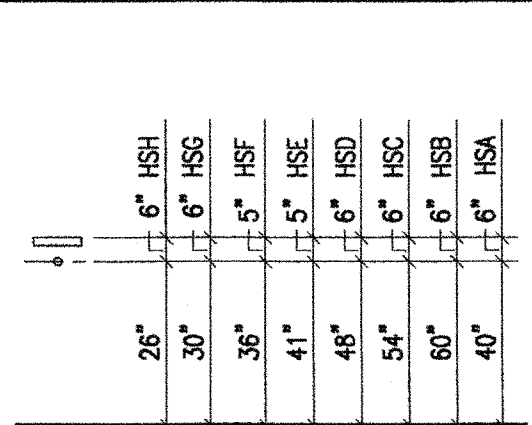
DCS - DIAPER CHANGING STATION



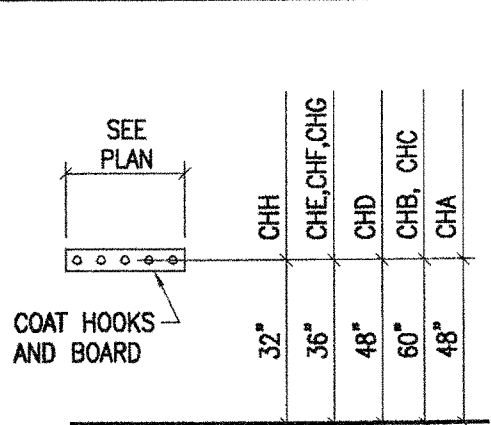
INTERIOR SIGN



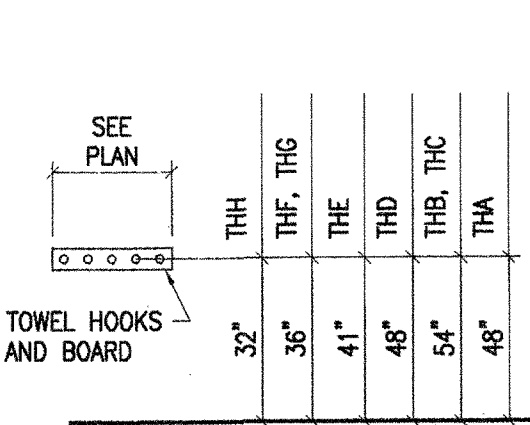
DISPLAY BOARDS/PROJECTION SCREENS



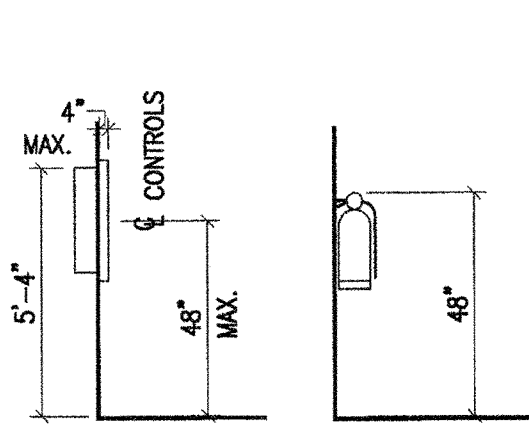
HS - HAT SHELF AND HANGER ROD



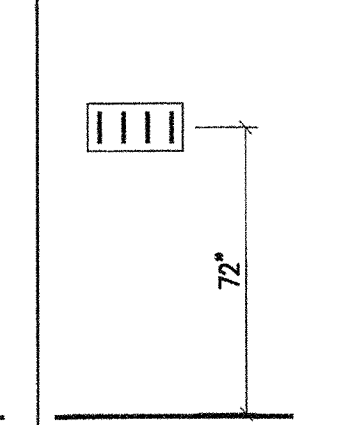
CH - COAT HOOKS AND BOARD



TH - TOWEL HOOKS AND BOARD



FIRE EXTINGUISHERS



MH - MOP HOLDER

MOUNTING HEIGHT NOTES:

- MOUNTING HEIGHTS SCHEDULE IS A MASTER. THEREFORE, ALL ITEMS/NOTES MAY NOT BE REQUIRED OR REFERENCED. REFER TO ENLARGED PLANS AND EQUIPMENT PLANS FOR ITEMS/NOTES TO BE INCORPORATED.
- MOUNTING HEIGHTS ARE BASED UPON THE FOLLOWING: TOILET, BATH AND LAUNDRY EQUIPMENT (ACCESSORIES), BOBBICK WASHROOM EQUIPMENT, INC.; LAVATORIES, URINALS AND WATER CLOSETS, AMERICAN STANDARD, INC. CONTRACTOR SHALL BE RESPONSIBLE FOR COORDINATING THE MOUNTING HEIGHTS OF TOILET ACCESSORIES SUPPLIED BY OTHER MANUFACTURERS.
- MOUNTING HEIGHT DRAWING INDICATES A TWO PIECE GRAB BAR. GRAB BAR MAY BE A ONE PIECE OR A TWO PIECE GRAB BAR. REFER TO SPECIFICATIONS FOR SPECIFIC TYPE OF GRAB BAR TO BE USED.
- UNDERSCORE (_): REFER TO ENLARGED PLANS FOR MISSING NUMBER IDENTIFYING THE SPECIFIC TYPE OF TOILET ACCESSORY

SAMPLE TOILET ACCESSORY LABELING

RH1A
RH INDICATES TOILET ACCESSORY NAME (RH = TOILET ROLL HOLDER)
1 INDICATES TOILET ACCESSORY TYPE WHEN MORE THAN ONE TYPE IS SPECIFIED (IF NO NUMBER IS USED, ONLY ONE TYPE IS SPECIFIED)
A INDICATES THE GRADE LEVEL, WHICH DETERMINES THE MOUNTING HEIGHT
WCA INDICATES PLUMBING FIXTURE AT MOUNTING HEIGHT "A". REFER TO PLUMBING DRAWINGS FOR PLUMBING FIXTURE SCHEDULE.

GRADE LEVEL LEGEND

- A ADULT ACCESSIBLE (ADA) HEIGHTS (GRADES 7 AND ABOVE)
- B GRADES 9 AND ABOVE (ADULTS)
- C GRADES 7-8
- D GRADES 4-6
- E GRADES 1-3
- F PRESCHOOL-KINDERGARTEN
- G CHILDREN'S ACCESSIBLE (ADA) HEIGHTS (K-6)
- H CHILDREN'S ACCESSIBLE (ADA) HEIGHTS (PRESCHOOL)

1 MOUNTING HIEGHT SCHEDULE
A4.00 SCALE: NOT TO SCALE

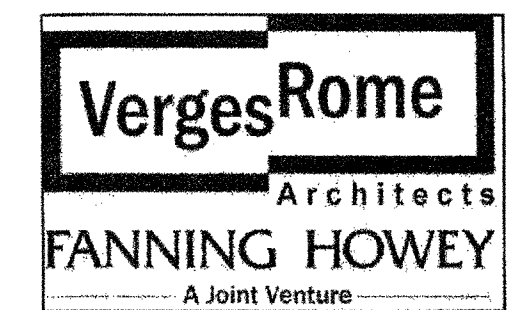
ENLARGED PLAN GENERAL NOTES:

- DEPTH OF ALL TOILET PARTITIONS SHALL HAVE A MINIMUM OF 5'-0" CLEAR INSIDE DIMENSION (U.N.O.).
- SEE EQUIPMENT PLANS FOR TOILET ACCESSORIES IN ROOMS NOT ENLARGED ON THIS SHEET.
- IN HANDICAP TOILET STALLS, THE FLUSH VALVES SHALL ALWAYS BE LOCATED ON THE CLEAR FLOOR SPACE SIDE OF THE STALL PER ADA.
- COORDINATE HEIGHT OF GRAB BAR WITH TANK OF FLOOR MOUNTED WATER CLOSET OR FLUSH VALVE OF WALL MOUNTED CLOSET.
- REFER TO DRAWING SHEET A4.00 FOR MOUNTING HEIGHTS.
- REFER TO PLUMBING DRAWINGS FOR FIXTURE TYPES.
- REFER TO SPECIFICATIONS FOR OWNER FURNISHED ACCESSORIES AND CONTRACTOR INSTALLED.

TOILET ACCESSORIES ABBREVIATIONS

CH:	COAT HOOK
DCS:	DIAPER CHANGING STATION
DF:	DRINKING FOUNTAIN
EWC:	ELECTRIC WATER COOLER
FD:	FLOOR DRAIN
GB1:	GRAB BAR - 42"
GB2:	GRAB BAR - 36"
GB3:	GRAB BAR - 18" VERTICAL
GB4:	GRAB BAR - 30"
GB5:	GRAB BAR - 48"
GB6:	GRAB BAR - 18" HORIZONTAL
HD:	HAND DRYER
HRD:	HAIR DRYER
LA:	LAVATORY
M1:	MIRROR - 18"Wx36"H
M2:	MIRROR - 24"Wx60"H
M3:	MIRROR - 48"Wx36"H
MH:	MOP HOLDER
ND:	NAPKIN DISPOSAL
NV:	NAPKIN VENDOR
PSS:	PENCIL SHARPENER SUPPORT
RH:	ROLL HOLDER (TOILET PAPER DISPENSER)
SD:	SOAP DISPENSER
SR:	SHOWER ROD
SS:	SHOWER SEAT
TD:	PAPER TOWEL DISPENSER
TDD:	PAPER TOWEL DISPENSER/DISPOSAL
TH:	TOWEL HOOK
UR:	URINAL
US:	URINAL SCREEN
WC:	WATER CLOSET
WF:	WASH FOUNTAIN

NOTE: THE LETTERS (A THRU H) FOLLOWING THE ABBREVIATIONS REFERENCES THE GRADE LEVEL MOUNTING HEIGHTS (A4.00)



320 N. Carrollton Avenue, Suite 100
New Orleans, Louisiana 70119
t. 504.488.7739 f. 504.488.7743

© copyright 2012



NEW 3 SECTION ELEMENTARY SCHOOL
AT FISK-HOWARD SCHOOL
RECOVERY SCHOOL DISTRICT

211 S. LOPEZ STREET NEW ORLEANS, LOUISIANA 70119

DATE ISSUED: 7 DECEMBER, 2012
REVISED:
REVISED:
REVISED:
REVISED:
DRAWN BY: MKS
CHECKED BY:
PHASE:

BID DOCUMENTS

11085

TITLE:
MOUNTING HEIGHTS

SHEET:

A4.00