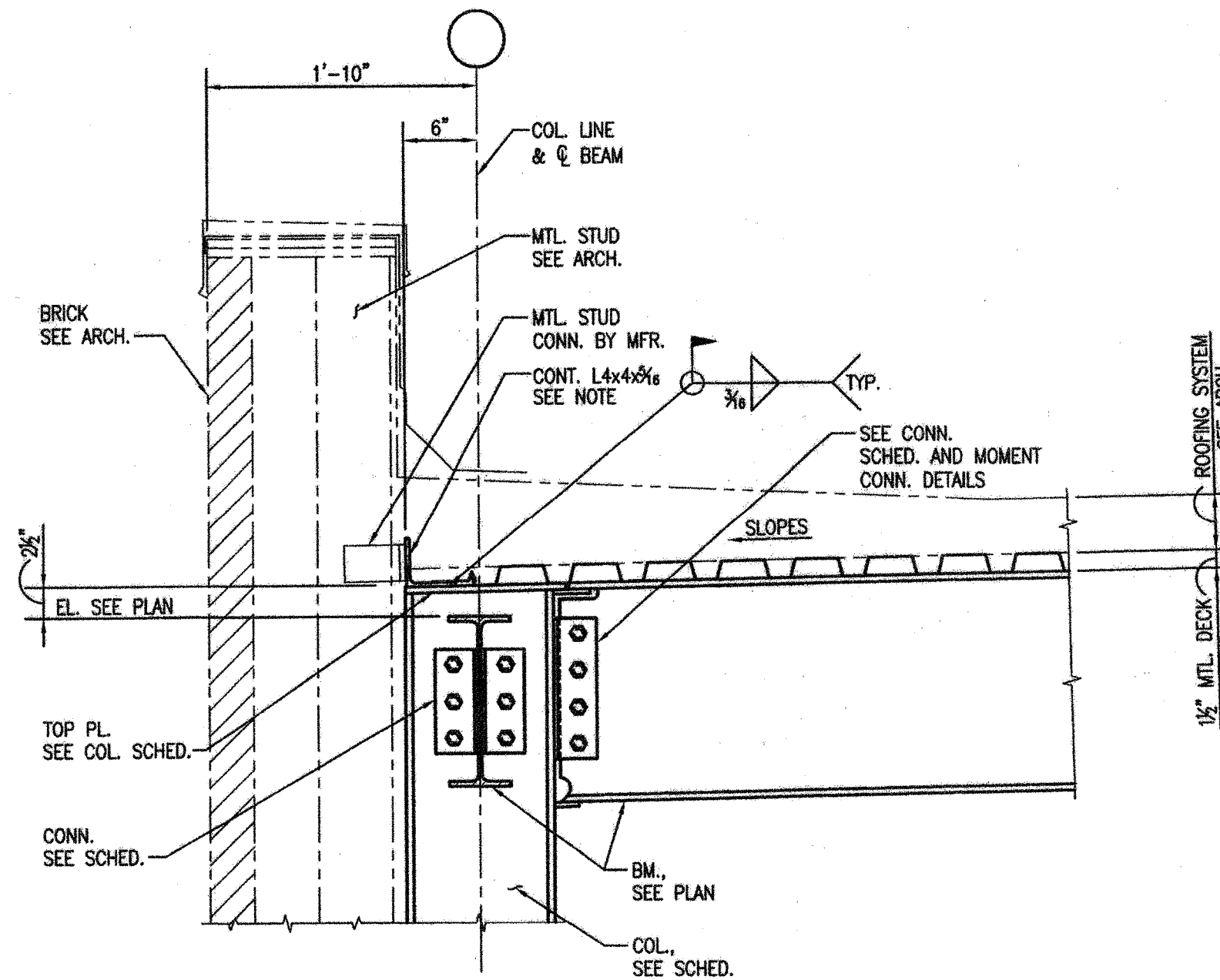


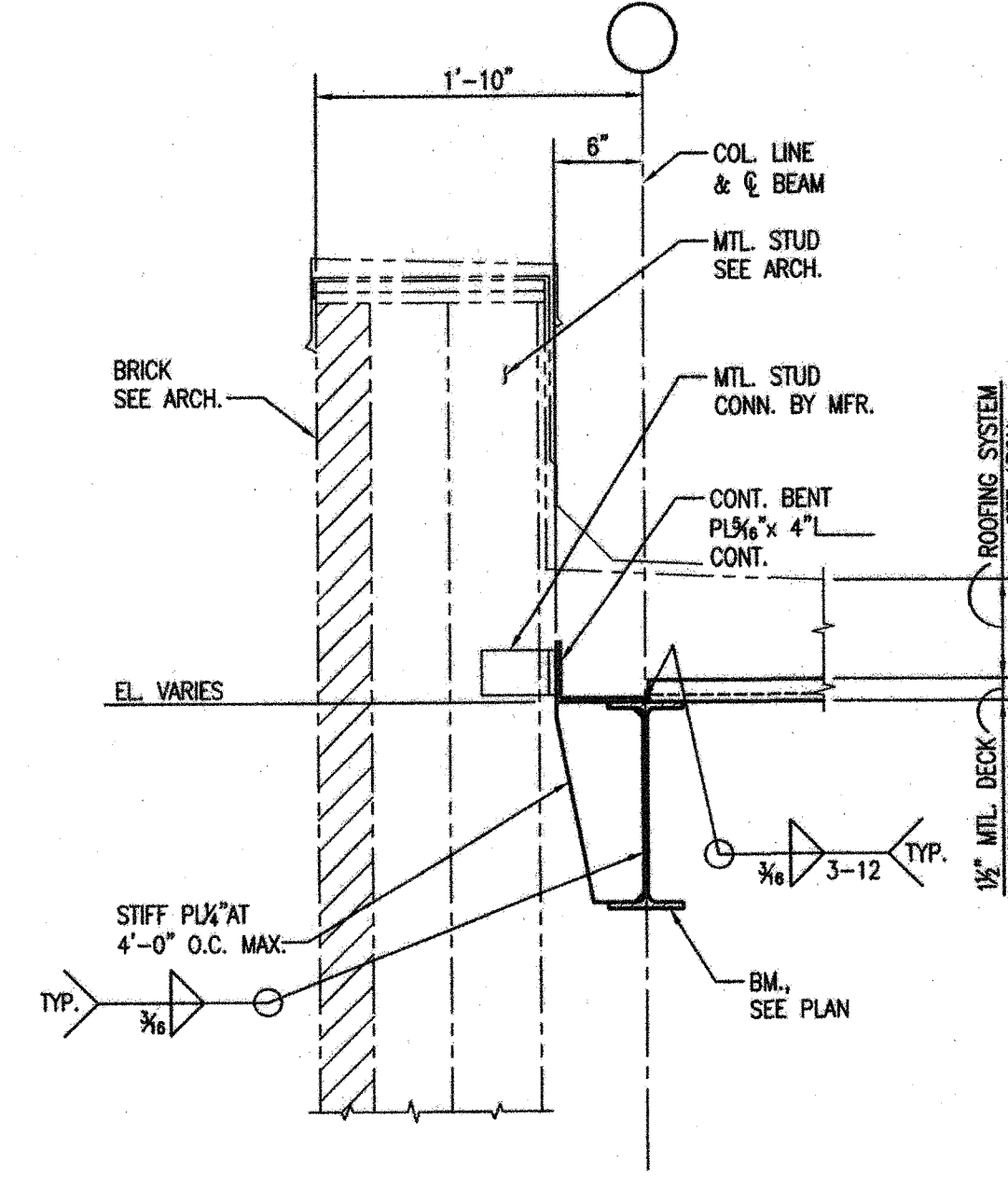
NOTE:
SEE 12/S4.01 FOR CHORD SPLICE DETAIL.

1 SECTION
S3.11 1"=1'-0"

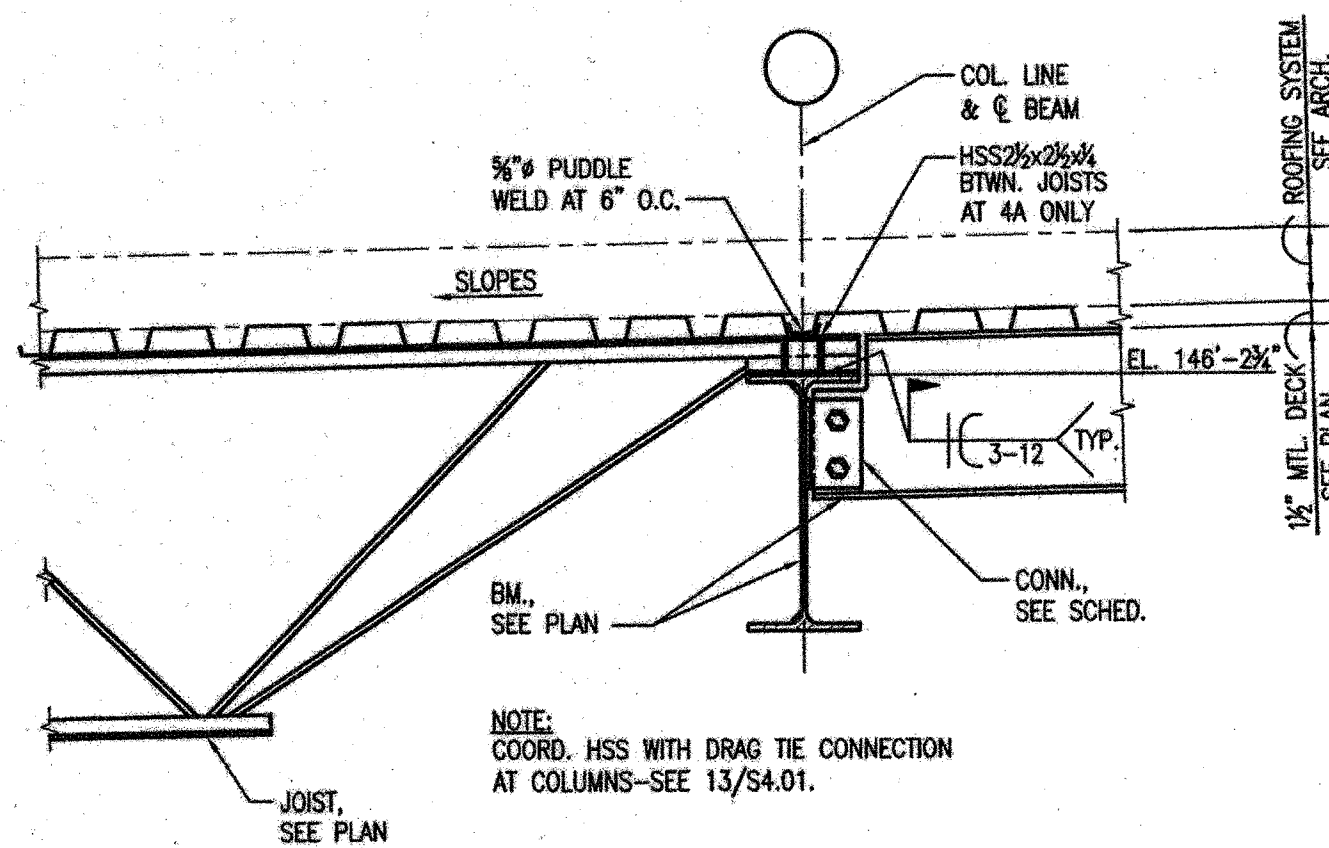


NOTE:
SEE 12/S4.01 FOR CHORD SPLICE DETAIL.

2 SECTION
S3.11 1"=1'-0"

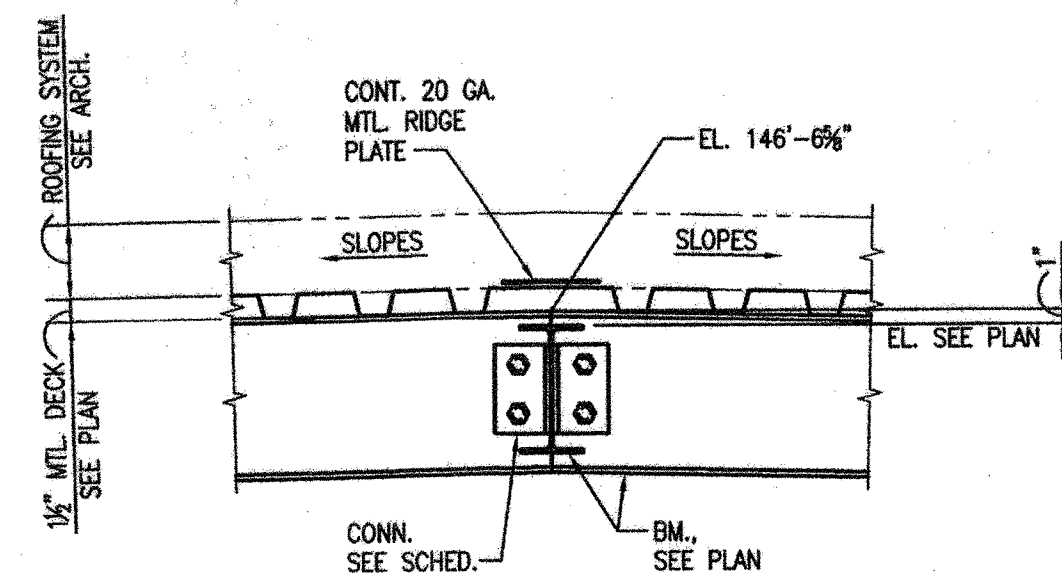


3 SECTION
S3.11 1"=1'-0"

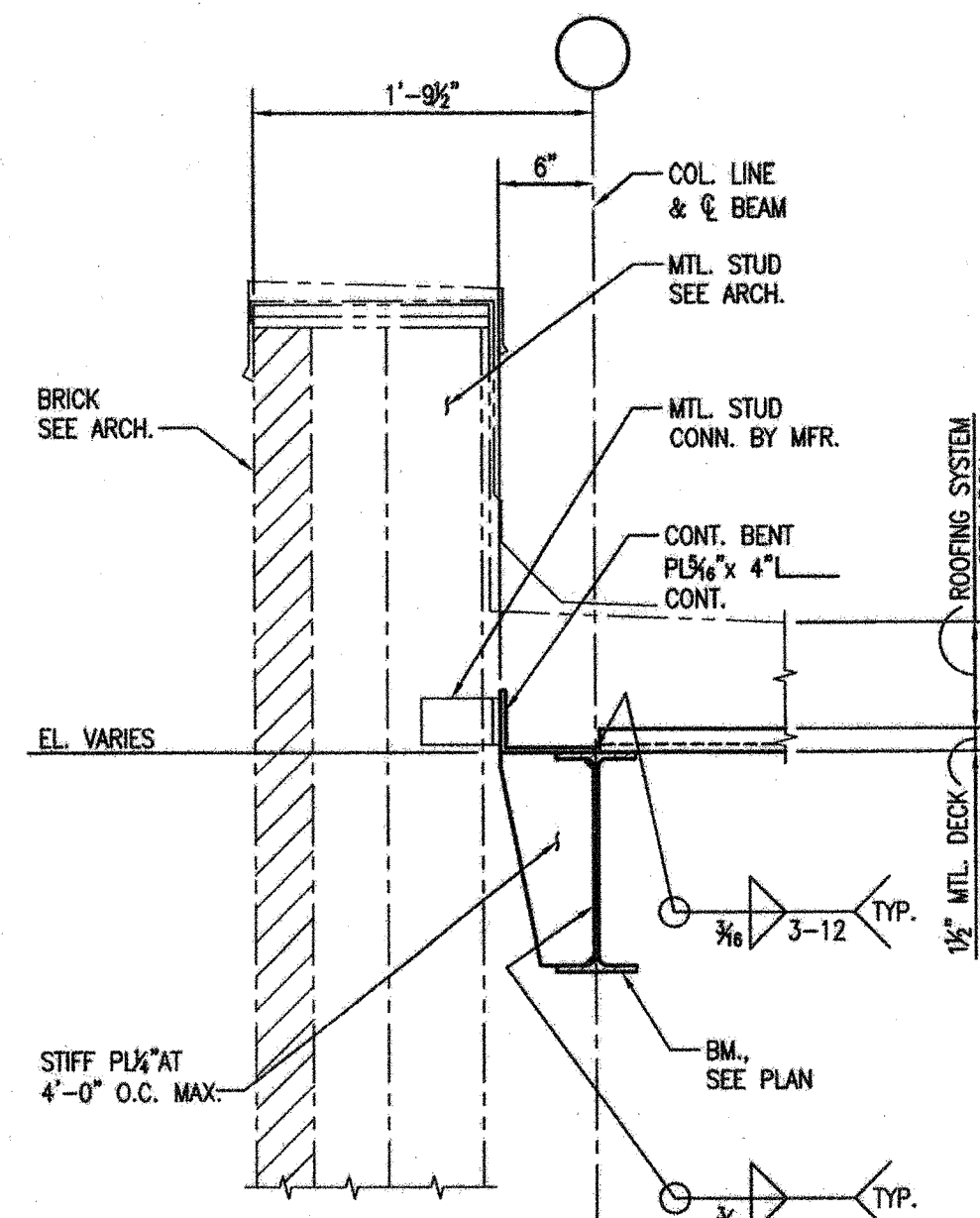


NOTE:
COORD. HSS WITH DRAG TIE CONNECTION
AT COLUMNS-SEE 13/S4.01.

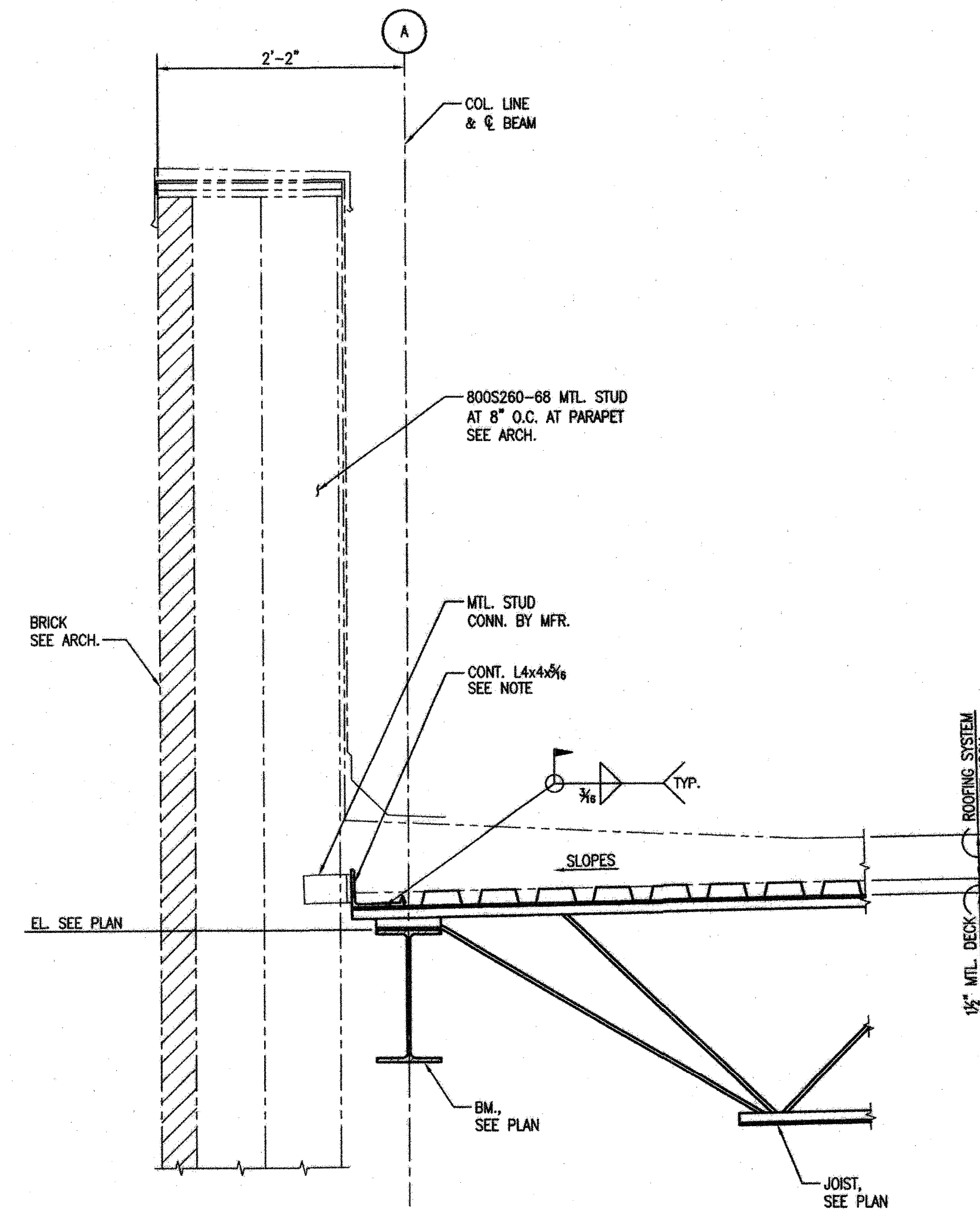
4A 4B SECTION
S4.01 S3.11 1"=1'-0"



5 SECTION
S3.11 1"=1'-0"



6 SECTION
S3.11 1"=1'-0"



NOTE:
SEE 12/S4.01 FOR CHORD SPLICE DETAIL.

7 SECTION
S3.11 1"=1'-0"

**NEW 3 SECTION ELEMENTARY SCHOOL
AT FISK-HOWARD SCHOOL
RECOVERY SCHOOL DISTRICT**

211 S. LOPEZ STREET NEW ORLEANS, LOUISIANA 70119

DATE ISSUED:	7 DECEMBER, 2012
REVISED:	
REVISED:	
REVISED:	
REVISED:	
DRAWN BY:	WFD
CHECKED BY:	JAS
PHASE:	

BID DOCUMENTS

11085

TITLE:
**SECTIONS
AND DETAILS**

SHEET:

S3.11