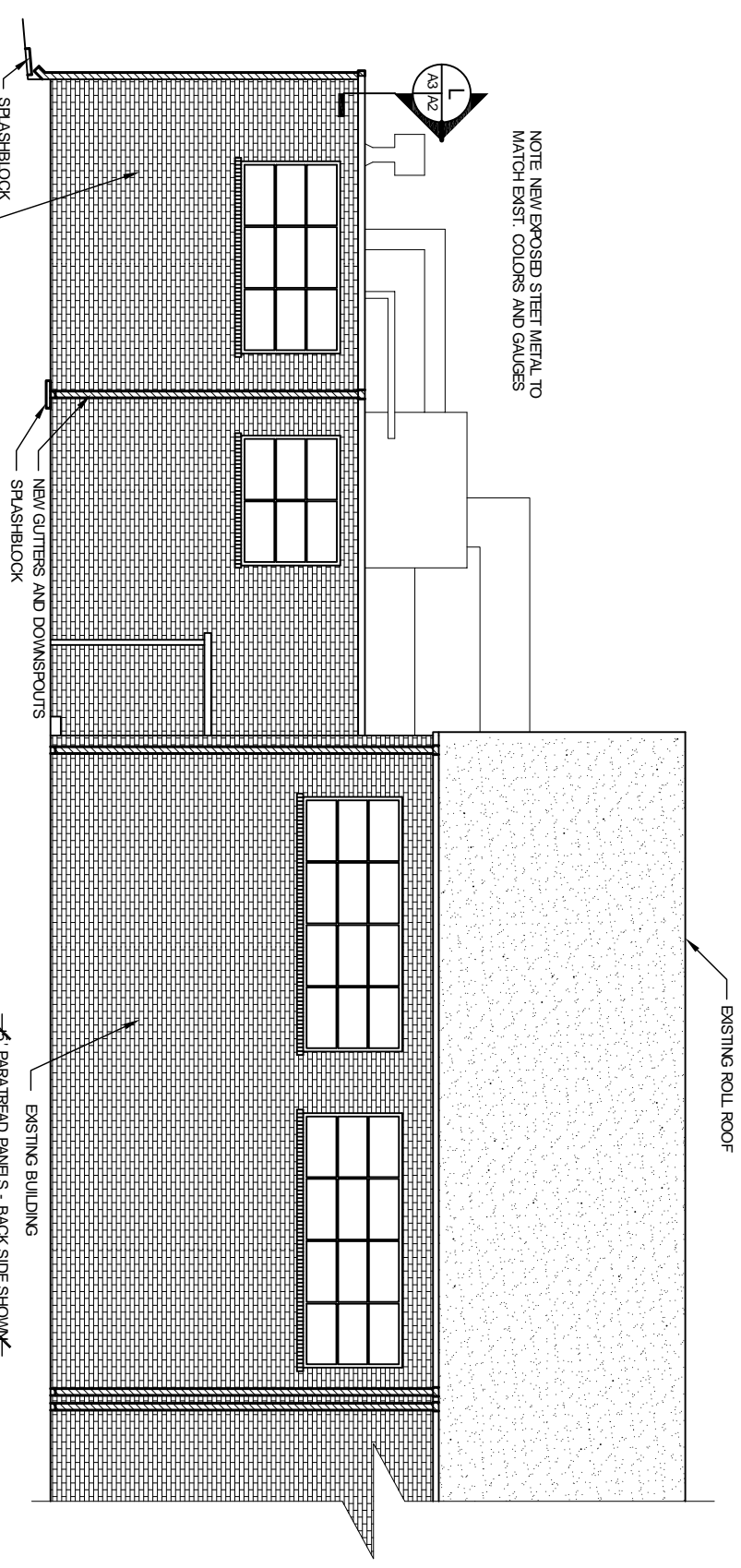
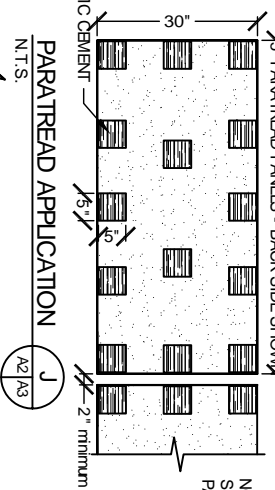


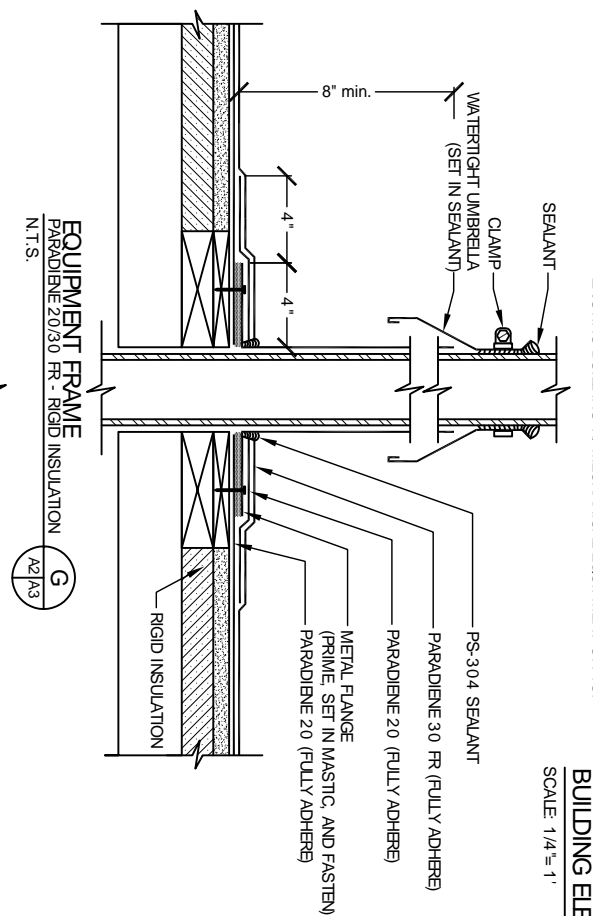
NOTE NEW EXPOSED STEEL METAL TO MATCH EXIST. COLORS AND GALVALS



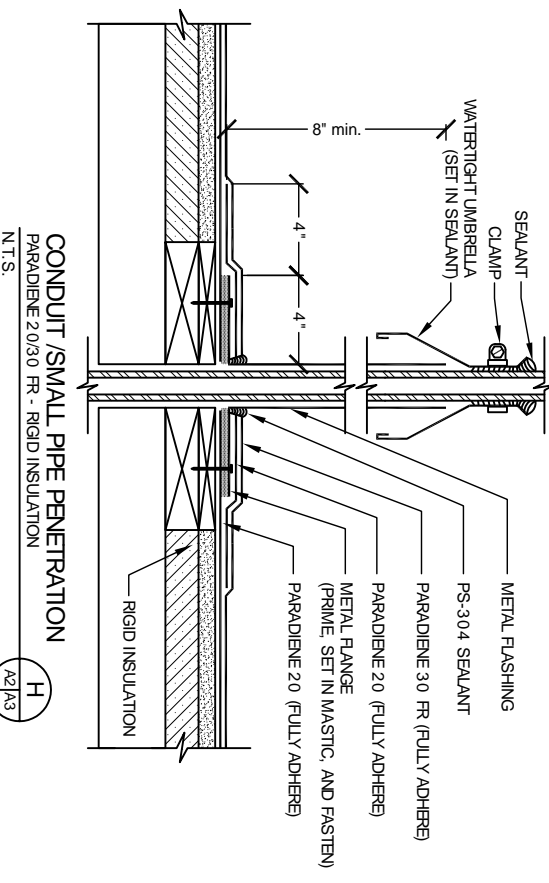
BUILDING ELEVATION
SCALE: 1/4" = 1'



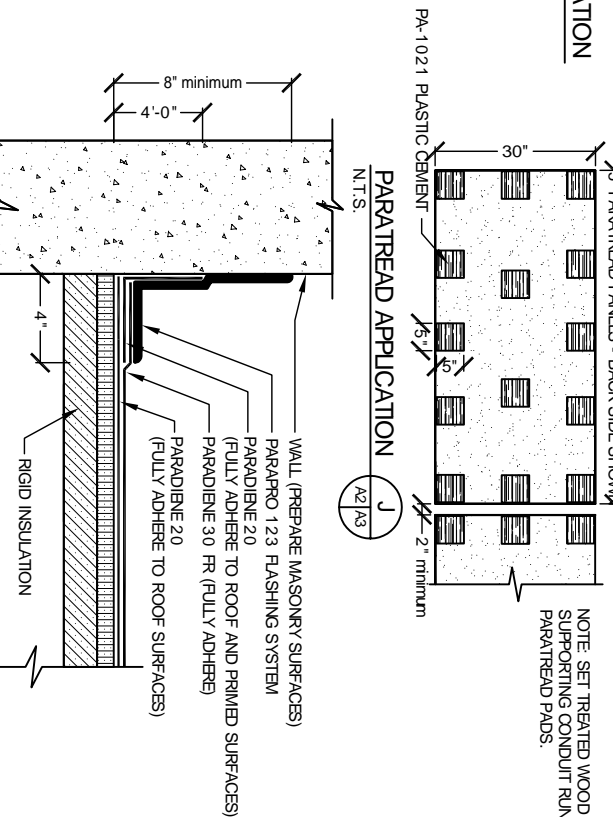
PARATREAD APPLICATION



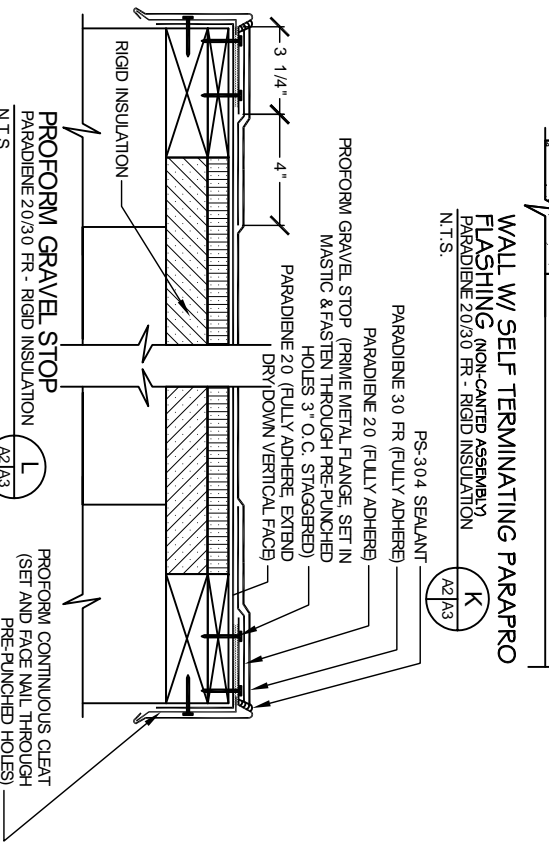
G



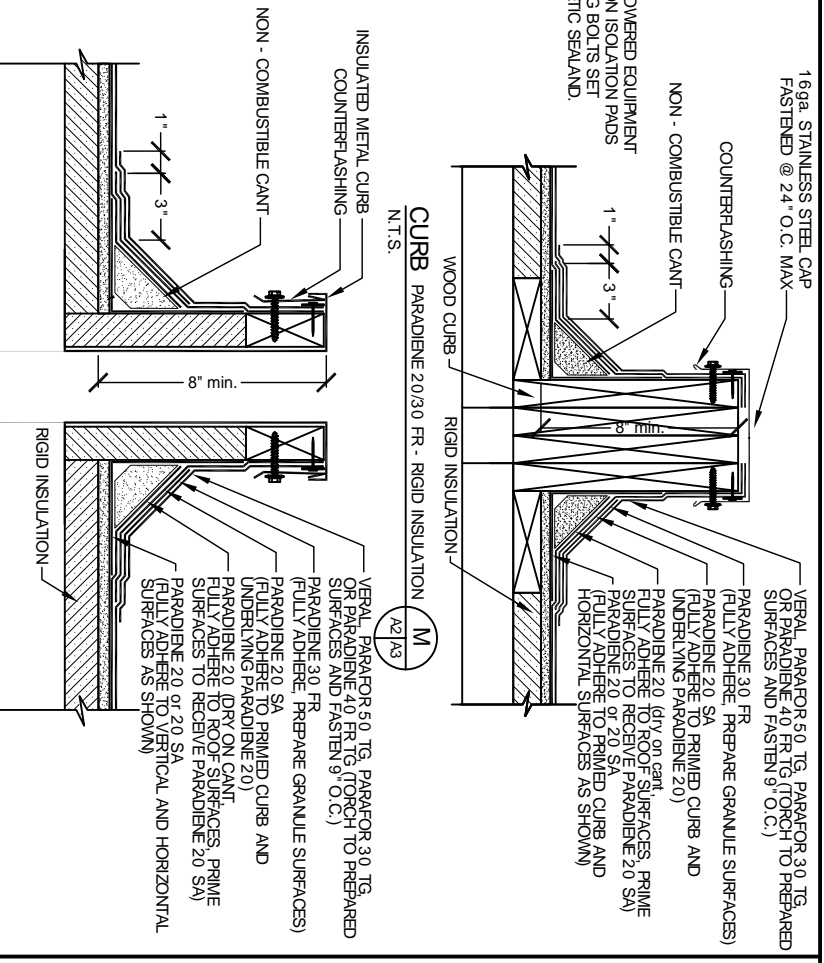
H



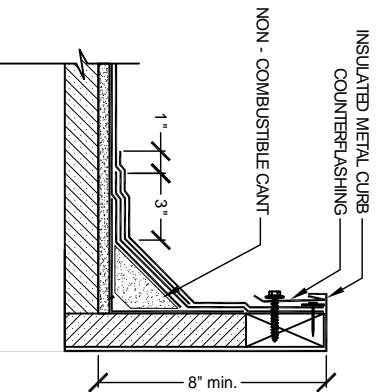
K



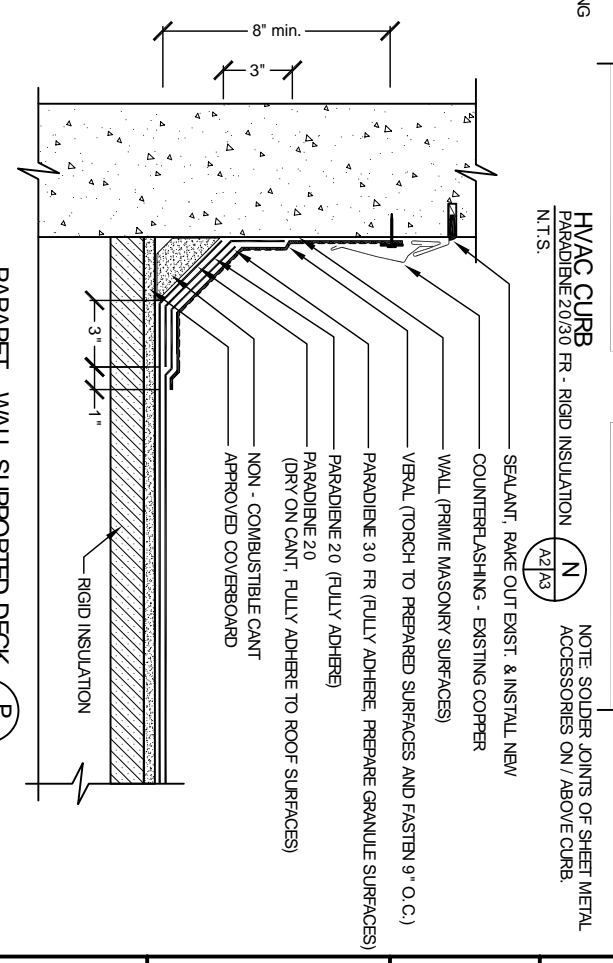
L



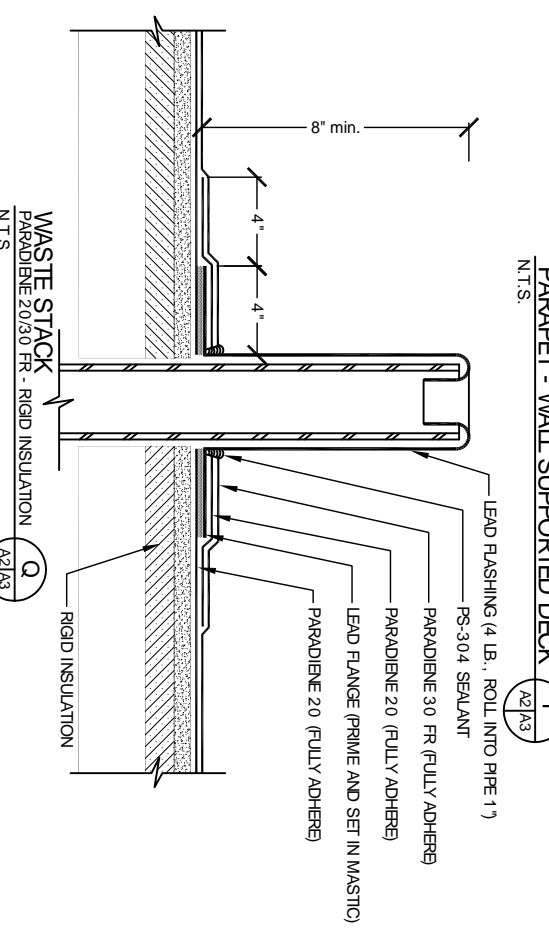
M



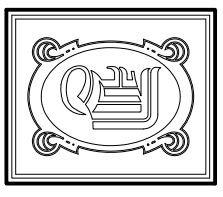
N



P



Q



DAMMON ENGINEERING, INC.

CHIEF ENGINEER
EMMETT DAMMON, P.E.
CHIEF ARCHITECT
ROBERT WILTSE

1095 FLORIDA AVENUE
SUDDLE, LA, 70458
OFFICE: 985-648-5832
FAX: 985-641-5950

WWW.DAMMONENGINEERING.COM
EMAIL: DAMMONR@BELL.SOUTH.NET

ARCHITECTURE
ENGINEERING
STUDIES
PLANNING
INVESTIGATION
EXPERT WITNESS

BUILDING REEROOFINGS

SIXTH WARD
JUNIOR HIGH 'S
CAFETERIUM
& GYMNASIUM
PEARL RIVER, LA

GYMNASIUM ELEVATIONS & DETAILS

REV:	SCALE: AS NOTED
JOB#: 2047	DATE: 4-5-10
SHEET	A-3