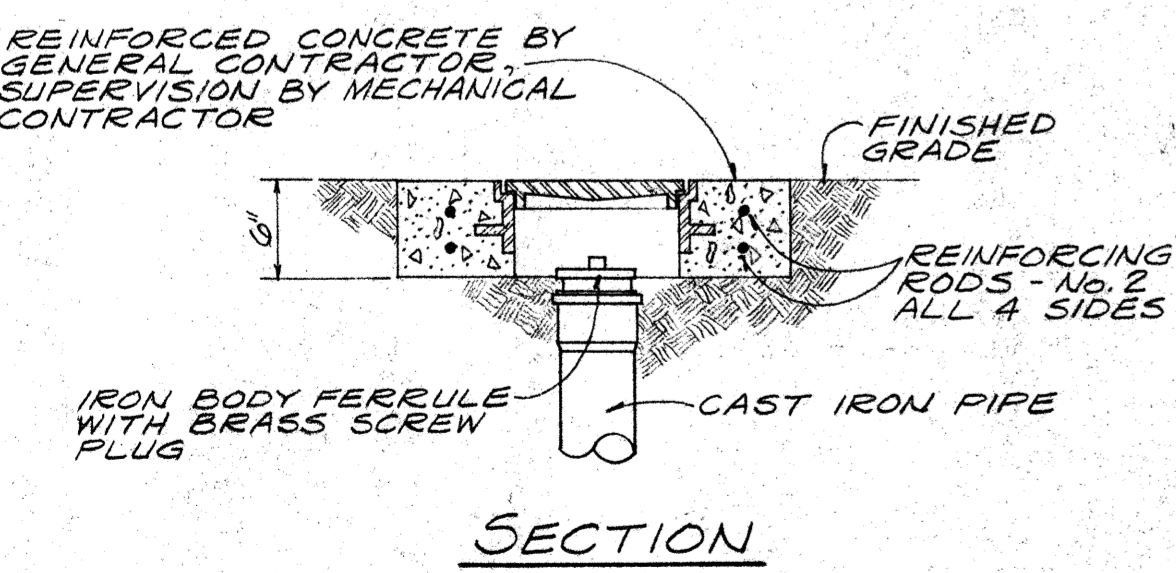
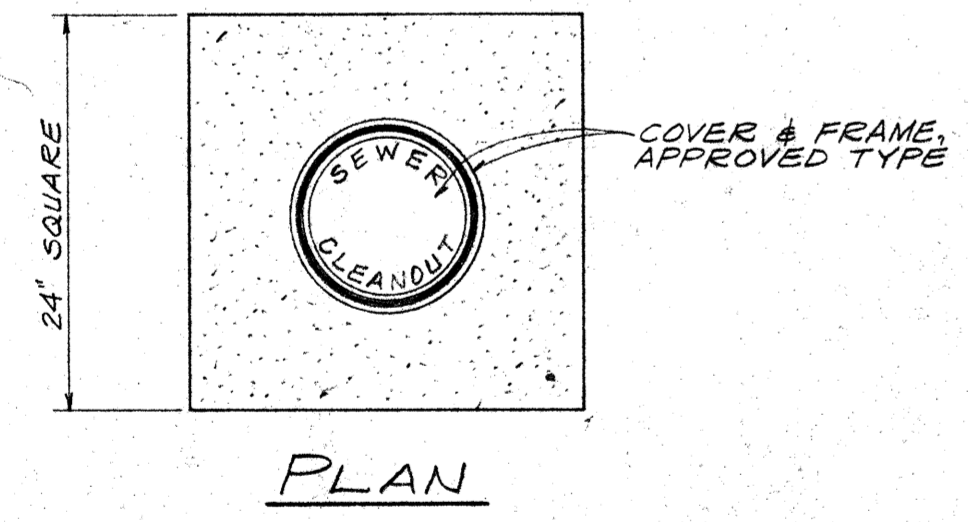
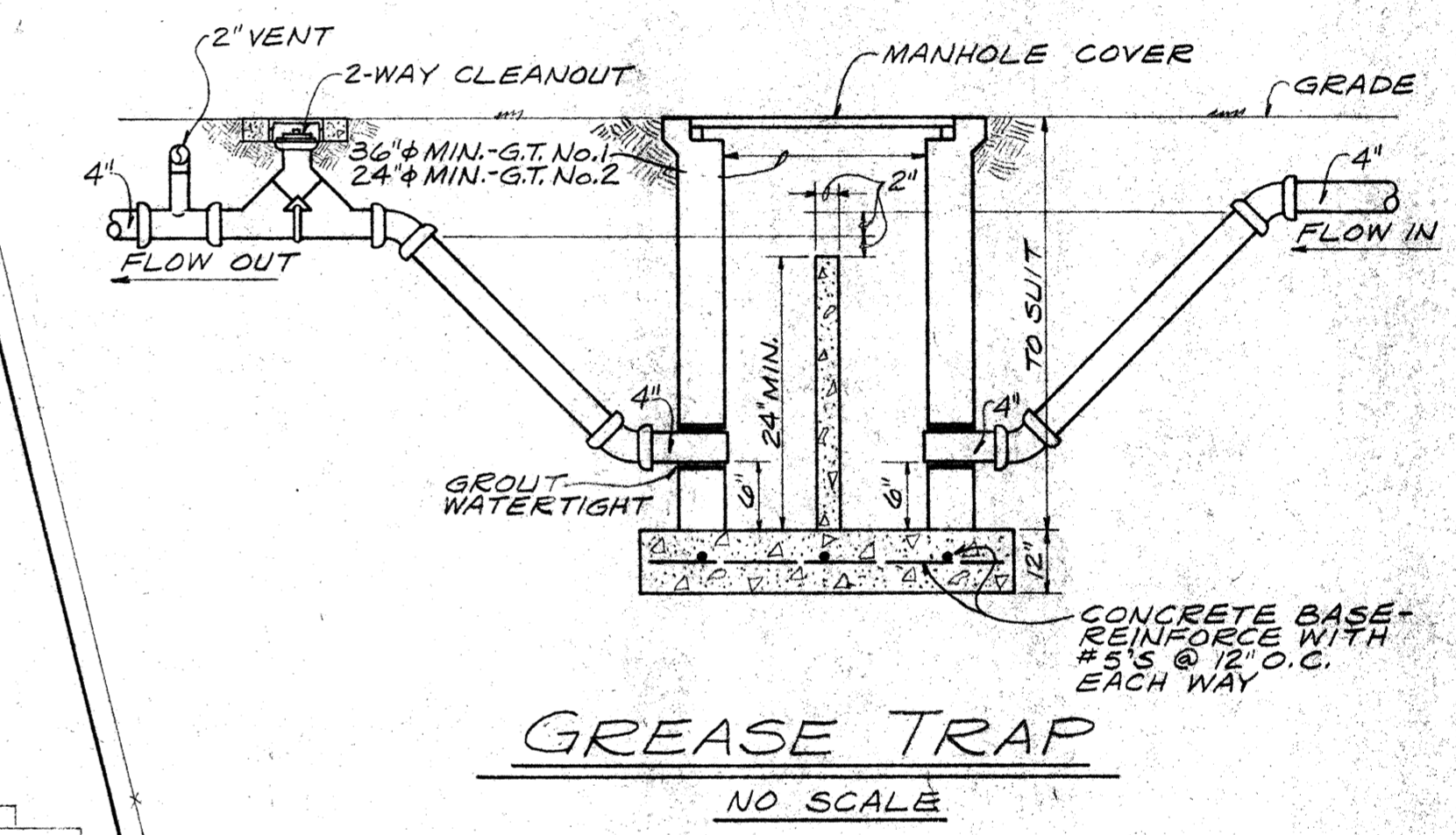
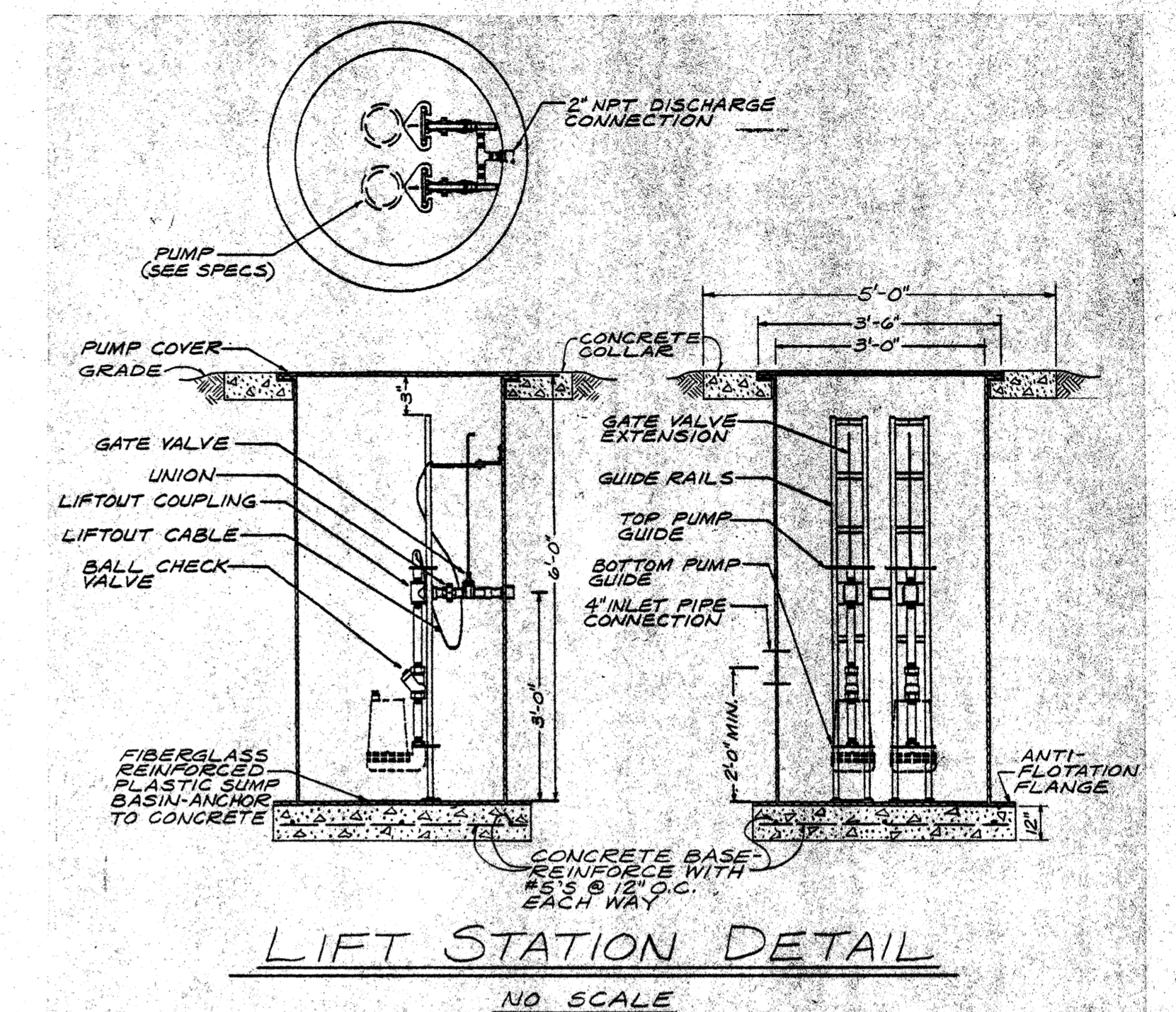
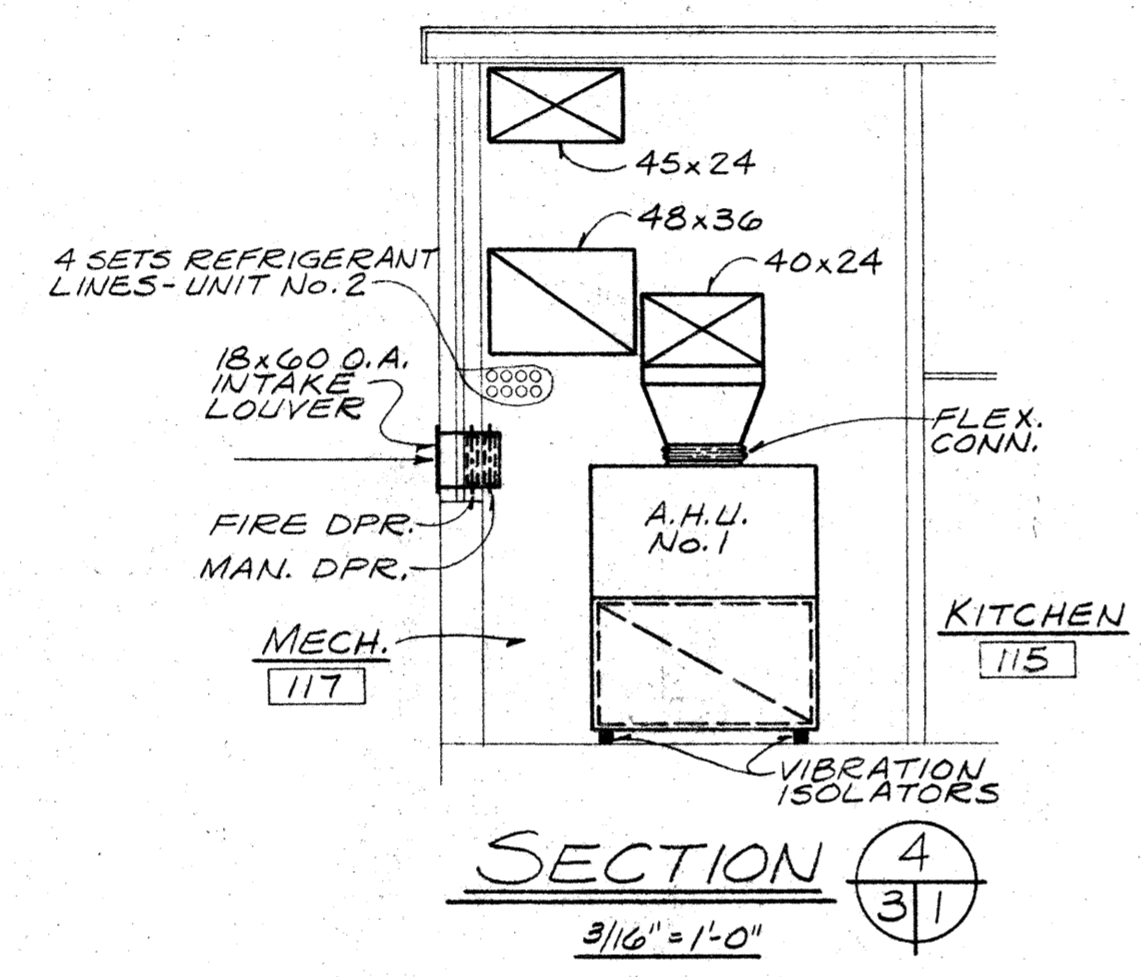
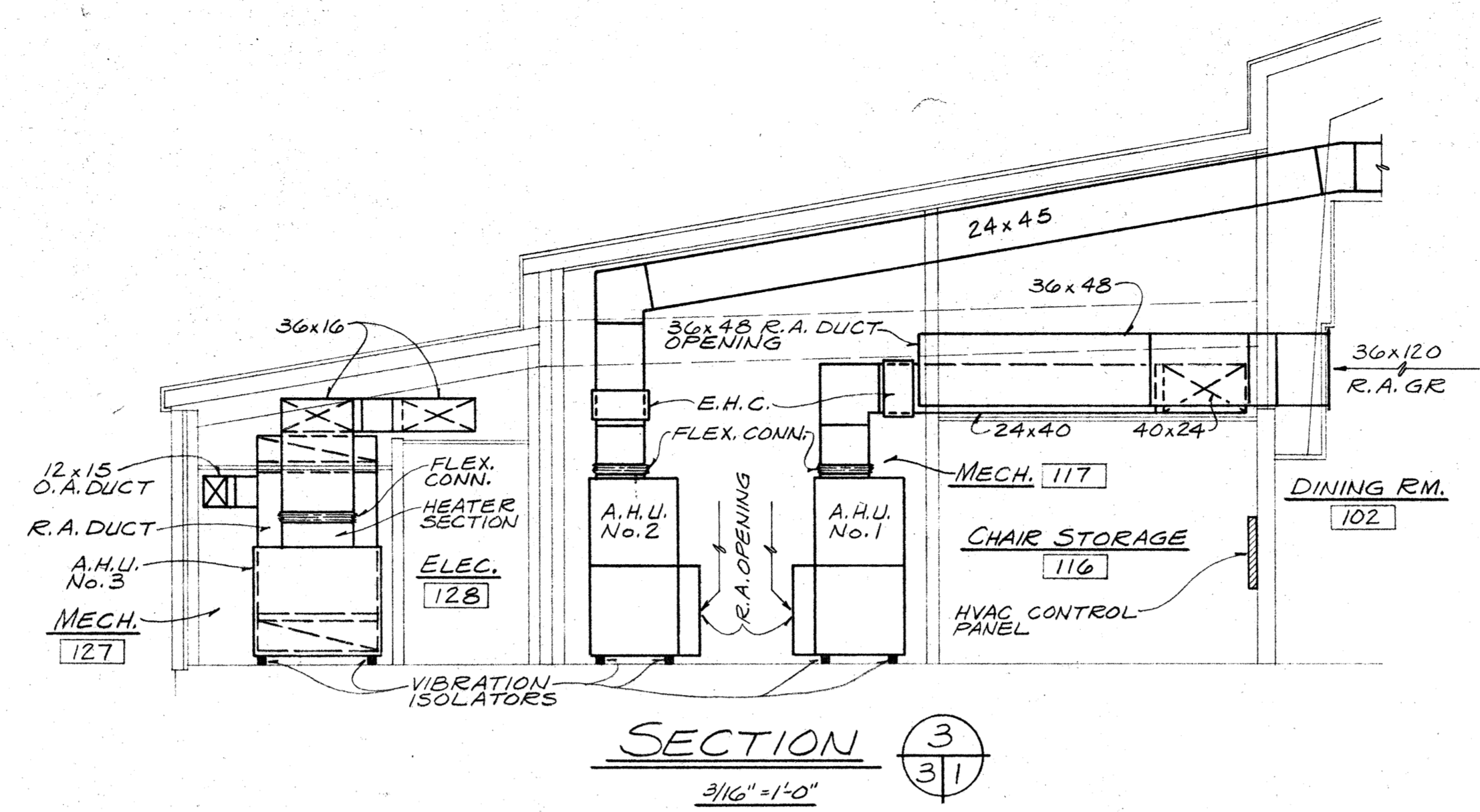


AIR CONDITIONING LEGEND

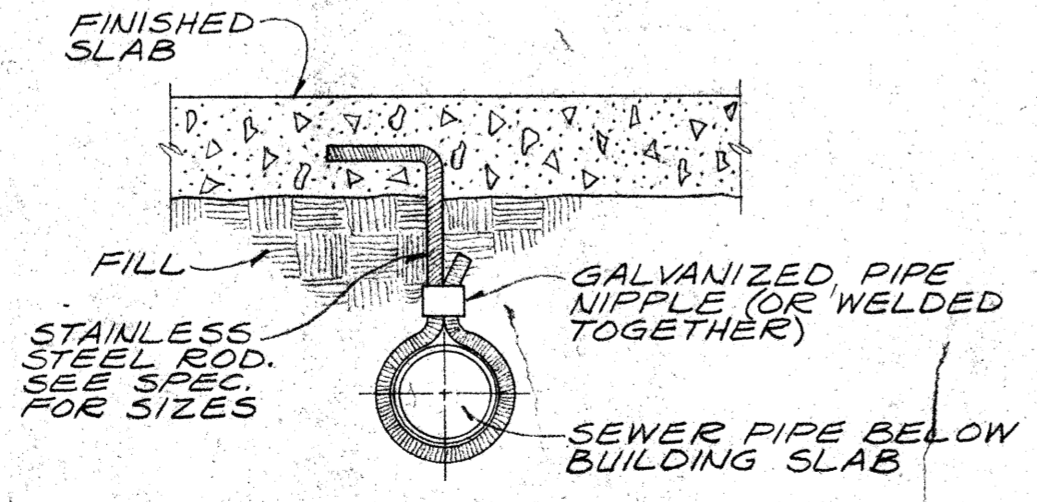
- SUPPLY OR OUTSIDE AIR
- ← RETURN OR EXHAUST AIR
- ▬ SUPPLY OR OUTSIDE AIR DUCT (SECTION)
- ▬ RETURN OR EXHAUST DUCT (SECTION)
- CEILING DIFFUSER (ARROWS INDICATE BLOW IF OTHER THAN 4-WAY)
- ▬ PREINSULATED FLEXIBLE DUCT
- E.H.C. ELECTRIC HEATING COIL
- ⊗ DOOR UNDERCUT BY GENERAL CONTRACTOR
- ⊙ TEMPERATURE SENSOR
- ⊕ FIRESTAT - SET @ 135°F
- D CONDENSATE DRAIN
- RS REFRIGERANT SUCTION (PIPING SHALL BE RUN AND SIZED IN ACCORDANCE WITH MANUFACTURER'S RECOMMENDATIONS)
- RL REFRIGERANT LIQUID
- ⊙ SMOKE DETECTOR

PLUMBING LEGEND

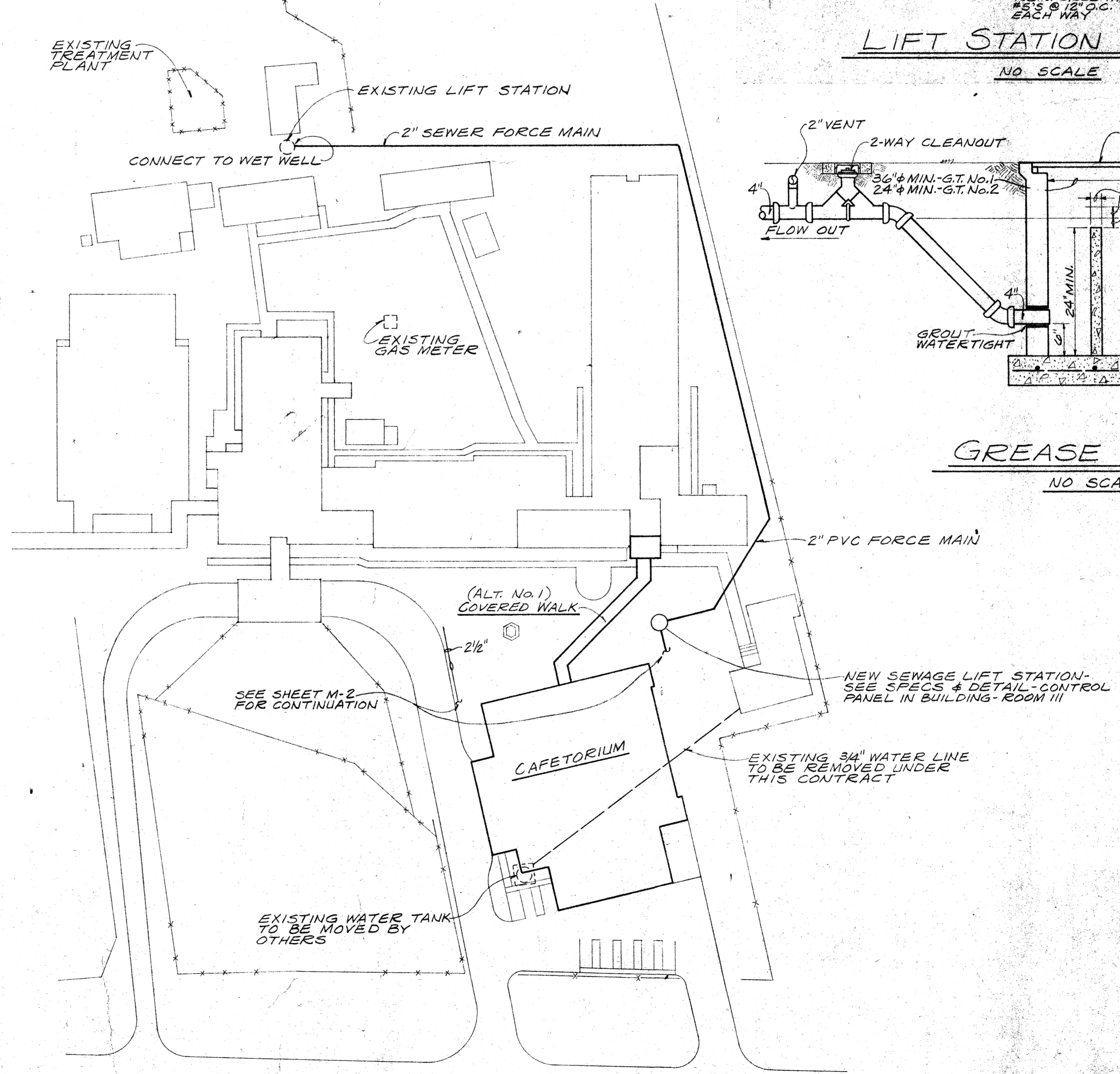
- SOIL & WASTE PIPING
- VENT PIPING
- GL GREASE LINE PIPING
- COLD WATER PIPING
- HOT WATER PIPING -125°
- HOT WATER PIPING -140°
- HOT WATER CIRCULATING PIPING -140°
- G GAS PIPING
- BALL VALVE
- ⊕ BUTTERFLY VALVE
- ⊗ VALVE IN C.I. BOX
- ⊔ CHECK VALVE
- C.O. CLEANOUT
- W.H. WALL HYDRANT
- H.B. HOSE BIBB
- V.T.R. VENT THRU ROOF
- INDICATES ITEMS OF EQUIPMENT FURNISHED UNDER OTHER DIVISIONS OF THE SPECS. BUT ROUGHED-IN FOR AND CONNECTED BY THIS CONTRACTOR



TYPICAL EXTERIOR CLEANOUT DETAIL
NO SCALE

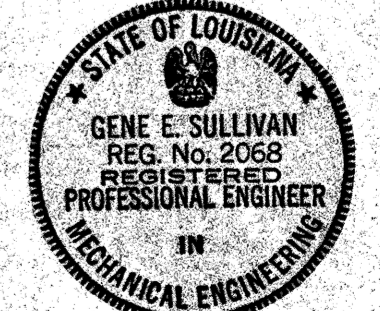


DETAIL OF PIPE HANGING BELOW BUILDING SLAB
NO SCALE



HAROLD BURNS and ASSOCIATES
a joint venture
ALCIATORE ASSOCIATES ARCHITECTS

New Cafetorium
SIXTH WARD JUNIOR HIGH SCHOOL
Louisiana
Pearl River
ST. TAMMANY PARISH SCHOOL BOARD



SULLIVAN ENGINEERS (APC)
PROJECT NO. 9212
American Consulting Engineers Council Member
Supporting Excellence in Engineering

JOB NO. 917
DATE 9-1-92
REVISED

M-1
OF 5